

e-NSC Series

HORIZONTAL CENTRIFUGAL ELECTRIC PUMPS EQUIPPED WITH IE2, IE3 MOTORS

(REG . (EU) 2019/1781)

ErP 2009/125/CE

Xylect

Xylect is a pump selection software with an extensive online database of product information across the entire range of pumps and related products, with multiple search options and helpful project management facilities. The system holds up-to-date product information on thousands of products and accessories.

Xylect is available:
On the website – www.xylect.com

For more information, please, see page 191-192.



Ecodesign Directive 2009/125/CE

The **Directive 2005/32/EC** on energy-using products (**EuP**) and the subsequent **Directive 2009/125/EC** on energy-related products (**ErP**) established the ecodesign requirements for products to reduce their energy consumption and consequently their environmental impact.

These requirements apply to products placed and used in the European Economic Area (European Union plus Iceland, Liechtenstein and Norway) as a stand-alone unit or as integrated parts in other products.

The table shows the Regulations that define the requirements for Lowara products:

Product	Regulations	From	Target
Pumps*	(EU) N. 547/2012	1 January 2015	MEI ≥ 0,4
Circulators**	(EC) N. 641/2009, (EU) N. 622/2012 e (EU) 2019/1781	1 August 2015	EEI < 0,23
Electric motors	(EU) 2019/1781 e 2021/341	1 July 2021	IE2 : three-phase motors with a rated output ≥ 0,12 and < 0,749 kW IE3 : three-phase motors with a rated output ≥ 0,75 and < 1000 kW
Variable speed drives (VSD)***	(EU) 2019/1781 e 2021/341	1 July 2021	IE2

* some types of pump, used for pumping clean water.

** circulators with a rated hydraulic output power of between 1 and 2500 W, designed for use in heating systems or in secondary circuits of cooling distribution systems.

*** variable speed drives with three-phase input and rated output power from 0,12 kW up to 1000 kW, rated for operating with motor included in the same regulations.

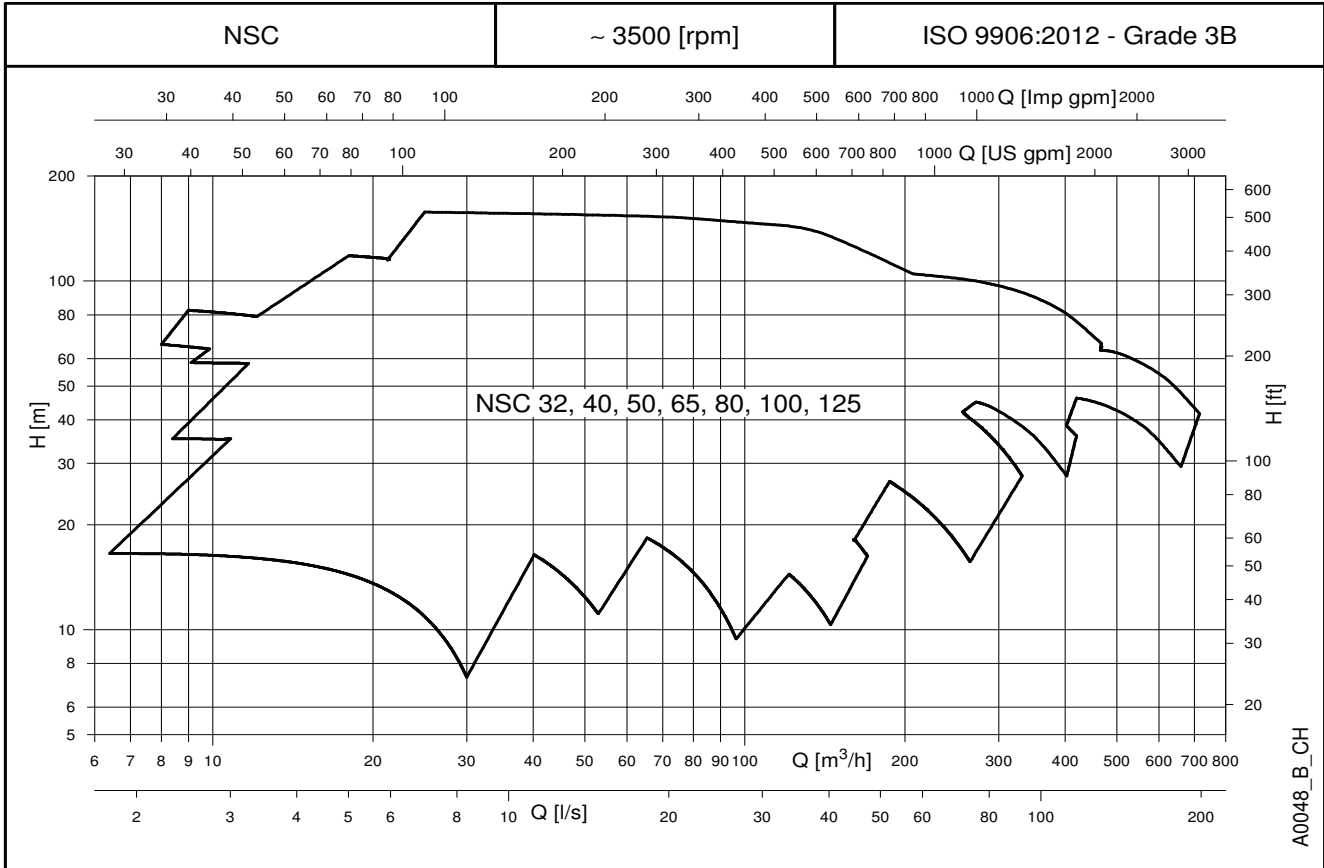
From 1 July 2023 it will be introduced additional requirements.

SUMMARY

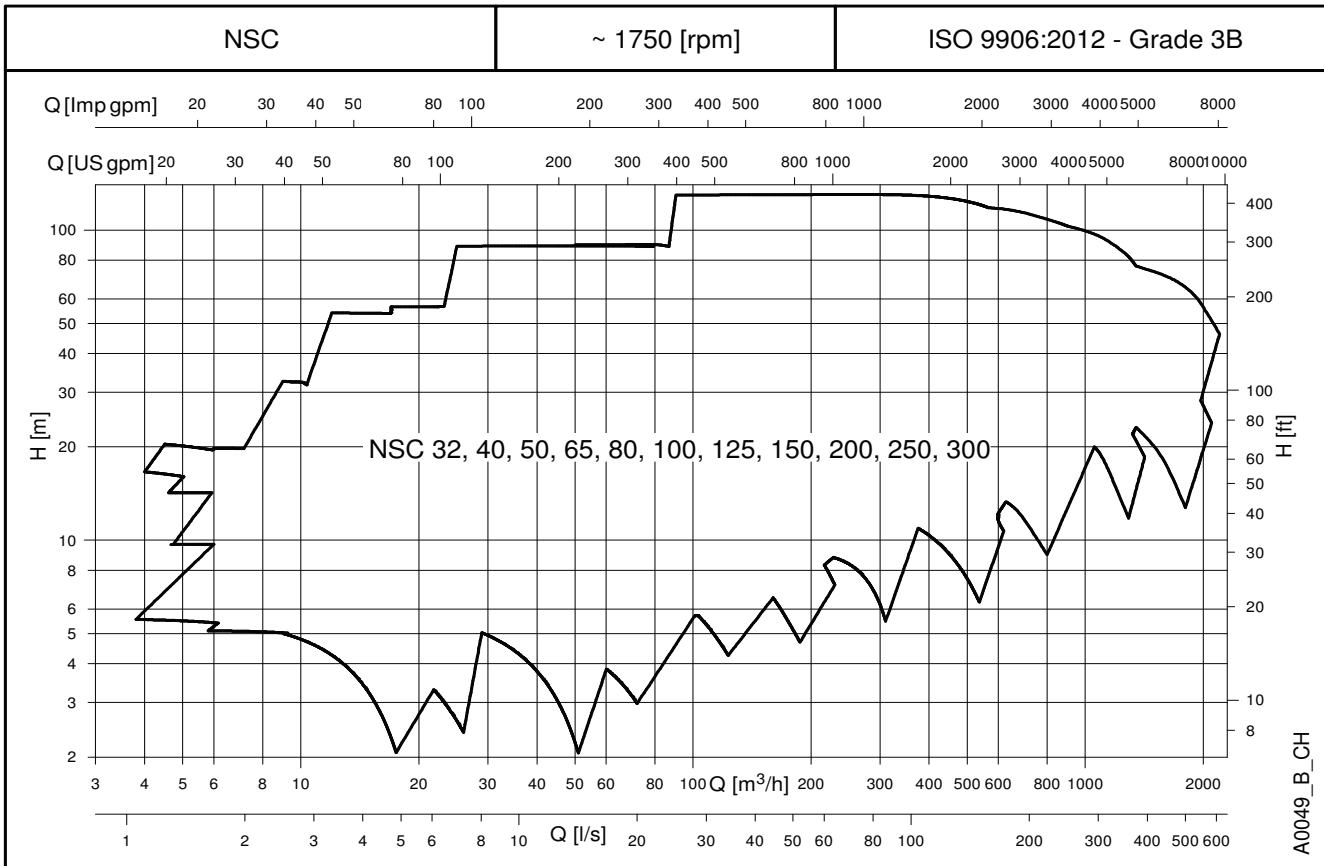
GENERAL INTRODUCTION	5
APPLICATIONS & BENEFITS	6
IDENTIFICATION CODE	8
RATING PLATE	9
LIST OF MODELS AT 60 Hz, 2 POLES.....	10
LIST OF MODELS AT 60 Hz, 4 POLES.....	11
ELECTRIC PUMP CROSS-SECTION AND MAIN COMPONENTS.....	14
MECHANICAL SEALS	21
MOTORS (ErP 2009/125/EC)	25
HYDRAULIC PERFORMANCE RANGE AT 60 Hz, 2 POLES	38
HYDRAULIC PERFORMANCE TABLE AT 60 Hz, 2 POLES.....	39
HYDRAULIC PERFORMANCE RANGE AT 60 Hz, 4 POLES	42
HYDRAULIC PERFORMANCE TABLE AT 60 Hz, 4 POLES.....	43
OPERATING CHARACTERISTICS AT 60 Hz, 2 POLES.....	48
OPERATING CHARACTERISTICS AT 60 Hz, 4 POLES.....	74
DIMENSIONS AND WEIGHTS	121
ACCESSORIES.....	169
REPORTS AND DECLARATIONS	183
TECHNICAL APPENDIX.....	185

e-NSC SERIES

HYDRAULIC PERFORMANCE RANGE AT 60 Hz, 2 POLES



HYDRAULIC PERFORMANCE RANGE AT 60 Hz, 4 POLES



e-NSC SERIES

GENERAL INTRODUCTION

The new **e-NSC** series is the result of the close collaboration between our customers and us; the new range has been redesigned and improved to meet the Commercial Building Services (CBS) requirements, in terms of performances and energy saving.

In addition the new **e-NSC** series can be customized to meet the needs of the Industry segment, keeping the quality in the production and the continuous reliability and robustness in the operation.

Pump design

The new **e-NSC** series is a centrifugal end-suction electro-pump with single-stage (except the two-stage NSC2 models), axial flanged suction port, radial flanged discharge and horizontal shaft. The **e-NSC** pumps have cast iron casing and impeller as standard but are also available in a wide range of materials, from bronze to duplex stainless steel, to allow for various pumping needs.

The pumps are equipped with interchangeable mechanical seals, IE2/IE3 efficiency motors, and are designed with a back pull-out configuration (impeller, adapter, and motor can be extracted without disconnecting the pump body from the piping system).

The **e-NSC** series pumps are available in the following constructions:

Extended shaft

Close-coupled by means of an adapter bracket with an impeller keyed directly to the special motor shaft extension.



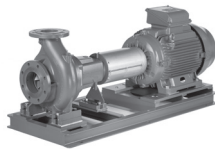
Stub shaft

Rigid-coupled with a bracket, an adapter and a rigid coupling keyed to the standard motor shaft extension.



Frame mounted

Flexible-coupled with bracket, support, flexing coupling (special version with spacer on demand), aligning and anchoring base.



Bare shaft pump

Version without driver suitable to be coupled with a standard electric motor.



Hydraulic specifications

- Maximum delivery: up to **715** m³/h for 2 poles range.
up to **2200** m³/h for 4 poles range.
- Maximum head: up to **155** m for 2 poles range.
up to **130** m for 4 poles range.
- Hydraulic performance compliant with ISO 9906:2012 (Grade 3B).
- Fluid temperature range:
 - standard version (with mechanical seal BQ7EGG-WA and EPDM gasket) **-25** to **+120 °C**.
 - versions on request (depending on mechanical seal and gasket) **-20*** or **-25** to **+120** or **+140 °C**.
- Maximum operating pressure:
 - standard version with mechanical seal BQ7EGG-WA and cast iron casing: **16 bar** @ 90 °C and 10 bar @ 120 °C
 - version with other mechanical seal and casing of cast iron: **16 bar** @ 120 °C and 14,9 bar @ 140 °C
 - cast ductile iron: **16 bar** @ 120 °C and 15,6 bar @ 140 °C
 - stainless steel: **16 bar** @ 50 °C and 14,8 bar @ 140 °C
 - duplex: **16 bar** @ 140 °C
 - NSC2 models with mechanical seal BQ7EGG-WA and cast iron casing: **12 bar** @ 110 °C and 10 bar @ 120 °C
 - see pages [21-24](#) for more information.

* Fluoro-elastomer: FPM (old ISO), FKM (ASTM & new ISO).

- Connection dimensions according to EN 733 for models 32-125/200, 40-125/250, 50-125/250, 65-125/315, 80-160/315, 100-200/400, 125-250/400, 150-315/400

Motor specifications

- Squirrel cage in short circuit enclosed construction with external ventilation (TEFC).
- 2-pole and 4-pole ranges.
- **IP55** protection degree as motor (EN 60034-5), IPX5 as electro-pump (EN 60529).
- Performances according to EN 60034-1.
- **IE2** efficiency level (three-phase 0,12-0,749 kW), **IE3** efficiency level (three-phase 0,75 to 1000 kW).
- **155 (F)** insulation class.
- Standard voltage:
 - 1 x 220-230 V 60 Hz.
 - 3 x 220-230/380-400 V 60 Hz.
 - 3 x 220/380 and 3 x 380/660 V 60 Hz.
- Maximum ambient temperature: 40°C or 50°C (depending on model and nominal power).

Note

- Anti-clockwise rotation when facing pump's suction port.
- Pump does not include counter-flanges.

e-NSC SERIES for COMMERCIAL BUILDING SERVICES (CBS) APPLICATIONS & BENEFITS

Applications

The **e-NSC** series is suitable for many different applications demanding reliable and efficient products that require constant or variable duty points in cost saving operation.

The e-NSC Series can be used for the following CBS applications:

- **HVAC**
 - Liquid transfer in heating systems.
 - Liquid transfer in air-conditioning systems.
 - Liquid transfer in ventilation systems.
- **Water Supply**
 - Pressure boosting in commercial buildings.
 - Irrigation systems.
 - Water transfer for green houses.
- **Fire Fighting**



Benefits

The e-NSC Series permit to achieve the following benefits.

- **Performances:** the e-NSC pumps are equipped with high efficiency motors (IE2/IE3) and with the right hydraulic coverage for CBS applications. The standard full cast iron version with PN16 *, 140 °C * maximum fluid temperature and EPDM elastomer is exactly what the CBS Market needs.
- **Reliability:** the high quality in production, the robust construction and operation, the easily interchangeable mechanical seals, and wear rings guarantee a continuous operation without faults and a shorter down time for maintenance.
- **Versatility:** beside the standard offer, the e-NSC series is available in many different material configurations for casing, impeller, and elastomers as well as different construction methods to address a wide range of applications.
- **Total cost ownership:** the best hydraulic and electric efficiency, the easy and quick maintenance, permit to reduce the operation and maintenance cost and to save energy when the pump is working.
- **Potable water use:** All pumps equipped with standard mechanical seal are certified for drinking water use (ACS and D.M.174/04).
- **Pre-post sales support:** we are continuously working close to our customers to help them in selecting the right pump for the specific application. An improved user-friendly selection software improved with many selection tools is available on the website. Experienced engineers are fully dedicated to big projects for Municipality.

Features

- Discharge ports DN32 to DN300 *.
- Wide performance range up to 155 m head and 2200 m³/h flow.
- Nominal pressure of 16 bar *.
- Wide range of temperatures for pumped liquids: -25°C to +140°C *.
- Wide range of materials for many different kinds of pumped liquid.
- Wide range of voltages.
- High performance motors (IE2/IE3).

* NSC2 models: suction 2", discharge 1¼", PN12, 120 °C.

e-NSC SERIES for INDUSTRY APPLICATIONS & BENEFITS

Applications

The e-NSC series and the different available configurations and standard options have been designed to cover a wide range of applications in the Industry segment. The e-NSC series can be installed in machines where compactness and high performances are a must or within industrial processes where the user looks for a robust and reliable design for the handling of many different liquids.

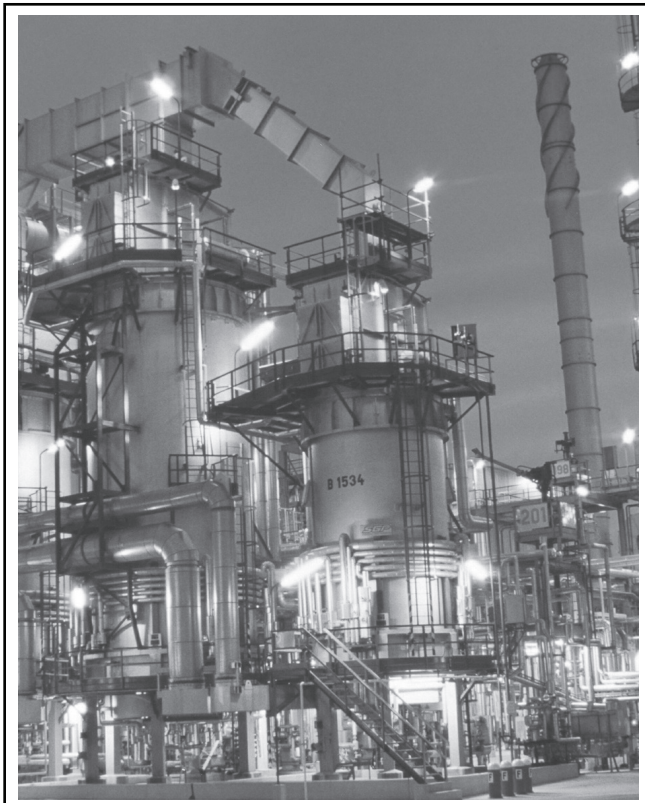
The e-NSC series can be used for the following Industry applications:

- **Process**
 - Process cooling
 - Process heating
 - Heat recovery
- **Water Supply**
 - Water boosting
 - Water treatment
 - Washing and cleaning

Benefits

The e-NSC Series permit to achieve the following benefits:

- **Efficiency:** new designed high efficiency hydraulics, IE2/IE3 motors, sets the basis for very low operation costs.
- **Reliability:** various mechanical seal materials and options are available to meet the exact needs of your specific application. The e-NSC is also designed for easy maintenance and all service points are easily reachable to reduce downtime.
- **Know How:** the perfect configuration for an application can be made with the selection tool or with the support of our industrial experienced employees.
- **A global platform:** the e-NSC series are assembled in different factories across the world to make the e-NSC always "closer" to our customer. Beyond our commitment to reduce the carbon footprint of e-NSC, this global platform secures the availability of the same design with the same quality processes everywhere.

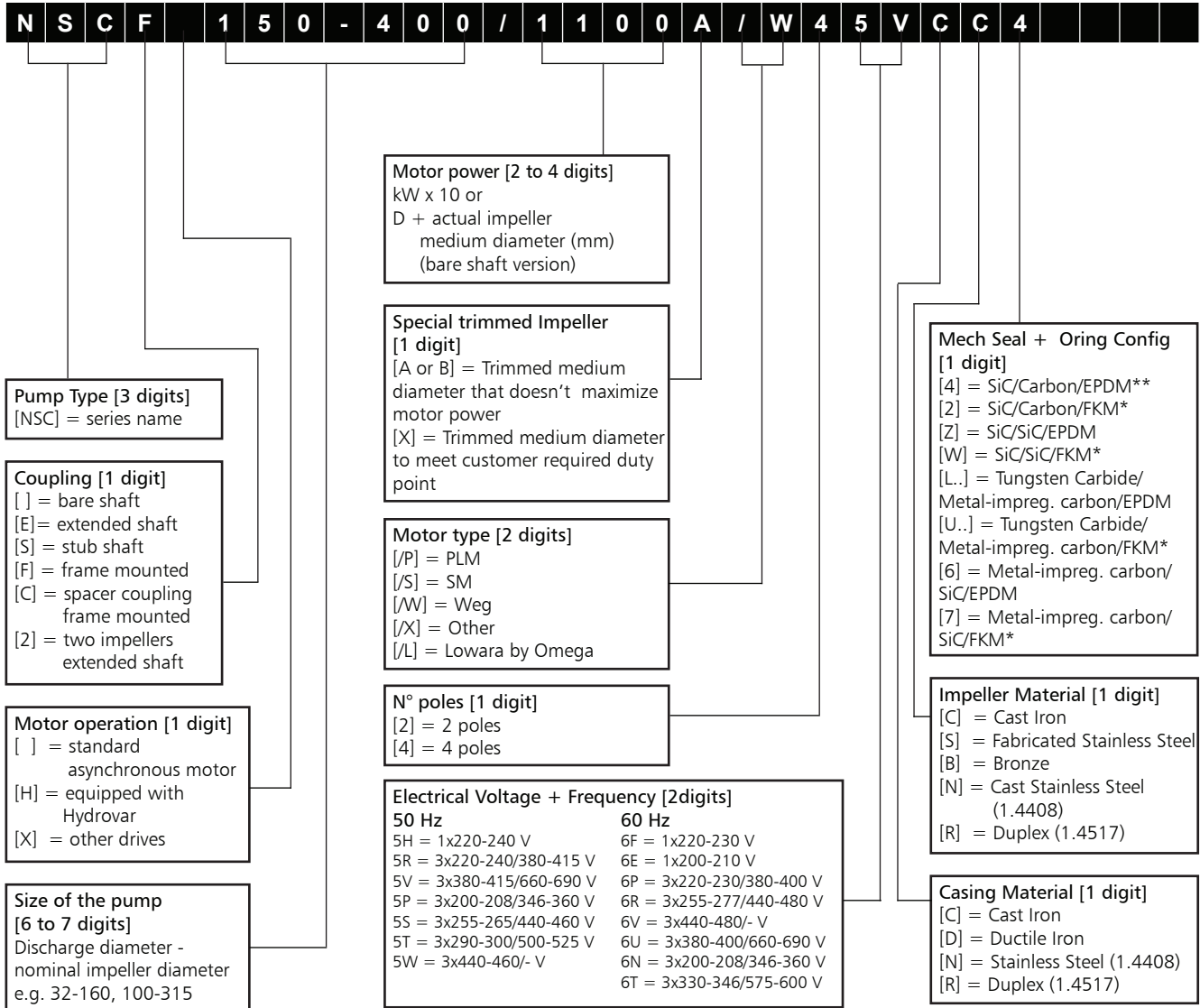


Features

- Discharge ports DN32 to DN300 *.
- Wide performance range up to 155 m head and 2200 m³/h flow.
- Nominal pressure of 16 bar *.
- Wide range of temperatures for pumped liquids: -25°C to +140°C *.
- Wide range of materials for many different kinds of pumped liquid.
- Wide range of voltages.
- High performance motors (IE2/IE3).

* NSC2 models: suction 2", discharge 1¼", PN12, 120 °C.

e-NSC SERIES IDENTIFICATION CODE



* = FPM (old ISO), FKM (ASTM & new ISO)
 ** [4] = SiC/Metal-impreg. carbon/EPDM for RR version

EXAMPLES

NSCS 100-250/900/L26UCC4

End-suction, electric pump with stub shaft coupling, DN 100 nominal discharge port, 250 mm nominal impeller diameter, 90 kW rated motor power, Lowara by Omega IE3 model, 2-pole, 60 Hz 380-400/660-690 V, cast iron casing, cast iron impeller, Silicon carbide/Carbon/EPDM mechanical seal.

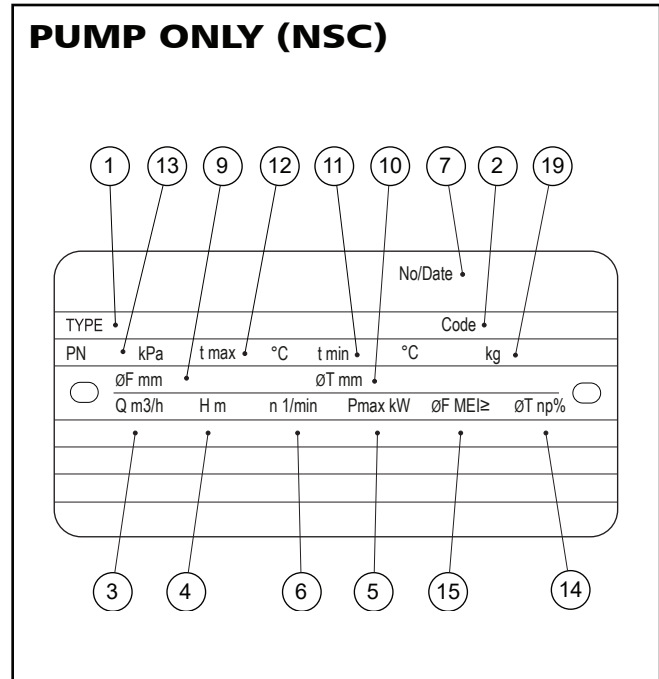
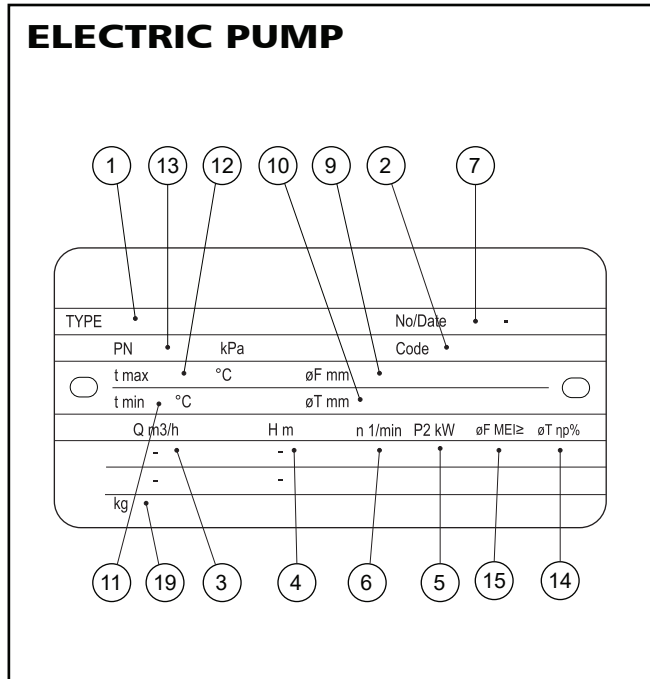
NSCF 150-400/1100/L46UCC4

End-suction, electric pump with frame mounted coupling, DN 150 nominal discharge port, 400 mm nominal impeller diameter, 110 kW rated motor power, Lowara by Omega IE3 model, 4-pole, 60 Hz 380-400/660-690 V, cast iron casing, cast iron impeller, Silicon carbide/Carbon/EPDM mechanical seal.

NSC 150-400/D423CC4

End-suction, bare shaft pump, DN 150 nominal discharge port, 400 mm nominal impeller diameter, 423 mm actual impeller medium diameter, cast iron casing, cast iron impeller, Silicon carbide/ Silicon carbide/Carbon/EPDM mechanical seal.

**e-NSC SERIES
RATING PLATE**



LEGEND

- 1 - Electric pump unit type
- 2 - Electric pump unit code
- 3 - Flow range
- 4 - Head range
- 5 - Nominal or maximum pump power
- 6 - Speed
- 7 - Serial number, or order number + order position number
- 9 - Full impeller diameter (only filled in for trimmed impellers)
- 10 - Trimmed impeller diameter (only filled in for trimmed impellers)
- 11 - Minimum operating liquid temperature
- 12 - Maximum operating liquid temperature
- 13 - Maximum operating pressure
- 14 - Hydraulic efficiency in best efficiency point (only 50 Hz)
- 15 - Minimum efficiency index MEI, as per Regulation (EU) No 547/2012 (only 50 Hz)
- 19 - Weight

LEGEND

- 1 - Pump type
- 2 - Pump code
- 3 - Flow range
- 4 - Head range
- 5 - Maximum absorbed pump power
- 6 - Speed
- 7 - Serial number, or order number + order position number
- 9 - Full impeller diameter (only filled in for trimmed impellers)
- 10 - Trimmed impeller diameter (only filled in for trimmed impellers)
- 11 - Minimum operating liquid temperature
- 12 - Maximum operating liquid temperature
- 13 - Maximum operating pressure
- 14 - Hydraulic efficiency in best efficiency point (only 50 Hz)
- 15 - Minimum efficiency index MEI, as per Regulation (EU) No 547/2012 (only 50 Hz)
- 19 - Weight

Note for electric pump unit: refer to motor data plate for electrical data.

e-NSC SERIES LIST OF MODELS AT 60 Hz, 2 POLES

SIZE NSC..2	kW	VERSION				
		NSC2	NSCE	NSCS	NSCF	NSCC
32-125/15(*)	1,5	-	•	•	•	•
32-125/22(*)	2,2	-	•	•	•	•
32-125/30	3	-	•	•	•	•
32-125/40	4	-	•	•	•	•
32-125/55	5,5	-	•	•	•	•
32-160/40	4	-	•	•	•	•
32-160/55	5,5	-	•	•	•	•
32-160/75	7,5	-	•	•	•	•
32-160/92	9,2	-	•	-	-	-
32-160/110A	11	-	-	•	•	•
32-200/75	7,5	-	•	•	•	•
32-200/92	9,2	-	•	-	-	-
32-200/110A	11	-	-	•	•	•
32-200/110	11	-	•	•	•	•
32-250/55	5,5	•	-	-	-	-
32-250/75	7,5	•	-	-	-	-
32-250/110	11	-	•	•	•	•
32-250/150	15	-	•	•	•	•
32-250/185	18,5	-	•	•	•	•
32-250/220	22	-	•	•	•	•
40-125/30	3	-	•	•	•	•
40-125/40	4	-	•	•	•	•
40-125/55	5,5	-	•	•	•	•
40-125/75	7,5	-	•	•	•	•
40-160/55	5,5	-	•	•	•	•
40-160/75	7,5	-	•	•	•	•
40-160/92	9,2	-	•	-	-	-
40-160/110A	11	-	-	•	•	•
40-160/110	11	-	•	•	•	•
40-200/92	9,2	-	•	-	-	-
40-200/110A	11	-	-	•	•	•
40-200/110	11	-	•	•	•	•
40-200/150	15	-	-	•	•	•
40-200/185	18,5	-	-	•	•	•
40-250/185	18,5	-	•	•	•	•
40-250/220	22	-	•	•	•	•
40-250/300	30	-	-	•	•	•
40-250/370	37	-	-	•	•	•
50-125/55	5,5	-	•	•	•	•
50-125/75	7,5	-	•	•	•	•
50-125/92	9,2	-	•	-	-	-
50-125/110A	11	-	-	•	•	•
50-125/110	11	-	•	•	•	•
50-160/92	9,2	-	•	-	-	-
50-160/110A	11	-	-	•	•	•
50-160/110	11	-	•	•	•	•
50-160/150	15	-	-	•	•	•
50-160/185	18,5	-	-	•	•	•
50-200/185	18,5	-	•	•	•	•
50-200/220	22	-	•	•	•	•
50-200/300	30	-	-	•	•	•

• = Available

Nsc1_models-2p60-en_a_sc

NSC2 : Two impellers Extended shaft.

NSCE : Extended shaft.

NSCS : Stub shaft.

NSCF : Frame mounted.

NSCC : Frame mounted with spacer coupling.

SIZE NSC..2	kW	VERSION			
		NSCE	NSCS	NSCF	NSCC
50-250/220	22	•	•	•	•
50-250/300	30	-	•	•	•
50-250/370	37	-	•	•	•
50-315/550	55	-	•	•	•
50-315/750	75	-	•	•	•
65-125/75	7,5	•	•	•	•
65-125/92	9,2	•	-	-	-
65-125/110A	11	-	•	•	•
65-125/110	11	•	•	•	•
65-160/150	15	•	•	•	•
65-160/185	18,5	•	•	•	•
65-160/220	22	•	•	•	•
65-160/300	30	-	•	•	•
65-200/220	22	•	•	•	•
65-200/300	30	-	•	•	•
65-200/370	37	-	•	•	•
65-250/450	45	-	•	•	•
65-250/550	55	-	•	•	•
65-250/750	75	-	•	•	•
65-315/750	75	-	•	•	•
65-315/900	90	-	•	•	•
65-315/1100	110	-	-	•	•
80-160/185	18,5	•	•	•	•
80-160/220	22	•	•	•	•
80-160/300	30	-	•	•	•
80-160/370	37	-	•	•	•
80-200/450	45	-	•	•	•
80-200/550	55	-	•	•	•
80-200/750	75	-	•	•	•
80-250/550	55	-	•	•	•
80-250/750	75	-	•	•	•
100-160/300	30	-	•	•	•
100-160/370	37	-	•	•	•
100-160/450	45	-	•	•	•
100-160/550	55	-	•	•	•
100-200/550	55	-	•	•	•
100-200/750	75	-	•	•	•
100-200/900	90	-	•	•	•
100-200/1100	110	-	-	•	•
100-250/900	90	-	•	•	•
100-250/1100	110	-	-	•	•
125-200/750	75	-	•	•	•
125-200/900	90	-	•	•	•
125-200/1100	110	-	-	•	•

(*) Models available also in single-phase version.

e-NSC SERIES

LIST OF MODELS AT 60 Hz, 4 POLES

SIZE NSC..4	kW	VERSION				
		NSC2	NSCE	NSCS	NSCF	NSCC
32-125/02	0,25	-	•	-	-	-
32-125/03	0,37	-	•	-	-	-
32-125/05	0,55	-	•	•	-	-
32-125/07	0,75	-	•	•	•	•
32-160/05	0,55	-	•	•	-	-
32-160/07	0,75	-	•	•	•	•
32-160/11	1,1	-	•	•	•	•
32-200/11	1,1	-	•	•	•	•
32-200/15	1,5	-	•	•	•	•
32-200/22	2,2	-	-	•	•	•
32-250/11A	1,1	•	-	-	-	-
32-250/11	1,1	•	-	-	-	-
32-250/22	2,2	-	•	•	•	•
32-250/30A	3	-	•	•	•	•
32-250/30	3	-	•	•	•	•
32-250/40	4	-	•	•	•	•
40-125/03	0,37	-	•	-	-	-
40-125/05	0,55	-	•	•	-	-
40-125/07	0,75	-	•	•	•	•
40-125/11	1,1	-	•	•	•	•
40-160/07	0,75	-	•	•	•	•
40-160/11	1,1	-	•	•	•	•
40-160/15A	1,5	-	•	•	•	•
40-160/15	1,5	-	•	•	•	•
40-200/15	1,5	-	•	•	•	•
40-200/22	2,2	-	-	•	•	•
40-200/30	3	-	-	•	•	•
40-250/22	2,2	-	•	•	•	•
40-250/30	3	-	•	•	•	•
40-250/40	4	-	•	•	•	•
40-250/55	5,5	-	•	•	•	•
50-125/07	0,75	-	•	•	•	•
50-125/11A	1,1	-	•	•	•	•
50-125/11	1,1	-	•	•	•	•
50-125/15	1,5	-	•	•	•	•
50-160/11	1,1	-	•	•	•	•
50-160/15	1,5	-	•	•	•	•
50-160/22	2,2	-	-	•	•	•
50-160/30	3	-	-	•	•	•
50-200/22	2,2	-	•	•	•	•
50-200/30A	3	-	•	•	•	•
50-200/30	3	-	•	•	•	•
50-200/40	4	-	•	•	•	•
50-250/40	4	-	•	•	•	•
50-250/55	5,5	-	•	•	•	•
50-250/75	7,5	-	•	•	•	•

• = Available

Nsc1_models-4p60-en_c_sc

SIZE NSC..4	kW	VERSION			
		NSCE	NSCS	NSCF	NSCC
50-315/75	7,5	-	•	•	•
50-315/110	11	-	•	•	•
50-315/150	15	-	•	•	•
65-125/11A	1,1	•	•	•	•
65-125/11	1,1	•	•	•	•
65-125/15	1,5	•	•	•	•
65-125/22	2,2	-	•	•	•
65-160/22A	2,2	•	•	•	•
65-160/22	2,2	•	•	•	•
65-160/30	3	•	•	•	•
65-160/40	4	•	•	•	•
65-200/30	3	•	•	•	•
65-200/40	4	•	•	•	•
65-200/55A	5,5	•	•	•	•
65-200/55	5,5	•	•	•	•
65-200/75	7,5	•	•	•	•
65-250/110A	11	-	•	•	•
65-250/110	11	-	•	•	•
65-315/110	11	-	•	•	•
65-315/150	15	-	•	•	•
65-315/185	18,5	-	•	•	•
65-315/220	22	-	•	•	•
80-160/22	2,2	•	•	•	•
80-160/30	3	•	•	•	•
80-160/40	4	•	•	•	•
80-160/55	5,5	•	•	•	•
80-200/55	5,5	-	•	•	•
80-200/75	7,5	-	•	•	•
80-200/110	11	-	•	•	•
80-250/75	7,5	-	•	•	•
80-250/110A	11	-	•	•	•
80-250/110	11	-	•	•	•
80-250/150	15	-	•	•	•
80-315/150	15	-	•	•	•
80-315/185	18,5	-	•	•	•
80-315/220	22	-	•	•	•
80-315/300	30	-	•	•	•
80-315/370	37	-	-	•	•
80-400/370	37	-	•	•	•
80-400/450	45	-	•	•	•
80-400/550	55	-	•	•	•
80-400/750	75	-	•	•	•

e-NSC SERIES

LIST OF MODELS AT 60 Hz, 4 POLES

SIZE NSC..4	kW	VERSION			
		NSCE	NSCS	NSCF	NSCC
100-160/40	4	-	•	•	•
100-160/55	5,5	-	•	•	•
100-160/75	7,5	-	•	•	•
100-200/55	5,5	-	•	•	•
100-200/75	7,5	-	•	•	•
100-200/110	11	-	•	•	•
100-200/150	15	-	•	•	•
100-250/110	11	-	•	•	•
100-250/150	15	-	•	•	•
100-250/185	18,5	-	•	•	•
100-315/220	22	-	•	•	•
100-315/300	30	-	•	•	•
100-315/370	37	-	-	•	•
100-315/450	45	-	-	•	•
100-400/450	45	-	•	•	•
100-400/550	55	-	•	•	•
100-400/750	75	-	•	•	•
125-200/75	7,5	-	•	•	•
125-200/110	11	-	•	•	•
125-200/150	15	-	•	•	•
125-200/185	18,5	-	•	•	•
125-250/150	15	-	•	•	•
125-250/185	18,5	-	•	•	•
125-250/220	22	-	•	•	•
125-250/300	30	-	•	•	•
125-315/300	30	-	•	•	•
125-315/370	37	-	•	•	•
125-315/450	45	-	•	•	•
125-315/550	55	-	•	•	•
125-315/750	75	-	•	•	•
125-400/550	55	-	•	•	•
125-400/750	75	-	•	•	•
125-400/900	90	-	•	•	•
125-400/1100	110	-	-	•	•
150-200/150	15	-	•	•	•
150-200/185	18,5	-	•	•	•
150-200/220	22	-	•	•	•
150-200/300	30	-	•	-	-
150-250/220	22	-	•	•	•
150-250/300	30	-	•	•	•
150-250/370	37	-	•	•	•
150-250/450	45	-	•	•	•
150-315/450	45	-	•	•	•
150-315/550	55	-	•	•	•
150-315/750	75	-	•	•	•
150-315/900	90	-	•	•	•
150-400/750	75	-	•	•	•
150-400/900	90	-	•	•	•
150-400/1100	110	-	-	•	•
150-500/1600	160	-	-	•	•
150-500/2000	200	-	-	•	•
150-500/2500	250	-	-	•	•
150-500/3150	315	-	-	•	•

• = Available

Nsc2_models-4p60-en_a_sc

SIZE NSC..4	kW	VERSION			
		NSCE	NSCS	NSCF	NSCC
200-250/300	30	-	•	•	•
200-250/370	37	-	•	•	•
200-250/450	45	-	•	•	•
200-250/550	55	-	•	•	•
200-315/550	55	-	•	•	•
200-315/750	75	-	•	•	•
200-315/900	90	-	•	•	•
200-315/1100	110	-	-	•	•
200-400/1100	110	-	-	•	•
200-400/1320	132	-	-	•	•
200-400/1600	160	-	-	•	•
200-400/2000	200	-	-	•	•
200-400/2500	250	-	-	•	•
200-500/2500	250	-	-	•	•
200-500/3150A	315	-	-	•	•
200-500/3150	315	-	-	•	•
200-500/3550	355	-	-	•	•
250-315/750	75	-	-	•	•
250-315/900	90	-	-	•	•
250-315/1100	110	-	-	•	•
250-400/1320	132	-	-	•	•
250-400/1600	160	-	-	•	•
250-400/2000	200	-	-	•	•
250-400/2500	250	-	-	•	•
250-400/3150	315	-	-	•	•
250-500/3150	315	-	-	•	•
250-500/3550	355	-	-	•	•
250-500/4000	400	-	-	•	•
300-350/1100	110	-	-	•	•
300-350/1320	132	-	-	•	•
300-350/1600	160	-	-	•	•
300-350/2000	200	-	-	•	•
300-400/2000	200	-	-	•	•
300-400/2500	250	-	-	•	•
300-400/3150	315	-	-	•	•
300-400/3550	355	-	-	•	•
300-400/4000	400	-	-	•	•

e-NSC SERIES AVAILABLE MATERIALS

Various material configurations are available to fit the needs of different pumped mediums and applications requirements. Below are the specifics regarding the material configurations and their availability for the different pump sizes. The material identification codes are the same used in the pump description (see page 8)

MATERIAL CONFIGURATION

COMPONENTS	CS	CC/DC	CB/DB	CN/DN	NN	RN	RR
Volute casing	Cast iron	Cast iron/Ductile iron			Stainless steel	Duplex	Duplex
Impeller	Stainless steel	Cast iron	Bronze	Stainless steel	Stainless steel		Duplex
Casing cover	Cast iron	Cast iron/Ductile iron			Stainless steel	Duplex	Duplex
Stub shaft	Stainless steel				Duplex		
Wear ring	Stainless steel				Duplex		
Impeller lock nut and washer	Stainless steel						Duplex
Impeller key	Stainless steel						Duplex
Fill and drain plugs	Stainless steel					Duplex	
Motor adapter	Cast iron						

Stub shaft and wear rings in Duplex are available as an option for all pump sizes.
For further informations, see the pages 14-20.

Nsc_configs-en_a_tm

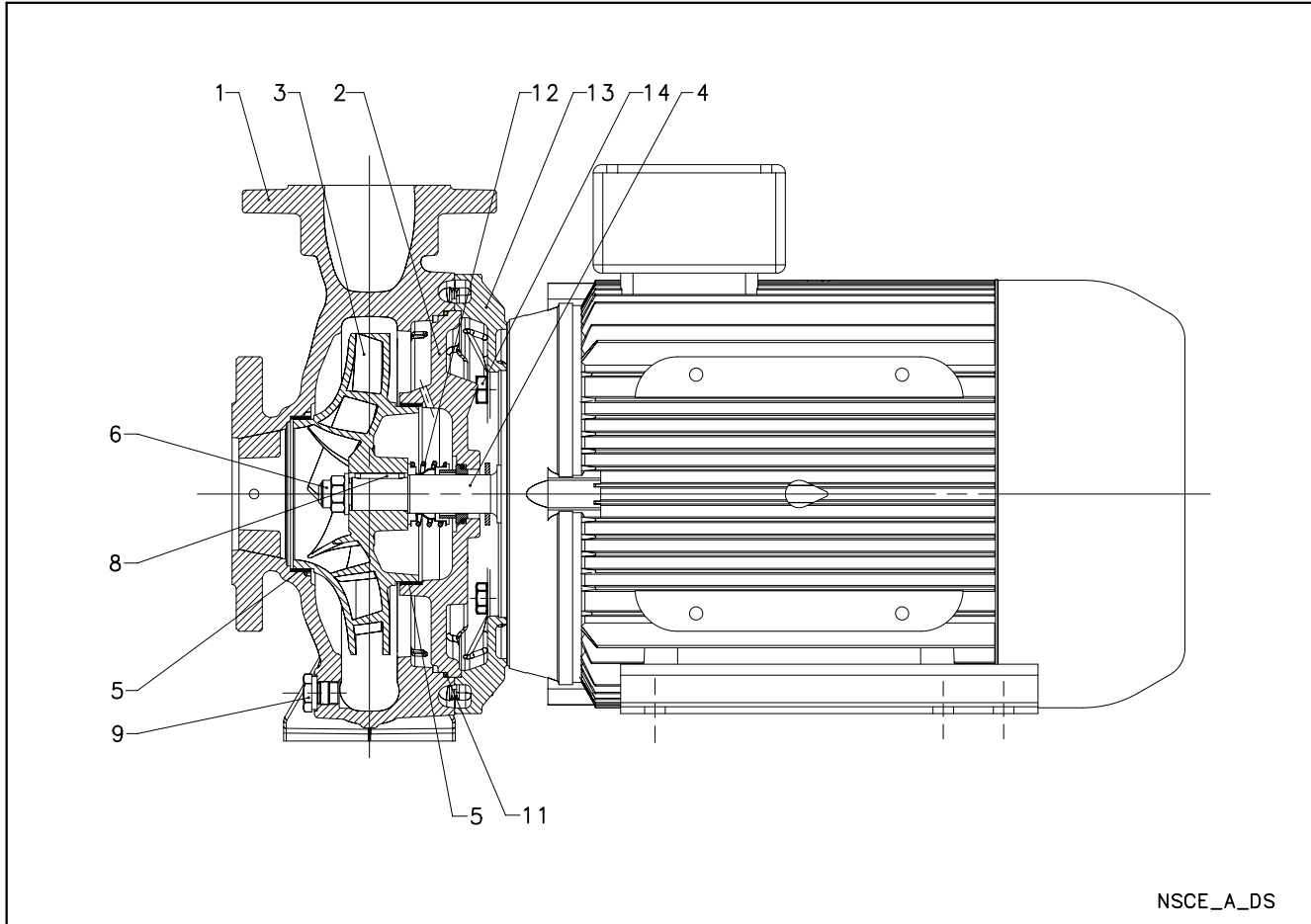
AVAILABLE MATERIALS FOR CASING AND IMPELLER PER PUMP SIZE

DISCHARGE SIZE	IMPELLER SIZE						
	125	160	200	250	315 / 316	400	500
32	CS	CS	CS	CS			
40	CS	CS	CS	CS			
50	CS	CS	CS	CS	CC-CB-CN NN-RR		
65	CC-CB-CN NN-RR	CC-CB-CN NN-RR	CC-CB-CN NN-RR	CC-CB-CN NN-RR	CC-CB-CN NN-RR		
80		CC-CB-CN NN-RR	CC-CB-CN NN-RR	CC-CB-CN NN-RR	CC-CB-CN NN-RR	CC-CB-CN NN-RR	
100		CC-CB-CN NN-RR	CC-CB-CN NN-RR	CC-CB-CN NN-RR	CC-CB-CN NN-RR	CC-CB-CN NN-RR	
125			CC-CB-CN NN-RR	CC-CB-CN NN-RR	CC-CB-CN NN-RR	CC-CB-CN NN-RR	
150			CC-CB-CN NN-RR	CC-CB-CN NN-RR	CC-CB-CN NN-RR	CC-CB-CN NN-RR	DC-DB-DN RN-RR
200				DC-DB-DN RN-RR	DC-DB-DN RN-RR	DC-DB-DN RN-RR	DC-DB-DN RN-RR
250					DC-DB-DN RN-RR	DC-DB-DN RN-RR	DC-DB-DN RN-RR
300					DC-DB-DN RN-RR	DC-DB-DN RN-RR	DC-DB-DN RN-RR

Nsc_models-en_b_tm

NSCE SERIES

ELECTRIC PUMP CROSS-SECTION AND MAIN COMPONENTS



NSCE_A_DS

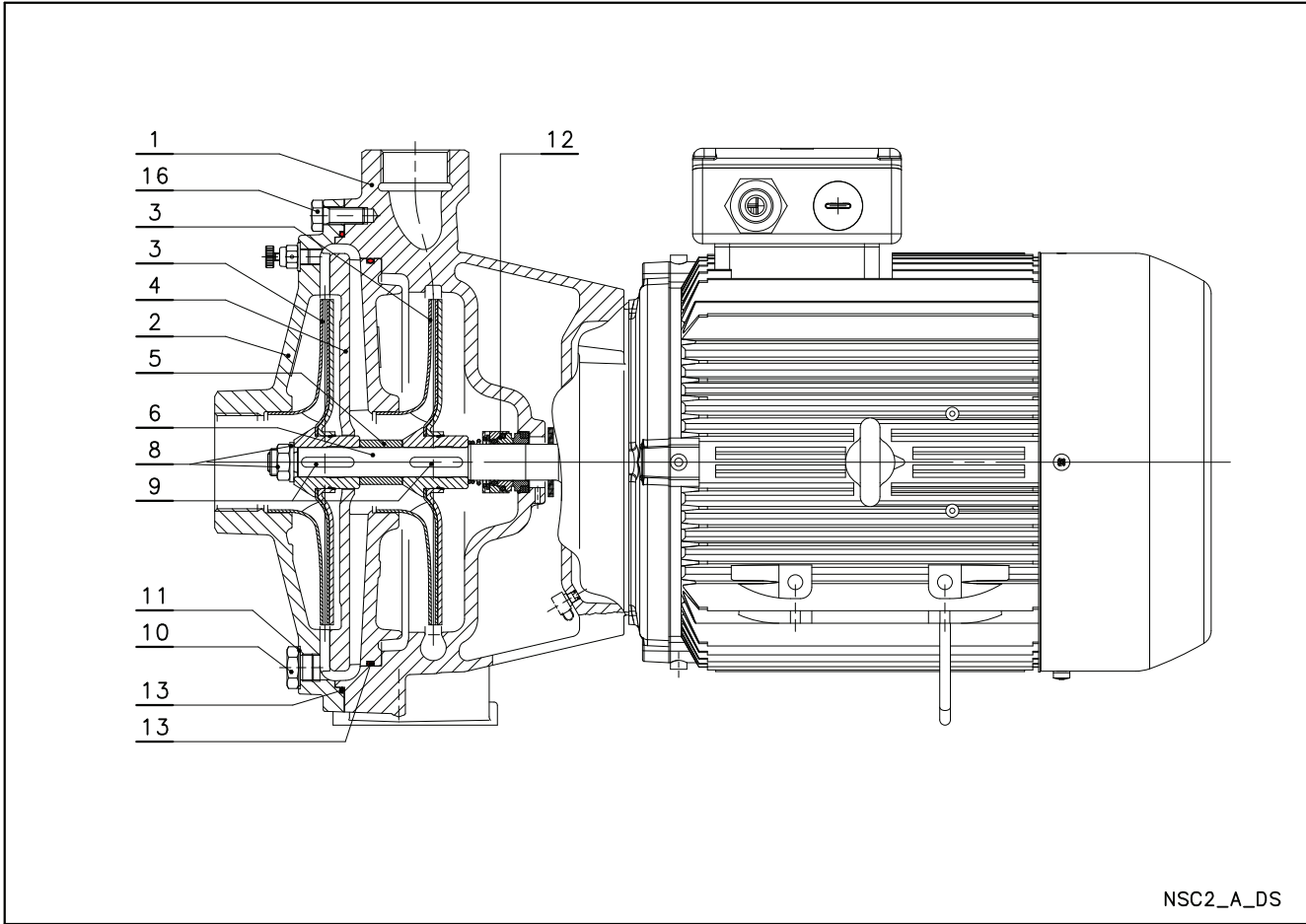
REF. N.	PART	MATERIAL	REFERENCE STANDARDS	
			EUROPE	USA
1	Volute casing	Cast iron	EN 1561 - GJL-250 (JL1040)	ASTM Class 35
2	Casing cover	Cast iron	EN 1561 - GJL-250 (JL1040)	ASTM Class 35
3	Impeller (32, 40, 50)	Stainless steel	EN 10088-1-X5CrNi18-10 (1.4301)	AISI 304
		Cast iron	EN 1561 - GJL-200 (JL1030)	ASTM Class 30
		Bronze	EN 1982 - CuSn10-C (CC480K)	UNS C90700
		Stainless steel	EN 10213-GX5CrNiMo-19-11-2 (1.4408)	ASTM A743 CF8M
3	Impeller (65, 80)	Duplex	EN 10213-GX2CrNiMoCuN25-6-3-3 (1.4517)	ASTM A743 CD4MCu
4	Shaft extension	Stainless steel	EN 10088-1-X2CrNiMo17-12-2 (1.4404)	AISI 316L
5	Wear ring	Stainless steel	EN 10088-X5CrNi18-10 (1.4301)	AISI 304
6	Impeller lock nut and washer	Stainless steel	EN 10088-X5CrNi18-10 (1.4301)	AISI 304
8	Impeller key	Stainless steel	EN 10088-1-X2CrNiMo17-12-2 (1.4404)	AISI 316L
9	Fill and drain plugs	Stainless steel	EN 10088-3-X8CrNiS18-9 (1.4305)	AISI 303
11	O-Ring	EPDM (standard version)		
12	Mechanical seal	Carbon / Silicon carbide / EPDM (standard version)		
13	Motor adapter *	Aluminium	EN 1706-AC-AISI11Cu2 (Fe) (AC46100)	-
	Motor adapter	Cast iron	EN 1561 - GJL-250 (JL1040)	ASTM Class 35
14	Volute casing fastening bolts and screws	Galvanized steel		

* 2/4 pole: 32/40/50-125, 32/40-160

Nsce-en_c_tm

NSC2 SERIES

ELECTRIC PUMP CROSS-SECTION AND MAIN COMPONENTS

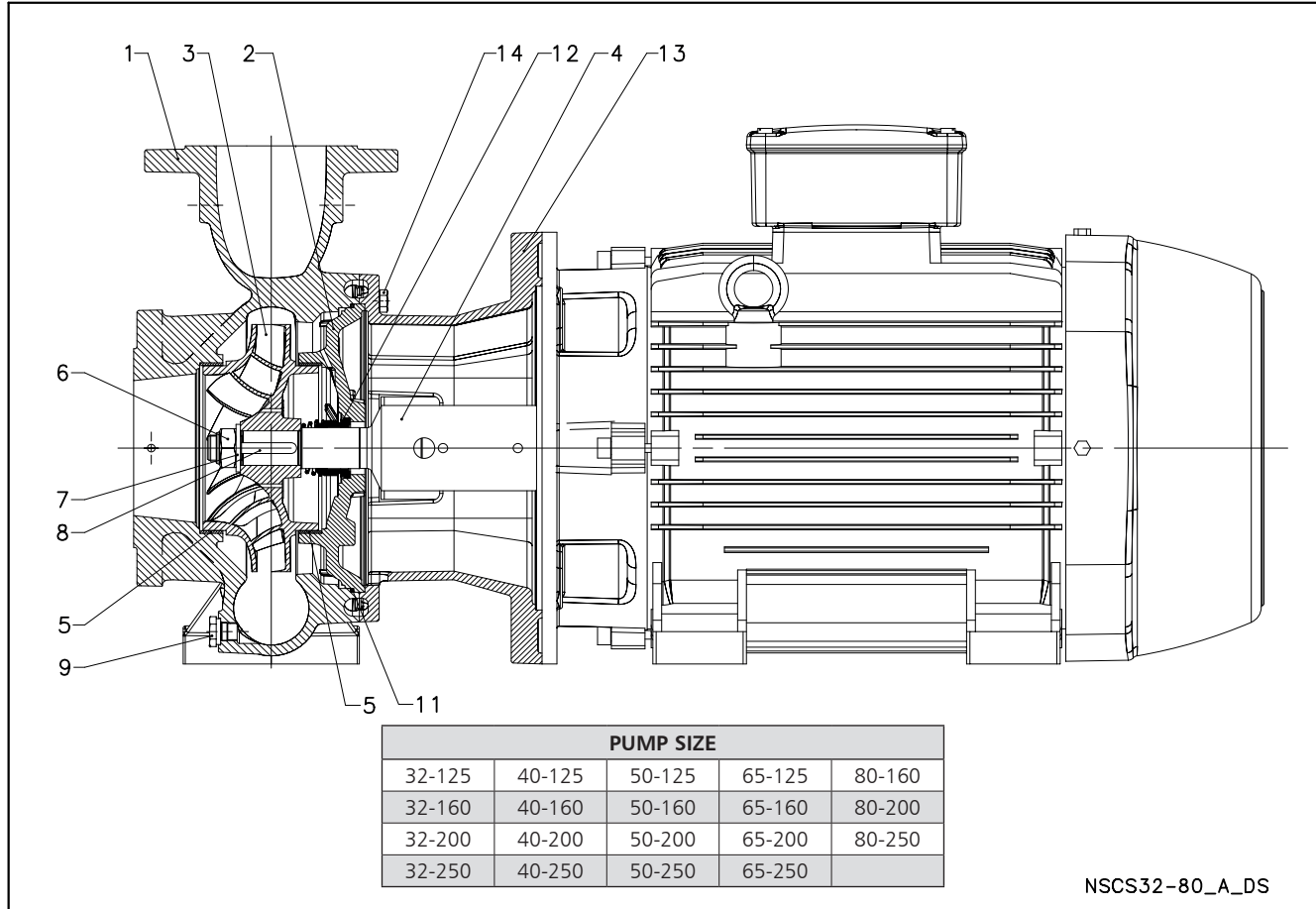


NSC2_A_DS

REF. N.	PART	MATERIAL	REFERENCE STANDARDS	
			EUROPE	USA
1	Pump body	Cast iron	EN 1561-GJL-200 (JL1030)	ASTM Class 25
2	Suction flange	Cast iron	EN 1561-GJL-200 (JL1030)	ASTM Class 25
3	Impeller	Stainless steel	EN 10088-1-X2CrNiMo17-12-2 (1.4404)	AISI 316L
4	Diffuser	Cast iron	EN 1561-GJL-200 (JL1030)	ASTM Class 25
5	Impeller spacer	Stainless steel	EN 10088-1-X2CrNiMo17-12-2 (1.4404)	AISI 316L
6	Shaft extension	Stainless steel	EN 10088-1-X2CrNiMo17-12-2 (1.4404)	AISI 316L
8	Impeller lock nut and washer	Stainless steel	EN 10088-1-X2CrNiMo17-12-2 (1.4404)	AISI 316L
9	Tab	Stainless steel	EN 10088-1-X2CrNiMo17-12-2 (1.4404)	AISI 316L
10	Fill and drain plugs	Stainless steel	EN 10088-3-X8CrNiS18-9 (1.4305)	AISI 303
11	Fill and drain plugs seals	EPDM (standard version)		
12	Mechanical seal	Carbon / Silicon carbide / EPDM (standard version)		
13	O-Ring	EPDM (standard version)		
16	Pump body fastening bolts and screws	Galvanized steel		

Nsc2-en_b_tm

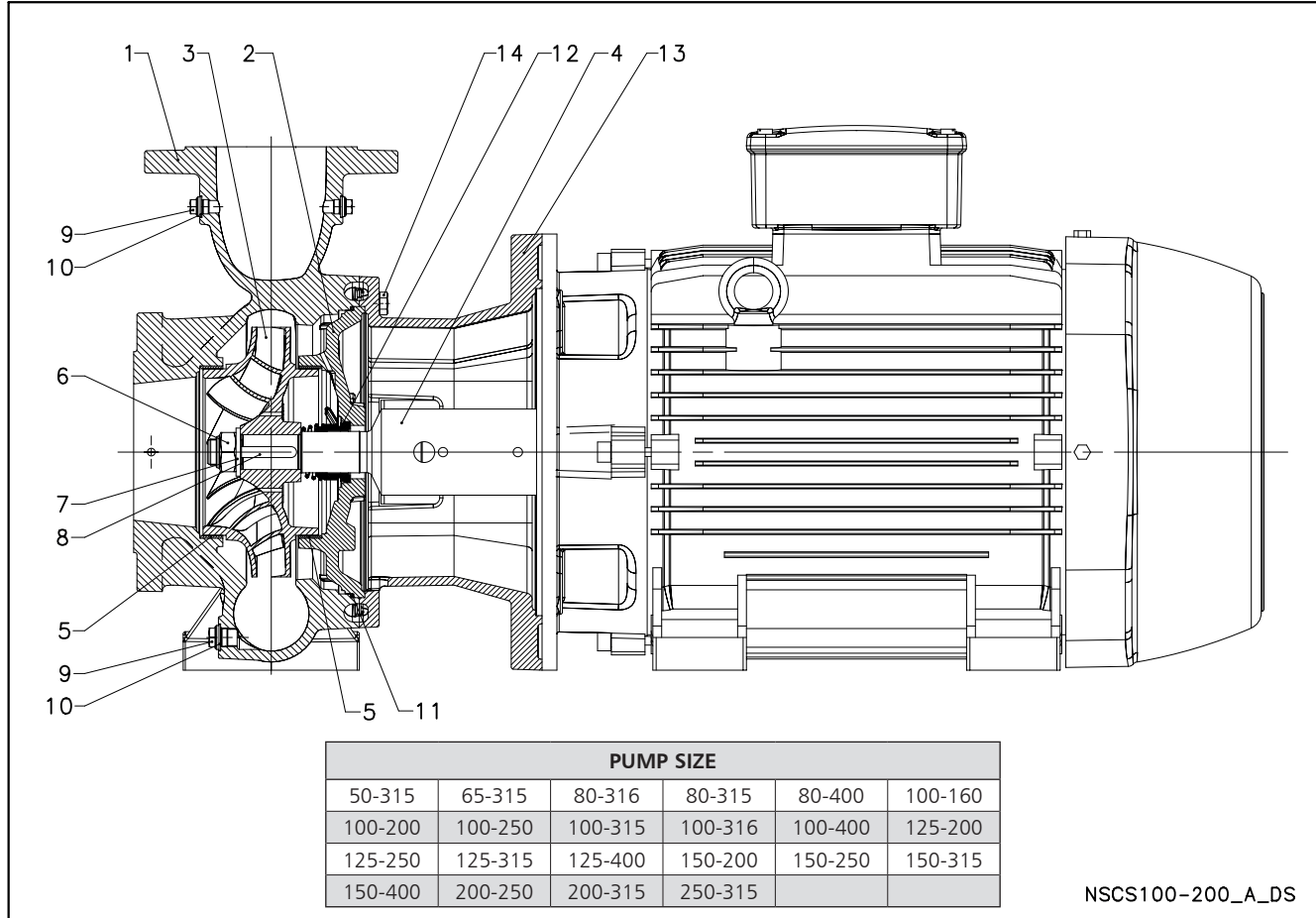
NSCS SERIES ELECTRIC PUMP CROSS-SECTION AND MAIN COMPONENTS



REF. N.	PART	MATERIAL	REFERENCE STANDARDS	
			EUROPE	USA
1	Volute casing	Cast iron	EN 1561 - GJL-250 (JL1040)	ASTM Class 35
	Volute casing (65, 80)	Stainless steel	EN 10213-GX5CrNiMo-19-11-2 (1.4408)	ASTM A743 CF8M
2	Casing cover	Duplex	EN 10213-GX2CrNiMoCuN25-6-3-3 (1.4517)	ASTM A743 CD4MCu
	Casing cover (65, 80)	Cast iron	EN 1561 - GJL-250 (JL1040)	ASTM Class 35
3	Impeller (32, 40, 50)	Stainless steel	EN 10088-1-X5CrNi18-10 (1.4301)	AISI 304
		Cast iron	EN 1561 - GJL-200 (JL1030)	ASTM Class 30
	Impeller (65, 80)	Bronze	EN 1982 - CuSn10-C (CC480K)	UNS C90700
		Stainless steel	EN 10213-GX5CrNiMo-19-11-2 (1.4408)	ASTM A743 CF8M
4	Stub shaft	Duplex	EN 10213-GX2CrNiMoCuN25-6-3-3 (1.4517)	ASTM A743 CD4MCu
	Stub shaft (65-250, 80-200, 80-250)	Stainless steel	EN 10088-1-X2CrNiMo17-12-2 (1.4404)	AISI 316L
	Stub shaft (65, 80)	Stainless steel	EN 10088-1-X17CrNi16-2 (1.4057)	AISI 431
5	Wear ring	Duplex	EN 10088-3-X2CrNiMoN22-5-3 (1.4462)	ASTM A182 F51
	Wear ring (65, 80)	Stainless steel	EN 10088-1-X5CrNi18-10 (1.4301)	AISI 304
6	Impeller lock nut and washer	Duplex	EN 10088-3-X2CrNiMoN22-5-3 (1.4462)	ASTM A182 F51
	Impeller lock nut and washer (65, 80)	Stainless steel	EN 10088-1-X5CrNi18-10 (1.4301)	AISI 304
8	Impeller key	Stainless steel	EN 10088-1-X2CrNiMo17-12-2 (1.4404)	AISI 316L
	Impeller key (65, 80)	Duplex	EN 10088-3-X2CrNiMoN22-5-3 (1.4462)	ASTM A182 F51
9	Fill and drain plugs	Stainless steel	EN 10088-3-X8CrNiS18-9 (1.4305)	AISI 303
	Fill and drain plugs (65, 80)	Duplex	EN 10088-3-X2CrNiMoN22-5-3 (1.4462)	ASTM A182 F51
11	O-Ring	EPDM (versione standard)		
12	Mechanical seal	Carbon / Silicon carbide / EPDM (standard version)		
13	Mechanical seal (65, 80)	Antimony impregnated carbon / Silicon carbide / EPDM (duplex version)		
13	Adapter *	Aluminium	EN 1706-AC-AISI11Cu2 (Fe) (AC46100)	-
	Adapter	Cast iron	EN 1561 - GJL-250 (JL1040)	ASTM Class 35
	Motor adapter	Cast iron	EN 1561 - GJL-250 (JL1040)	ASTM Class 35
14	Volute casing fastening bolts and screws	Galvanized steel		
	Volute casing fastening bolts and screws	Stainless steel	A4 (~ 1.4401)	

* 2/4 pole: 32/40/50-125, 32/40-160

NSCS SERIES ELECTRIC PUMP CROSS-SECTION AND MAIN COMPONENTS



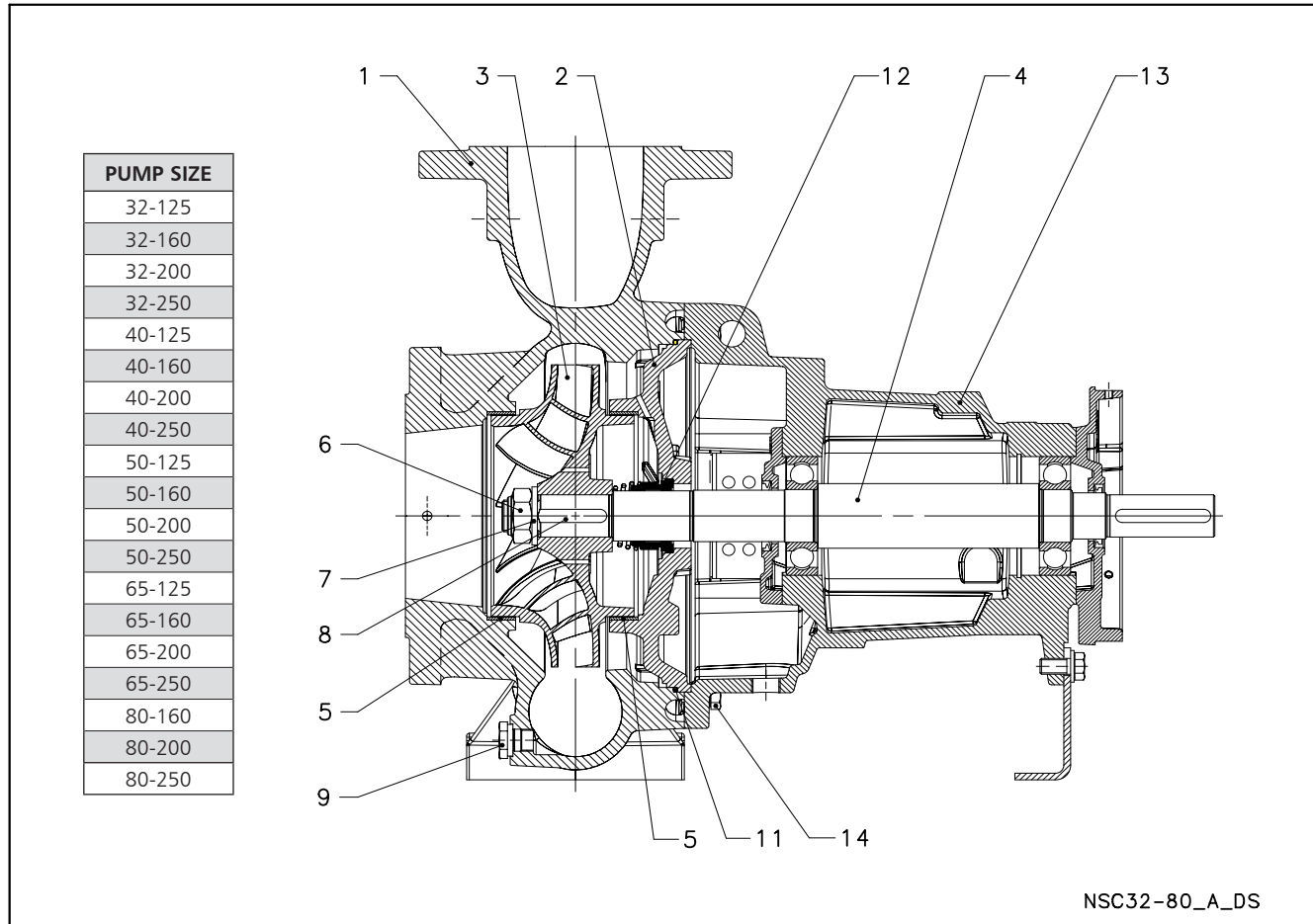
PUMP SIZE					
50-315	65-315	80-316	80-315	80-400	100-160
100-200	100-250	100-315	100-316	100-400	125-200
125-250	125-315	125-400	150-200	150-250	150-315
150-400	200-250	200-315	250-315		

NSCS100-200_A_DS

REF. N.	PART	MATERIAL	REFERENCE STANDARDS	
			EUROPE	USA
1	Volute casing	Cast iron	EN 1561 - GJL-250 (JL1040)	ASTM Class 35
		Stainless steel	EN 10213-GX5CrNiMo-19-11-2 (1.4408)	ASTM A743 CF8M
		Duplex	EN 10213-GX2CrNiMoCuN25-6-3-3 (1.4517)	ASTM A743 CD4MCu
	Volute casing (200-250, 200-315, 250-315)	Cast ductile iron	EN 1563 - EN-GJS400-15 (EN-JS1030)	ASTM A536 40-60-18
2	Casing cover	Cast iron	EN 1561 - GJL-250 (JL1040)	ASTM Class 35
		Stainless steel	EN 10213-GX5CrNiMo-19-11-2 (1.4408)	ASTM A743 CF8M
		Duplex	EN 10213-GX2CrNiMoCuN25-6-3-3 (1.4517)	ASTM A743 CD4MCu
		Cast ductile iron	EN 1563 - EN-GJS400-15 (EN-JS1030)	ASTM A536 40-60-18
3	Impeller	Cast iron	EN 1561 - GJL-200 (JL1030)	ASTM Class 30
		Bronzo	EN 1982 - CuSn10-C (CC480K)	UNS C90700
		Stainless steel	EN 10213-GX5CrNiMo-19-11-2 (1.4408)	ASTM A743 CF8M
		Duplex	EN 10213-GX2CrNiMoCuN25-6-3-3 (1.4517)	ASTM A743 CD4MCu
4	Stub shaft	Stainless steel	EN 10088-1-X17CrNi16-2 (1.4057)	AISI 431
		Duplex	EN 10088-3-X2CrNiMoN22-5-3 (1.4462)	ASTM A182 F51
5	Wear ring	Stainless steel	EN 10088-1-X5CrNi18-10 (1.4301)	AISI 304
		Duplex	EN 10088-3-X2CrNiMoN22-5-3 (1.4462)	ASTM A182 F51
6	Impeller nut	Stainless steel	A4 (~ 1.4401)	
		Duplex	EN 10088-3-X2CrNiMoN22-5-3 (1.4462)	ASTM A182 F51
7	Impeller washer	Stainless steel	A4 (~ 1.4401)	
		Duplex	EN 10088-3-X2CrNiMoN22-5-3 (1.4462)	ASTM A182 F51
8	Impeller key	Stainless steel	EN 10088 - X6CrNiMo17-12-2 (1.4571)	AISI 316Ti
		Duplex	EN 10088-3-X2CrNiMoN22-5-3 (1.4462)	ASTM A182 F51
9	Plug	Stainless steel	EN 10088 - X6CrNiMo17-12-2 (1.4571)	AISI 316Ti
		Duplex	EN 10088-3-X2CrNiMoN22-5-3 (1.4462)	ASTM A182 F51
10	Gasket	Asbestos-free synthetic fiber AFM 34		
11	O-Ring	EPDM (versione standard)		
12	Mechanical seal	Carbon / Silicon carbide / EPDM (standard version)		
		Antimony impregnated carbon / Silicon carbide / EPDM (duplex version)		
13	Motor adapter	Cast iron	EN 1561 - GJL-250 (JL1040)	ASTM Class 35
14	Volute - casing fastening screws	Carbon steel		
		Stainless steel	A4	

Nscs100-200-en_c_tm

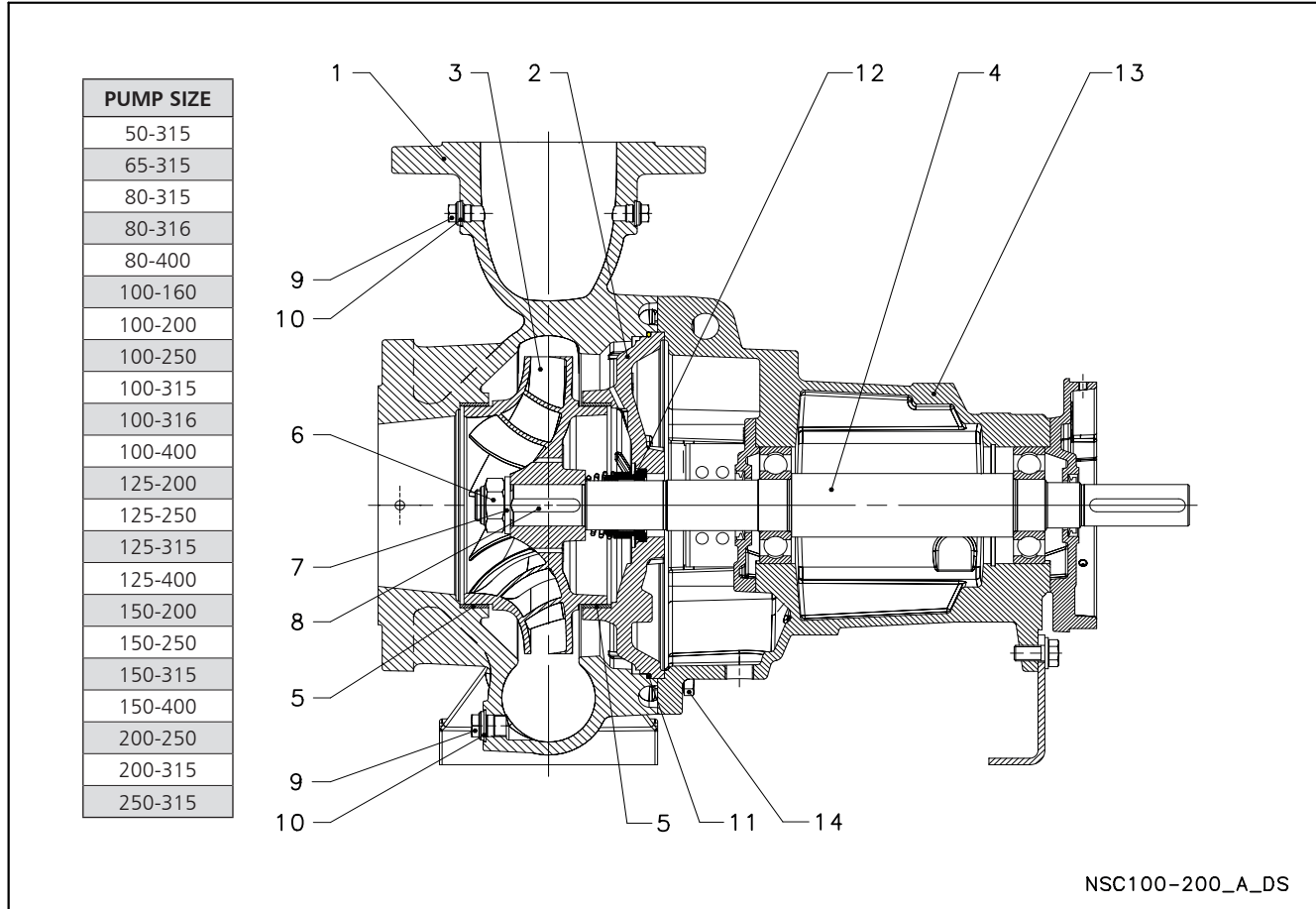
NSC, NSCF, NSCC SERIES ELECTRIC PUMP CROSS-SECTION AND MAIN COMPONENTS



REF. N.	PART	MATERIAL	REFERENCE STANDARDS	
			EUROPE	USA
1	Volute casing	Cast iron	EN 1561 - GJL-250 (JL1040)	ASTM Class 35
	Volute casing (65, 80)	Stainless steel	EN 10213-GX5CrNiMo-19-11-2 (1.4408)	ASTM A743 CF8M
2	Casing cover	Duplex	EN 10213-GX2CrNiMoCuN25-6-3-3 (1.4517)	ASTM A743 CD4MCu
	Casing cover (65, 80)	Cast iron	EN 1561 - GJL-250 (JL1040)	ASTM Class 35
		Stainless steel	EN 10213-GX5CrNiMo-19-11-2 (1.4408)	ASTM A743 CF8M
3	Impeller (32, 40, 50)	Duplex	EN 10213-GX2CrNiMoCuN25-6-3-3 (1.4517)	ASTM A743 CD4MCu
		Stainless steel	EN 10088-1-X5CrNi18-10 (1.4301)	AISI 304
	Impeller (65, 80)	Cast iron	EN 1561 - GJL-200 (JL1030)	ASTM Class 30
		Bronze	EN 1982 - CuSn10-C (CC480K)	UNS C90700
		Stainless steel	EN 10213-GX5CrNiMo-19-11-2 (1.4408)	ASTM A743 CF8M
4	Stub shaft	Duplex	EN 10213-GX2CrNiMoCuN25-6-3-3 (1.4517)	ASTM A743 CD4MCu
		Stainless steel	EN 10088-1-X2CrNi18-10 (1.4301)	AISI 304
	Stub shaft (65, 80)	Duplex	EN 10088-3-X2CrNiMoN22-5-3 (1.4462)	ASTM A182 F51
5	Wear ring	Stainless steel	EN 10088-1-X2CrNiMo17-12-2 (1.4404)	AISI 316L
	Wear ring (65, 80)	Duplex	EN 10088-3-X2CrNiMoN22-5-3 (1.4462)	ASTM A182 F51
6	Impeller lock nut and washer	Stainless steel	EN 10088-1-X5CrNi18-10 (1.4301)	AISI 304
	Impeller lock nut and washer (65, 80)	Duplex	EN 10088-3-X2CrNiMoN22-5-3 (1.4462)	ASTM A182 F51
8	Impeller key	Stainless steel	EN 10088-1-X2CrNiMo17-12-2 (1.4404)	AISI 316L
	Impeller key (65, 80)	Duplex	EN 10088-3-X2CrNiMoN22-5-3 (1.4462)	ASTM A182 F51
9	Fill and drain plugs	Stainless steel	EN 10088-3-X8CrNiS18-9 (1.4305)	AISI 303
	Fill and drain plugs (65, 80)	Duplex	EN 10088-3-X2CrNiMoN22-5-3 (1.4462)	ASTM A182 F51
11	O-Ring	EPDM (versione standard)		
12	Mechanical seal	Carbon / Silicon carbide / EPDM (standard version)		
13	Mechanical seal (65, 80)	Antimony impregnated carbon / Silicon carbide / EPDM (duplex version)		
13	Adapter *	Aluminium	EN 1706-AC-AISI11Cu2 (Fe) (AC46100)	-
	Adapter	Cast iron	EN 1561 - GJL-250 (JL1040)	ASTM Class 35
	Motor adapter	Cast iron	EN 1561 - GJL-250 (JL1040)	ASTM Class 35
14	Volute casing fastening bolts and screws	Galvanized steel		
	Volute casing fastening bolts and screws	Stainless steel	A4 (~ 1.4401)	

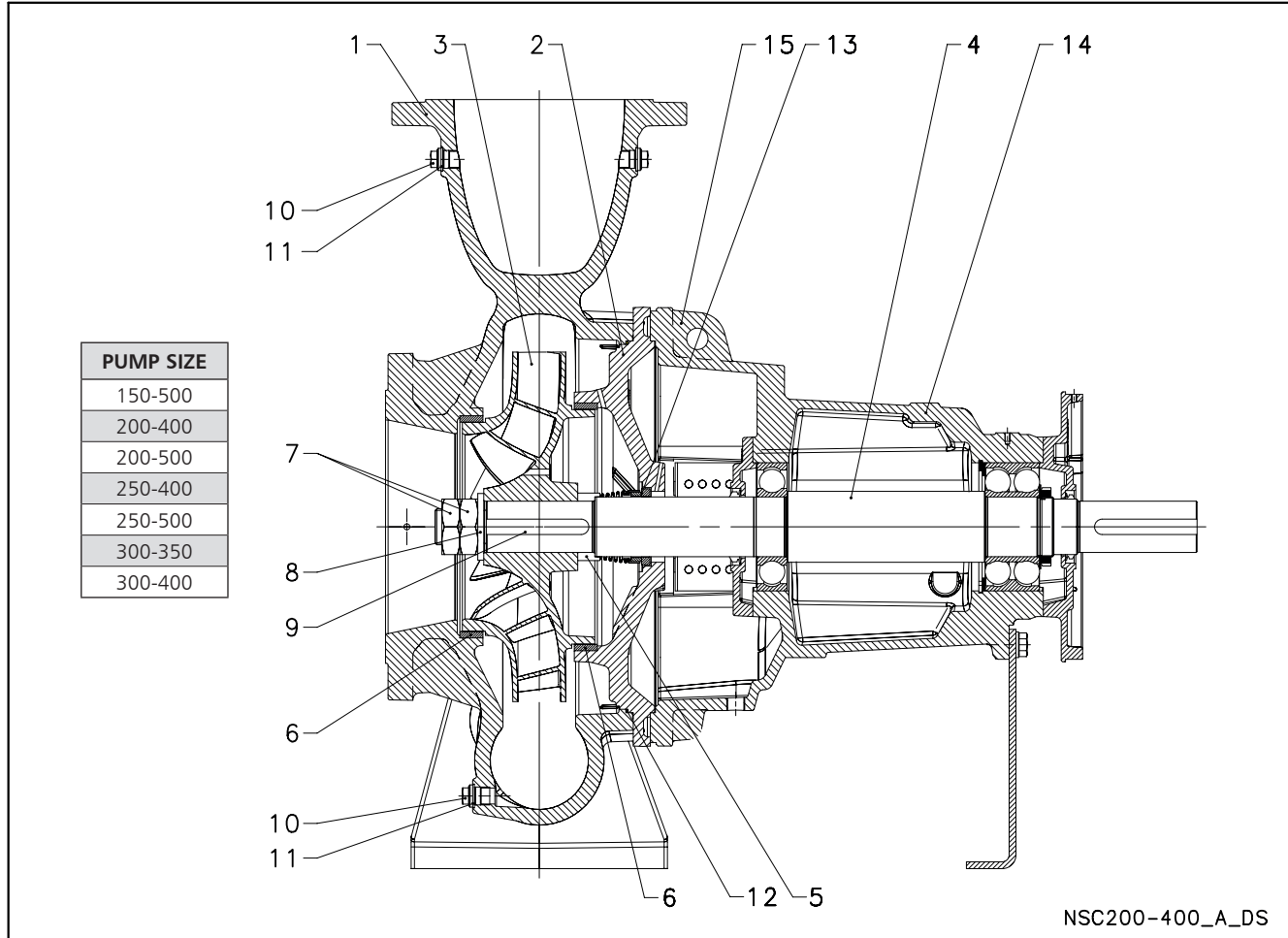
* 2/4 pole: 32/40/50-125, 32/40-160

NSC, NSCF, NSCC SERIES ELECTRIC PUMP CROSS-SECTION AND MAIN COMPONENTS



REF. N.	PART	MATERIAL	REFERENCE STANDARDS	
			EUROPE	USA
1	Volute casing	Cast iron	EN 1561 - GJL-250 (JL1040)	ASTM Class 35
		Stainless steel	EN 10213-GX5CrNiMo-19-11-2 (1.4408)	ASTM A743 CF8M
	Volute casing (200-250, 200-315, 250-315)	Duplex	EN 10213-GX2CrNiMoCuN25-6-3-3 (1.4517)	ASTM A743 CD4MCu
2	Casing cover	Cast ductile iron	EN 1563 - EN-GJS400-15 (EN-JS1030)	ASTM A536 40-60-18
		Cast iron	EN 1561 - GJL-250 (JL1040)	ASTM Class 35
	Casing cover (200-250, 200-315, 250-315)	Stainless steel	EN 10213-GX5CrNiMo-19-11-2 (1.4408)	ASTM A743 CF8M
3	Impeller	Duplex	EN 10213-GX2CrNiMoCuN25-6-3-3 (1.4517)	ASTM A743 CD4MCu
		Cast iron	EN 1561 - GJL-200 (JL1030)	ASTM Class 30
		Bronze	EN 1982 - CuSn10-C (CC480K)	UNS C90700
		Stainless steel	EN 10213-GX5CrNiMo-19-11-2 (1.4408)	ASTM A743 CF8M
4	Shaft	Duplex	EN 10088-1-X17CrNi16-2 (1.4057)	AISI 431
		Stainless steel	EN 10088-3-X2CrNiMoN22-5-3 (1.4462)	ASTM A182 F51
5	Wear ring	Duplex	EN 10088-1-X5CrNi18-10 (1.4301)	AISI 304
		Stainless steel	EN 10088-3-X2CrNiMoN22-5-3 (1.4462)	ASTM A182 F51
6	Impeller nut	Stainless steel	A4 (~ 1.4401)	
		Duplex	EN 10088-3-X2CrNiMoN22-5-3 (1.4462)	ASTM A182 F51
7	Impeller washer	Stainless steel	A4 (~ 1.4401)	
		Duplex	EN 10088-3-X2CrNiMoN22-5-3 (1.4462)	ASTM A182 F51
8	Impeller key	Stainless steel	EN 10088 - X6CrNiMo17-12-2 (1.4571)	AISI 316Ti
		Duplex	EN 10088-3-X2CrNiMoN22-5-3 (1.4462)	ASTM A182 F51
9	Plug	Stainless steel	EN 10088 - X6CrNiMo17-12-2 (1.4571)	AISI 316Ti
		Duplex	EN 10088-3-X2CrNiMoN22-5-3 (1.4462)	ASTM A182 F51
10	Gasket	Asbestos-free synthetic fiber AFM 34		
11	O-Ring	EPDM (standard version)		
12	Mechanical seal	Carbon / Silicon carbide / EPDM (standard version) Antimony impregnated carbon / Silicon carbide / EPDM (duplex version)		
13	Bearing bracket	Cast iron	EN 1561 - GJL-250 (JL1040)	ASTM Class 35
14	Volute - casing fastening screws	Carbon steel		
		Stainless steel	A4 (~ 1.4401)	

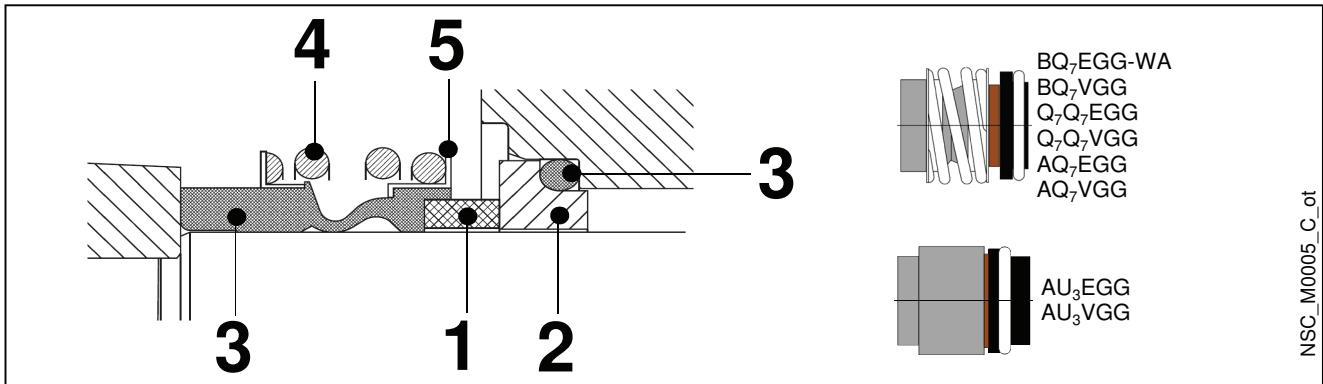
NSC, NSCF, NSCC SERIES ELECTRIC PUMP CROSS-SECTION AND MAIN COMPONENTS



REF. N.	PART	MATERIAL	REFERENCE STANDARDS	
			EUROPE	USA
1	Volute casing	Cast ductile iron	EN 1563 - EN-GJS400-15 (EN-JS1030)	ASTM A536 40-60-18
		Duplex	EN 10213-GX2CrNiMoCuN25-6-3-3 (1.4517)	ASTM A743 CD4MCu
2	Casing cover	Cast ductile iron	EN 1563 - EN-GJS400-15 (EN-JS1030)	ASTM A536 40-60-18
		Duplex	EN 10213-GX2CrNiMoCuN25-6-3-3 (1.4517)	ASTM A743 CD4MCu
3	Impeller	Cast iron	EN 1561 - GJL-200 (JL1030)	ASTM Class 30
		Bronze	EN 1982 - CuSn10-C (CC480K)	UNS C90700
		Stainless steel	EN 10213-GX5CrNiMo-19-11-2 (1.4408)	ASTM A743 CF8M
		Duplex	EN 10213-GX2CrNiMoCuN25-6-3-3 (1.4517)	ASTM A743 CD4MCu
4	Shaft	Stainless steel	EN 10088-1-X17CrNi16-2 (1.4057)	AISI 431
		Duplex	EN 10088-3-X2CrNiMoN22-5-3 (1.4462)	ASTM A182 F51
5	Spacer ring	Stainless steel	EN 10088-1-X17CrNi16-2 (1.4057)	AISI 431
		Duplex	EN 10088-3-X2CrNiMoN22-5-3 (1.4462)	ASTM A182 F51
6	Wear ring	Stainless steel	EN 10088-X5CrNi18-10 (1.4301)	AISI 304
		Duplex	EN 10088-3-X2CrNiMoN22-5-3 (1.4462)	ASTM A182 F51
7	Impeller nut	Stainless steel	A4 (~ 1.4401)	
		Duplex	EN 10088-3-X2CrNiMoN22-5-3 (1.4462)	ASTM A182 F51
8	Impeller washer	Stainless steel	A4 (~ 1.4401)	
		Duplex	EN 10088-3-X2CrNiMoN22-5-3 (1.4462)	ASTM A182 F51
9	Impeller key	Stainless steel	EN 10088 - X6CrNiMo17-12-2 (1.4571)	AISI 316Ti
		Duplex	EN 10088-3-X2CrNiMoN22-5-3 (1.4462)	ASTM A182 F51
10	Plug	Stainless steel	EN 10088 - X6CrNiMo17-12-2 (1.4571)	AISI 316Ti
		Duplex	EN 10088-3-X2CrNiMoN22-5-3 (1.4462)	ASTM A182 F51
11	Gasket	Asbestos-free synthetic fiber AFM 34		
12	O-Ring	EPDM (standard version)		
13	Mechanical seal	Carbon / Silicon carbide / EPDM (standard version)		
		Carbon / Silicon carbide / EPDM (standard version)		
14	Bearing bracket	Cast iron	EN 1561 - GJL-250 (JL1040)	ASTM Class 35
15	Volute - casing fastening screws	Cast iron		
		Stainless steel	A4 (~ 1.4401)	

e-NSC SERIES MECHANICAL SEALS

Elastomer bellow seal with mounting dimensions according to EN 12756 and ISO 3069



POSITION 1 - 2	POSITION 3	POSITION 4 - 5
B : Resin impregnated carbon	E : EPDM	G : AISI 316
A : Antimony impregnated carbon	V : FKM (FPM)	
Q₇ : Silicon carbide		
U₃ : Tungsten carbide		

nsc_ten-mec-en_a_tm

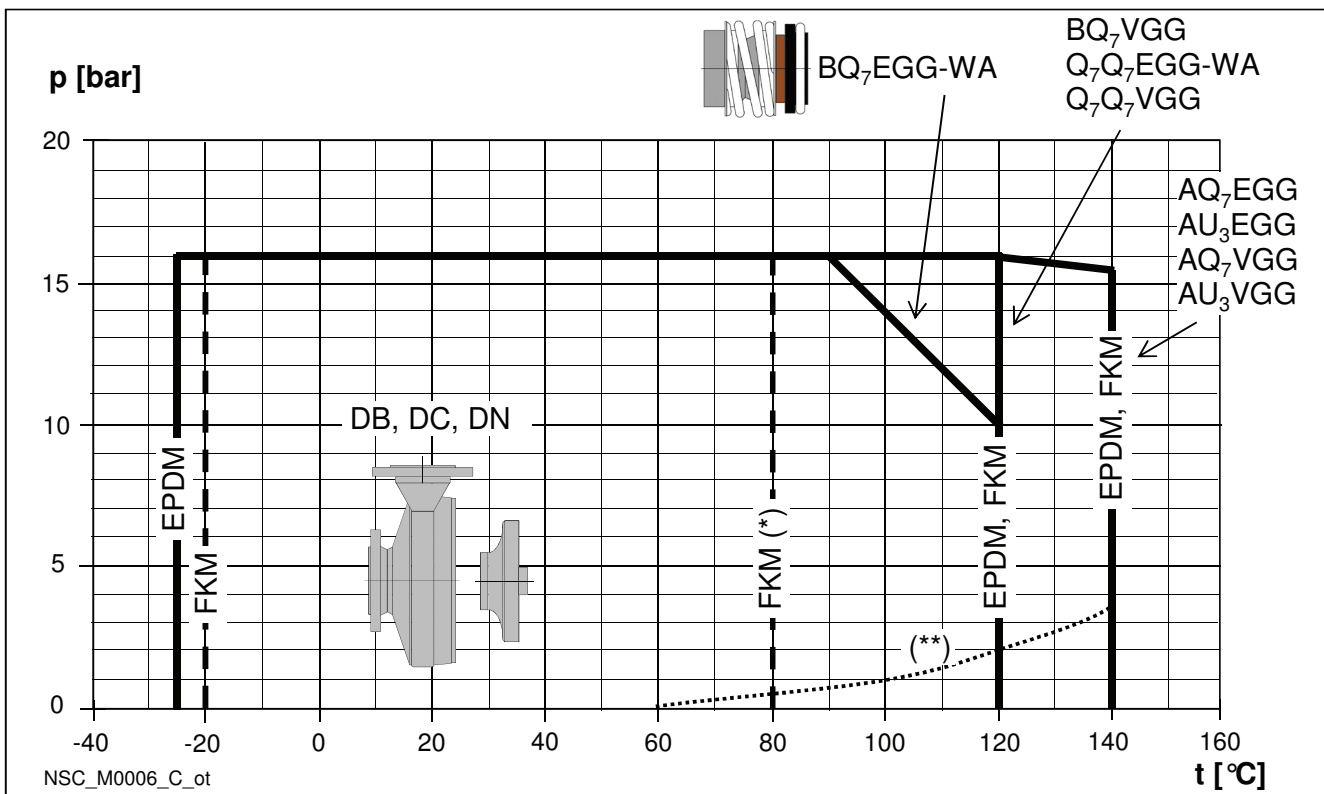
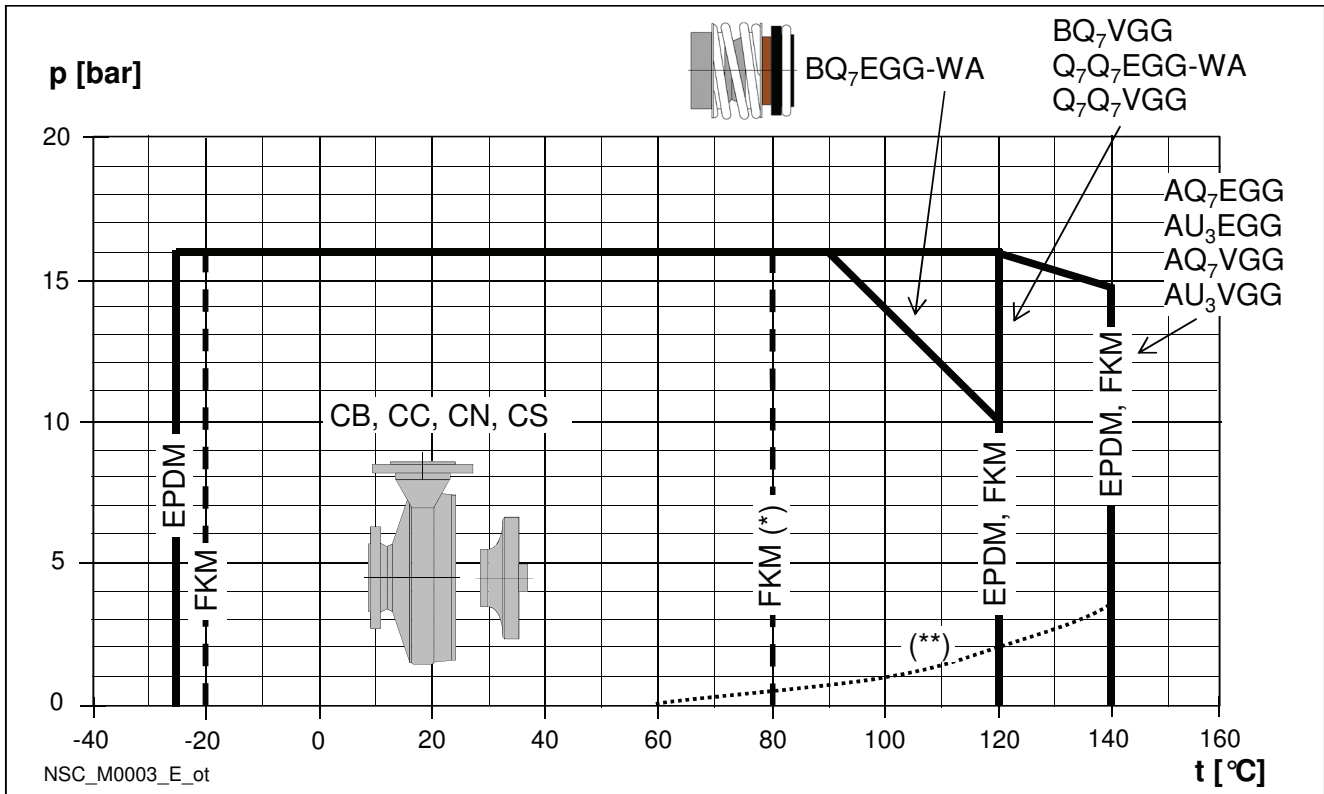
TYPE	POSITION					PRESSURE (bar)	RANGE TEMPERATURE (°C)
	1 ROTATING ASSEMBLY	2 FIXED ASSEMBLY	3 ELASTOMERS	4 SPRINGS	5 OTHER COMPONENTS		
STANDARD MECHANICAL SEAL							
B Q7 E G G - WA	B	Q ₇	E	G	G	16/10	-25 ... +90/+120
OTHER TYPES OF MECHANICAL SEAL							
B Q7 V G G	B	Q ₇	V	G	G	16	-20 ... +120 ^{*)}
Q7 Q7 E G G - WA	Q ₇	Q ₇	E	G	G	16	-25 ... +120
Q7 Q7 V G G	Q ₇	Q ₇	V	G	G	16	-20 ... +120 ^{*)}
A Q7 E G G (Ø≤38)	A	Q ₇	E	G	G	16	-25 ... +140
A U3 E G G (Ø>38)	A	U ₃	E	G	G	16	-25 ... +140
A Q7 V G G (Ø≤38)	A	Q ₇	V	G	G	16	-20 ... +140 ^{*)}
A U3 V G G (Ø>38)	A	U ₃	V	G	G	16	-20 ... +140 ^{*)}

^{*)} for hot water: max. +80 °C

nsc_tipi-ten-mec-en_c_tc

e-NSC SERIES

PRESSURE/TEMPERATURE APPLICATION LIMITS FOR COMPLETE PUMP

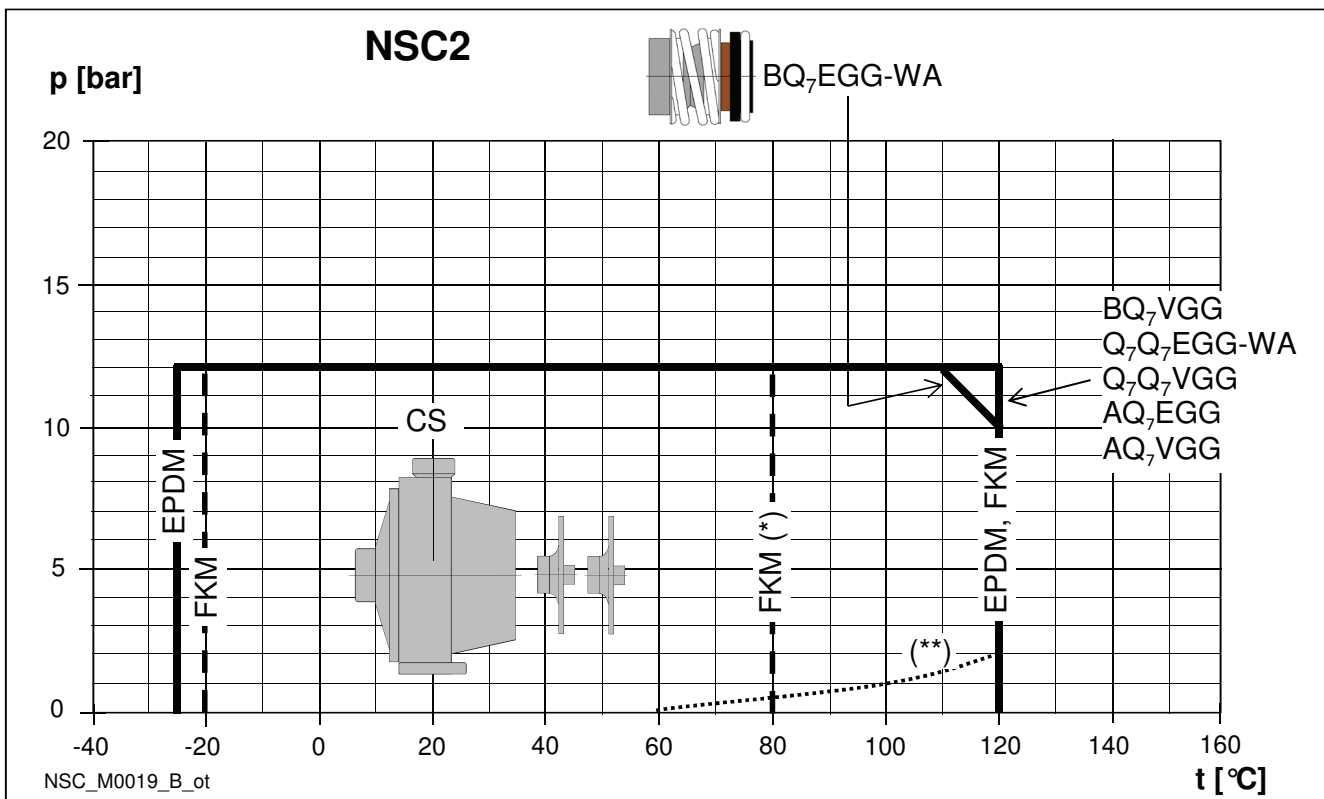
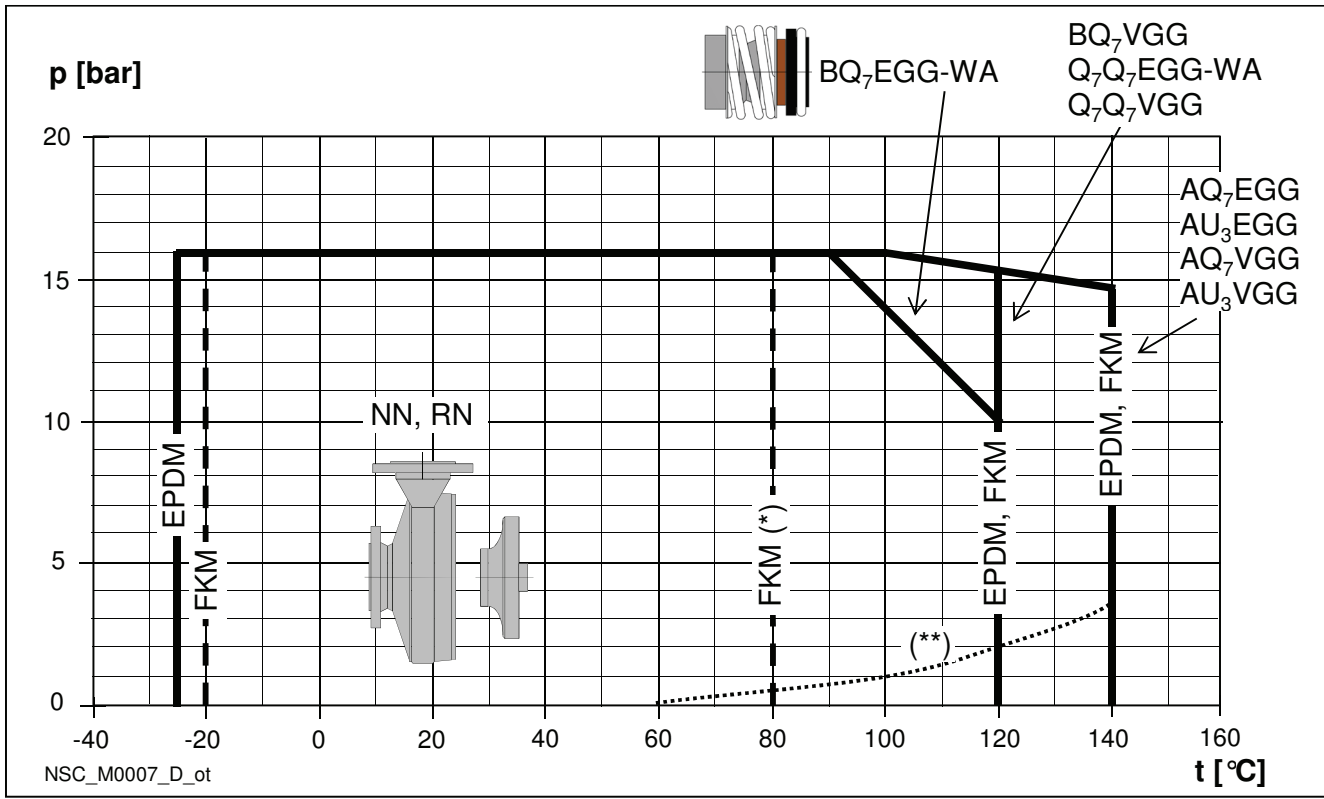


(*) hot water: max +80°C.

(**) minimum pressure required at mechanical seal (hot water; could be different in case of other liquids).

e-NSC SERIES

PRESSURE/TEMPERATURE APPLICATION LIMITS FOR COMPLETE PUMP

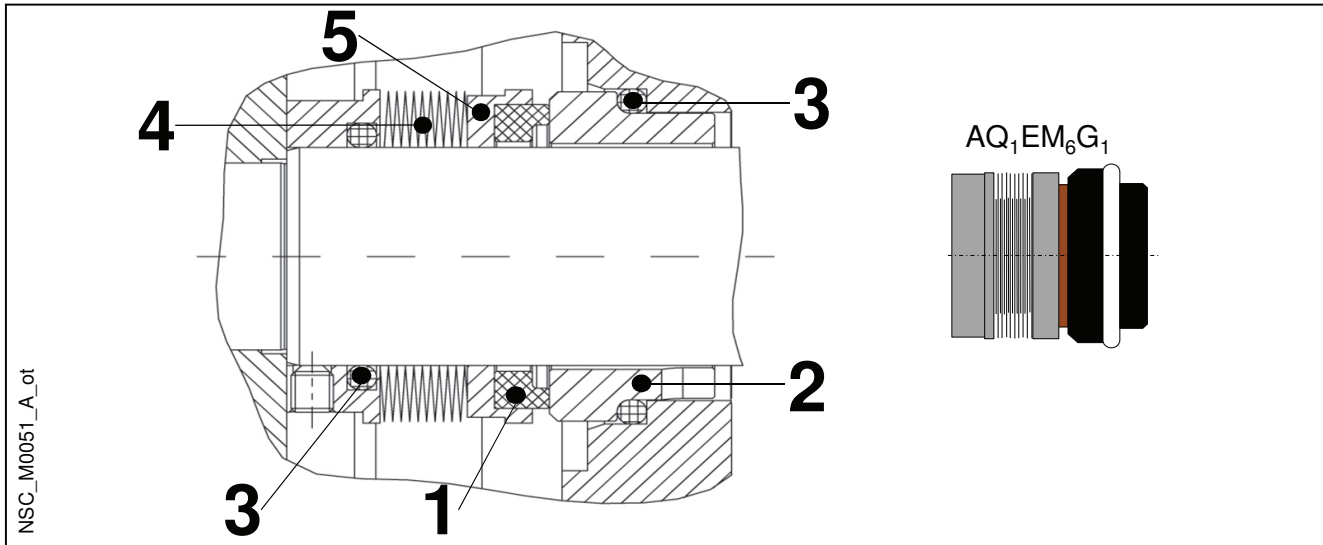


(*) hot water: max +80°C.

(**) minimum pressure required at mechanical seal (hot water; could be different in case of other liquids).

e-NSC SERIES MECHANICAL SEALS FOR DUPLEX VERSION

Balanced metal bellows seal with mounting dimensions according to EN 12756 and ISO 3069



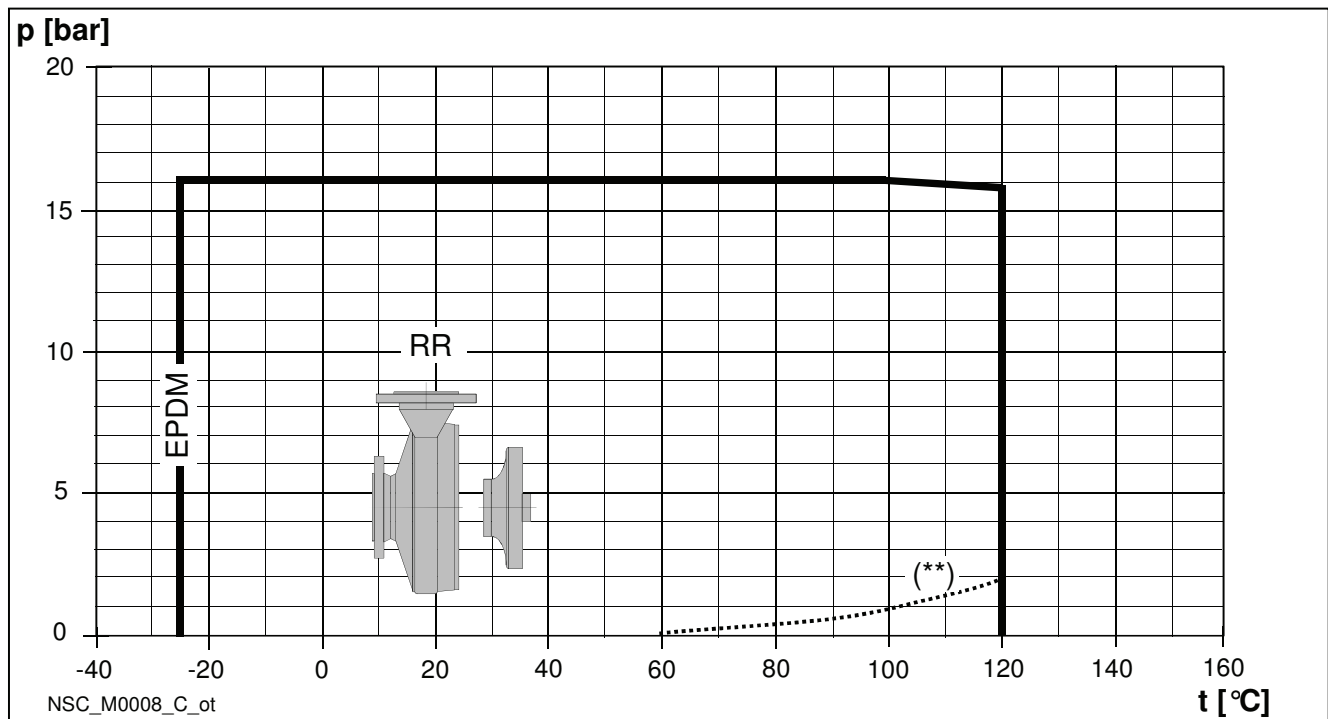
POSITION 1 - 2	POSITION 3	POSITION 4 - 5
A : Antimony impregnated carbon	E : EPDM	M6 : Inconel® 718
Q1 : Silicon carbide		G1 : Duplex

nsc_ten-mec_duplex-en_a_tm

TYPE	POSITION					PRESSURE (bar)	RANGE TEMPERATURE (°C)
	1 ROTATING ASSEMBLY	2 FIXED ASSEMBLY	3 ELASTOMERS	4 SPRINGS	5 OTHER COMPONENTS		
STANDARD MECHANICAL SEAL							
A Q ₁ E M ₆ G ₁	A	Q ₁	E	M ₆	G ₁	16	-25 ... +120

nsc_tipi-ten-mec-duplex-en_a_tc

PRESSURE/TEMPERATURE APPLICATION LIMITS FOR COMPLETE PUMP



NSC_M0008_C_ot

(**) minimum pressure required at mechanical seal (hot water; could be different in case of other liquids).

e-NSC SERIES MOTORS (ErP 2009/125/EC)

- Short-circuit squirrel-cage motor, enclosed construction with external ventilation (TEFC).
- Rated power from 1,5 to 110 kW for 2-pole range and from 0,25 to 400 kW for 4-pole range.
- **IP55** protection degree.
- Insulation class **155 (F)**.
- **Supplied three-phase surface motors with IE2 efficiency level (for power < 0,75 kW) or IE3 efficiency level (for power ≥ 0,75 kW) as standard according to EN 60034-30:2009 and EN 60034-30-1:2014.**
- Electrical performances according to EN 60034-1.
- Metric cable gland according to EN 50262.
- **Standard voltage**
Single-phase version: 220-230 V 60 Hz
 Built-in automatic reset overload protection.
Three-phase 2-pole version:
 220-230/380-400 V 60 Hz for power up to 22 kW.
 220/380 V 60 Hz for power from 22 to 55kW.
 380/660 V 60 Hz for power above 55 kW.
Three-phase 4-pole version:
 220-230/380-400 V 60 Hz for power up to 15 kW.
 220/380 V 60 Hz for power from 18,5 to 55 kW.
 380/660 V 60 Hz for power above 55 kW.
 Overload protection to be provided by the user.
- PTC included in motors from IEC size 200 and above (one per phase, 155°C).

From 1 July 2021 in accordance with the **Regulations (EU) 2019/1781 and 2021/341**, the three-phase 50 Hz, 60 Hz or 50/60 Hz **surface motors** with **power outputs ranging from 0,12 to 0,749 kW** must have a minimum level **IE2** efficiency; the ones with power outputs ranging **from 0,75 and 1000 kW** must have a minimum level of **IE3** efficiency.

From 1 July 2023, it will be introduced additional requirements.

The following tables also contain the mandatory information pursuant to Annex I, section 2, of the aforementioned Regulations.

NSCE SERIES SINGLE-PHASE MOTORS AT 60 Hz, 2 POLES

P _N kW	MOTOR TYPE	IEC SIZE*	Construction Design	INPUT CURRENT I _n (A) 220-230 V	CAPACITOR		DATA FOR 220 V 60 Hz VOLTAGE							Operating conditions**		
					μF	V	min ⁻¹	I _s / I _n	η %	cosφ	T _n Nm	T _s /T _n	T _m /T _n	Altitude above sea level (m)	T. amb min/max (°C)	ATEX
1,5	SM90RB14S2/1156	90R	B14	9,28-9,35	40	450	3455	4,91	76,3	0,96	4,14	0,49	2,19	1000	-15 / 40	NO
2,2	PLM90B14S2/1226	90	B14	12,3-11,7	60	450	3455	4,99	83,4	0,98	6,08	0,54	2,06	VI	-15 / 40	NO

* R = Reduced size of motor casing as compared to shaft extension and flange.

Nsce-motm-2p60-en_b_te

** Operating conditions to be referred to motor only. About electric pump, refer to limits in user's manual.

NSCE, NSC2 SERIES THREE-PHASE MOTORS AT 60 Hz, 2 POLES

P _N kW	Manufacturer		IEC SIZE*	Construction Design	N. of Poles	f _N Hz	Data for 380 V / 60 Hz Voltage				
	Xylem Service Italia Srl Reg. No. 07520560967 Montecchio Maggiore Vicenza - Italia						cosφ	I _s / I _N	T _N Nm	Ts/T _N	Tm/T _N
	Model										
1,5	SM90RB14S2/315 E3		90R	SPECIAL	2	60	0,82	9,79	4,10	4,36	4,37
2,2	PLM90B14S2/322 E3		90				0,82	9,80	6,01	3,80	4,01
3	PLM90B14S2/330 E3		90				0,82	9,35	8,21	4,26	4,10
4	PLM112RB14S2/340 E3		112R				0,87	10,0	10,9	2,43	4,53
5,5	PLM1122FHE/355 E3		112				0,88	12,0	15,0	4,70	5,55
	PLM112B14S2/355 E3		112								
7,5	PLM1322FHE/375 E3		132				0,87	11,0	20,2	3,31	4,98
	PLM132B14S2/375 E3		132								
9,2	PLM132B14S2/392 E3		132				0,87	11,0	24,9	3,55	5,00
11	PLM132B14S2/3110 E3		132				0,88	10,4	29,8	3,45	4,63
	PLM132B14S3/3110 E3		132								
15	PLM160B34S3/3150 E3		160				0,89	9,81	40,3	2,79	4,41
18,5	PLM160B34S3/3185 E3		160	0,89	10,1	49,7	2,78	4,59			
22	PLM160B34S3/3220 E3		160	0,87	11,3	59,1	3,27	5,18			

P _N kW	Voltage U _N V								n _N min ⁻¹	Operating conditions **		
	Δ		Y		Δ		Y			Altitude above sea Level (m)	T. amb min/max °C	ATEX
	220 V	230 V	380 V	400 V	380 V	400 V	660 V	690 V				
	I _N (A)											
1,5	5,58	5,53	3,22	3,19	3,23	3,22	1,86	1,86	3485 ÷ 3505	1000 VI	-15 / 40	No
2,2	7,97	7,93	4,60	4,58	4,59	4,57	2,65	2,64	3490 ÷ 3505			
3	10,9	10,8	6,30	6,23	6,32	6,29	3,65	3,63	3485 ÷ 3500			
4	13,4	13,2	7,76	7,62	7,78	7,63	4,49	4,41	3510 ÷ 3520			
5,5	18,2	18,0	10,5	10,4	10,5	10,5	6,08	6,06	3505 ÷ 3515			
7,5	25,0	24,7	14,5	14,2	14,4	14,1	8,34	8,15	3535 ÷ 3540			
9,2	30,4	29,9	17,6	17,3	17,7	17,5	10,2	10,1	3590 ÷ 3540			
11	35,7	35,0	20,6	20,2	21,0	20,8	12,1	12,0	3530 ÷ 3540			
15	47,6	46,4	27,5	26,8	27,8	27,1	16,1	15,6	3550 ÷ 3560			
18,5	58,7	57,5	33,9	33,2	34,0	33,2	19,6	19,2	3550 ÷ 3555			
22	71,1	70,2	41,1	40,5	40,8	39,8	23,5	23,0	3555 ÷ 3560			

P _N kW	Efficiency η _N												IE
	Δ 220 V Y 380 V			Δ 230 V Y 400 V			Δ 380 V Y 660 V			Δ 400 V Y 690 V			
	4/4	3/4	2/4	4/4	3/4	2/4	4/4	3/4	2/4	4/4	3/4	2/4	
1,5	87,2	87,0	84,6	87,2	87,0	84,6	87,2	87,0	84,6	87,2	87,0	84,6	3
2,2	87,7	87,2	84,7	87,7	87,2	84,7	87,7	87,2	84,7	87,7	87,2	84,7	
3	89,1	88,8	86,9	89,1	88,8	86,9	89,1	88,8	86,9	89,1	88,8	86,9	
4	91,0	91,0	89,6	91,0	91,0	89,6	91,0	91,0	89,6	91,0	91,0	89,6	
5,5	91,0	90,5	88,6	91,0	90,5	88,6	91,0	90,5	88,6	91,0	90,5	88,6	
7,5	90,8	90,2	88,1	90,8	90,2	88,1	90,8	90,2	88,1	90,8	90,2	88,1	
9,2	91,7	91,3	89,4	91,7	91,3	89,4	91,7	91,3	89,4	91,7	91,3	89,4	
11	92,4	92,3	90,9	92,4	92,3	90,9	92,4	92,3	90,9	92,4	92,3	90,9	
15	93,4	93,1	91,7	93,4	93,1	91,7	93,4	93,1	91,7	93,4	93,1	91,7	
18,5	93,5	93,2	91,9	93,5	93,2	91,9	93,5	93,2	91,9	93,5	93,2	91,9	
22	93,4	92,7	90,8	93,4	92,7	90,8	93,4	92,7	90,8	93,4	92,7	90,8	

* R = Reduced size of motor casing as compared to shaft extension and flange.

Nsce-IE3-mott-2p60-en_d_te

** Operating conditions to be referred to motor only. About electric pump, refer to limits in user's manual.

NSCS SERIES

THREE-PHASE MOTORS AT 60 Hz, 2 POLES (up to 22 kW)

P _N kW	Manufacturer	IEC SIZE*	Construction Design	N. of Poles	f _N Hz	Data for 380 V / 60 Hz Voltage				
	Xylem Service Italia Srl Reg. No. 07520560967 Montecchio Maggiore Vicenza - Italia					cosφ	I _s / I _N	T _N Nm	T _s /T _N	T _m /T _n
	Model									
1,5	SM90RB5/315 E3	90R	B5	2	60	0,82	9,79	4,10	4,36	4,37
2,2	PLM90B5/322 E3	90				0,82	9,80	6,01	3,80	4,01
3	PLM100RB5/330 E3	100R				0,82	9,35	8,21	4,26	4,10
4	PLM112RB5/340 E3	112R				0,87	10,0	10,9	2,43	4,53
5,5	PLM132RB5/355 E3	132R				0,88	12,0	15,0	4,70	5,55
7,5	PLM132B5/375 E3	132				0,87	11,0	20,2	3,31	4,98
11	PLM160B35/3110 E3	160	B35	2	60	0,89	9,00	29,6	2,43	4,26
15	PLM160B35/3150 E3	160				0,89	9,81	40,3	2,79	4,41
18,5	PLM160B35/3185 E3	160				0,89	10,1	49,7	2,78	4,59
22	PLM180RB35/3220 E3	180R				0,87	11,3	59,1	3,27	5,18

P _N kW	Voltage U _N V								n _N min ⁻¹	Operating conditions **		
	Δ		Y		Δ		Y			Altitude above sea Level (m)	T. amb min/max °C	ATEX
	220 V	230 V	380 V	400 V	380 V	400 V	660 V	690 V				
	I _N (A)											
1,5	5,58	5,53	3,22	3,19	3,23	3,22	1,86	1,86	3485 ÷ 3505	VI 1000	-15 / 50	No
2,2	7,97	7,93	4,60	4,58	4,59	4,57	2,65	2,64	3490 ÷ 3505			
3	10,9	10,8	6,30	6,23	6,32	6,29	3,65	3,63	3485 ÷ 3500			
4	13,4	13,2	7,76	7,62	7,78	7,63	4,49	4,41	3510 ÷ 3520			
5,5	18,2	18,0	10,5	10,4	10,5	10,5	6,08	6,06	3505 ÷ 3515			
7,5	25,0	24,7	14,5	14,2	14,4	14,1	8,34	8,15	3535 ÷ 3540			
11	35,3	34,3	20,4	19,8	20,4	19,6	11,8	11,3	3545 ÷ 3555			
15	47,6	46,4	27,5	26,8	27,8	27,1	16,1	15,6	3550 ÷ 3560			
18,5	58,7	57,5	33,9	33,2	34,0	33,2	19,6	19,2	3550 ÷ 3555			
22	71,1	70,2	41,1	40,5	40,8	39,8	23,5	23,0	3555 ÷ 3560			

P _N kW	Efficiency η _N %												IE
	Δ 220 V Y 380 V			Δ 230 V Y 400 V			Δ 380 V Y 660 V			Δ 400 V Y 690 V			
	4/4	3/4	2/4	4/4	3/4	2/4	4/4	3/4	2/4	4/4	3/4	2/4	
1,5	87,2	87,0	84,6	87,2	87,0	84,6	87,2	87,0	84,6	87,2	87,0	84,6	3
2,2	87,7	87,2	84,7	87,7	87,2	84,7	87,7	87,2	84,7	87,7	87,2	84,7	
3	89,1	88,8	86,9	89,1	88,8	86,9	89,1	88,8	86,9	89,1	88,8	86,9	
4	91,0	91,0	89,6	91,0	91,0	89,6	91,0	91,0	89,6	91,0	91,0	89,6	
5,5	91,0	90,5	88,6	91,0	90,5	88,6	91,0	90,5	88,6	91,0	90,5	88,6	
7,5	90,8	90,2	88,1	90,8	90,2	88,1	90,8	90,2	88,1	90,8	90,2	88,1	
11	92,5	92,2	90,6	92,5	92,2	90,6	92,5	92,2	90,6	92,5	92,2	90,6	
15	93,4	93,1	91,7	93,4	93,1	91,7	93,4	93,1	91,7	93,4	93,1	91,7	
18,5	93,5	93,2	91,9	93,5	93,2	91,9	93,5	93,2	91,9	93,5	93,2	91,9	
22	93,4	92,7	90,8	93,4	92,7	90,8	93,4	92,7	90,8	93,4	92,7	90,8	

* R = Reduced size of motor casing as compared to shaft extension and flange.

Nscs-IE3-mott-2p60-en_c_te

** Operating conditions to be referred to motor only. About electric pump, refer to limits in user's manual.

NSCS SERIES

THREE-PHASE MOTORS AT 60 Hz, 2 POLES (from 30 to 90 kW)

P _N kW	Manufacturer	IEC SIZE	Construction Design	N. of Poles	f _N Hz	Data for 380 V / 60 Hz Voltage				
	OMEGA MOTOR SANAYI A.S.Dudullu Organize Sanayi Bölgesi2. Cadde No: 10 34775 Ümraniye/İSTANBUL/TURKEY Reg. No. 913733					cosφ	I _s / I _N	T _N Nm	T _s /T _N	T _m /T _N
	Model									
30	3MAS 200LA2 B35 30KW E3	200	B35	2	60	0,90	7,20	80,36	2,20	2,70
37	3MAS 200LB2 B35 37KW E3	200				0,90	7,20	99,53	2,10	2,70
45	3MAS 225M2 B35 45KW E3	225				0,91	8,10	120,4	2,30	3,20
55	3MGS 250M2 B35 55KW E3	250				0,91	8,00	146,9	2,40	3,10
75	3MGS 280S2 B35 75KW E3	280				0,90	8,10	200,1	2,30	3,00
90	3MGS 280M2 B35 90KW E3	280				0,90	7,80	239,7	2,40	3,30

P _N kW	Voltage U _N V				n _N min ⁻¹	Operating conditions **		
	Δ		Y			Altitude above sea Level (m)	T. amb min/max °C	ATEX
	220 V	380 V	380 V	660 V				
	I _N (A)							
30	94,7	54,8	55,1	31,7	3565	1000 VI	-20 / 50	No
37	116,0	67,2	67,2	38,7	3560			
45	138,7	80,3	80,7	46,5	3565			
55	169,5	98,1	98,1	56,5	3575			
75	232,4	134,6	134,6	77,5	3585			
90	276,3	159,9	159,9	92,1	3585			

P _N kW	Efficiency η _N %						IE
	Δ 220 V Y 380 V			Δ 380 V Y 660 V			
	4/4	3/4	2/4	4/4	3/4	2/4	
30	92,4	92,8	92,7	92,4	92,8	92,7	3
37	93,0	93,7	93,2	93,0	93,7	93,2	
45	93,6	93,6	93,5	93,6	93,6	93,5	
55	93,6	94,2	93,5	93,6	94,2	93,5	
75	-	-	-	94,1	94,2	93,7	
90	-	-	-	95,0	95,2	94,8	

** Operating conditions to be referred to motor only. About electric pump, refer to limits in user's manual.

Nscs-IE3-mott90-2p60-en_b_te

NSCF, NSCC SERIES

THREE-PHASE MOTORS AT 60 Hz, 2 POLES (up to 18,5 kW)

P _N kW	Manufacturer		IEC SIZE	Construction Design	N. of Poles	f _N Hz	Data for 380 V / 60 Hz Voltage				
	Xylem Service Italia Srl Reg. No. 07520560967 Montecchio Maggiore Vicenza - Italia						cosφ	I _s / I _N	T _N Nm	T _s /T _N	T _m /T _N
	Model										
1,5	PLM90B3/315 E3		90	B3	2	60	0,89	8,70	4,11	3,23	3,47
2,2	PLM90B3/322 E3		90				0,82	9,80	6,01	3,80	4,01
3	PLM100B3/330 E3		100				0,85	10,5	8,15	3,27	4,61
4	PLM112B3/340 E3		112				0,88	10,1	10,9	3,85	4,61
5,5	PLM132B3/355 E3		132				0,86	10,6	14,9	3,23	4,8
7,5	PLM132B3/375 E3		132				0,87	11,0	20,2	3,31	4,98
11	PLM160B3/3110 E3		160				0,89	9,00	29,6	2,43	4,26
15	PLM160B3/3150 E3		160				0,89	9,81	40,3	2,79	4,41
18,5	PLM160B3/3185 E3		160				0,89	10,1	49,7	2,78	4,59

P _N kW	Voltage U _N V								η _N min ⁻¹	Operating conditions **		
	Δ		Y		Δ		Y			Altitude above sea Level (m)	T. amb min/max °C	ATEX
	220 V	230 V	380 V	400 V	380 V	400 V	660 V	690 V				
	I _N (A)											
1,5	5,31	5,19	3,07	3,00	3,06	3,00	1,77	1,73	3485 ÷ 3500	1000 VI	-15 / 50	No
2,2	7,97	7,93	4,60	4,58	4,59	4,57	2,65	2,64	3490 ÷ 3505			
3	10,2	10,2	5,91	5,88	5,86	5,77	3,38	3,33	3510 ÷ 3525			
4	13,3	13,1	7,66	7,54	7,67	7,52	4,43	4,34	3500 ÷ 3510			
5,5	18,8	18,6	10,9	10,7	10,9	10,7	6,28	6,18	3535 ÷ 3540			
7,5	25,0	24,7	14,5	14,2	14,4	14,1	8,34	8,15	3535 ÷ 3540			
11	35,3	34,3	20,4	19,8	20,4	19,6	11,80	11,30	3545 ÷ 3555			
15	47,6	46,4	27,5	26,8	27,8	27,1	16,1	15,6	3550 ÷ 3560			
18,5	58,7	57,5	33,9	33,2	34,0	33,2	19,6	19,2	3550 ÷ 3555			

P _N kW	Efficiency η _N												IE
	Δ 220 V Y 380 V			Δ 230 V Y 400 V			Δ 380 V Y 660 V			Δ 400 V Y 690 V			
	4/4	3/4	2/4	4/4	3/4	2/4	4/4	3/4	2/4	4/4	3/4	2/4	
1,5	86,4	86,5	84,0	86,4	86,5	84,0	86,4	86,5	84,0	86,4	86,5	84,0	3
2,2	87,7	87,2	84,7	87,7	87,2	84,7	87,7	87,2	84,7	87,7	87,2	84,7	
3	90,0	89,6	87,4	90,0	89,6	87,4	90,0	89,6	87,4	90,0	89,6	87,4	
4	89,8	89,5	87,5	89,8	89,5	87,5	89,8	89,5	87,5	89,8	89,5	87,5	
5,5	90,5	89,7	87,2	90,5	89,7	87,2	90,5	89,7	87,2	90,5	89,7	87,2	
7,5	90,8	90,2	88,1	90,8	90,2	88,1	90,8	90,2	88,1	90,8	90,2	88,1	
11	92,5	92,2	90,6	92,5	92,2	90,6	92,5	92,2	90,6	92,5	92,2	90,6	
15	93,4	93,1	91,7	93,4	93,1	91,7	93,4	93,1	91,7	93,4	93,1	91,7	
18,5	93,5	93,2	91,9	93,5	93,2	91,9	93,5	93,2	91,9	93,5	93,2	91,9	

** Operating conditions to be referred to motor only. About electric pump, refer to limits in user's manual.

Nscf-IE3-mott18-2p60-en_c_te

NSCF, NSCC SERIES

THREE-PHASE MOTORS AT 60 Hz, 2 POLES (from 22 to 110 kW)

P _N kW	Manufacturer	IEC SIZE	Construction Design	N. of Poles	f _N Hz	Data for 380 V / 60 Hz Voltage				
	OMEGA MOTOR SANAYI A.S.Dudullu Organize Sanayi Bölgesi2. Cadde No: 10 34775 ÜmraniyeİSTANBUL/TURKEY Reg. No. 913733					cosφ	Is / I _N	T _N Nm	Ts/T _N	Tm/T _N
	Model									
22	3MAS 180M2 B3 22KW E3	180	B3	2	60	0,91	7,20	59,10	2,10	2,70
30	3MAS 200LA2 B3 30KW E3	200				0,90	7,20	80,36	2,20	2,70
37	3MAS 200LB2 B3 37KW E3	200				0,90	7,20	99,53	2,10	2,70
45	3MAS 225M2 B3 45KW E3	225				0,91	8,10	120,4	2,30	3,20
55	3MGS 250M2 B3 55KW E3	250				0,91	8,00	146,9	2,40	3,10
75	3MGS 280S2 B3 75KW E3	280				0,90	8,10	200,1	2,30	3,00
90	3MGS 280M2 B3 90KW E3	280				0,90	7,80	239,7	2,40	3,30
110	3MGS 315S2 B3 110KW E3	315				0,90	8,00	292,6	2,30	3,20

P _N kW	Voltage U _N V				n _N min ⁻¹	Operating conditions **		
	Δ		Y			Altitude above sea Level (m)	T. amb min/max °C	ATEX
	220 V	380 V	380 V	660 V				
	I _N (A)							
22	69,2	40,1	40,5	23,3	3555	≤ 1000	-20 / 50	No
30	94,7	54,8	55,1	31,7	3565			
37	116,0	67,2	67,2	38,7	3560			
45	138,7	80,3	80,7	46,5	3565			
55	169,5	98,1	98,1	56,5	3575			
75	232,4	134,6	134,6	77,5	3585			
90	276,3	159,9	159,9	92,1	3585			
110	337,6	195,5	197,7	113,8	3590			

P _N kW	Efficiency η _N %						IE
	Δ 220 V Y 380 V			Δ 380 V Y 660 V			
	4/4	3/4	2/4	4/4	3/4	2/4	
22	91,7	92,0	92,0	91,7	92,0	92,0	3
30	92,4	92,8	92,7	92,4	92,8	92,7	
37	93,0	93,7	93,2	93,0	93,7	93,2	
45	93,6	93,6	93,5	93,6	93,6	93,5	
55	93,6	94,2	93,5	93,6	94,2	93,5	
75	-	-	-	94,1	94,2	93,7	
90	-	-	-	95,0	95,2	94,8	
110	-	-	-	95,0	95,3	94,9	

** Operating conditions to be referred to motor only. About electric pump, refer to limits in user's manual.

Nscf-IE3-mott110-2p60-en_b_te

NSCE, NSC2 SERIES THREE-PHASE MOTORS AT 60 Hz, 4 POLES

P _N kW	Manufacturer	IEC SIZE*	Construction Design	N. of Poles	f _N Hz	Data for 380 V / 60 Hz				
	Xylem Service Italia Srl Reg. No. 07520560967 Montecchio Maggiore Vicenza - Italia					cosφ	Is / I _N	TN	Ts/T _N	Tm/T _n
	Model									
0,25	LLM471B5/302	71	B5	4	60	0,72	4,50	1,40	1,90	2,00
0,37	LLM471B5/304	71				0,60	6,50	2,10	3,50	3,70
0,55	LLM490RB14S2/305	90R	SPECIAL	4	60	0,76	5,00	3,02	2,70	2,90
0,75	LLM490RB14S2/307	90R				0,75	6,26	4,14	2,82	3,53
1,1	PLM4902FHE/311 E3	90				0,70	6,55	6,02	2,50	3,52
	PLM490B5S2/311 E3	90								
1,5	PLM490B5S2/315 E3	90				0,69	7,34	8,18	2,99	4,10
2,2	PLM4100B5S3/322 E3	100				0,77	7,74	12,00	2,28	3,80
3	PLM4100B5S3/330 E3	100				0,74	8,18	16,3	2,35	4,39
4	PLM4112B5S3/340 E3	112				0,79	8,81	21,8	3,01	4,18
5,5	PLM4132B14S3/355 E3	132				0,77	7,67	29,7	2,63	3,61
7,5	PLM4132B14S3/375 E3	132				0,79	7,88	40,7	2,54	3,53

P _N kW	Voltage U _N V								η _N min ⁻¹	Operating conditions **		
	Δ		Y		Δ		Y			Altitude above sea Level (m)	T. amb min/max °C	ATEX
	220 V	230 V	380 V	400 V	380 V	400 V	660 V	690 V				
	I _N (A)											
0,25	1,30	1,21	0,75	0,7	-	-	-	-	1700	1000 VI	-15 / 40	No
0,37	1,99	1,91	1,15	1,1	-	-	-	-	1725			
0,55	2,42	2,25	1,40	1,3	-	-	-	-	1740			
0,75	3,00	3,00	1,75	1,75	1,75	1,75	1,00	1,00	1735 ÷ 1745			
1,1	4,76	4,77	2,75	2,75	2,72	2,72	1,57	1,57	1740 ÷ 1750			
1,5	6,53	6,59	3,77	3,80	3,78	3,81	2,18	2,20	1750 ÷ 1755			
2,2	8,4	8,28	4,84	4,78	4,82	4,76	2,78	2,75	1755 ÷ 1760			
3	12,0	12,0	6,91	6,95	6,75	6,72	3,89	3,88	1755 ÷ 1760			
4	14,7	14,5	8,50	8,39	8,46	8,35	4,89	4,82	1750 ÷ 1760			
5,5	20,6	20,4	11,9	11,8	12,0	11,9	6,95	6,88	1765 ÷ 1770			
7,5	27,1	26,7	15,7	15,4	15,7	15,5	9,08	8,94	1760 ÷ 1765			

P _N kW	Efficiency η _N %												IE
	Δ 220 V Y 380 V			Δ 230 V Y 400 V			Δ 380 V Y 660 V			Δ 400 V Y 690 V			
	4/4	3/4	2/4	4/4	3/4	2/4	4/4	3/4	2/4	4/4	3/4	2/4	
0,25	70,0	71,9	67,3	69,9	71,5	67,1	-	-	-	-	-	-	2
0,37	72,0	74,5	68,7	71,9	74,2	68,1	-	-	-	-	-	-	
0,55	81,7	82,1	79,5	82,2	81,8	78,8	-	-	-	-	-	-	
0,75	85,7	85,4	82,9	85,7	85,4	82,9	85,7	85,4	82,9	85,7	85,4	82,9	3
1,1	87,0	86,2	83,2	87,0	86,2	83,2	87,0	86,2	83,2	87,0	86,2	83,2	
1,5	88,0	87,0	84,0	88,0	87,0	84,0	88,0	87,0	84,0	88,0	87,0	84,0	
2,2	89,5	89,4	87,5	89,5	89,4	87,5	89,5	89,4	87,5	89,5	89,4	87,5	
3	90,0	89,5	87,3	90,0	89,5	87,3	90,0	89,5	87,3	90,0	89,5	87,3	
4	90,0	89,9	88,1	90,0	89,9	88,1	90,0	89,9	88,1	90,0	89,9	88,1	
5,5	91,7	91,2	89,4	91,7	91,2	89,4	91,7	91,2	89,4	91,7	91,2	89,4	
7,5	91,7	91,8	90,4	91,7	91,8	90,4	91,7	91,8	90,4	91,7	91,8	90,4	

* R = Reduced size of motor casing as compared to shaft extension and flange.

Nsce-IE3-mott-4p60-en_c_te

** Operating conditions to be referred to motor only. About electric pump, refer to limits in user's manual.

NSCS SERIES THREE-PHASE MOTORS AT 60 Hz, 4 POLES

P _N kW	Manufacturer	IEC SIZE	Construction Design	N. of Poles	f _N Hz	Data for 380 V / 60 Hz				
	Xylem Service Italia Srl Reg. No. 07520560967 Montecchio Maggiore Vicenza - Italia					cosφ	Is / I _N	TN Nm	Ts/T _N	Tm/T _N
	Model									
0,55	LLM480B5/305	80	B5	4	60	0,76	5,00	3,02	2,70	2,90
0,75	LLM480B5/307	80				0,79	6,50	4,10	3,30	3,80
1,1	PLM490B5/311 E3	90				0,70	6,55	6,02	2,50	3,52
1,5	PLM490B5/315 E3	90				0,69	7,34	8,18	2,99	4,10
2,2	PLM4100B5/322 E3	100				0,77	7,74	12,0	2,28	3,80
3	PLM4100B5/330 E3	100				0,74	8,18	16,3	2,35	4,39
4	PLM4112B5/340 E3	112				0,79	8,81	21,8	3,01	4,18
5,5	PLM4132B5/355 E3	132				0,77	7,67	29,7	2,63	3,61
7,5	PLM4132B5/375 E3	132				0,79	7,88	40,7	2,54	3,53
11	PLM4160B35/3110 E3	160				B35	0,82	7,50	59,3	2,46
15	PLM4160B35/3150 E3	160	0,79	8,83	80,7		2,91	3,99		

P _N kW	Voltage U _N V								n _N min ⁻¹	Operating conditions **		
	Δ		Y		Δ		Y			Altitude above sea Level (m)	T. amb min/max °C	ATEX
	220 V	230 V	380 V	400 V	380 V	400 V	660 V	690 V				
	I _N (A)											
0,55	2,42	2,25	1,40	1,30	-	-	-	-	1740	1000 VI	-15 / 40	No
0,75	3,00	3,00	1,75	1,75	1,75	1,75	1,00	1,00	1735 ÷ 1745			
1,1	4,76	4,77	2,75	2,75	2,72	2,72	1,57	1,57	1740 ÷ 1750			
1,5	6,53	6,59	3,77	3,80	3,78	3,81	2,18	2,20	1750 ÷ 1755			
2,2	8,38	8,28	4,84	4,78	4,82	4,76	2,78	2,75	1755 ÷ 1760			
3	12,0	12,0	6,91	6,95	6,75	6,72	3,89	3,88	1755 ÷ 1760			
4	14,7	14,5	8,50	8,39	8,46	8,35	4,89	4,82	1750 ÷ 1760			
5,5	20,6	20,4	11,9	11,8	12,0	11,9	6,95	6,88	1765 ÷ 1770			
7,5	27,1	26,7	15,7	15,4	15,7	15,5	9,08	8,94	1760 ÷ 1765			
11	38,1	37,4	22,0	21,6	22,0	21,5	12,7	12,4	1770 ÷ 1770			
15	53,2	53,4	30,7	30,8	30,4	30,2	17,5	17,4	1770 ÷ 1775			

P _N kW	Efficiency η _N %												IE
	Δ 220 V			Δ 230 V			Δ 380 V			Δ 400 V			
	Y 380 V			Y 400 V			Y 660 V			Y 690 V			
	4/4	3/4	2/4	4/4	3/4	2/4	4/4	3/4	2/4	4/4	3/4	2/4	
0,55	81,7	82,1	79,5	82,2	81,8	78,8	-	-	-	-	-	-	2
0,75	85,7	85,4	82,9	85,7	85,4	82,9	85,7	85,4	82,9	85,7	85,4	82,9	3
1,1	87,0	86,2	83,2	87,0	86,2	83,2	87,0	86,2	83,2	87,0	86,2	83,2	
1,5	88,0	87,0	84,0	88,0	87,0	84,0	88,0	87,0	84,0	88,0	87,0	84,0	
2,2	89,5	89,4	87,5	89,5	89,4	87,5	89,5	89,4	87,5	89,5	89,4	87,5	
3	90,0	89,5	87,3	90,0	89,5	87,3	90,0	89,5	87,3	90,0	89,5	87,3	
4	90,0	89,9	88,1	90,0	89,9	88,1	90,0	89,9	88,1	90,0	89,9	88,1	
5,5	91,7	91,2	89,4	91,7	91,2	89,4	91,7	91,2	89,4	91,7	91,2	89,4	
7,5	91,7	91,8	90,4	91,7	91,8	90,4	91,7	91,8	90,4	91,7	91,8	90,4	
11	92,7	92,7	91,4	92,7	92,7	91,4	92,7	92,7	91,4	92,7	92,7	91,4	
15	93,3	92,9	91,4	93,3	92,9	91,4	93,3	92,9	91,4	93,3	92,9	91,4	

** Operating conditions to be referred to motor only. About electric pump, refer to limits in user's manual.

Nscs-IE3-mott15-4p60-en_c_te

NSCS SERIES

THREE-PHASE MOTORS AT 60 Hz, 4 POLES (from 18,5 to 90 kW)

P _N kW	Manufacturer	IEC SIZE	Construction Design	N. of Poles	f _N Hz	Data for 380 V / 60 Hz				
	OMEGA MOTOR SANAYI A.S.Dudullu Organize Sanayi Bölgesi2. Cadde No: 10 34775 Ümraniye/STANBUL/TURKEY Reg. No. 913733					cosφ	I _s / I _N	TN Nm	T _s /T _N	T _m /T _n
	Model									
18,5	3MAS 180M4 B35 18.5kW E3	180	B35	4	60	0,81	6,40	99,8	2,20	2,50
22	3MAS 180L4 B35 22kW E3	180				0,84	6,50	118,4	2,30	2,40
30	3MAS 200L4 B35 30kW E3	200				0,88	7,20	161,4	2,60	2,80
37	3MAS 225S4 B35 37kW E3	225				0,85	7,90	199,1	2,70	3,00
45	3MAS 225M4 B35 45kW E3	225				0,88	7,40	242,1	2,50	2,70
55	3MGS 250M4 B35 55kW E3	250				0,88	8,90	294,2	2,80	3,10
75	3MGS 280S4 B35 75kW E3	280				0,87	7,50	401,2	2,40	2,90
90	3MGS 280M4 B35 90kW E3	280				0,87	7,90	482,8	2,50	3,10

P _N kW	Voltage U _N V				n _N min ⁻¹	Operating conditions **		
	Δ		Y			Altitude above sea Level (m)	T. amb min/max °C	ATEX
	220 V	380 V	380 V	660 V				
	I _N (A)							
18,5	64,0	37,1	36,6	21,1	1770	VI 1000	-20 / 50	No
22	73,4	42,5	43,0	24,8	1775			
30	95,1	55,0	55,7	32,1	1775			
37	120,9	70,0	69,2	39,8	1775			
45	141,3	81,8	81,8	47,1	1770			
55	171,9	99,5	100,7	58,0	1785			
75	237	137	138,9	80,0	1785			
90	285	165	164,8	94,9	1790			

P _N kW	Efficiency η _N %						IE
	Δ 220 V Y 380 V			Δ 380 V Y 660 V			
	4/4	3/4	2/4	4/4	3/4	2/4	
18,5	93,6	93,9	93,5	93,6	93,9	93,5	3
22	93,6	93,7	93,4	93,6	93,7	93,4	
30	94,1	94,2	93,8	94,1	94,2	93,8	
37	94,5	94,7	94,1	94,5	94,7	94,1	
45	95,0	95,1	94,7	95,0	95,1	94,7	
55	95,4	95,5	95,0	95,4	95,5	95,0	
75	-	-	-	95,4	95,4	95,1	
90	-	-	-	95,4	95,4	95,3	

** Operating conditions to be referred to motor only. About electric pump, refer to limits in user's manual.

Nscs-IE3-mott90-4p60-en_b_te

NSCF, NSCC SERIES

THREE-PHASE MOTORS AT 60 Hz, 4 POLES (from 0,25 to 15 kW)

P _N kW	Manufacturer		IEC SIZE	Construction Design	N. of Poles	f _N Hz	Data for 380 V / 60 Hz				
	Xylem Service Italia Srl Reg. No. 07520560967 Montecchio Maggiore Vicenza - Italia						cosφ	I _s / I _N	TN Nm	T _s /T _N	T _m /T _N
	Model										
0,75	LLM480B3/307		80	B3	4	60	0,79	6,50	4,10	3,30	3,80
1,1	PLM490B3/311 E3		90				0,70	6,55	6,02	2,50	3,52
1,5	PLM490B3/315 E3		90				0,69	7,34	8,18	2,99	4,1
2,2	PLM4100B3/322 E3		100				0,77	7,74	12,0	2,28	3,8
3	PLM4100B3/330 E3		100				0,74	8,18	16,3	2,35	4,39
4	PLM4112B3/340 E3		112				0,79	8,81	21,8	3,01	4,18
5,5	PLM4132B3/355 E3		132				0,77	7,67	29,7	2,63	3,61
7,5	PLM4132B3/375 E3		132				0,79	7,88	40,7	2,54	3,53
11	PLM4160B3/3110 E3		160				0,82	7,50	59,3	2,46	3,27
15	PLM4160B3/3150 E3		160				0,79	8,83	80,7	2,91	3,99

P _N kW	Voltage U _N V								n _N min ⁻¹	Operating conditions **		
	Δ		Y		Δ		Y			Altitude above sea Level (m)	T. amb min/max °C	ATEX
	220 V	230 V	380 V	400 V	380 V	400 V	660 V	690 V				
	I _N (A)											
0,75	3,00	3,00	1,75	1,75	1,75	1,75	1,00	1,00	1735 ÷ 1745	1000 VI	-15 / 40	No
1,1	4,76	4,77	2,75	2,75	2,72	2,72	1,57	1,57	1740 ÷ 1750			
1,5	6,53	6,59	3,77	3,80	3,78	3,81	2,18	2,20	1750 ÷ 1755			
2,2	8,38	8,28	4,84	4,78	4,82	4,76	2,78	2,75	1755 ÷ 1760			
3	12,0	12,0	6,91	6,95	6,75	6,72	3,89	3,88	1755 ÷ 1760			
4	14,7	14,5	8,50	8,39	8,46	8,35	4,89	4,82	1750 ÷ 1760			
5,5	20,6	20,4	11,9	11,8	12,0	11,9	6,95	6,88	1765 ÷ 1770			
7,5	27,1	26,7	15,7	15,4	15,7	15,5	9,08	8,94	1760 ÷ 1765			
11	38,1	37,4	22,0	21,6	22,0	21,5	12,7	12,4	1770 ÷ 1770			
15	53,2	53,4	30,7	30,8	30,4	30,2	17,5	17,4	1770 ÷ 1775			

P _N kW	Efficiency η _N												IE
	Δ 220 V Y 380 V			Δ 230 V Y 400 V			Δ 380 V Y 660 V			Δ 400 V Y 690 V			
	4/4	3/4	2/4	4/4	3/4	2/4	4/4	3/4	2/4	4/4	3/4	2/4	
0,75	85,7	85,4	82,9	85,7	85,4	82,9	85,7	85,4	82,9	85,7	85,4	82,9	3
1,1	87,0	86,2	83,2	87,0	86,2	83,2	87,0	86,2	83,2	87,0	86,2	83,2	
1,5	88,0	87,0	84,0	88,0	87,0	84,0	88,0	87,0	84,0	88,0	87,0	84,0	
2,2	89,5	89,4	87,5	89,5	89,4	87,5	89,5	89,4	87,5	89,5	89,4	87,5	
3	90,0	89,5	87,3	90,0	89,5	87,3	90,0	89,5	87,3	90,0	89,5	87,3	
4	90,0	89,9	88,1	90,0	89,9	88,1	90,0	89,9	88,1	90,0	89,9	88,1	
5,5	91,7	91,2	89,4	91,7	91,2	89,4	91,7	91,2	89,4	91,7	91,2	89,4	
7,5	91,7	91,8	90,4	91,7	91,8	90,4	91,7	91,8	90,4	91,7	91,8	90,4	
11	92,7	92,7	91,4	92,7	92,7	91,4	92,7	92,7	91,4	92,7	92,7	91,4	
15	93,3	92,9	91,4	93,3	92,9	91,4	93,3	92,9	91,4	93,3	92,9	91,4	

** Operating conditions to be referred to motor only. About electric pump, refer to limits in user's manual.

Nscf-IE3-mott15-4p60-en_c_te

NSCF, NSCC SERIES

THREE-PHASE MOTORS AT 60 Hz, 4 POLES (from 18,5 to 400 kW)

P _N kW	Manufacturer	IEC SIZE	Construction Design	N. of Poles	f _N Hz	Data for 60 Hz				
	OMEGA MOTOR SANAYI A.S.Dudullu Organize Sanayi Bölgesi2. Cadde No: 10 34775 Ümraniye İSTANBUL TURKEY Reg. No. 913733					cosφ	I _s / I _N	TN Nm	T _s /T _N	T _m /T _N
	Model									
18,5	3MAS 180M4 B3 18.5kW E3	180	B3	4	60	0,82	6,40	99,8	2,20	2,50
22	3MAS 180L4 B3 22kW E3	180				0,83	6,50	118,4	2,30	2,40
30	3MAS 200L4 B3 30kW E3	200				0,87	7,20	161,4	2,60	2,80
37	3MAS 225S4 B3 37kW E3	225				0,86	7,90	199,1	2,70	3,00
45	3MAS 225M4 B3 45kW E3	225				0,88	7,40	242,1	2,50	2,70
55	3MGS 250M4 B3 55kW E3	250				0,87	8,90	294,2	2,80	3,10
75	3MGS 280S4 B3 75kW E3	280				0,86	7,50	401,2	2,40	2,90
90	3MGS 280M4 B3 90kW E3	280				0,87	7,90	482,8	2,50	3,10
110	3MGS 315S4 B3 110kW E3	315				0,88	7,80	586,8	2,10	3,10
132	3MGS 315MA4 B3 132kW E3	315				0,88	8,30	704,2	2,30	3,10
160	3MGS 315MB4 B3 160kW E3	315				0,88	8,30	853,6	2,50	3,20
200	3MGS 315MD4 B3 200kW E3	315				0,87	8,40	1070	2,50	3,20
250	3MGS 315MK4 B3 250kW E3	315				0,88	8,20	1334	2,40	3,10
315	3MGS 355MB4 B3 315kW E3	355				0,88	7,80	1680	2,20	3,00
355	3MGS 355MC4 B3 355kW E3	355				0,89	8,00	1894	2,20	2,90
400	3MGS 355LA4 B3 400kW E3	355				0,88	8,90	2134	2,30	3,40

P _N kW	Voltage U _N V				n _N min ⁻¹	Operating conditions **		
	Δ		Y			Altitude above sea Level (m)	T. amb min/max °C	ATEX
	220 V	380 V	380 V	660 V				
	I _N (A)							
18,5	64,0	37,1	36,6	21,1	1770	VI 1000	-20 / 50	No
22	73,4	42,5	43,0	24,8	1775			
30	95,1	55,0	55,7	32,1	1775			
37	120,9	70,0	69,2	39,8	1775			
45	141,3	81,8	81,8	47,1	1775			
55	171,9	99,5	100,7	58,0	1785			
75	-	-	138,9	80,0	1785			
90	-	-	164,8	94,9	1780			
110	-	-	198,2	114,1	1790			
132	-	-	236,9	136,4	1790			
160	-	-	287,2	165,3	1790			
200	-	-	363,1	209,0	1785			
250	-	-	448,7	258,3	1790			
315	-	-	565,4	325,5	1790			
355	-	-	633,5	364,8	1790			
400	-	-	717,9	413,3	1790			

P _N kW	Efficiency η _N %						IE
	Δ 220 V Y 380 V			Δ 380 V Y 660 V			
	4/4	3/4	2/4	4/4	3/4	2/4	
18,5	93,6	93,9	93,5	93,6	93,9	93,5	3
22	93,6	93,7	93,4	93,6	93,7	93,4	
30	94,1	94,2	93,8	94,1	94,2	93,8	
37	94,5	94,7	94,1	94,5	94,7	94,1	
45	95,0	95,1	94,7	95,0	95,1	94,7	
55	95,4	95,5	95,0	95,4	95,5	95,0	
75	-	-	-	95,4	95,4	95,1	
90	-	-	-	95,4	95,4	95,3	
110	-	-	-	95,8	95,9	95,4	
132	-	-	-	96,2	96,4	96,0	
160	-	-	-	96,2	96,3	95,9	
200	-	-	-	96,2	96,3	96,0	
250	-	-	-	96,2	96,3	96,0	
315	-	-	-	96,2	96,3	95,9	
355	-	-	-	96,2	96,5	96,5	
400	-	-	-	96,2	96,3	96,0	

** Operating conditions to be referred to motor only. About electric pump, refer to limits in user's manual.

Nscf-IE3-mott400-4p60-en_b_te

e-NSC SERIES MOTOR NOISE

The tables below show the mean sound pressure levels (Lp) measured at 1 meter's distance in a free field according to the A curve (ISO 1680 standard). The noise values are measured with idling 60 Hz motor with a tolerance of 3 dB (A).

MOTORS 2 POLES 60 Hz

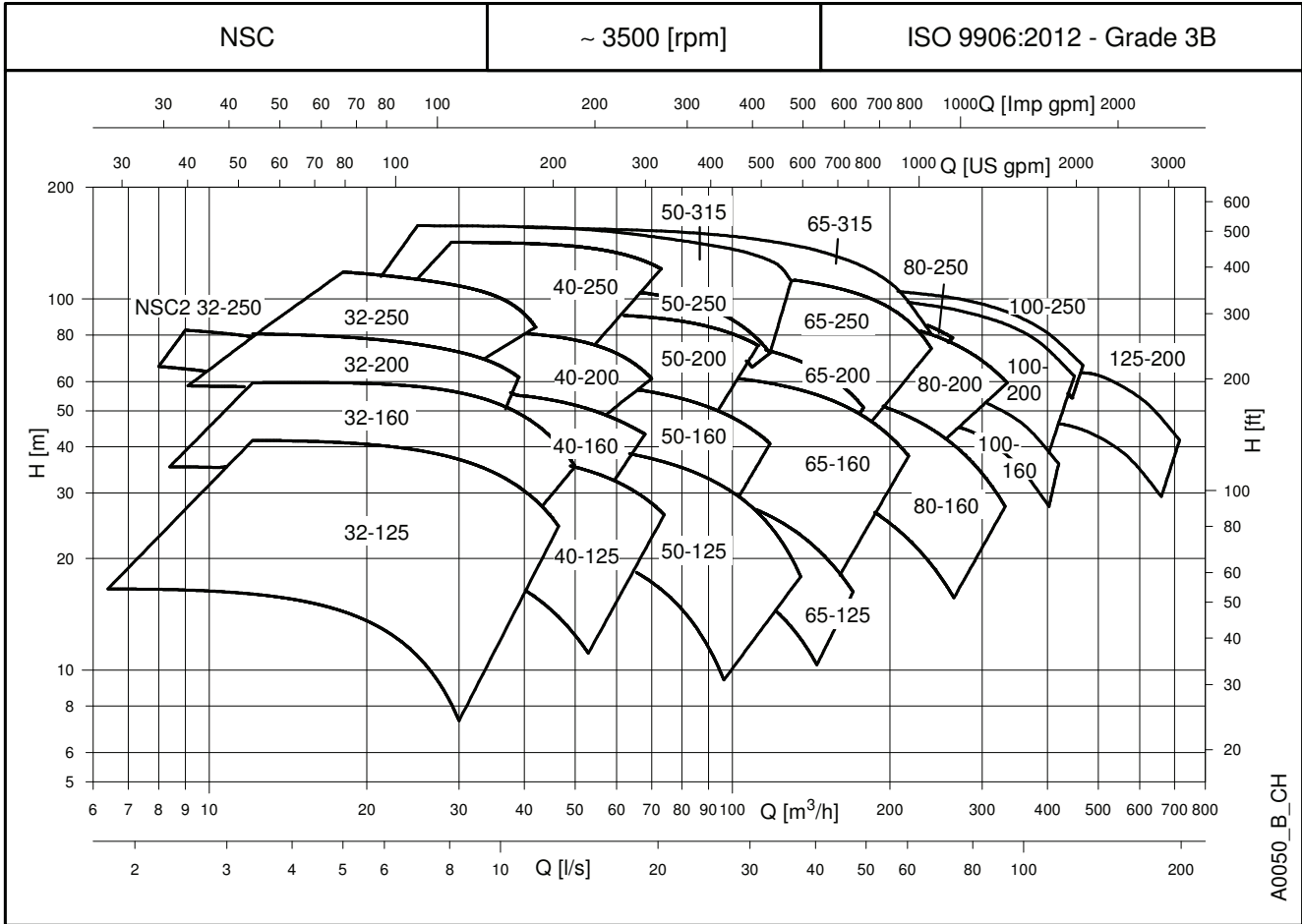
POWER kW	MOTOR TYPE IEC SIZE	NOISE LpA dB
1,5	90R	<70
	90	<70
2,2	90	<70
3	90	<70
	100R	<70
	100	<70
4	112R	<70
	112	<70
5,5	112	<70
	132R	<70
	132	71
7,5	132	71
9,2	132	73
11	132	73
	160	71
15	160	71
18,5	160	73
22	160	70
	180R	70
	180	72
30	200	71
37	200	71
45	225	73
55	250	75
75	280	75
90	280	77
110	315	78

MOTORS 4 POLES 60 Hz

POWER kW	MOTOR TYPE IEC SIZE	NOISE LpA dB
0,25	71	<70
0,37	71	<70
0,55	80	<70
	90R	<70
0,75	80	<70
	90R	<70
1,1	90	<70
1,5	90	<70
2,2	100	<70
3	100	<70
4	112	<70
5,5	132	<70
7,5	132	<70
11	160	<70
15	160	<70
18,5	180	64
22	180	64
30	200	63
37	225	67
45	225	65
55	250	66
75	280	67
90	280	68
110	315	72
132	315	72
160	315	73
200	315	73
250	315	74
315	355	74
355	355	75
400	355	76

*R=Reduced size of motor as compared to shaft extension and flange.

Nsc_mott-60hz-en_c_tr

e-NSC SERIES
HYDRAULIC PERFORMANCE RANGE AT 60 Hz, 2 POLES


e-NSC 32, 40, 50 SERIES HYDRAULIC PERFORMANCE TABLE AT 60 Hz, 2 POLES

PUMP TYPE	P _N kW	Impeller			Q = DELIVERY												
		∅ mm	○ ● (1) (2)	η _p % (2)	l/s	2,0	3,1	4,2	5,3	6,4	7,5	8,6	9,7	10,8	11,9	13,1	13,9
					m ³ /h	7	11	15	19	23	27	31	35	39	43	47	50
H = TOTAL HEAD METRES COLUMN OF WATER																	
32-125/15 *	1,5	104	○	57,6	16,0	16,5	16,2	15,4	14,0	12,1	9,6						
32-125/22 *	2,2	118	○	63,6	23,3		23,3	22,6	21,3	19,5	17,1	14,1					
32-125/30	3	128	○	64,5	28,8		29,2	28,6	27,6	26,0	23,9	21,2	17,9				
32-125/40	4	133	○	68,8	32,3		33,5	33,5	33,0	32,0	30,3	28,1	25,3	22,0			
32-125/55	5,5	145	●	69,1	40,3			41,4	40,8	39,8	38,4	36,5	34,1	31,2	27,8		
32-160/40	4	137	○	62,7	35,4		35,2	34,7	33,8	32,3	30,2	27,4	23,8				
32-160/55	5,5	150	○	66,0	43,1		43,7	43,5	42,8	41,7	39,9	37,5	34,2	30,0			
32-160/75	7,5	160,5	○	66,4	50,3		51,4	51,4	50,9	49,9	48,3	46,2	43,3	39,5	35,0		
32-160/92	9,2	171	○	68,2	58,1			59,5	59,1	58,3	56,9	54,9	52,2	48,8	44,5	39,4	34,9
32-160/110A	11	171	●	68,2	58,1			59,5	59,1	58,3	56,9	54,9	52,2	48,8	44,5	39,4	34,9
32-200/75	7,5	171	○	59,8	58,6		58,2	57,5	56,4	54,5	51,4	46,7					
32-200/92	9,2	186	○	62,1	71,5		71,2	70,5	69,4	67,6	65,2	61,9	57,2				
32-200/110A	11	186	○	62,1	71,5		71,2	70,5	69,4	67,6	65,2	61,9	57,2				
32-200/110	11	198	●	62,3	81,0			80,0	78,7	76,7	74,2	71,2	67,2	61,5			
NSC2 32-250/55	5,5	152	○	48,2	71,4		62,5	56,3	48,4	39,6							
NSC2 32-250/75	7,5	164,5	●	49,0	87,5		80,5	74,8	67,1	57,9	48,0						
32-250/110	11	208	○	46,0	78,3			75,5	72,8	68,7	63,1	55,3					
32-250/150	15	226,5	○	47,1	96,8			95,1	93,3	90,7	86,9	81,5	73,9				
32-250/185	18,5	239	○	49,0	109,8				106,5	103,7	100,2	96,0	90,0	80,6			
32-250/220	22	252	●	49,5	122,5				117,7	114,7	111,4	107,5	102,3	94,0			

PUMP TYPE	P _N kW	Impeller			Q = DELIVERY												
		∅ mm	○ ● (1) (2)	η _p % (2)	l/s	3,2	4,7	6,4	8,1	9,7	11,4	13,1	14,7	16,4	18,1	19,7	20,6
					m ³ /h	12	17	23	29	35	41	47	53	59	65	71	74
H = TOTAL HEAD METRES COLUMN OF WATER																	
40-125/30	3	105	○	70,0	21,2	21,9	21,7	21,1	20,0	18,4	16,4	14,0	11,5				
40-125/40	4	118	○	73,8	28,0		28,0	27,6	26,8	25,6	24,0	21,9	19,6				
40-125/55	5,5	130	○	75,9	34,5		34,4	34,0	33,3	32,3	30,8	28,8	26,5	23,8	20,8		
40-125/75	7,5	135	●	77,5	39,1			38,9	38,5	37,8	36,8	35,4	33,6	31,4	28,9	26,1	24,7
40-160/55	5,5	127	○	70,5	31,5		33,3	33,1	32,4	31,1	29,2	26,7					
40-160/75	7,5	139	○	72,1	39,3		41,0	41,0	40,5	39,4	37,8	35,7	33,1				
40-160/92,5	9,2	154	○	75,2	48,5		50,7	50,9	50,7	50,0	48,7	47,0	44,7	42,0			
40-160/110A	1,1	154	○	75,2	48,5		50,7	50,9	50,7	50,0	48,7	47,0	44,7	42,0			
40-160/110	11	163	●	77,2	54,3			56,4	56,3	55,7	54,6	52,9	50,6	47,8	44,8		
40-200/92	9,2	165	○	63,1	53,0		53,7	53,5	52,8	51,4	49,1	45,6					
40-200/110A	11	165	○	63,1	53,0		53,7	53,5	52,8	51,4	49,1	45,6					
40-200/110	11	177	○	64,7	59,7		60,2	59,7	58,7	57,2	54,9	51,5	46,6				
40-200/150	15	189	○	65,7	72,4			74,0	73,8	72,9	71,3	68,7	65,1	60,3			
40-200/185	18,5	199	●	67,0	82,6			83,2	83,0	82,4	81,0	78,9	75,9	71,7	66,4		
40-250/185	18,5	210	○	61,5	88,9			88,9	88,2	86,8	84,6	81,3	76,5				
40-250/220	22	225	○	63,0	100,8				100,1	99,0	97,1	94,2	90,0	84,3			
40-250/300	30	243	○	64,5	124,4				123,8	123,1	121,9	120,0	117,1	113,0	107,4		
40-250/370	37	257,5	●	68,2	143,4				142,2	141,6	140,7	139,3	137,2	134,3	130,1	124,3	

PUMP TYPE	P _N kW	Impeller			Q = DELIVERY												
		∅ mm	○ ● (1) (2)	η _p % (2)	l/s	5,8	8,9	11,9	15,0	18,1	21,1	24,2	27,2	30,3	33,3	36,4	38,9
					m ³ /h	21	32	43	54	65	76	87	98	109	120	131	140
H = TOTAL HEAD METRES COLUMN OF WATER																	
50-125/55	5,5	118	○	69,5	25,2		24,2	22,9	21,2	19,1	16,4	13,4					
50-125/75	7,5	130	○	71,4	31,2		30,1	28,9	27,3	25,3	22,8	19,8	16,3	12,2			
50-125/92	9,2	140	○	73,9	37,0		35,6	34,6	33,2	31,5	29,3	26,7	23,5	19,9	15,8		
50-125/110A	11	140	○	73,9	37,0		35,6	34,6	33,2	31,5	29,3	26,7	23,5	19,9	15,8		
50-125/110	11	144	●	75,2	39,8		38,1	37,0	35,5	33,7	31,4	28,7	25,5	21,9	17,6		
50-160/92	9,2	144	○	71,0	40,0		38,6	37,2	35,4	33,1	30,1	26,4					
50-160/110A	11	144	○	71,0	40,0		38,6	37,2	35,4	33,1	30,1	26,4					
50-160/110	11	152	○	73,4	44,5		43,2	41,9	40,2	38,1	35,4	32,2					
50-160/150	15	170	○	73,9	56,3		55,5	54,7	53,4	51,5	49,0	45,9	42,1				
50-160/185	18,5	176	●	74,0	38,5		37,9	37,3	36,4	35,2	33,6	31,6	29,3	26,5	23,5		
50-200/185	18,5	179	○	72,8	61,0		63,0	63,2	62,6	61,1	58,5	54,8					
50-200/220	22	195	○	73,6	71,0		72,6	72,7	72,1	70,6	68,1	64,4	59,6				
50-200/300	30	209	●	74,6	89,0		89,4	89,6	89,4	88,5	86,7	83,9	80,0				
50-250/220	22	202	○	67,6	74,8	75,9	75,9	75,0	73,0	69,5	64,3	57,1					
50-250/300	30	220	○	69,9	97,1		96,5	95,9	94,7	92,5	89,2	84,2	77,0				
50-250/370	37	232	●	70,5	108,7		109,3	108,7	107,4	105,1	101,7	96,7	89,9				
50-315/550	55	264	○	61,6	134,3		133,9	131,2	127,2	122,8	118,9	115,7	112,1	105,3	90,2		
50-315/750	75	276	●	62,0	157,6		157,6	156,2	153,4	149,6	145,3	141,1	137,1	132,4	125,6	113,6	96,8

Hydraulic performances in compliance with ISO 9906:2012 - Grade 3B (ex ISO 9906:1999 - Annex A)

Nsc-32-40-50_2p60-en_b_th

(1) ● = Full impeller diameter - ○ = Trimmed impeller diameter (2) Hydraulic efficiency of pump.

*Available also in single-phase version.

e-NSC 65, 80 SERIES

HYDRAULIC PERFORMANCE TABLE AT 60 Hz, 2 POLES

PUMP TYPE	P _N kW	Impeller			Q = DELIVERY													
		∅ mm	○ ● (1)	η _p % (2)	l/s	8,1	13,3	18,6	23,9	29,2	34,4	39,7	45,0	50,3	55,6	60,8	66,7	
					m ³ /h	0	29	48	67	86	105	124	143	162	181	200	219	240
H = TOTAL HEAD METRES COLUMN OF WATER																		
65-125/75	7,5	113	○	79,7	21,4	22,3	21,8	20,8	19,3	17,5	15,2	12,5						
65-125/92	9,2	124	○	80,3	26,8		27,3	26,4	25,0	22,8	19,9	16,5						
65-125/110A	11	124	○	80,3	26,8		27,3	26,4	25,0	22,8	19,9	16,5						
65-125/110	11	132	●	80,3	31,6		32,2	31,4	30,0	27,8	25,1	21,8	18,2					
65-160/150	15	151	○	80,9	42,5		42,3	41,5	39,9	37,3	33,8	29,6	24,7					
65-160/185	18,5	162	○	81,1	47,8		47,4	46,6	45,1	42,7	39,4	35,3	30,6	25,5				
65-160/220	22	168	○	82,2	54,1		53,8	53,1	51,8	49,7	46,8	43,1	38,7	33,6				
65-160/300	30	180	●	82,6	63,9		63,4	62,6	61,4	59,7	57,5	54,6	51,0	46,7	41,7			
65-200/220	22	173	○	77,0	59,2		58,7	57,4	54,9	50,9	45,5	38,5						
65-200/300	30	189	○	79,1	71,9		71,8	70,8	68,8	65,6	61,0	55,1	47,8					
65-200/370	37	199	●	79,5	80,3		80,1	79,4	77,7	74,9	70,7	65,3	58,4	50,3				
65-250/450	45	210	○	76,1	87,9		91,6	90,0	87,6	84,4	80,5	75,8	69,9	62,3				
65-250/550	55	223	○	77,3	101,4		104,1	103,7	102,3	99,9	96,3	91,5	85,4	77,9	68,9			
65-250/750	75	243	●	80,3	114,3		119,2	119,1	118,1	116,3	113,6	110,1	105,6	99,9	92,9	84,2	72,2	
65-315/750	75	255	○	68,1	129,8		129,4	127,3	124,2	120,2	115,2	108,8	100,9	90,9	78,3	62,3		
65-315/900	90	266	○	67,8	142,1		141,3	139,1	136,1	132,3	127,4	121,3	113,9	104,6	93,1	78,9		
65-315/1100	110	278	●	68,2	155,0		155,4	153,4	150,4	146,6	141,8	136,1	129,2	120,8	110,5	97,9	80,5	

PUMP TYPE	P _N kW	Impeller			Q = DELIVERY													
		∅ mm	○ ● (1)	η _p % (2)	l/s	14,8	21,9	29,2	36,4	43,6	50,8	58,1	65,3	72,5	79,7	86,9	93	
					m ³ /h	0	53	79	105	131	157	183	209	235	261	287	313	335
H = TOTAL HEAD METRES COLUMN OF WATER																		
80-160/185	18,5	144	○	74,6	39,3	39,0	37,7	35,8	33,2	30,2	26,9	23,4	19,7	16,3				
80-160/220	22	152	○	78,1	44,9		43,2	41,4	39,0	36,1	32,7	28,9	24,8	20,6				
80-160/300	30	168	○	80,1	54,7		53,7	52,4	50,6	48,1	45,0	41,4	37,3	32,9	28,4			
80-160/370	37	177	●	81,5	61,6		60,6	59,4	57,7	55,5	52,7	49,4	45,7	41,5	37,1	32,3		
80-200/450	45	188	○	82,2	69,5		70,0	69,0	67,2	64,8	61,7	57,9	53,4	48,3				
80-200/550	55	201	○	82,6	81,7		81,3	80,4	79,0	76,7	73,7	69,8	65,2	59,9	54,3			
80-200/750	75	219	●	83,5	97,9		97,9	97,4	96,5	94,9	92,7	89,8	86,0	81,5	76,2	70,2	64,5	
80-250/550	55	214	○	82,1	89,7		95,2	93,9	91,2	87,3	83,1	78,7						
80-250/750	75	227	●	83,2	100,9		107,3	106,5	104,5	101,5	97,6	93,0	88,0					

Hydraulic performances in compliance with ISO 9906:2012 - Grade 3B (ex ISO 9906:1999 - Annex A)

Nsc-65-80_2p60-en_b_th

(1) ● = Full impeller diameter - ○ = Trimmed impeller diameter (2) Hydraulic efficiency of pump.

e-NSC 100, 125 SERIES

HYDRAULIC PERFORMANCE TABLE AT 60 Hz, 2 POLES

PUMP TYPE	P _N kW	Impeller			Q = DELIVERY													
		∅ mm	○ ● (1)	η _p % (2)	l/s	0	20	30	40	50	60	70	80	90	100	110	120	130
					m ³ /h	0	72	108	144	180	216	252	288	324	360	396	432	468
H = TOTAL HEAD METRES COLUMN OF WATER																		
100-160/300	30	148	○	77,6	38,0	37,8	37,5	36,8	35,5	33,4	30,6	27,0	22,8	18,0				
100-160/370	37	164	○	80,1	47,0		46,3	45,6	44,4	42,5	39,7	36,2	31,9	26,9				
100-160/450	45	176	○	82,1	55,0		53,7	53,0	51,8	49,9	47,2	43,7	39,4	34,4	28,7			
100-160/550	55	190	●	84,5	65,0		63,3	62,4	61,1	59,4	57,1	54,2	50,5	45,9	40,3			
100-200/550	55	192	○	80,1	69,8		69,3	68,2	66,3	63,5	59,5	54,3	48,2	41,0				
100-200/750	75	208	○	82,6	83,3		82,9	82,2	80,9	78,6	75,3	70,9	65,4	58,7	51,0			
100-200/900	90	222	○	84,0	95,4		95,0	94,4	93,1	91,2	88,3	84,5	79,6	73,6	66,5	58,2		
100-200/1100	110	229	●	85,0	101,9		101,6	100,9	99,6	97,7	95,0	91,4	86,8	81,2	74,5	66,5		
100-250/900	90	222	○	82,0	93,4		93,6	93,2	92,0	90,0	87,0	83,0	78,0	71,9	64,9	57,2		
100-250/1100	110	237	●	83,4	106,9		107,2	106,9	106,0	104,4	101,9	98,4	93,9	88,4	81,8	74,4		

PUMP TYPE	P _N kW	Impeller			Q = DELIVERY													
		∅ mm	○ ● (1)	η _p % (2)	l/s	0	28,6	44,2	59,7	75,3	90,8	106,4	121,9	137,5	153,1	168,6	184,2	198,6
					m ³ /h	0	103	159	215	271	327	383	439	495	551	607	663	715
H = TOTAL HEAD METRES COLUMN OF WATER																		
125-200/750	75	175	○	78,2	48,0	47,7	47,3	47,2	47,3	47,4	46,9	45,5	43,0	39,1	34,3			
125-200/900	90	190	○	80,2	58,9		58,5	58,4	58,1	57,4	56,1	54,1	51,2	47,4	42,6	36,9		
125-200/1100	110	204	●	82,3	69,9		69,7	69,8	69,6	69,0	67,8	65,7	62,7	58,7	53,6	47,7	41,7	

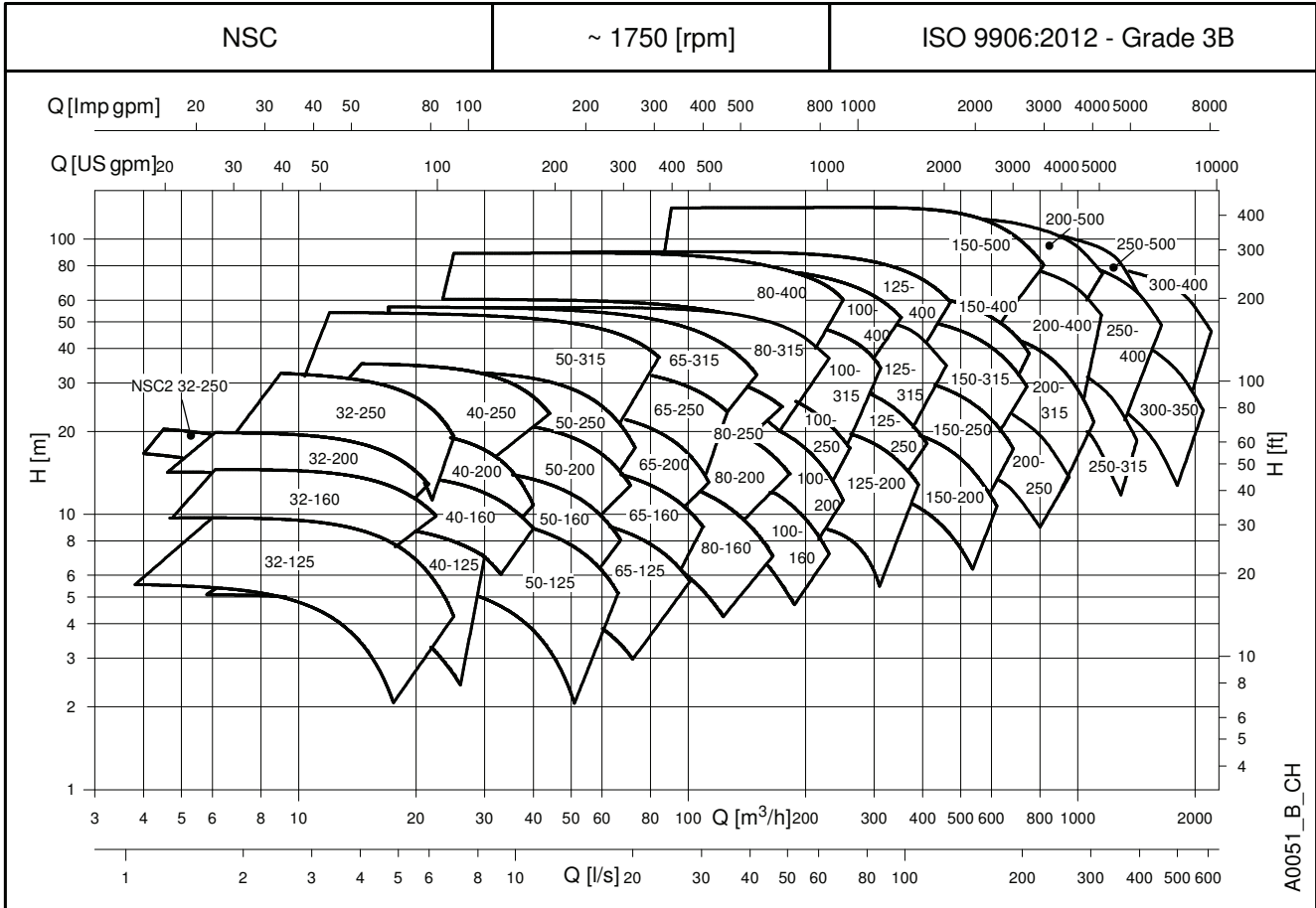
Hydraulic performances in compliance with ISO 9906:2012 - Grade 3B (ex ISO 9906:1999 - Annex A)

Nsc-100-125_2p60-en_a_th

(1) ● = Full impeller diameter - ○ = Trimmed impeller diameter (2) Hydraulic efficiency of pump.

e-NSC SERIES

HYDRAULIC PERFORMANCE RANGE AT 60 Hz, 4 POLES



e-NSC 32, 40, 50 SERIES HYDRAULIC PERFORMANCE TABLE AT 60 Hz, 4 POLES

PUMP TYPE	P _N kW	Impeller			Q = DELIVERY												
		Ø mm	○ ● (1)	η _p % (2)	l/s	1,1	1,7	2,2	2,8	3,3	3,9	4,4	5,0	5,6	6,1	6,7	6,9
					0	4	6	8	10	12	14	16	18	20	22	24	25
					H = TOTAL HEAD METRES COLUMN OF WATER												
32-125/02	0,25	118	○	61,1	5,6	5,5	5,4	5,2	4,8	4,3	3,6	2,8					
32-125/03	0,37	128	○	62,4	7,0		6,9	6,7	6,4	6,0	5,4	4,6	3,7				
32-125/05	0,55	133	○	65,5	7,9		8,0	7,9	7,7	7,4	6,9	6,2	5,4	4,5			
32-125/07	0,75	145	●	66,9	9,9		10,2	10,2	10,0	9,8	9,4	8,9	8,2	7,5	6,6	5,6	5,0
32-160/05	0,55	150	○	60,4	9,9		9,9	9,7	9,4	9,0	8,3	7,4					
32-160/07	0,75	160,5	○	63,7	12,3		12,4	12,4	12,2	11,9	11,4	10,6	9,7				
32-160/11	1,1	171	●	65,9	14,4		14,5	14,5	14,4	14,1	13,7	13,1	12,3				
32-200/11	1,1	186	○	58,9	17,4		17,3	17,2	16,9	16,3	15,6	14,5					
32-200/15	1,5	198	○	60,4	19,8		19,8	19,7	19,4	19,0	18,2	17,2	15,9	14,3			
32-200/22	2,2	205	●	63,6	22,2		22,0	22,0	21,9	21,6	21,1	20,4	19,4	18,0	16,2		
NSC2 32-250/11A	1,1	152	○	45,9	18,2	16,6	15,4	13,7	11,6	9,2							
NSC2 32-250/11	1,1	164,5	●	46,5	22,0		19,5	17,9	15,8	13,4	10,7						
32-250/22	2,2	226,5	○	46,1	23,8			23,4	22,8	22,0	20,8	19,3	17,4	14,8	11,2		
32-250/30A	3	239	○	46,5	27,2			26,7	26,1	25,3	24,2	22,9	21,1	18,7	15,5		
32-250/30	3	252	○	47,5	30,3				29,1	28,4	27,4	26,1	24,3	22,1	19,2	15,5	
32-250/40	4	259	●	49,4	33,8				32,9	32,2	31,3	30,0	28,5	26,4	23,9	20,5	18,5

PUMP TYPE	P _N kW	Impeller			Q = DELIVERY												
		Ø mm	○ ● (1)	η _p % (2)	l/s	1,7	2,5	3,3	4,2	5,0	5,8	6,7	7,5	8,3	9,2	10,0	12,2
					0	6	9	12	15	18	21	24	27	30	33	36	44
					H = TOTAL HEAD METRES COLUMN OF WATER												
40-125/03	0,37	105	○	67,6	5,1	5,1	5,0	4,8	4,5	4,1	3,6	3,0	2,3				
40-125/05	0,55	118	○	70,5	6,7		6,6	6,5	6,2	5,9	5,4	4,8	4,2	3,6			
40-125/07	0,75	130	○	75,3	8,5		8,4	8,3	8,1	7,9	7,5	7,0	6,4	5,7	5,0		
40-125/11	1,1	135	●	75,7	9,6			9,6	9,5	9,3	9,0	8,6	8,2	7,6	7,0	6,4	
40-160/07	0,75	127	○	66,8	7,9		8,1	8,1	7,9	7,5	7,0	6,4	5,6	4,6			
40-160/11	1,1	139	○	70,0	9,7		10,0	10,0	9,9	9,7	9,2	8,7	7,9	7,1	6,1		
40-160/15A	1,5	154	○	70,3	12,2		12,4	12,5	12,4	12,3	12,0	11,5	11,0	10,2	9,4	8,4	
40-160/15	1,5	163	●	71,2	13,5			14,0	13,9	13,8	13,6	13,2	12,6	11,9	11,1	10,2	
40-200/15	1,5	177	○	60,6	14,8		14,8	14,7	14,5	14,1	13,4	12,4	11,0	9,0			
40-200/22	2,2	189	○	63,8	17,9			18,1	18,0	17,8	17,3	16,6	15,6	14,2	12,5	10,2	
40-200/30	3	199	●	65,4	20,6			20,6	20,5	20,3	19,9	19,3	18,5	17,3	15,8	13,9	
40-250/22	2,2	210	○	58,7	21,7			21,6	21,3	20,8	20,1	19,0	17,5				
40-250/30	3	225	○	62,2	25,1			25,1	24,9	24,5	23,9	23,1	21,9	20,3	18,3		
40-250/40	4	243	○	62,6	30,4				30,1	29,9	29,5	28,9	28,0	26,8	25,2	23,3	
40-250/55	5,5	257,5	●	64,7	34,9				34,9	34,7	34,5	34,1	33,4	32,5	31,3	29,7	23,2

PUMP TYPE	P _N kW	Impeller			Q = DELIVERY												
		Ø mm	○ ● (1)	η _p % (2)	l/s	3,1	5,0	6,9	8,9	10,8	12,8	14,7	16,7	18,6	20,6	22,5	23,3
					0	11	18	25	32	39	46	53	60	67	74	81	84
					H = TOTAL HEAD METRES COLUMN OF WATER												
50-125/07	0,75	118	○	62,7	6,4	6,1	5,8	5,3	4,7	3,9	2,8						
50-125/11A	1,1	130	○	64,0	7,9		7,2	6,8	6,2	5,4	4,4	3,2					
50-125/11	1,1	140	○	68,9	9,0		8,5	8,1	7,6	6,9	6,0	4,9					
50-125/15	1,5	144	●	70,1	10,0		9,2	8,8	8,3	7,6	6,7	5,6	4,3				
50-160/11	1,1	144	○	70,3	9,9		9,4	8,8	8,1	7,1	5,9						
50-160/15	1,5	152	○	70,5	10,9		10,6	10,1	9,5	8,6	7,4						
50-160/22	2,2	170	○	74,2	14,1		13,7	13,3	12,7	12,0	10,9	9,6	8,1				
50-160/30	3	176	●	74,6	15,7		15,1	14,8	14,3	13,6	12,7	11,5	10,1	8,5			
50-200/22	2,2	168	○	70,3	12,9		13,3	13,3	12,8	11,9	10,4	8,4					
50-200/30A	3	179	○	72,9	15,1		15,6	15,6	15,2	14,3	13,0	11,2					
50-200/30	3	195	○	73,2	17,6		18,0	17,9	17,5	16,7	15,4	13,6	11,3				
50-200/40	4	209	●	75,9	22,1		22,0	21,9	21,5	20,9	20,0	18,7	17,0	14,8			
50-250/40	4	220	○	69,1	23,9		23,9	23,6	22,8	21,4	19,3	16,5	13,0				
50-250/55	5,5	232	○	69,3	26,8		26,9	26,6	26,0	24,7	22,9	20,3	17,0				
50-250/75	7,5	256	●	71,2	33,2		33,1	33,0	32,5	31,6	30,2	28,1	25,3	21,7			
50-315/75	7,5	260	○	60,1	33,9	33,7	33,2	32,4	31,4	30,2	28,7	26,8	24,1				
50-315/110	11	288	○	61,8	43,1		42,4	41,7	40,8	39,7	38,4	36,7	34,7	32,3	29,1		
50-315/150	15	322	●	63,3	54,3		53,7	53,2	52,6	51,6	50,4	48,9	47,0	44,8	42,3	39,5	38,2

Hydraulic performances in compliance with ISO 9906:2012 - Grade 3B (ex ISO 9906:1999 - Annex A)

Nsc-32-40-50_4p60-en_b_th

(1) ● = Full impeller diameter - ○ = Trimmed impeller diameter (2) Hydraulic efficiency of pump.

e-NSC 65, 80 SERIES HYDRAULIC PERFORMANCE TABLE AT 60 Hz, 4 POLES

PUMP TYPE	P _N kW	Impeller			Q = DELIVERY													
		∅ mm	○ ● (1)	η _p % (2)	l/s	3,9	7,2	10,6	13,9	17,2	20,6	23,9	27,2	30,6	33,9	37,2	41,7	
					m ³ /h	0	14	26	38	50	62	74	86	98	110	122	134	150
H = TOTAL HEAD METRES COLUMN OF WATER																		
65-125/11A	1,1	113	○	74,4	5,4		5,3	4,9	4,4	3,6								
65-125/11	1,1	124	○	77,8	6,7		6,6	6,3	5,7	4,8	3,7							
65-125/15	1,5	132	○	77,9	7,9		7,8	7,6	7,0	6,2	5,2							
65-125/22	2,2	148	●	79,7	10,4		10,3	10,1	9,7	9,0	8,2	7,2	6,0					
65-160/22A	2,2	151	○	78,3	10,5		10,3	10,0	9,3	8,2	6,8	5,2						
65-160/22	2,2	159	○	79,0	11,7		11,6	11,3	10,6	9,6	8,3	6,6						
65-160/30	3	168	○	79,9	13,4		13,2	13,0	12,4	11,5	10,2	8,7	7,0					
65-160/40	4	180	●	82,5	15,9		15,6	15,3	14,8	14,1	13,1	11,8	10,3					
65-200/30	3	173	○	72,4	14,6		14,4	13,8	12,7	10,9	8,6							
65-200/40	4	189	○	77,7	17,7		17,5	17,1	16,2	14,8	12,9	10,3						
65-200/55A	5,5	199	○	78,5	19,9		19,8	19,4	18,6	17,4	15,6	13,2						
65-200/55	5,5	210	○	78,8	22,4		22,2	21,9	21,2	20,1	18,4	16,2	13,5					
65-200/75	7,5	220	●	79,0	24,7		24,5	24,0	23,3	22,3	20,7	18,4	15,4					
65-250/110A	11	243	○	77,4	29,7		31,0	30,9	30,4	29,5	28,2	26,5	24,4	21,9				
65-250/110	11	258	●	77,8	35,0		35,7	35,5	34,9	34,0	32,8	31,3	29,4	27,2				
65-315/110	11	266	○	68,8	34,7		34,5	33,7	32,6	31,1	29,1	26,5	23,3	19,1				
65-315/150	15	298	○	70,7	44,6		44,4	43,7	42,8	41,4	39,7	37,5	34,7	31,3	27,0			
65-315/185	18,5	315	○	71,2	50,4		50,1	49,6	48,7	47,4	45,8	43,7	41,2	38,1	34,3	29,8		
65-315/220	22	334	●	72,1	56,7		56,3	55,9	55,1	54,0	52,4	50,4	47,8	44,8	41,5	37,9	32,9	

PUMP TYPE	P _N kW	Impeller			Q = DELIVERY													
		∅ mm	○ ● (1)	η _p % (2)	l/s	6,1	11,9	17,8	23,6	29,4	35,3	41,1	46,9	52,8	58,6	64,4	69,4	
					m ³ /h	0	22	43	64	85	106	127	148	169	190	211	232	250
H = TOTAL HEAD METRES COLUMN OF WATER																		
80-160/22	2,2	144	○	75,3	9,7		9,1	8,2	7,0	5,6	4,2							
80-160/30	3	152	○	77,0	11,1		10,5	9,6	8,4	6,9	5,3							
80-160/40	4	168	○	79,9	13,5		13,1	12,5	11,5	10,0	8,3	6,4						
80-160/55	5,5	177	●	80,3	15,3		15,0	14,5	13,5	12,1	10,4	8,6						
80-200/55	5,5	188	○	80,2	17,4		17,1	16,6	15,5	14,0	11,9	9,6						
80-200/75	7,5	201	○	80,7	19,9		19,8	19,4	18,5	17,0	15,0	12,5						
80-200/110	11	219	●	82,1	24,2		24,1	23,8	23,1	21,9	20,2	17,9	15,2					
80-250/75	7,5	214	○	79,3	23,1		23,2	22,4	21,1	19,3	16,9							
80-250/110A	11	227	○	81,1	26,6		26,7	26,1	25,0	23,3	21,1							
80-250/110	11	241	○	82,8	30,6		30,2	29,5	28,4	26,9	24,8							
80-250/150	15	259	●	83,1	35,0		34,8	34,5	33,8	32,5	30,5	27,9						
80-315/150	15	262	○	75,6	33,6		33,7	33,3	32,2	30,4	27,9	24,6	20,6					
80-315/185	18,5	274	○	75,5	37,2		37,2	36,9	36,1	34,5	32,2	29,0	25,2					
80-315/220	22	290	○	76,4	41,7		41,9	41,7	41,1	39,8	37,7	34,9	31,4	27,1				
80-315/300	30	315	○	77,2	49,7		49,8	49,7	49,3	48,4	46,8	44,5	41,5	37,6	33,1			
80-315/370	37	334	●	78,2	56,3		56,4	56,3	55,9	55,1	53,7	51,7	49,0	45,6	41,4			
80-400/370	37	347	○	68,5	60,0		60,1	59,6	58,0	55,8	53,1	50,0	46,1	40,1				
80-400/450	45	372	○	69,2	69,8		69,9	69,6	68,2	66,0	63,2	60,2	56,8	52,7	46,4			
80-400/550	55	396	○	70,6	79,9		79,9	79,8	78,8	76,9	74,4	71,5	68,4	65,0	60,4	53,3		
80-400/750	75	418	●	72,3	89,0		89,0	88,9	88,1	86,6	84,4	81,7	78,6	75,1	70,9	65,8	60,1	

Hydraulic performances in compliance with ISO 9906:2012 - Grade 3B (ex ISO 9906:1999 - Annex A)

Nsc-65-80_4p60-en_b_th

(1) ● = Full impeller diameter - ○ = Trimmed impeller diameter (2) Hydraulic efficiency of pump.

e-NSC 200-250-300 SERIES HYDRAULIC PERFORMANCE TABLE AT 60 Hz, 4 POLES

PUMP TYPE	P _N kW	Impeller			Q = DELIVERY													
		∅ mm	○ ● (1) (2)	η _p % (2)	l/s	0	36,1	61,9	87,8	113,6	139,4	165,3	191,1	216,9	242,8	268,6	294,4	321,7
					m ³ /h	0	130	223	316	409	502	595	688	781	874	967	1060	1158
H = TOTAL HEAD METRES COLUMN OF WATER																		
200-250/300	30	221	○	77,2	21,2	20,8	20,5	19,6	18,1	16,2	14,2	12,0	9,5					
200-250/370	37	240	○	80,8	25,7		24,2	23,1	21,7	19,9	17,7	15,2	12,4					
200-250/450	45	260	○	82,8	30,6		28,7	27,6	26,1	24,3	22,1	19,5	16,5	13,1				
200-250/550	55	271	●	84,5	33,5		31,5	30,4	29,0	27,3	25,3	22,8	20,0	16,7				
200-315/550	55	274	○	81,1	33,5		32,5	31,8	30,9	29,3	26,9	23,5	19,2	14,2				
200-315/750	75	300	○	84,1	41,1		39,6	39,1	38,5	37,4	35,4	32,5	28,5	23,6	18,1			
200-315/900	90	321	○	85,6	47,5		45,9	45,4	44,8	43,8	42,1	39,6	36,0	31,3	25,8			
200-315/1100	110	333	●	86,4	51,3		49,8	49,3	48,6	47,6	46,1	43,6	40,2	35,6	30,2	24,3		
200-400/1100	110	328	○	83,0	53,4		53,5	53,1	52,4	50,9	48,5	44,9	39,9	33,6	26,2			
200-400/1320	132	342	○	83,5	58,7		58,8	58,4	57,6	56,2	54,1	50,8	46,2	40,2	32,9			
200-400/1600	160	362	○	84,6	66,2		66,2	65,8	65,1	63,8	61,9	59,0	55,0	49,6	42,9	34,9		
200-400/2000	200	392	○	85,4	78,6		78,7	78,5	78,0	77,0	75,3	72,8	69,4	64,9	59,2	52,1		
200-400/2500	250	409	●	86,0	85,9		86,0	86,0	85,5	84,4	82,7	80,3	77,2	73,2	68,0	61,4		
200-500/2500	250	434	○	80,9	96,7		96,9	96,3	95,2	93,5	90,6	86,2	79,9	71,5	60,9			
200-500/3150	315	450	○	81,5	104,1		104,6	104,2	103,2	101,6	98,9	94,8	89,2	81,6	72,0	60,1		
200-500/3150	315	470	○	82,5	114,5		114,9	114,4	113,5	112,0	109,6	106,1	101,2	94,7	86,1	75,4		
200-500/3550	355	485	●	83,2	122,5		122,7	122,4	121,6	120,0	117,6	114,3	109,8	104,0	96,6	87,3	75,0	

PUMP TYPE	P _N kW	Impeller			Q = DELIVERY													
		∅ mm	○ ● (1) (2)	η _p % (2)	l/s	0	88,9	122,2	155,6	188,9	222,2	255,6	288,9	322,2	355,6	388,9	422,2	455,6
					m ³ /h	0	320	440	560	680	800	920	1040	1160	1280	1400	1520	1640
H = TOTAL HEAD METRES COLUMN OF WATER																		
250-315/750	75	267	○	82,2	31,2	30,2	29,4	28,6	27,7	26,3	24,0	20,7	16,4	12,1				
250-315/900	90	258	○	84,2	35,9		33,8	33,0	32,1	30,8	28,8	25,9	21,9	17,4				
250-315/1100	110	300	●	85,1	40,1		38,1	37,5	36,8	35,9	34,3	32,0	28,6	24,3	19,3			
250-400/1320	132	325	○	81,1	50,6		50,3	49,0	46,8	43,6	39,4	34,3	28,3	21,6				
250-400/1600	160	344	○	82,7	56,9		56,5	55,7	54,0	51,4	47,7	42,8	36,8	29,8				
250-400/2000	200	372	○	84,2	67,0		66,4	66,1	65,2	63,3	60,4	56,3	50,9	44,3	36,7			
250-400/2500	250	398	○	85,7	78,7		76,9	76,5	75,7	74,1	71,5	68,0	63,2	57,3	50,2	41,9		
250-400/3150	315	425	●	86,7	90,5		89,0	89,8	92,1	97,3	107,3	124,7	153,3	197,2	262,2	354,9	483,3	
250-500/3150	315	436	○	82,8	95,3		95,7	94,8	93,1	90,4	86,3	80,5	72,6	62,2				
250-500/3550	355	448	○	84,5	101,2		101,6	101,0	99,7	97,4	93,8	88,6	81,4	71,7				
250-500/4000	400	463	●	85,3	108,6		109,2	108,7	107,5	105,5	102,4	97,8	91,4	82,9	71,8			

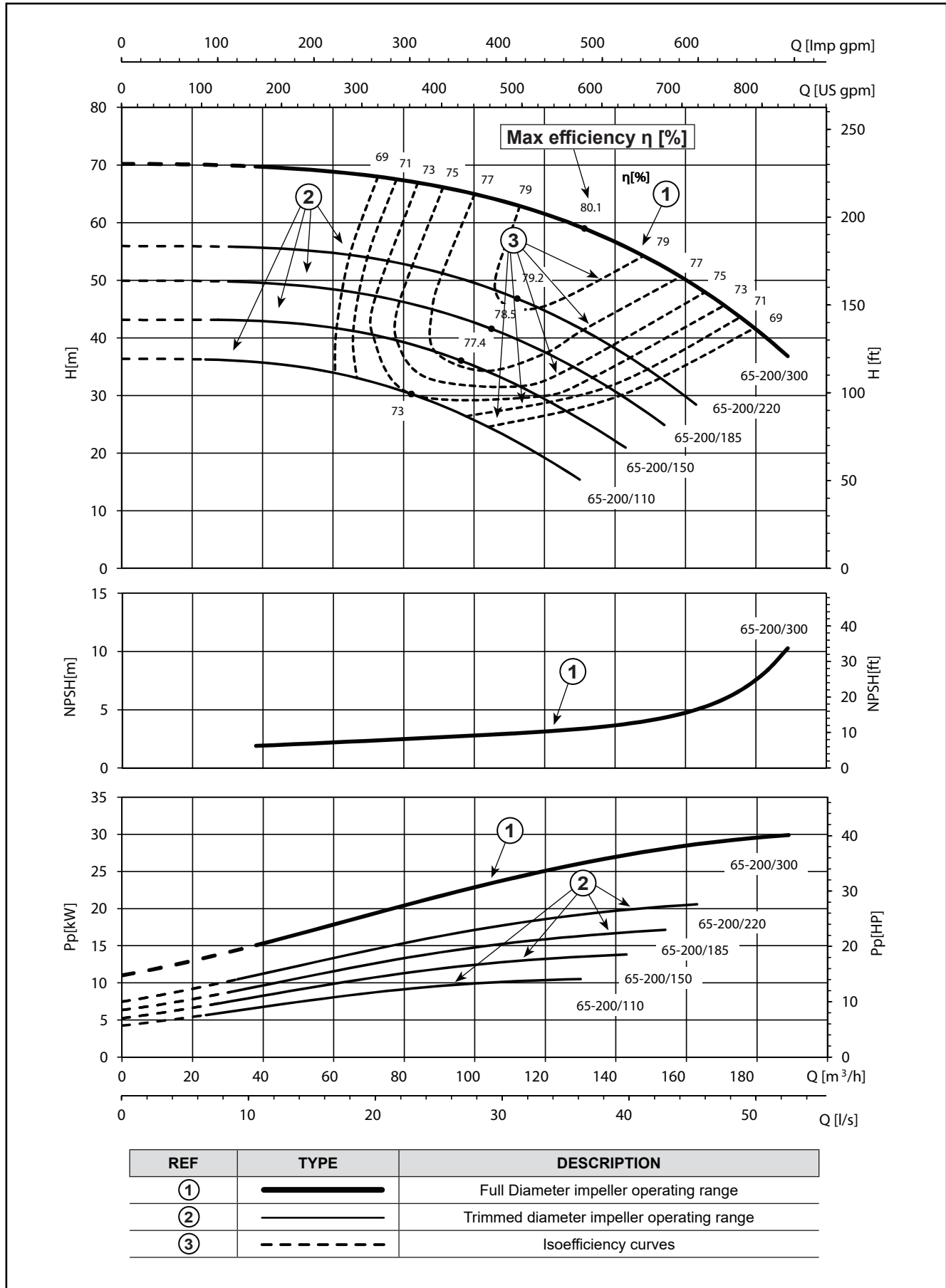
PUMP TYPE	P _N kW	Impeller			Q = DELIVERY													
		∅ mm	○ ● (1) (2)	η _p % (2)	l/s	0	122,8	167,2	211,7	256,1	300,6	345,0	389,4	433,9	478,3	522,8	567,2	611,1
					m ³ /h	0	442	602	762	922	1082	1242	1402	1562	1722	1882	2042	2200
H = TOTAL HEAD METRES COLUMN OF WATER																		
300-350/1100	110	292	○	78,8	37,9		34,2	32,4	30,2	27,8	25,1	22,1	18,6	14,8				
300-350/1320	132	315	○	81,5	44,7		40,5	38,5	36,2	33,7	30,9	27,8	24,2	20,2	15,5			
300-350/1600	160	332	○	83,9	50,5		45,7	43,7	41,5	39,1	36,4	33,3	29,7	25,6	20,7			
300-350/2000	200	358	●	86,4	58,8		54,2	52,8	50,9	48,7	46,1	43,0	39,4	35,4	30,8	25,8		
300-400/2000	200	352	○	82,4	54,8	54,8	54,4	53,5	51,9	49,5	46,4	42,3	37,3	31,4	24,6			
300-400/2500	250	378	○	85,2	64,7		63,5	62,8	61,6	59,7	56,9	53,2	48,5	42,8	36,0			
300-400/3150	315	406	○	86,8	76,0		74,6	73,9	72,9	71,4	69,2	66,2	62,2	57,1	50,7	42,9		
300-400/3550	355	416	○	87,6	81,1		78,9	78,3	77,3	75,9	73,9	71,1	67,5	62,8	56,8	49,3		
300-400/4000	400	425	●	88,4	85,6		82,9	82,1	81,2	79,9	78,0	75,6	72,2	67,8	62,2	55,0	46,2	

Hydraulic performances in compliance with ISO 9906:2012 - Grade 3B (ex ISO 9906:1999 - Annex A)

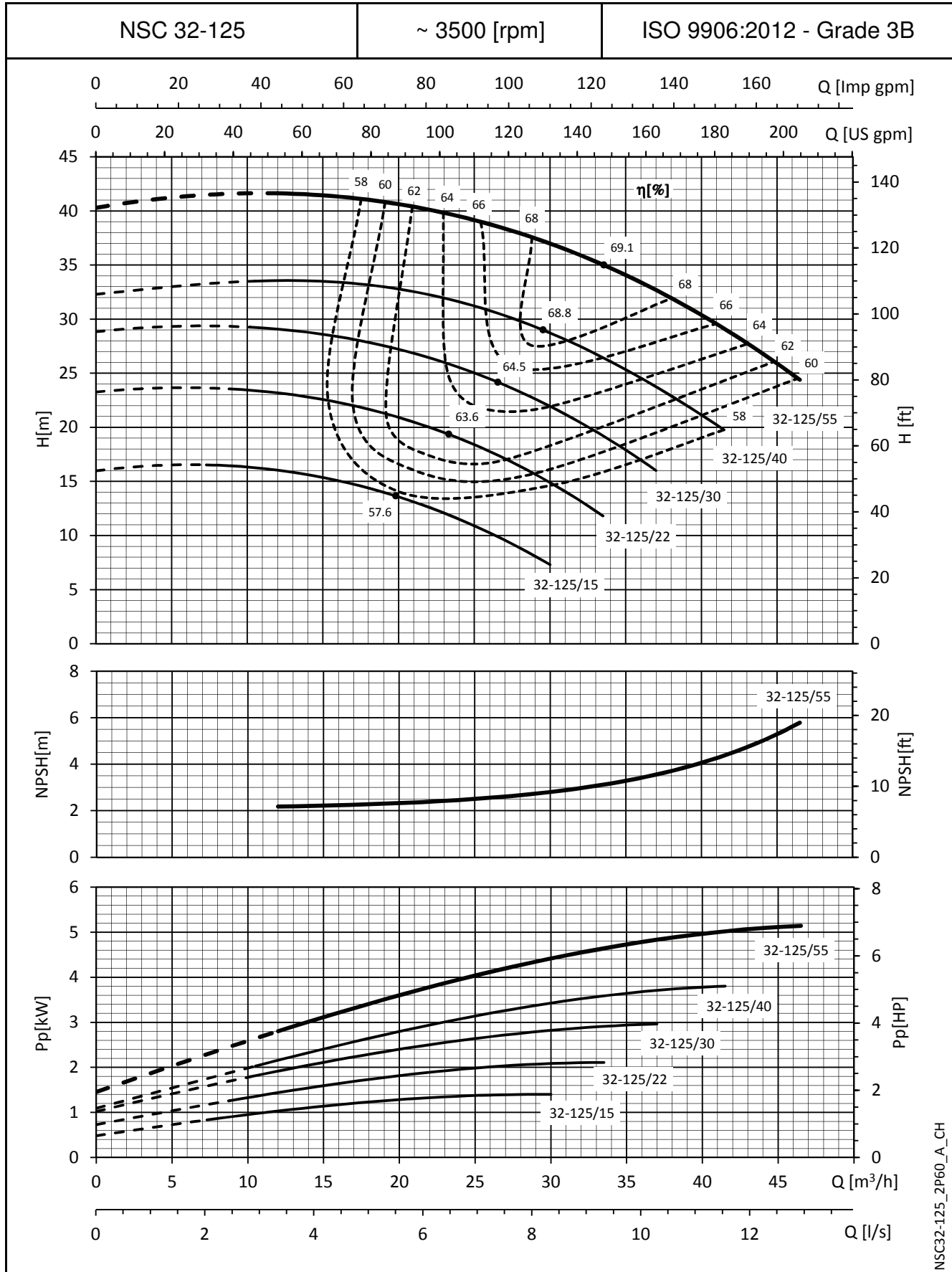
Nsc-200-300_4p60-en_a_th

(1) ● = Full impeller diameter - ○ = Trimmed impeller diameter (2) Hydraulic efficiency of pump.

e-NSC SERIES
IDENTIFICATION OF GRAPH



e-NSC SERIES
OPERATING CHARACTERISTICS AT 60 Hz, 2 POLES

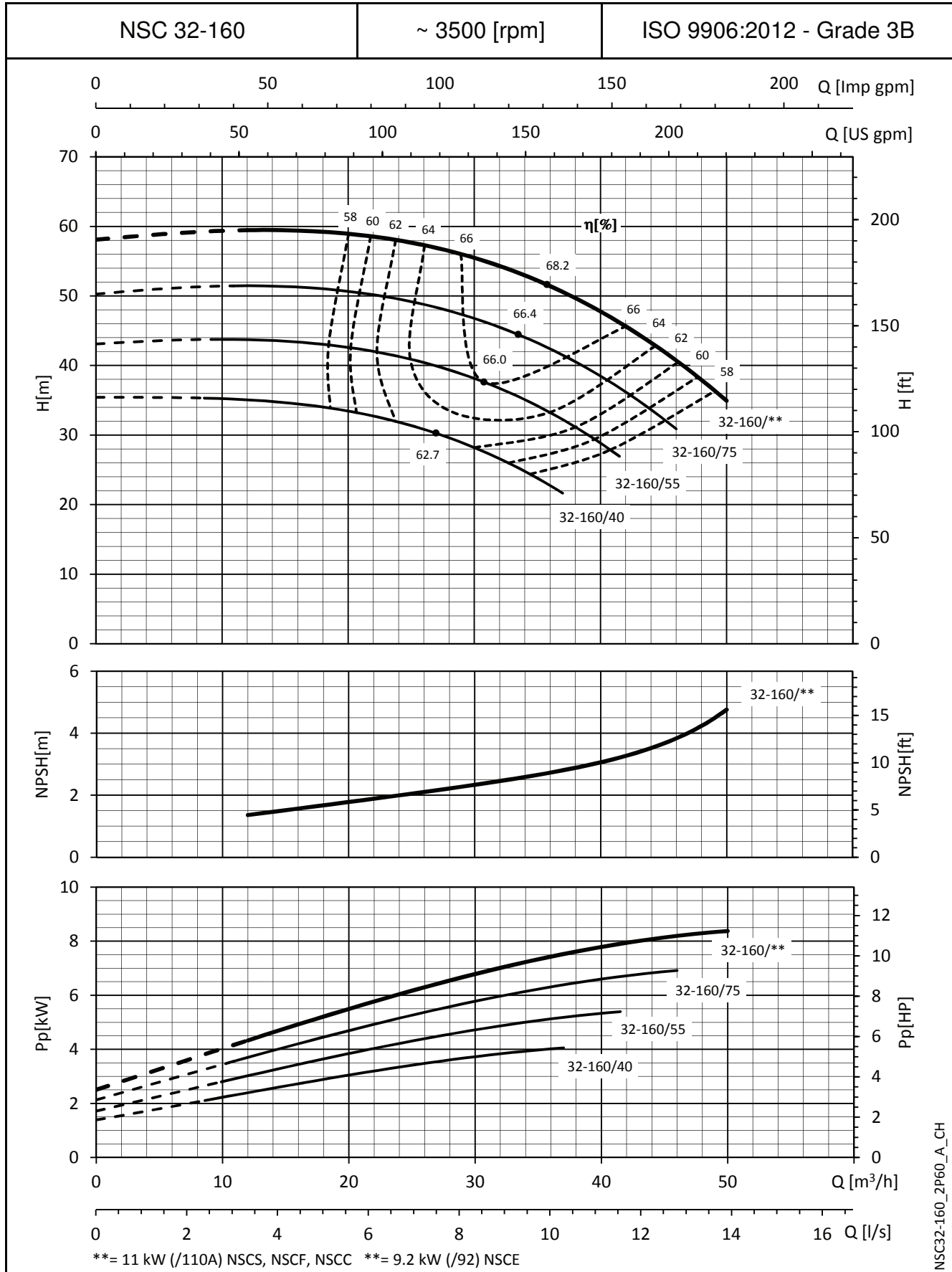


NSC32-125_2P60_A_CH

The NPSH values are laboratory values; for practical use we suggest increasing these values by 0,5 m.
These performances are valid for liquids with density $\rho = 1,0 \text{ Kg/dm}^3$ and kinematic viscosity $\nu = 1 \text{ mm}^2/\text{sec}$.

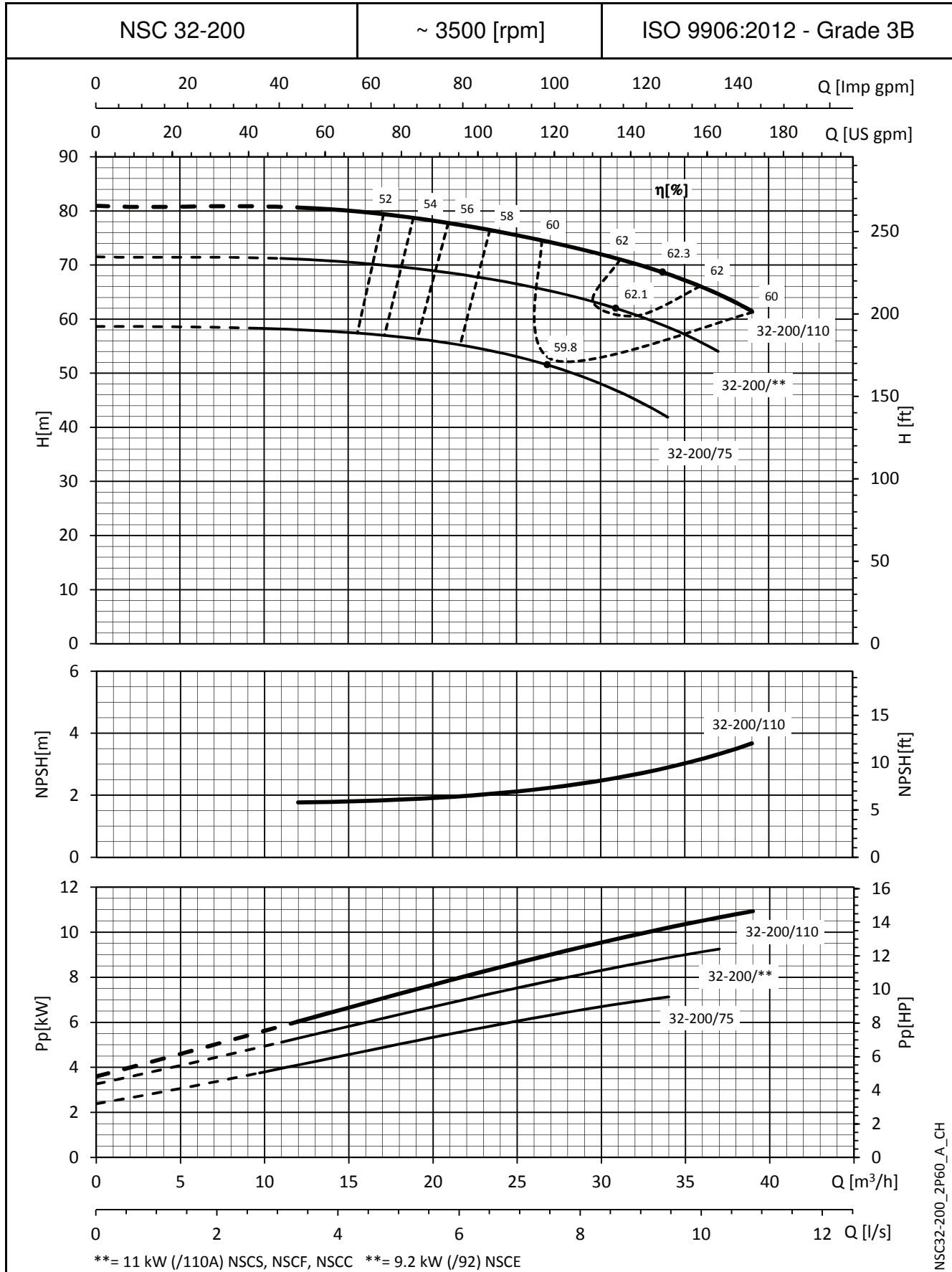
e-NSC SERIES

OPERATING CHARACTERISTICS AT 60 Hz, 2 POLES



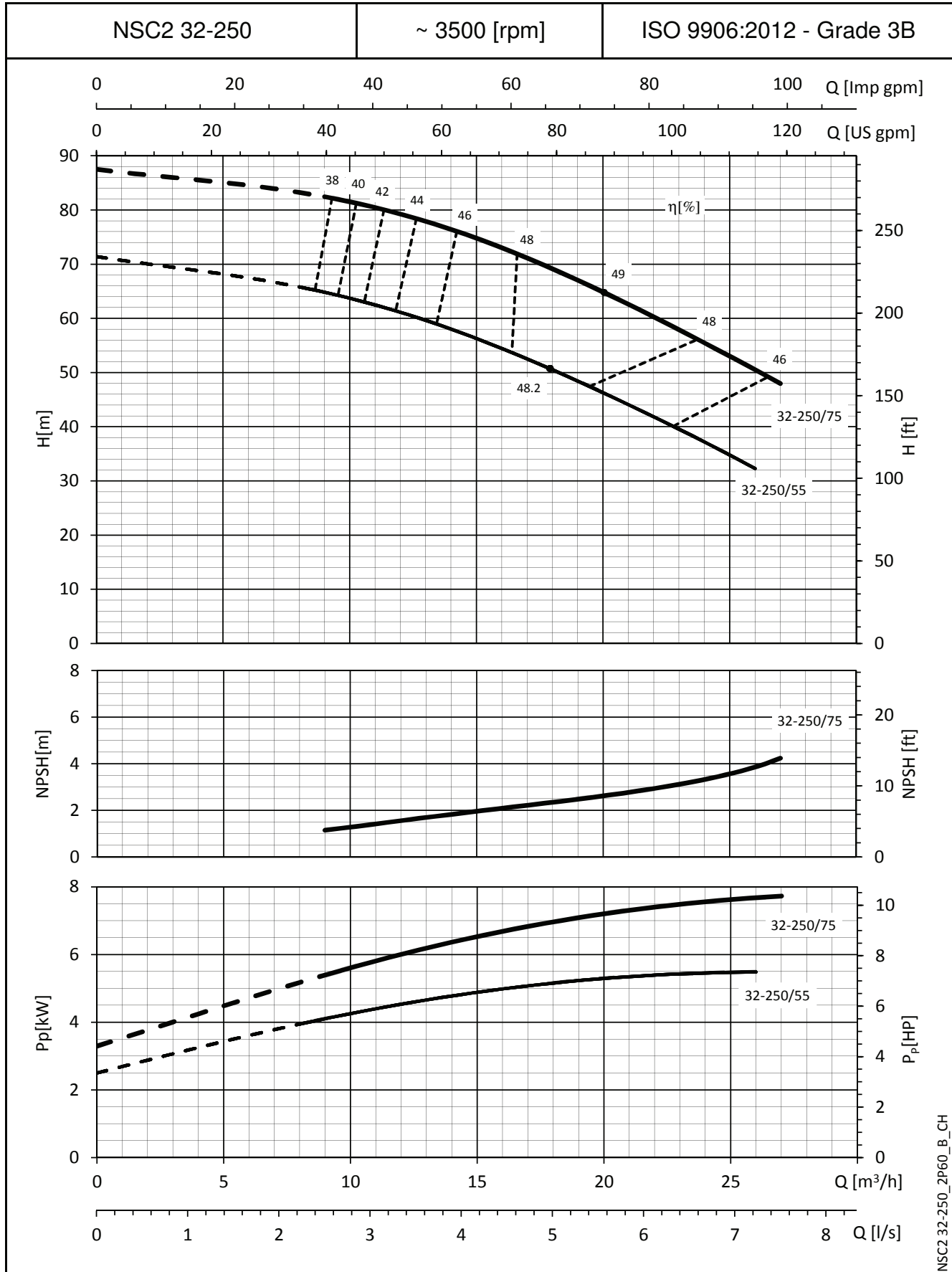
The NPSH values are laboratory values; for practical use we suggest increasing these values by 0,5 m.
 These performances are valid for liquids with density $\rho = 1,0 \text{ Kg/dm}^3$ and kinematic viscosity $\nu = 1 \text{ mm}^2/\text{sec}$.

e-NSC SERIES
OPERATING CHARACTERISTICS AT 60 Hz, 2 POLES



The NPSH values are laboratory values; for practical use we suggest increasing these values by 0,5 m.
 These performances are valid for liquids with density $\rho = 1,0 \text{ Kg/dm}^3$ and kinematic viscosity $\nu = 1 \text{ mm}^2/\text{sec}$.

e-NSC SERIES
OPERATING CHARACTERISTICS AT 60 Hz, 2 POLES

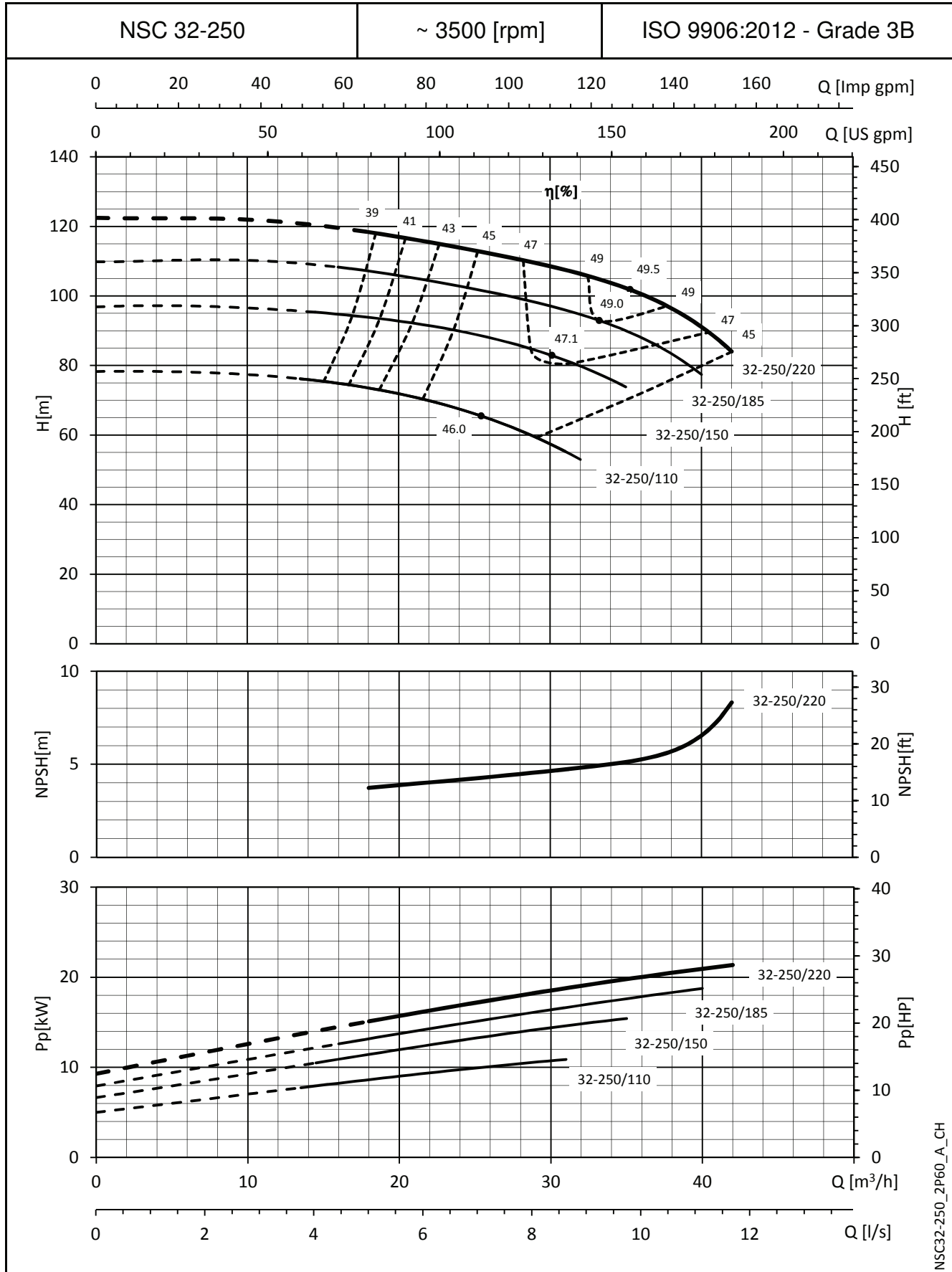


NSC2 32-250_2P60_B_CH

The NPSH values are laboratory values; for practical use we suggest increasing these values by 0,5 m.
 These performances are valid for liquids with density $\rho = 1,0 \text{ Kg/dm}^3$ and kinematic viscosity $\nu = 1 \text{ mm}^2/\text{sec}$.

e-NSC SERIES

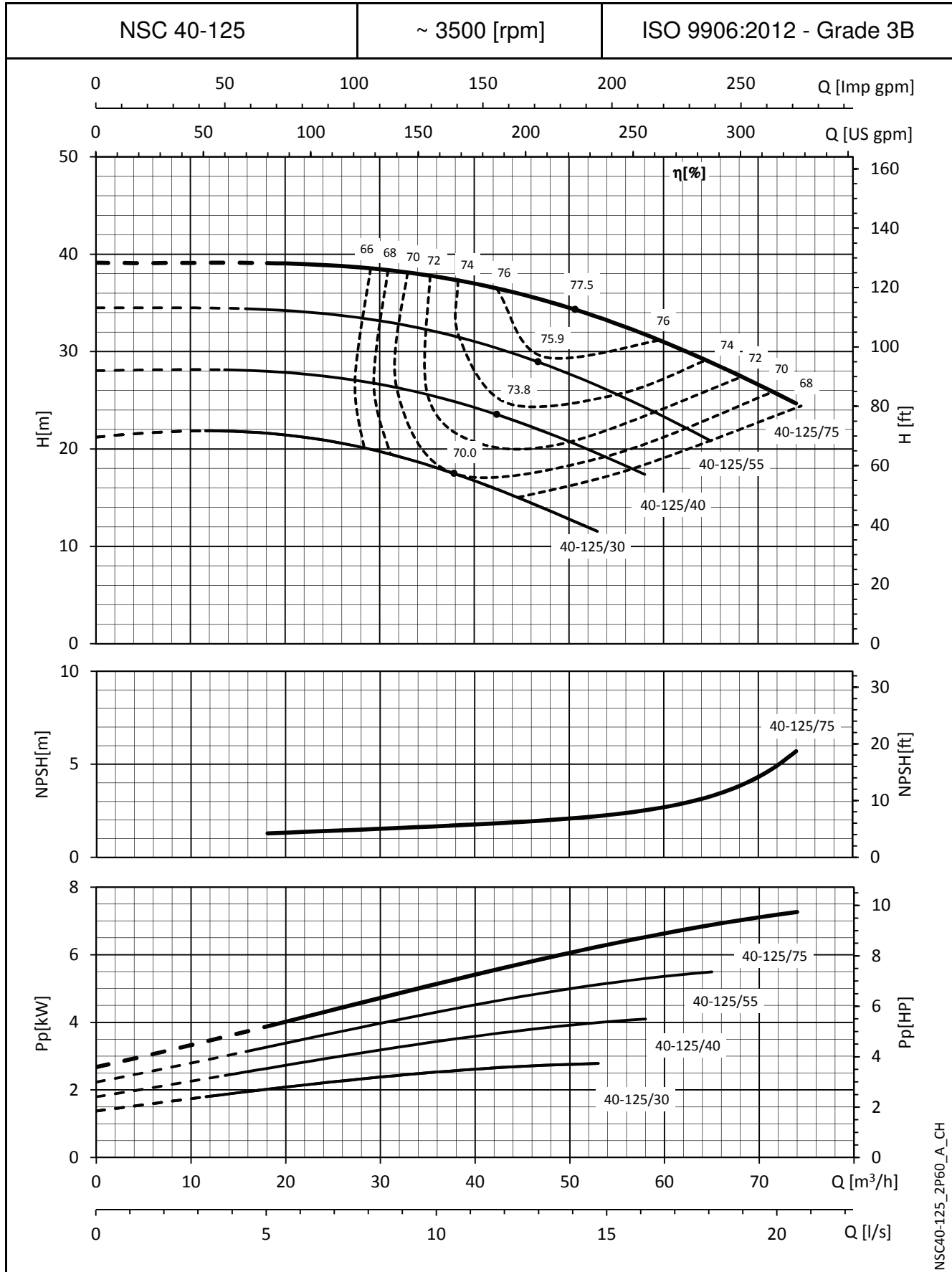
OPERATING CHARACTERISTICS AT 60 Hz, 2 POLES



NSC32-250_2P60_A_CH

The NPSH values are laboratory values; for practical use we suggest increasing these values by 0,5 m.
 These performances are valid for liquids with density $\rho = 1,0 \text{ Kg/dm}^3$ and kinematic viscosity $\nu = 1 \text{ mm}^2/\text{sec}$.

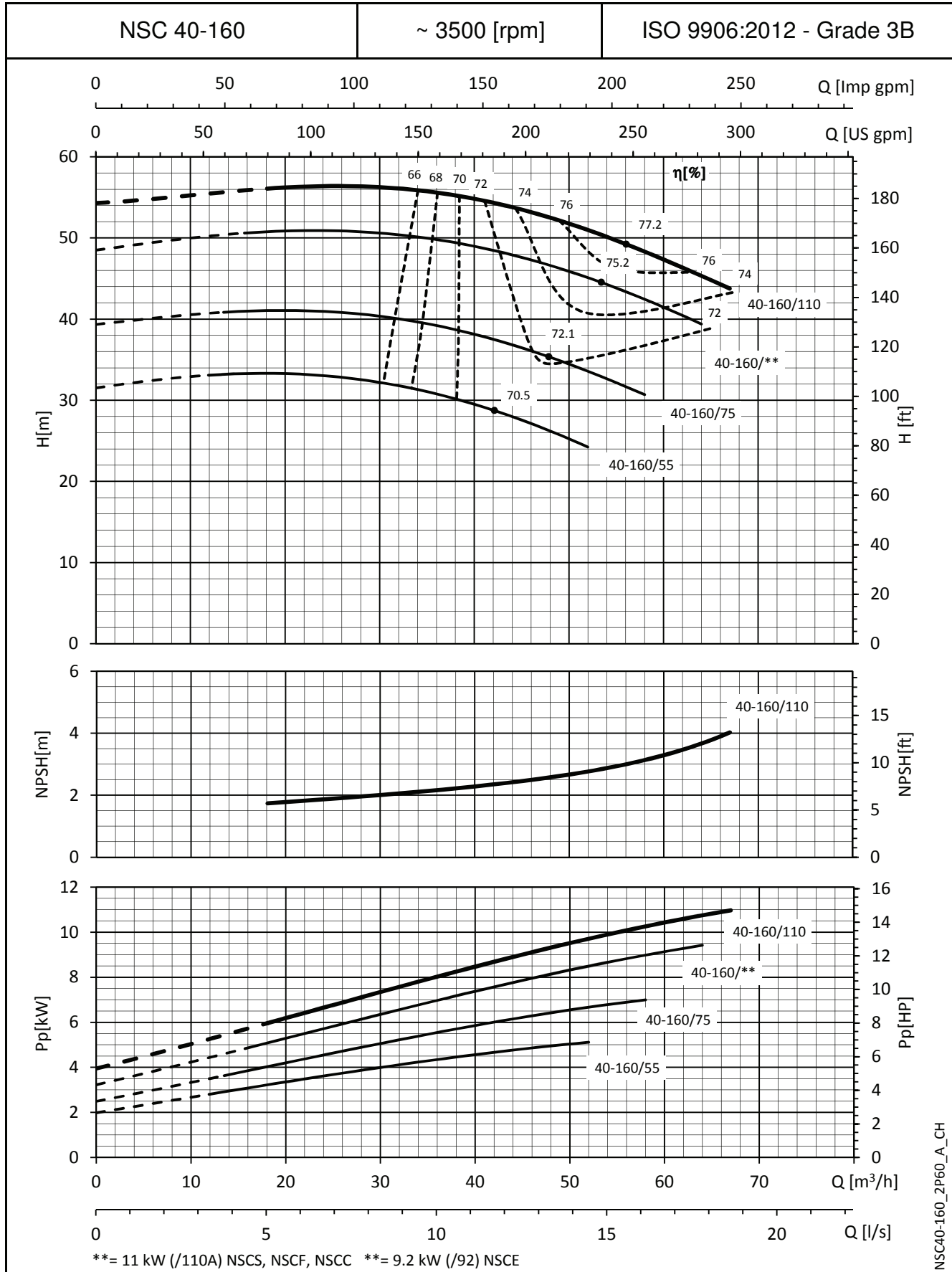
e-NSC SERIES
OPERATING CHARACTERISTICS AT 60 Hz, 2 POLES



NSC40-125_2P60_A_CH

The NPSH values are laboratory values; for practical use we suggest increasing these values by 0,5 m.
 These performances are valid for liquids with density $\rho = 1,0 \text{ Kg/dm}^3$ and kinematic viscosity $\nu = 1 \text{ mm}^2/\text{sec}$.

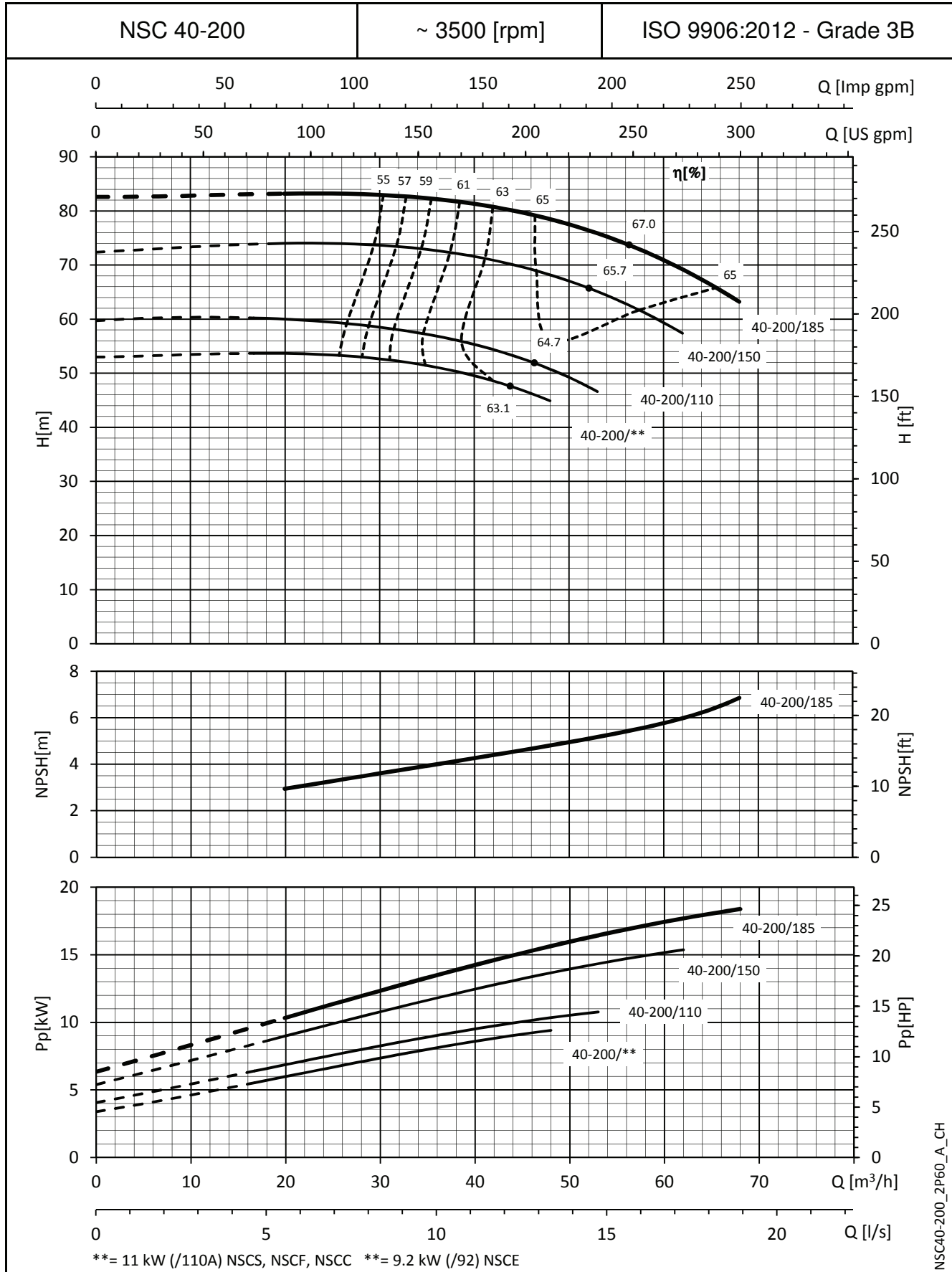
e-NSC SERIES
OPERATING CHARACTERISTICS AT 60 Hz, 2 POLES



NSC40-160_2P60_A_CH

The NPSH values are laboratory values; for practical use we suggest increasing these values by 0,5 m.
 These performances are valid for liquids with density $\rho = 1,0 \text{ Kg/dm}^3$ and kinematic viscosity $\nu = 1 \text{ mm}^2/\text{sec}$.

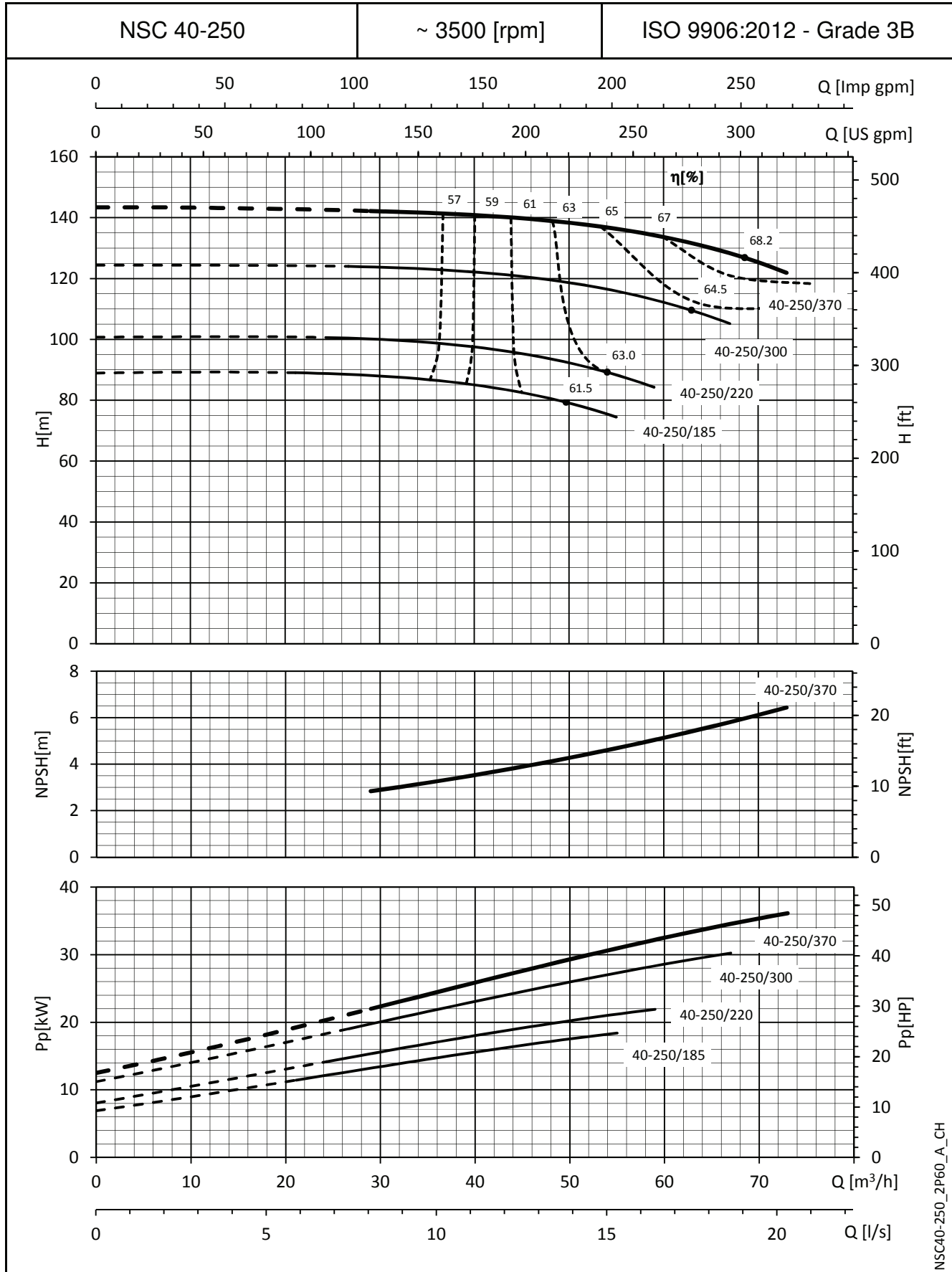
e-NSC SERIES
OPERATING CHARACTERISTICS AT 60 Hz, 2 POLES



NSC40-200_2P60_A_CH

The NPSH values are laboratory values; for practical use we suggest increasing these values by 0,5 m.
 These performances are valid for liquids with density $\rho = 1,0 \text{ Kg/dm}^3$ and kinematic viscosity $\nu = 1 \text{ mm}^2/\text{sec}$.

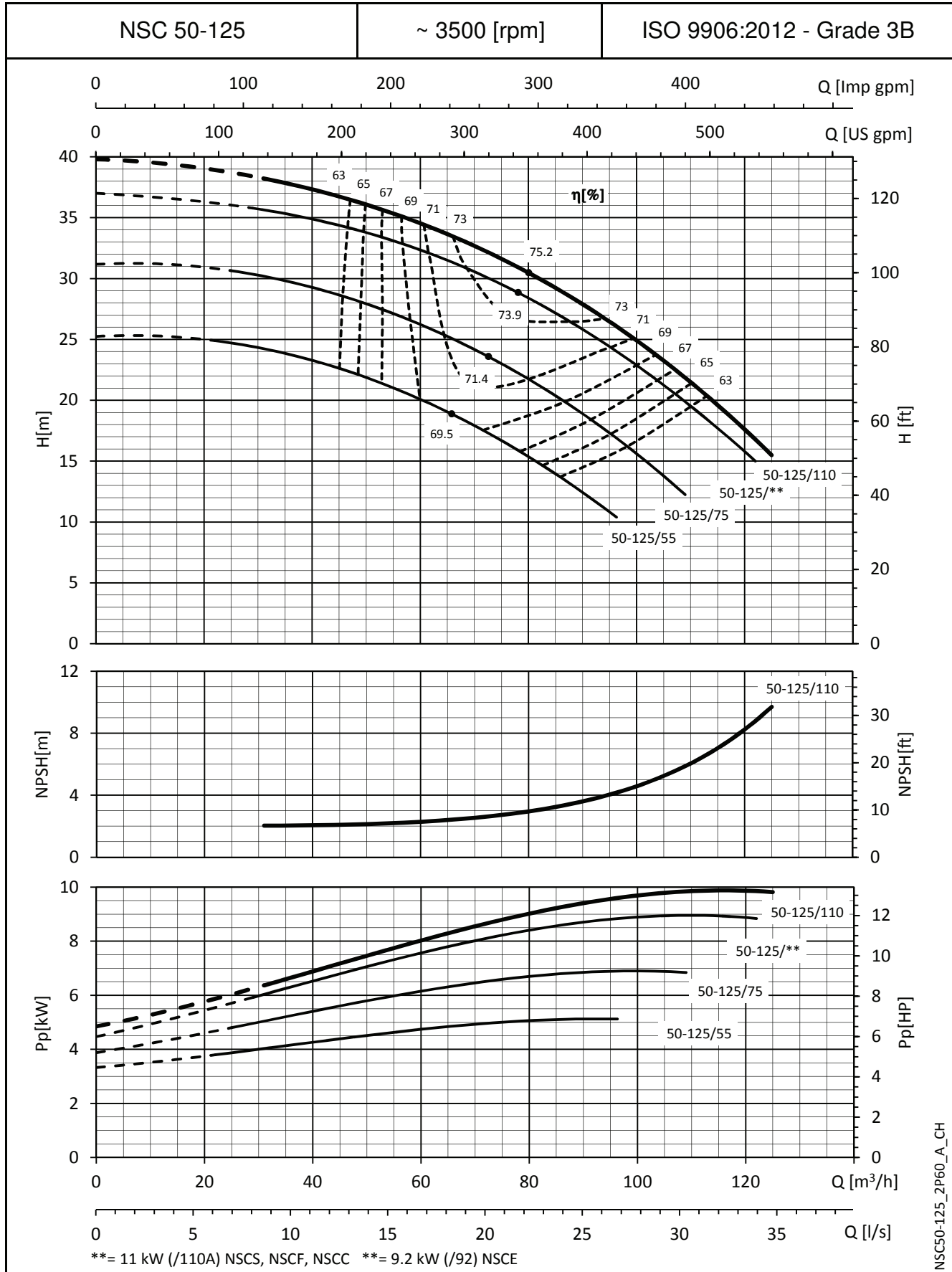
e-NSC SERIES
OPERATING CHARACTERISTICS AT 60 Hz, 2 POLES



NSC40-250_2P60_A_CH

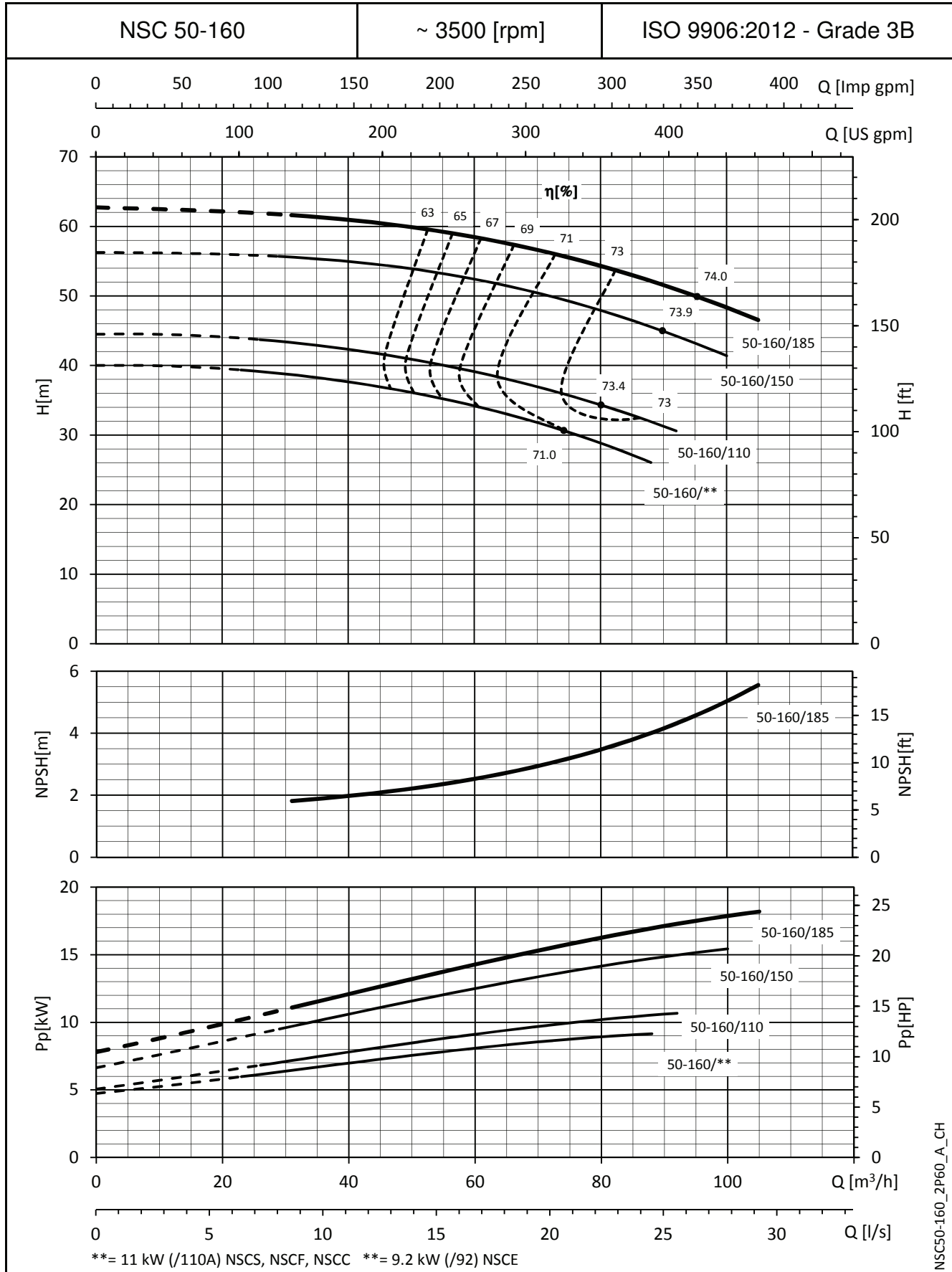
The NPSH values are laboratory values; for practical use we suggest increasing these values by 0,5 m.
 These performances are valid for liquids with density $\rho = 1,0 \text{ Kg/dm}^3$ and kinematic viscosity $\nu = 1 \text{ mm}^2/\text{sec}$.

e-NSC SERIES
OPERATING CHARACTERISTICS AT 60 Hz, 2 POLES



The NPSH values are laboratory values; for practical use we suggest increasing these values by 0,5 m.
 These performances are valid for liquids with density $\rho = 1,0 \text{ Kg/dm}^3$ and kinematic viscosity $\nu = 1 \text{ mm}^2/\text{sec}$.

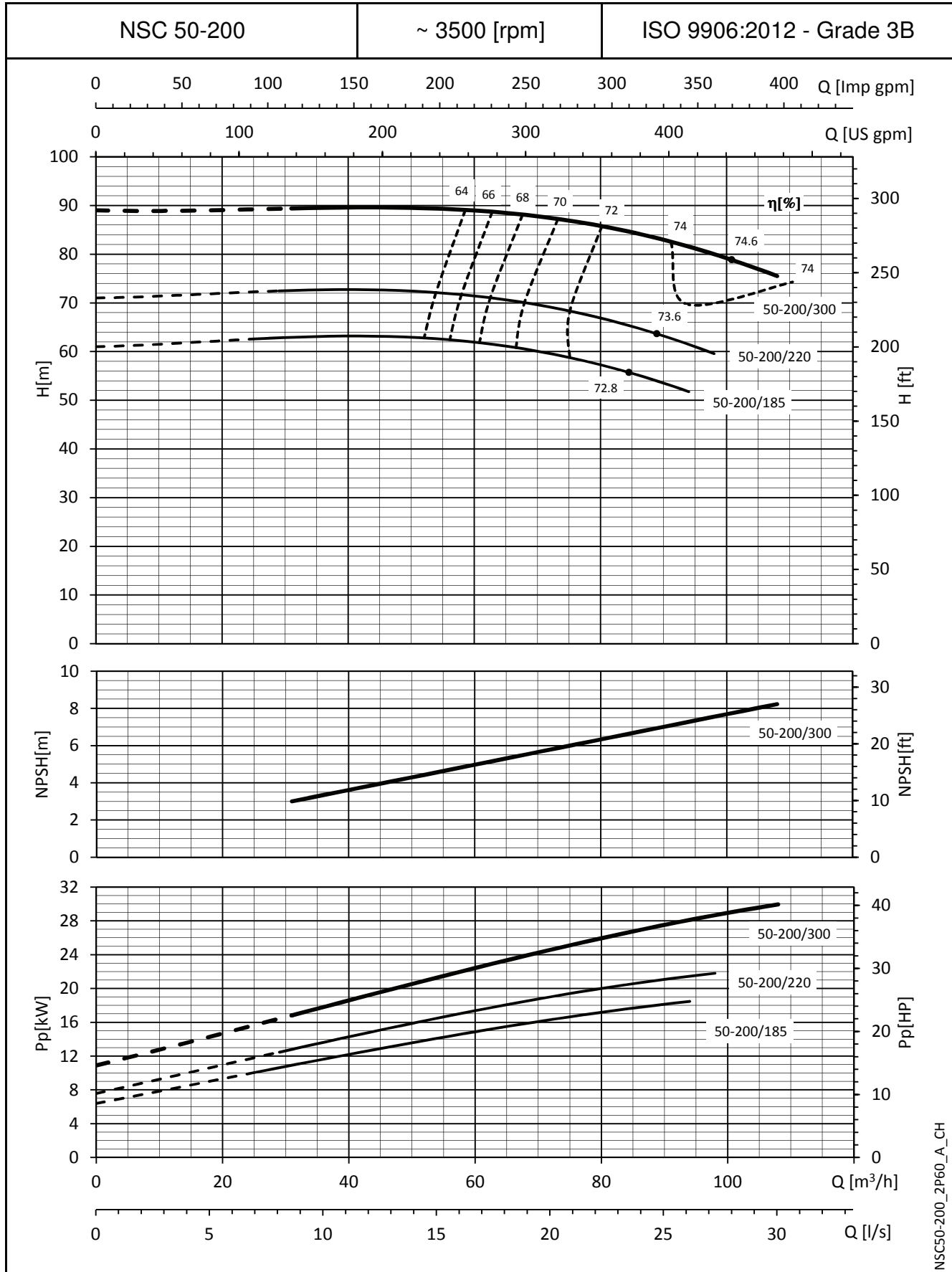
e-NSC SERIES
OPERATING CHARACTERISTICS AT 60 Hz, 2 POLES



The NPSH values are laboratory values; for practical use we suggest increasing these values by 0,5 m.
 These performances are valid for liquids with density $\rho = 1,0 \text{ Kg/dm}^3$ and kinematic viscosity $\nu = 1 \text{ mm}^2/\text{sec}$.

e-NSC SERIES

OPERATING CHARACTERISTICS AT 60 Hz, 2 POLES

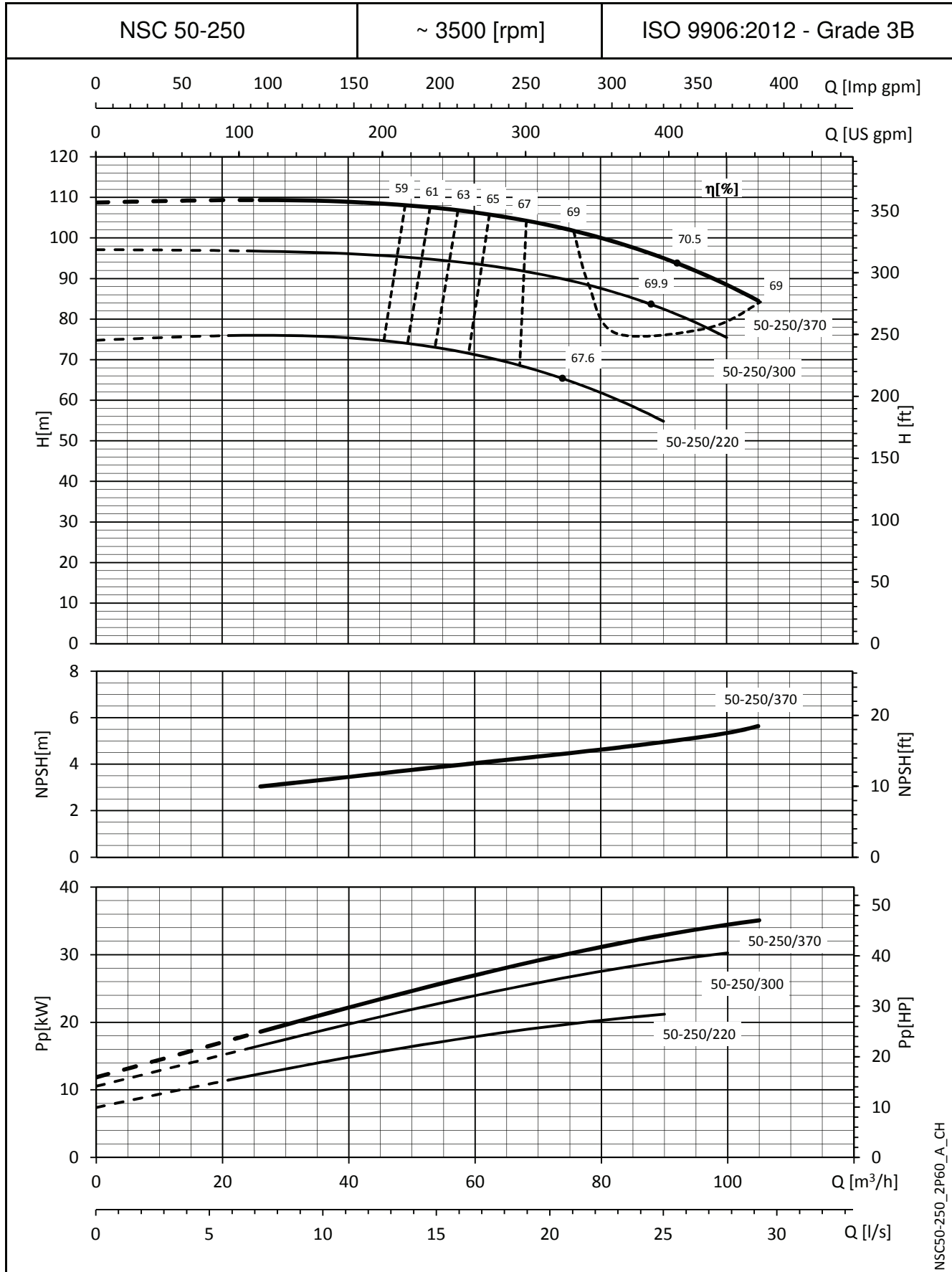


NSC50-200_2P60_A_CH

The NPSH values are laboratory values; for practical use we suggest increasing these values by 0,5 m.
 These performances are valid for liquids with density $\rho = 1,0 \text{ Kg/dm}^3$ and kinematic viscosity $\nu = 1 \text{ mm}^2/\text{sec}$.

e-NSC SERIES

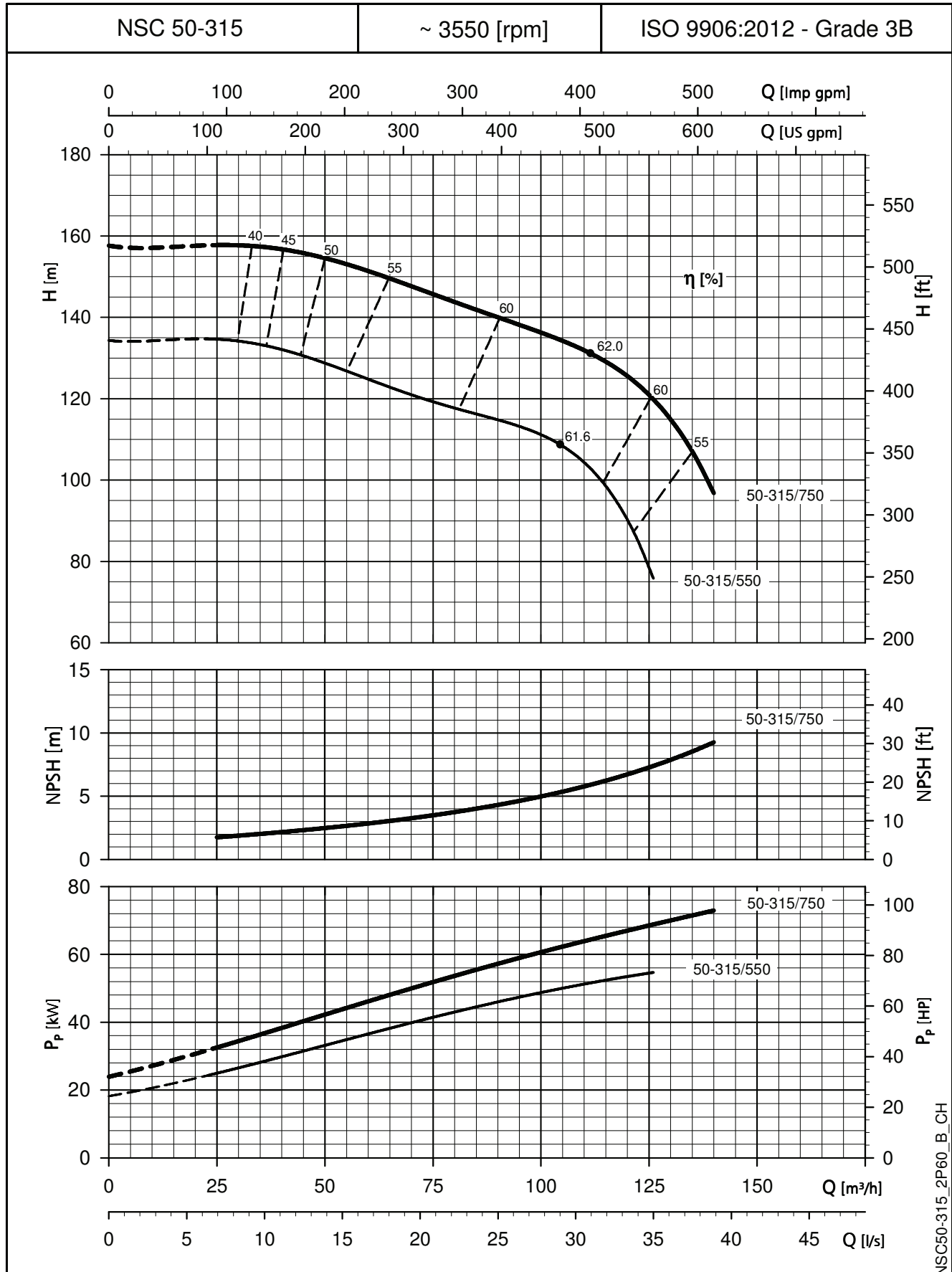
OPERATING CHARACTERISTICS AT 60 Hz, 2 POLES



NSC50-250_2P60_A_CH

The NPSH values are laboratory values; for practical use we suggest increasing these values by 0,5 m.
 These performances are valid for liquids with density $\rho = 1,0 \text{ Kg/dm}^3$ and kinematic viscosity $\nu = 1 \text{ mm}^2/\text{sec}$.

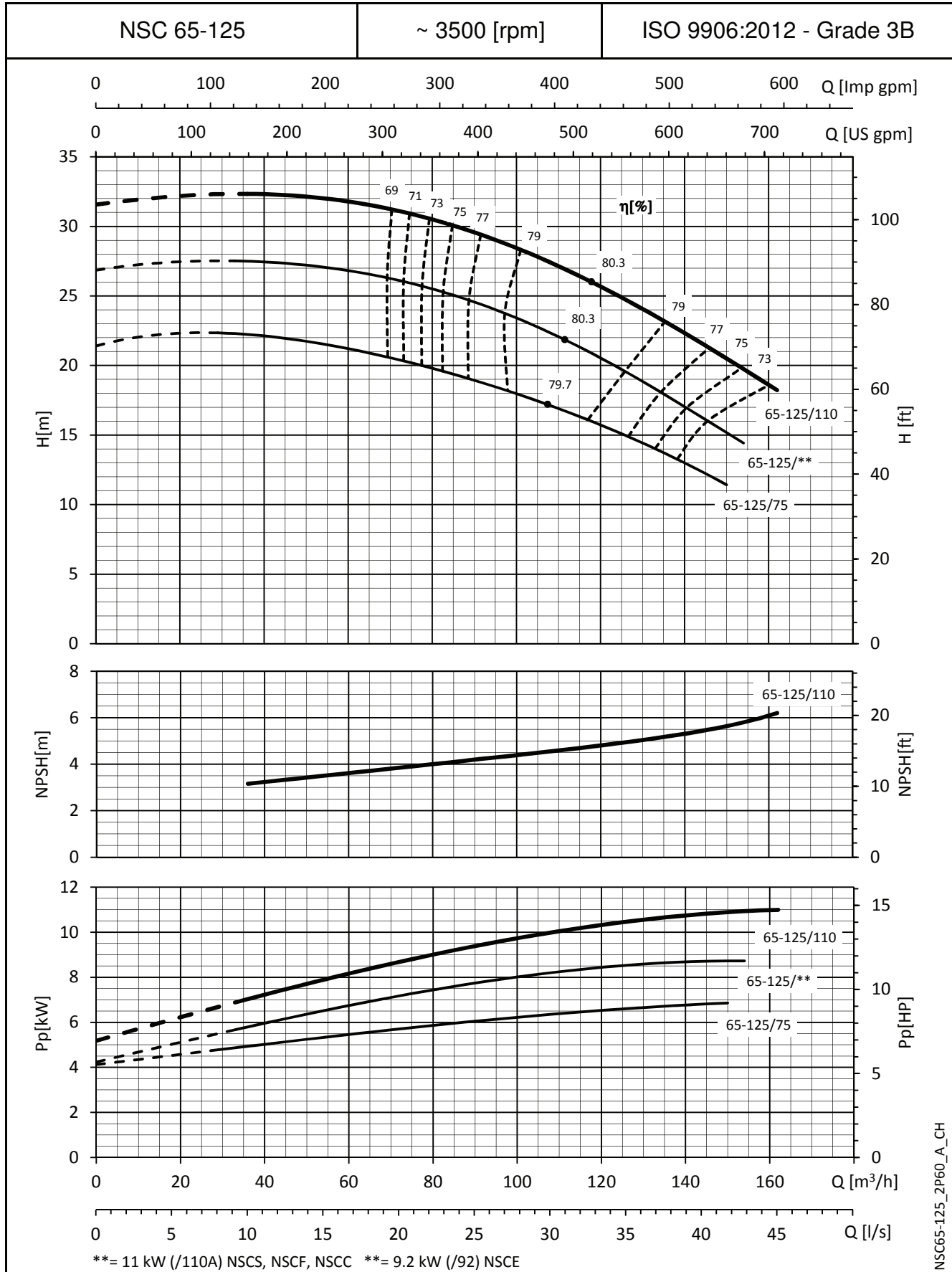
e-NSC SERIES
OPERATING CHARACTERISTICS AT 60 Hz, 2 POLES



NSC50-315_2P60_B_CH

The NPSH values are laboratory values; for practical use we suggest increasing these values by 0,5 m.
 These performances are valid for liquids with density $\rho = 1,0 \text{ Kg/dm}^3$ and kinematic viscosity $\nu = 1 \text{ mm}^2/\text{sec}$.

e-NSC SERIES
OPERATING CHARACTERISTICS AT 60 Hz, 2 POLES

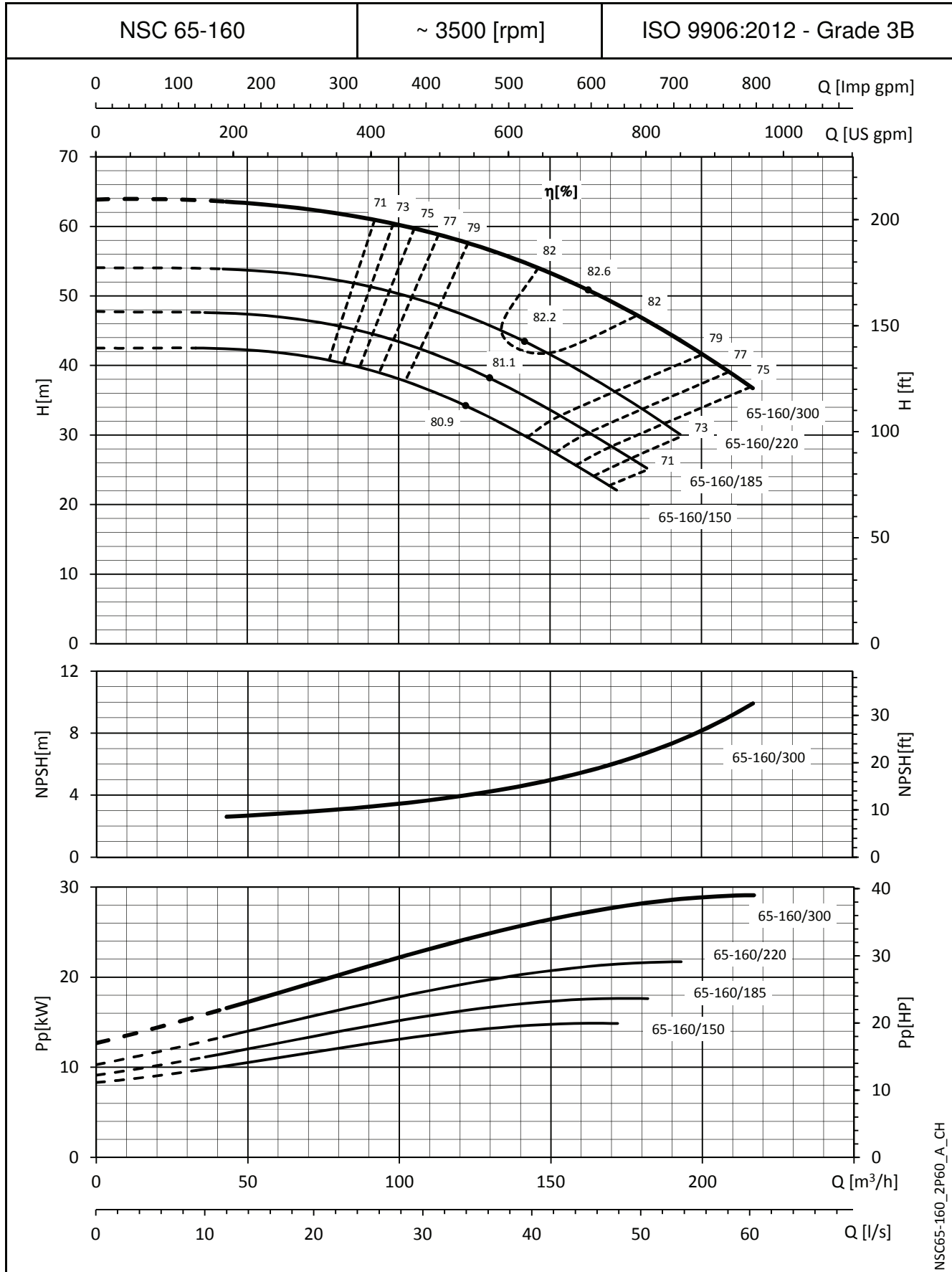


NSC65-125_2P60_A_CH

The NPSH values are laboratory values; for practical use we suggest increasing these values by 0,5 m.
 These performances are valid for liquids with density $\rho = 1,0 \text{ Kg/dm}^3$ and kinematic viscosity $\nu = 1 \text{ mm}^2/\text{sec}$.

e-NSC SERIES

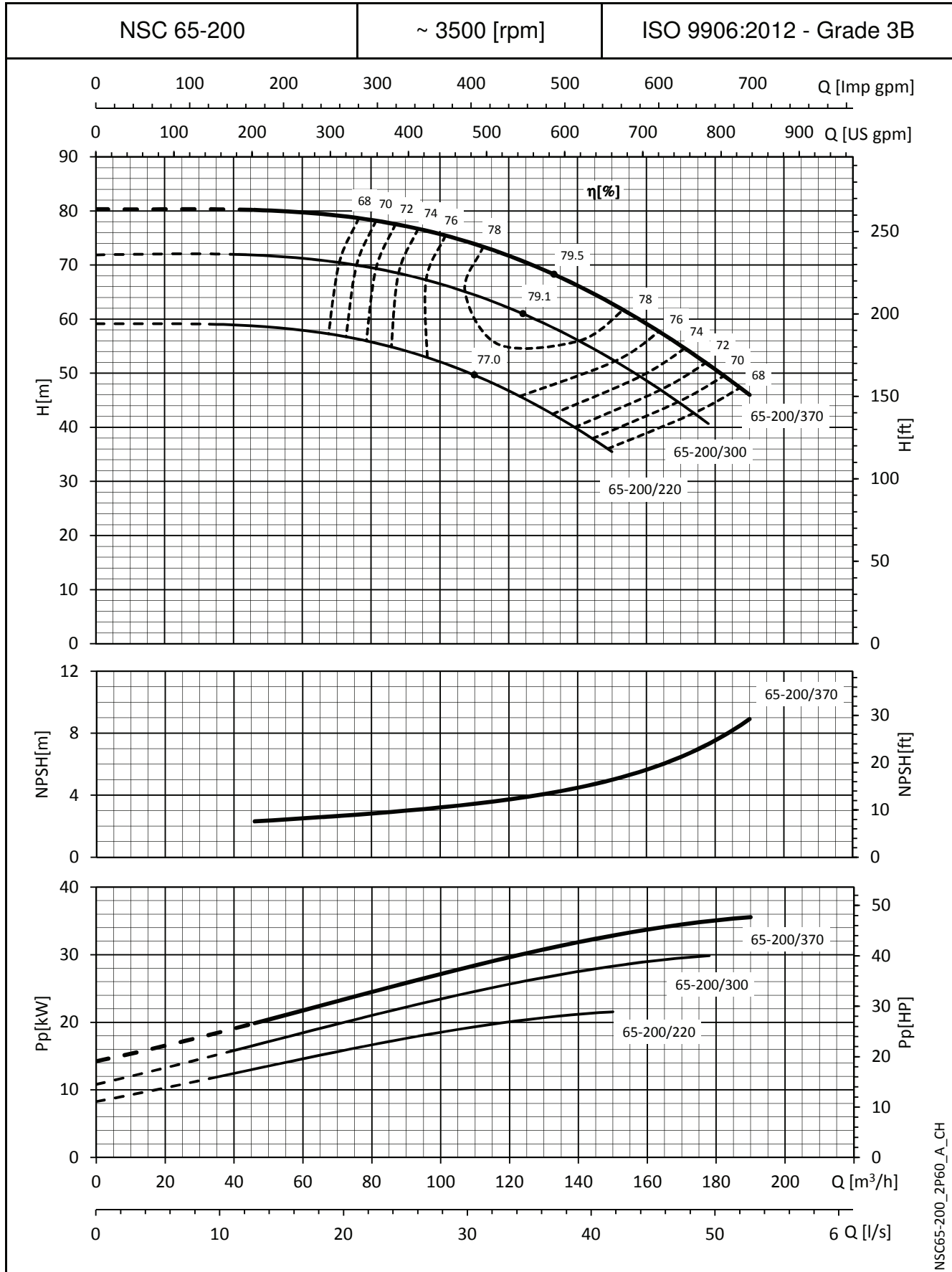
OPERATING CHARACTERISTICS AT 60 Hz, 2 POLES



NSC65-160_2P60_A_CH

The NPSH values are laboratory values; for practical use we suggest increasing these values by 0,5 m.
 These performances are valid for liquids with density $\rho = 1,0 \text{ Kg/dm}^3$ and kinematic viscosity $\nu = 1 \text{ mm}^2/\text{sec}$.

e-NSC SERIES
OPERATING CHARACTERISTICS AT 60 Hz, 2 POLES

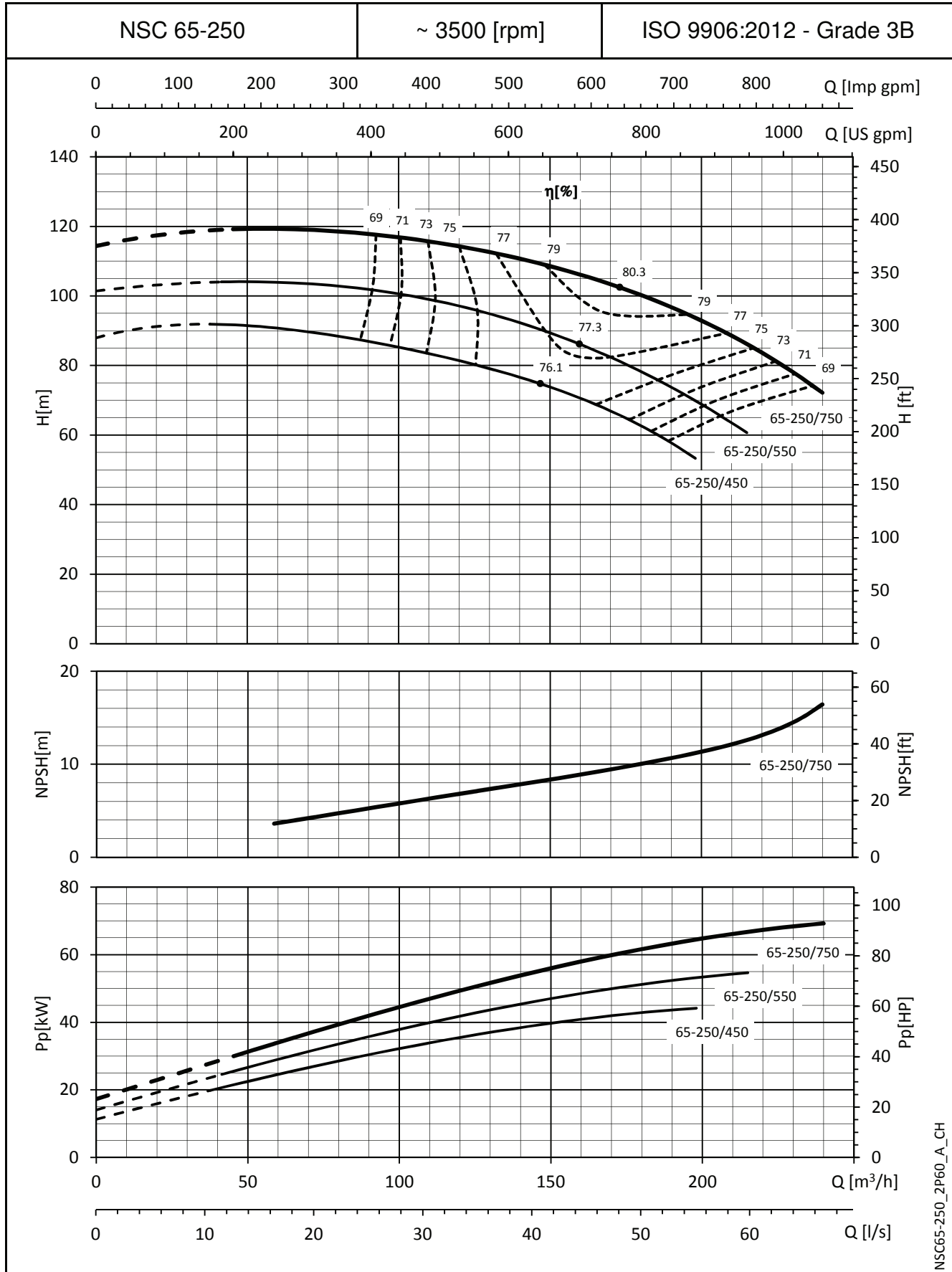


NSC65-200_2P60_A_CH

The NPSH values are laboratory values; for practical use we suggest increasing these values by 0,5 m.
 These performances are valid for liquids with density $\rho = 1,0 \text{ Kg/dm}^3$ and kinematic viscosity $\nu = 1 \text{ mm}^2/\text{sec}$.

e-NSC SERIES

OPERATING CHARACTERISTICS AT 60 Hz, 2 POLES

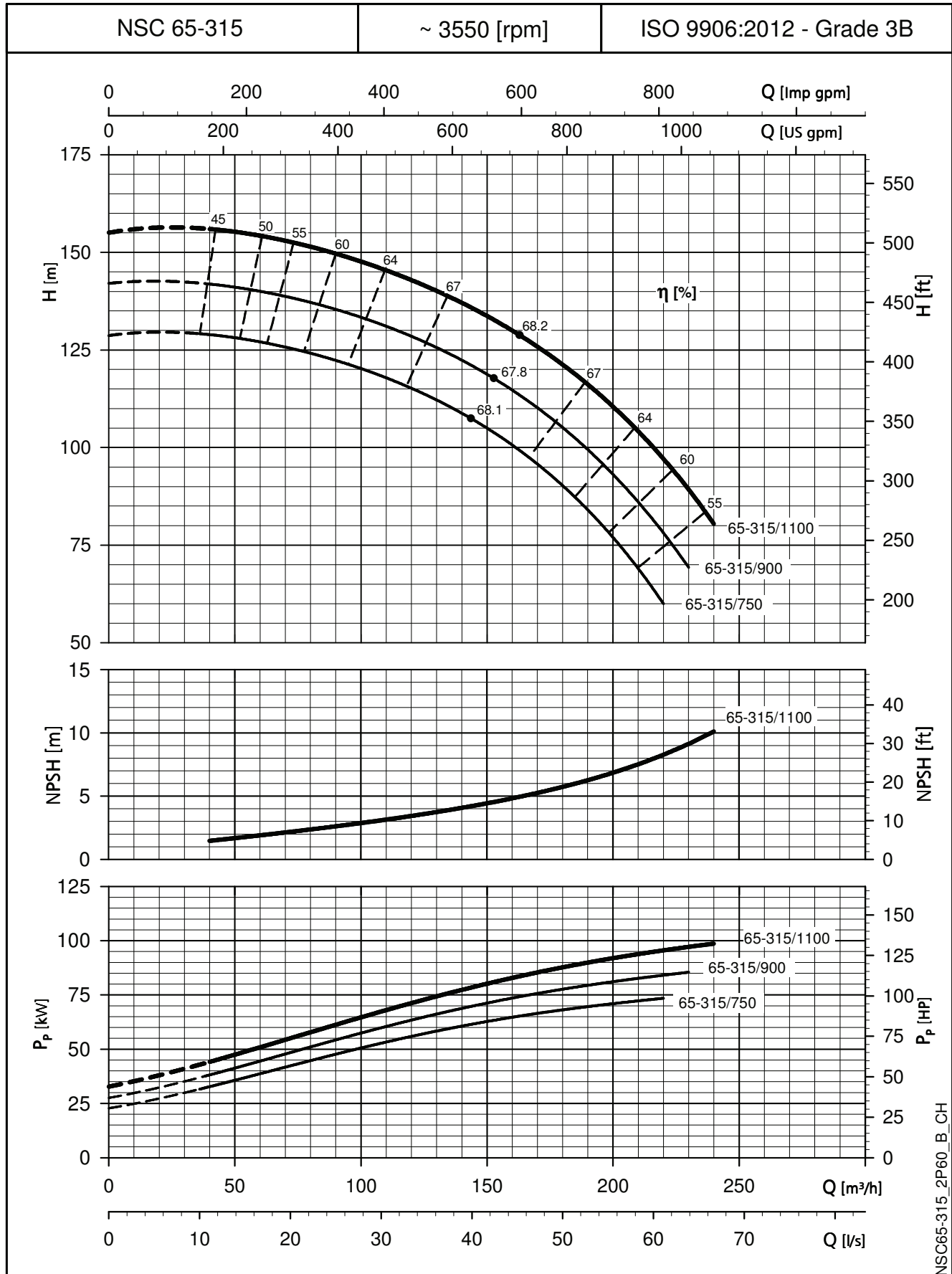


NSC65-250_2P60_A_CH

The NPSH values are laboratory values; for practical use we suggest increasing these values by 0,5 m.
 These performances are valid for liquids with density $\rho = 1,0 \text{ Kg/dm}^3$ and kinematic viscosity $\nu = 1 \text{ mm}^2/\text{sec}$.

e-NSC SERIES

OPERATING CHARACTERISTICS AT 60 Hz, 2 POLES

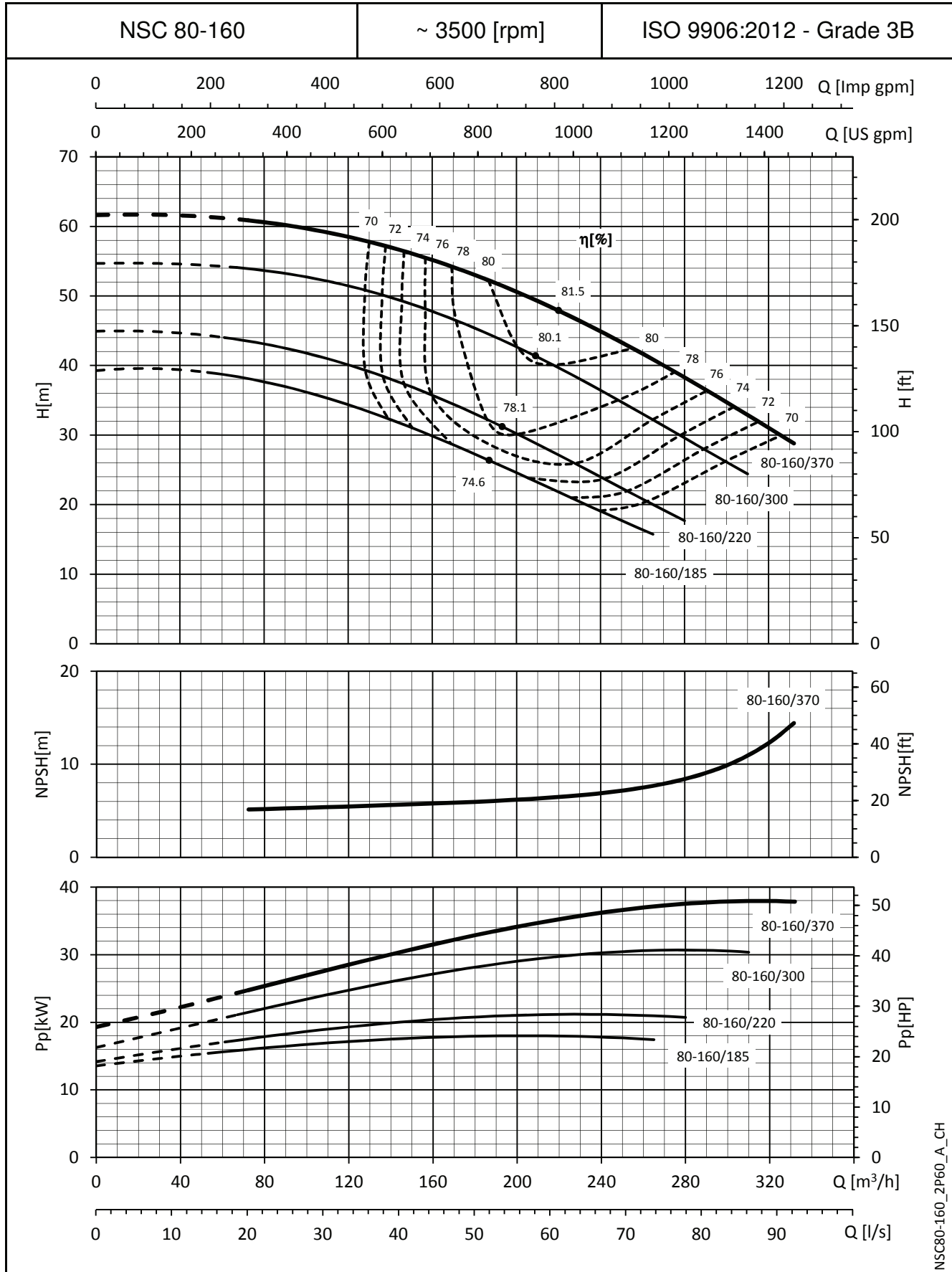


NSC65-315_2P60_B_CH

The NPSH values are laboratory values; for practical use we suggest increasing these values by 0,5 m.
 These performances are valid for liquids with density $\rho = 1,0 \text{ Kg/dm}^3$ and kinematic viscosity $\nu = 1 \text{ mm}^2/\text{sec}$.

e-NSC SERIES

OPERATING CHARACTERISTICS AT 60 Hz, 2 POLES

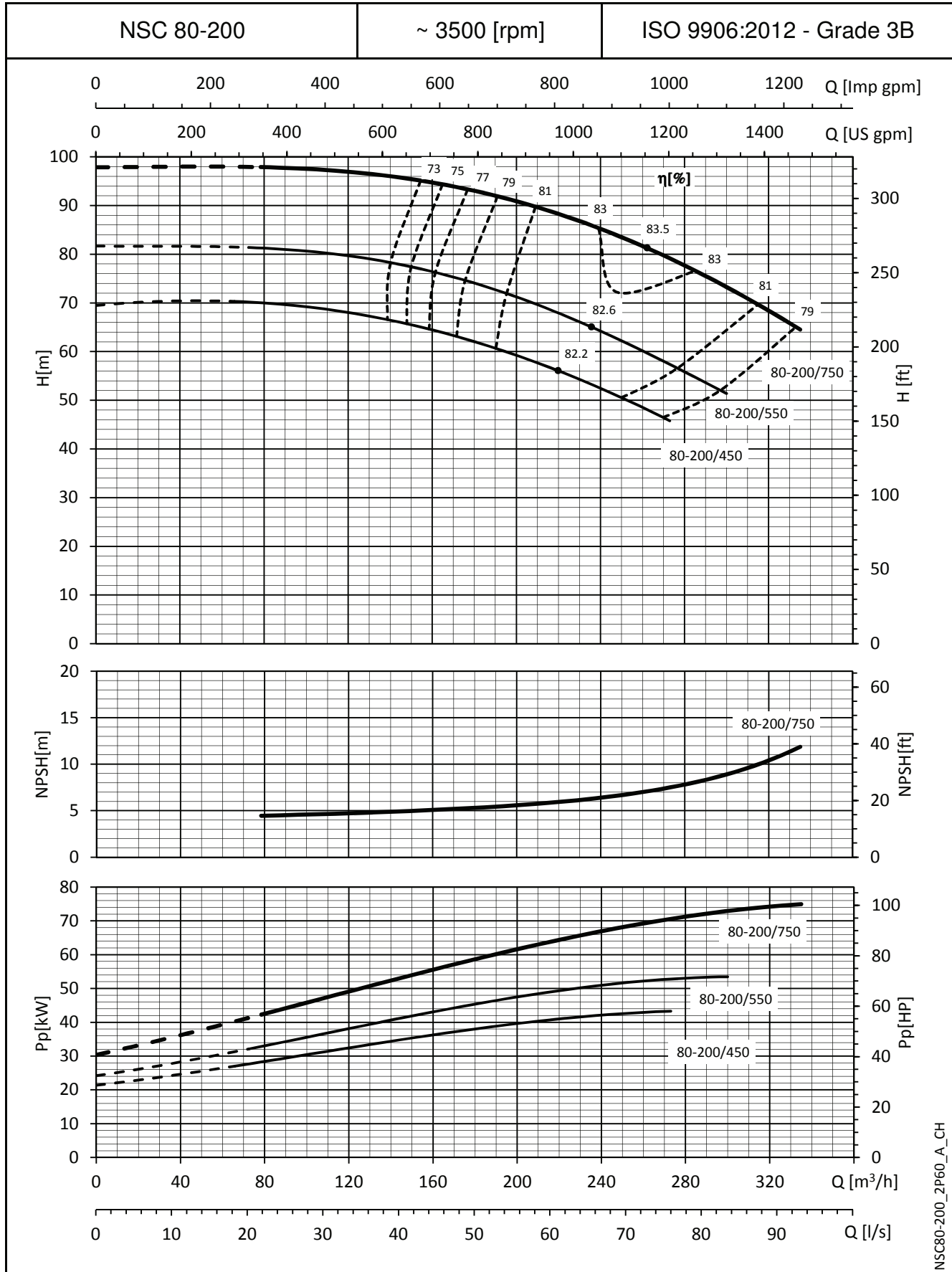


NSC80-160_2P60_A_CH

The NPSH values are laboratory values; for practical use we suggest increasing these values by 0,5 m.
 These performances are valid for liquids with density $\rho = 1,0 \text{ Kg/dm}^3$ and kinematic viscosity $\nu = 1 \text{ mm}^2/\text{sec}$.

e-NSC SERIES

OPERATING CHARACTERISTICS AT 60 Hz, 2 POLES

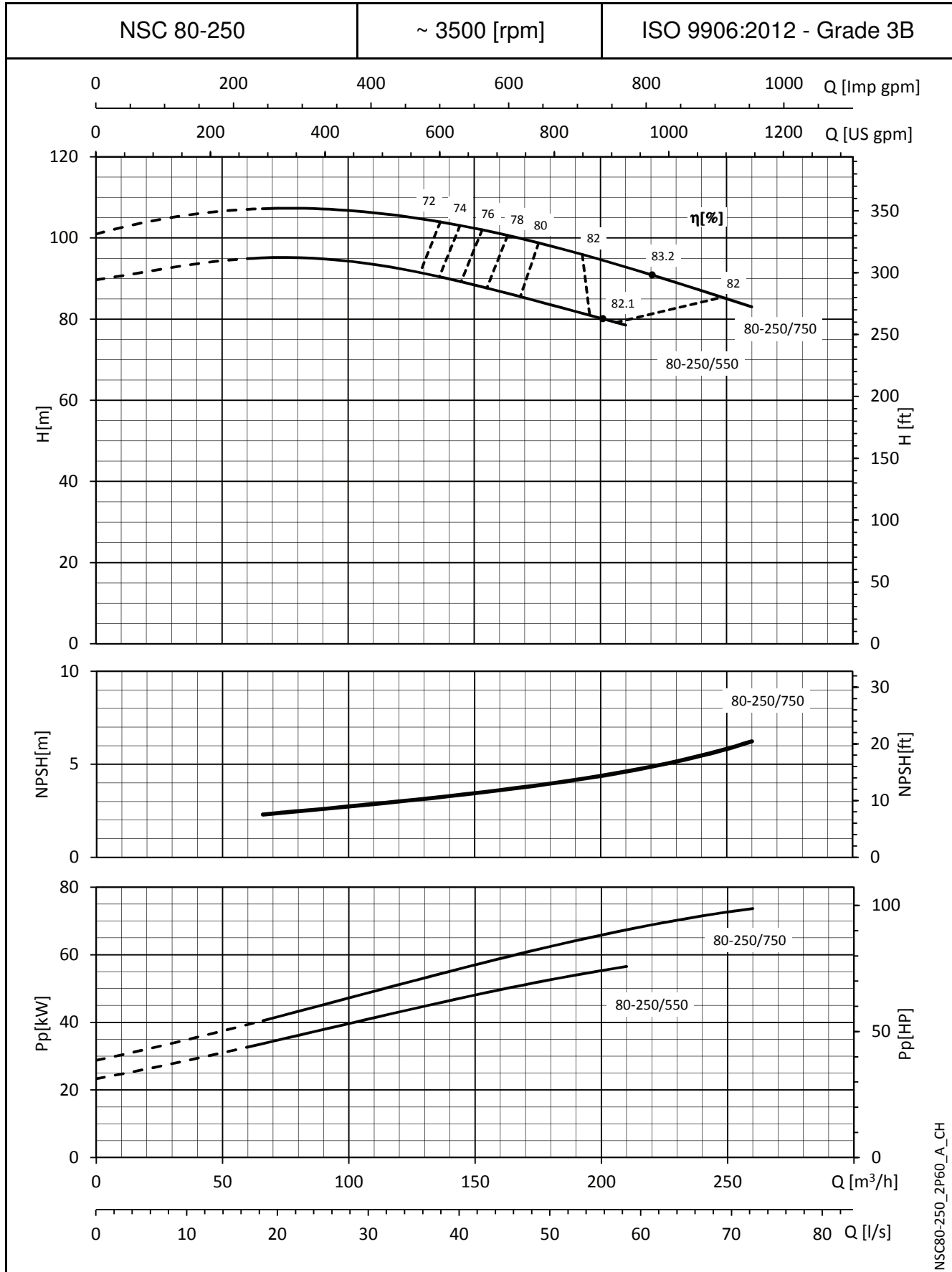


NSC80-200_2P60_A_CH

The NPSH values are laboratory values; for practical use we suggest increasing these values by 0,5 m.
 These performances are valid for liquids with density $\rho = 1,0 \text{ Kg/dm}^3$ and kinematic viscosity $\nu = 1 \text{ mm}^2/\text{sec}$.

e-NSC SERIES

OPERATING CHARACTERISTICS AT 60 Hz, 2 POLES

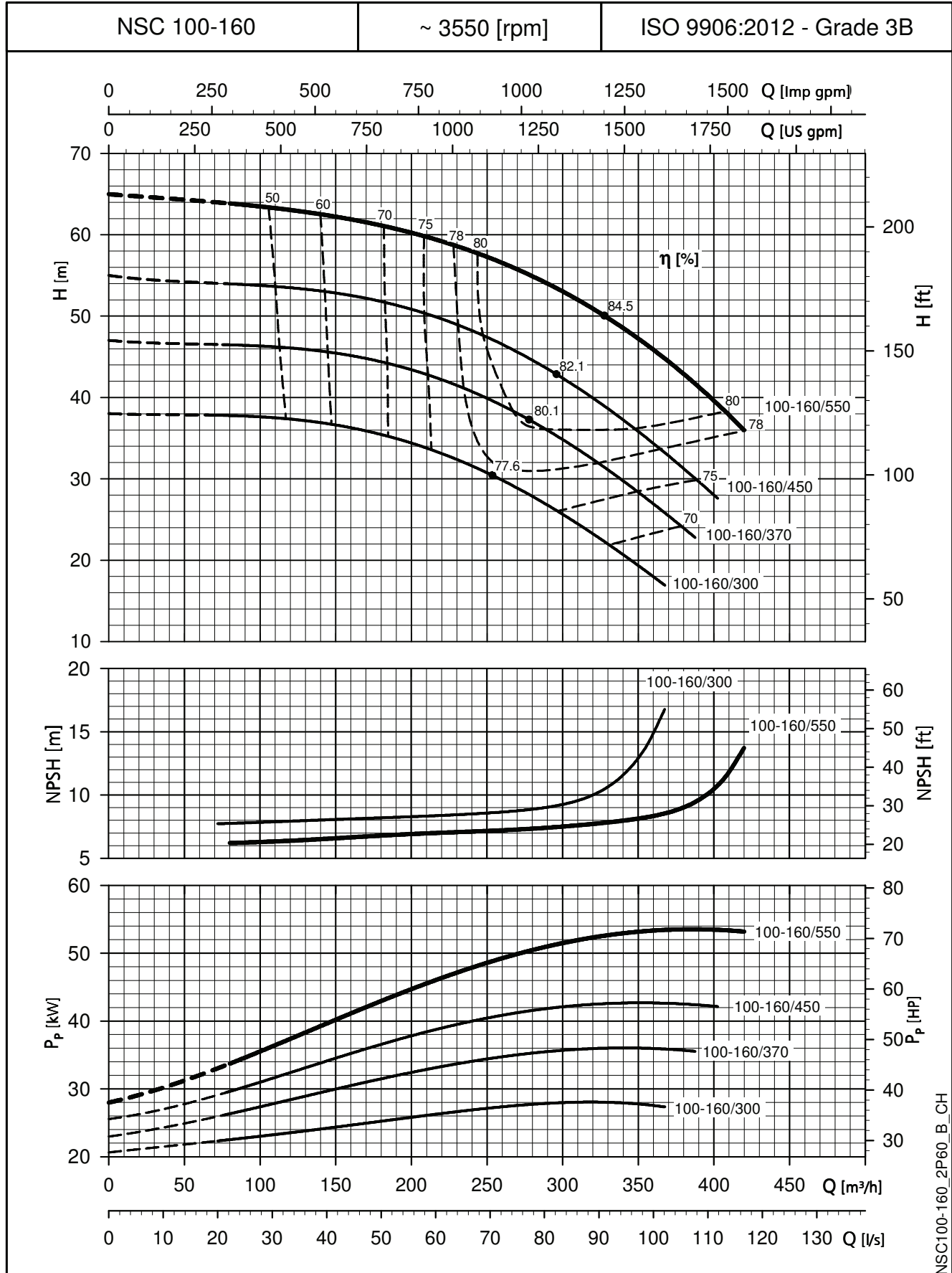


NSC80-250_2P60_A_CH

The NPSH values are laboratory values; for practical use we suggest increasing these values by 0,5 m.
 These performances are valid for liquids with density $\rho = 1,0 \text{ Kg/dm}^3$ and kinematic viscosity $\nu = 1 \text{ mm}^2/\text{sec}$.

e-NSC SERIES

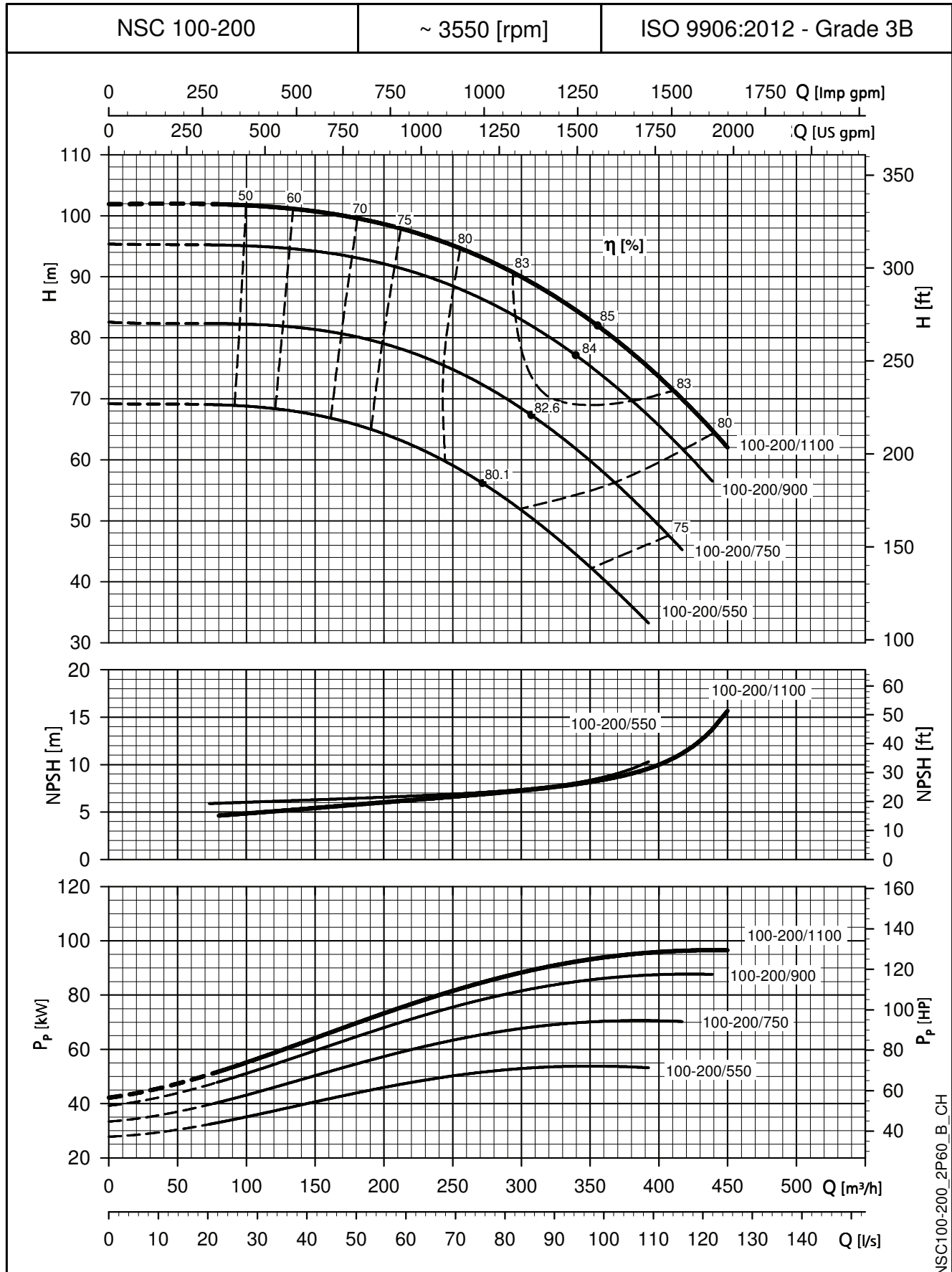
OPERATING CHARACTERISTICS AT 60 Hz, 2 POLES



The NPSH values are laboratory values; for practical use we suggest increasing these values by 0,5 m.
 These performances are valid for liquids with density $\rho = 1,0 \text{ Kg/dm}^3$ and kinematic viscosity $\nu = 1 \text{ mm}^2/\text{sec}$.

e-NSC SERIES

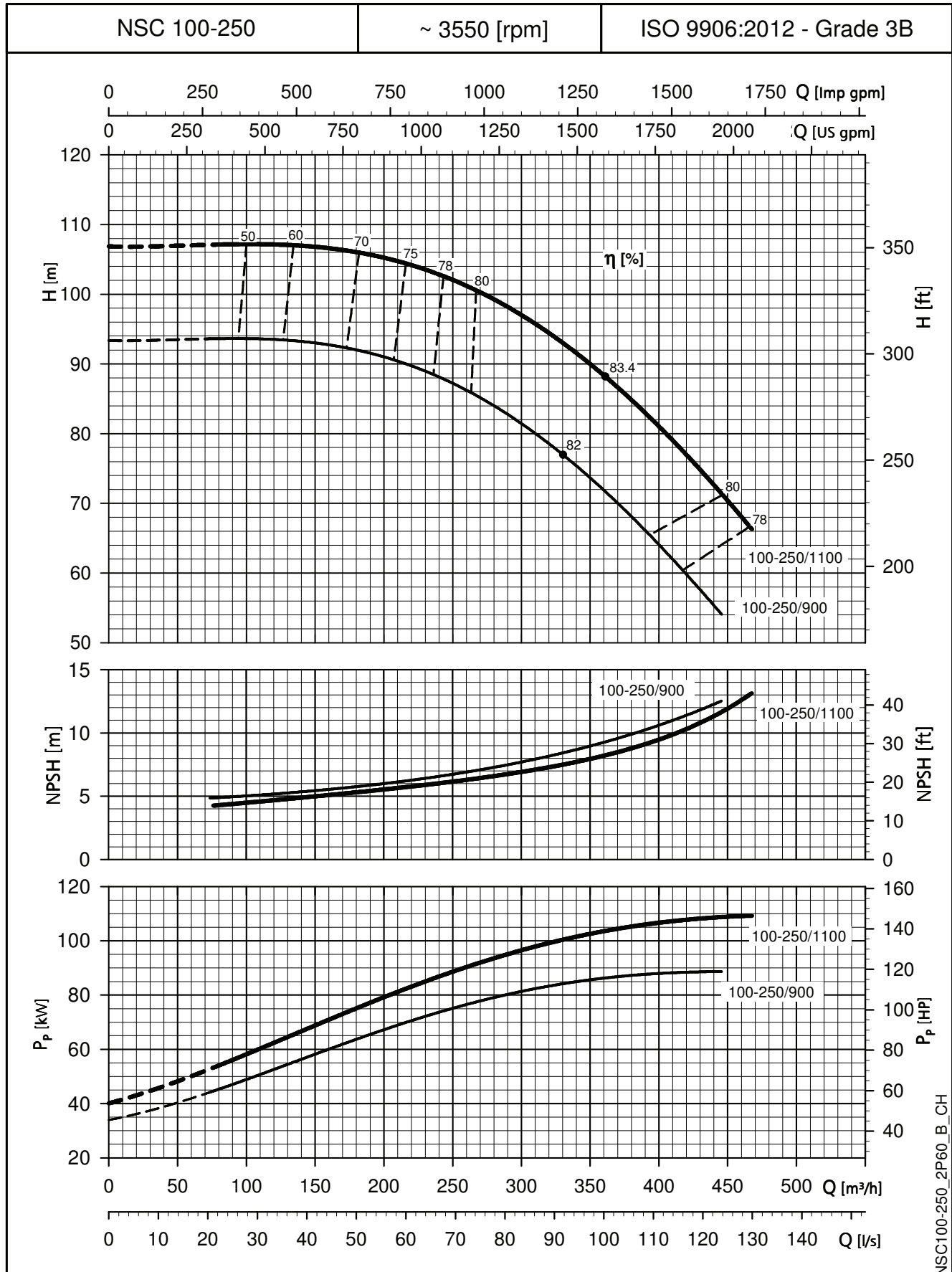
OPERATING CHARACTERISTICS AT 60 Hz, 2 POLES



The NPSH values are laboratory values; for practical use we suggest increasing these values by 0,5 m.
 These performances are valid for liquids with density $\rho = 1,0 \text{ Kg/dm}^3$ and kinematic viscosity $\nu = 1 \text{ mm}^2/\text{sec}$.

e-NSC SERIES

OPERATING CHARACTERISTICS AT 60 Hz, 2 POLES

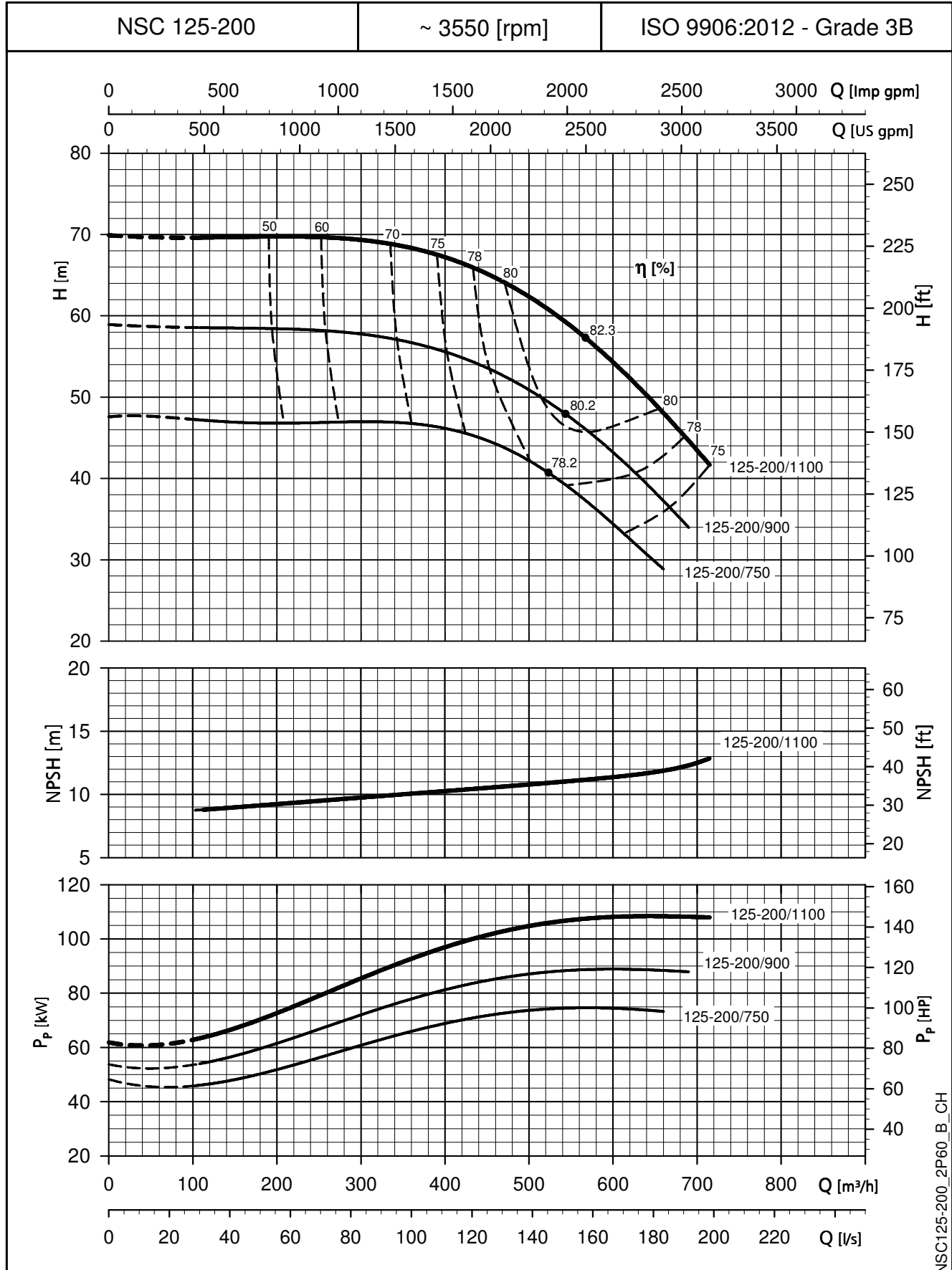


NSC100-250_2P60_B_CH

The NPSH values are laboratory values; for practical use we suggest increasing these values by 0,5 m.
 These performances are valid for liquids with density $\rho = 1,0 \text{ Kg/dm}^3$ and kinematic viscosity $\nu = 1 \text{ mm}^2/\text{sec}$.

e-NSC SERIES

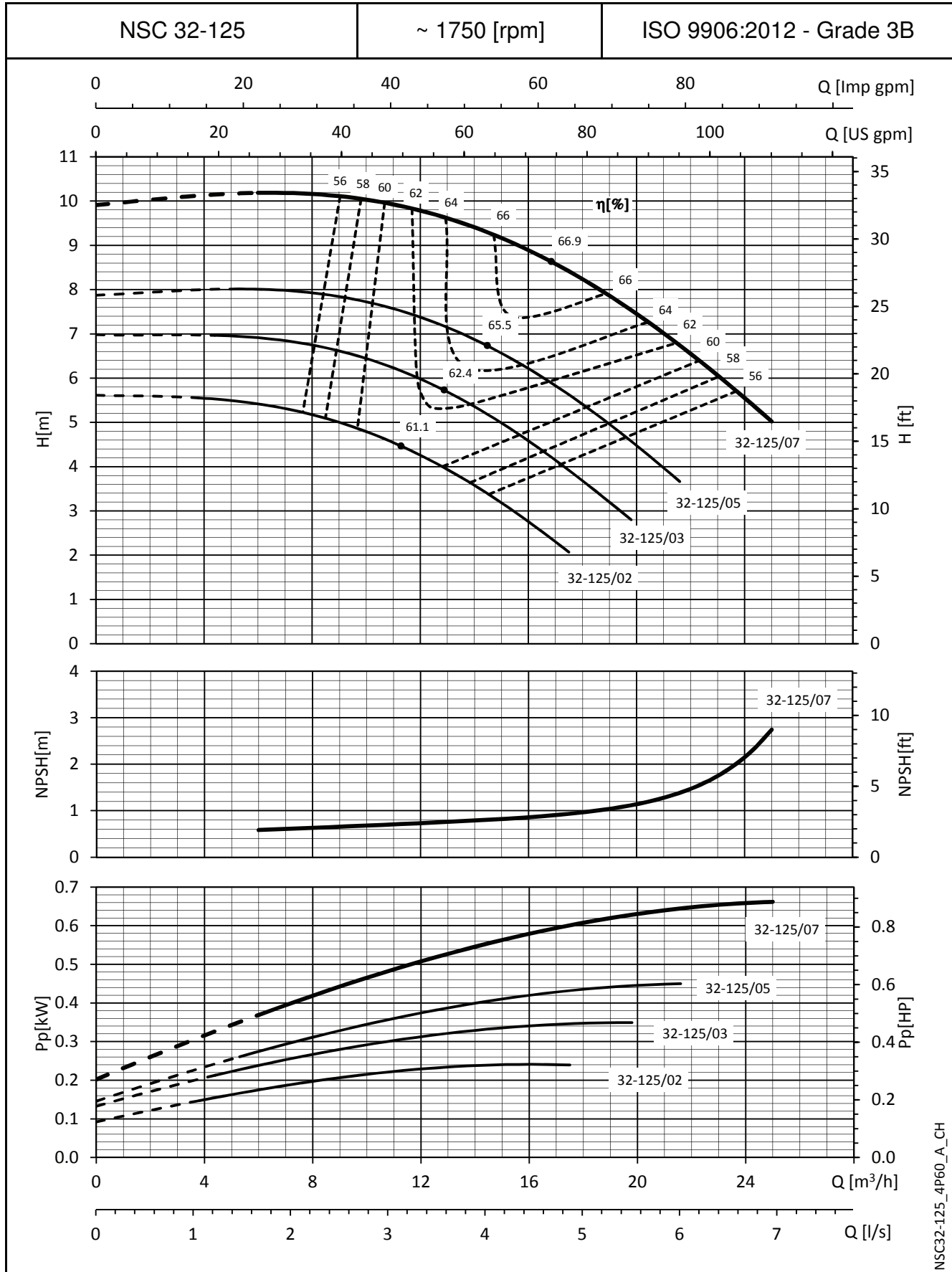
OPERATING CHARACTERISTICS AT 60 Hz, 2 POLES



NSC125-200_2P60_B_CH

The NPSH values are laboratory values; for practical use we suggest increasing these values by 0,5 m.
 These performances are valid for liquids with density $\rho = 1,0 \text{ Kg/dm}^3$ and kinematic viscosity $\nu = 1 \text{ mm}^2/\text{sec}$.

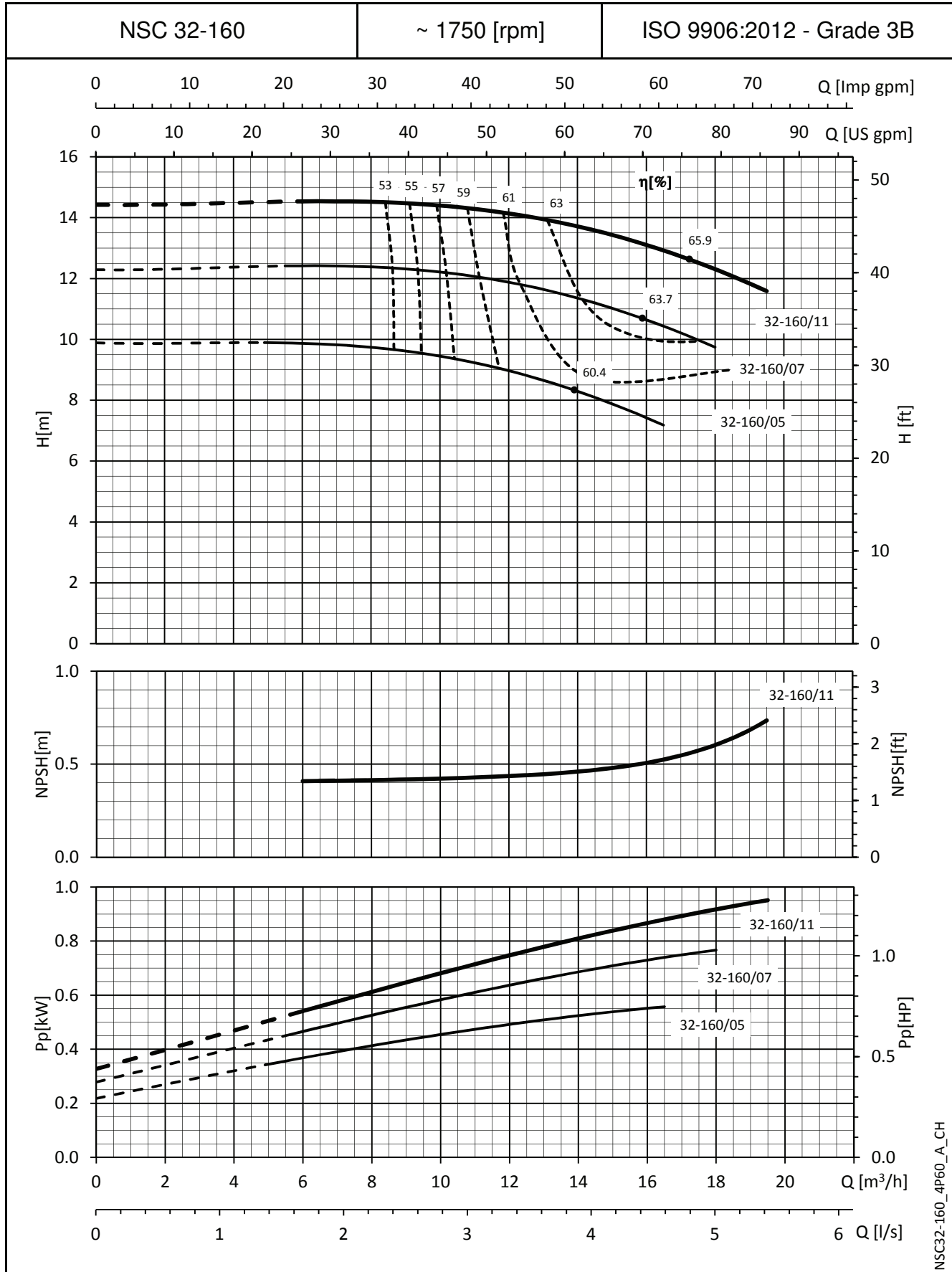
e-NSC SERIES
OPERATING CHARACTERISTICS AT 60 Hz, 4 POLES



NSC32-125_4P60_A_CH

The NPSH values are laboratory values; for practical use we suggest increasing these values by 0,5 m.
 These performances are valid for liquids with density $\rho = 1,0 \text{ Kg/dm}^3$ and kinematic viscosity $\nu = 1 \text{ mm}^2/\text{sec}$.

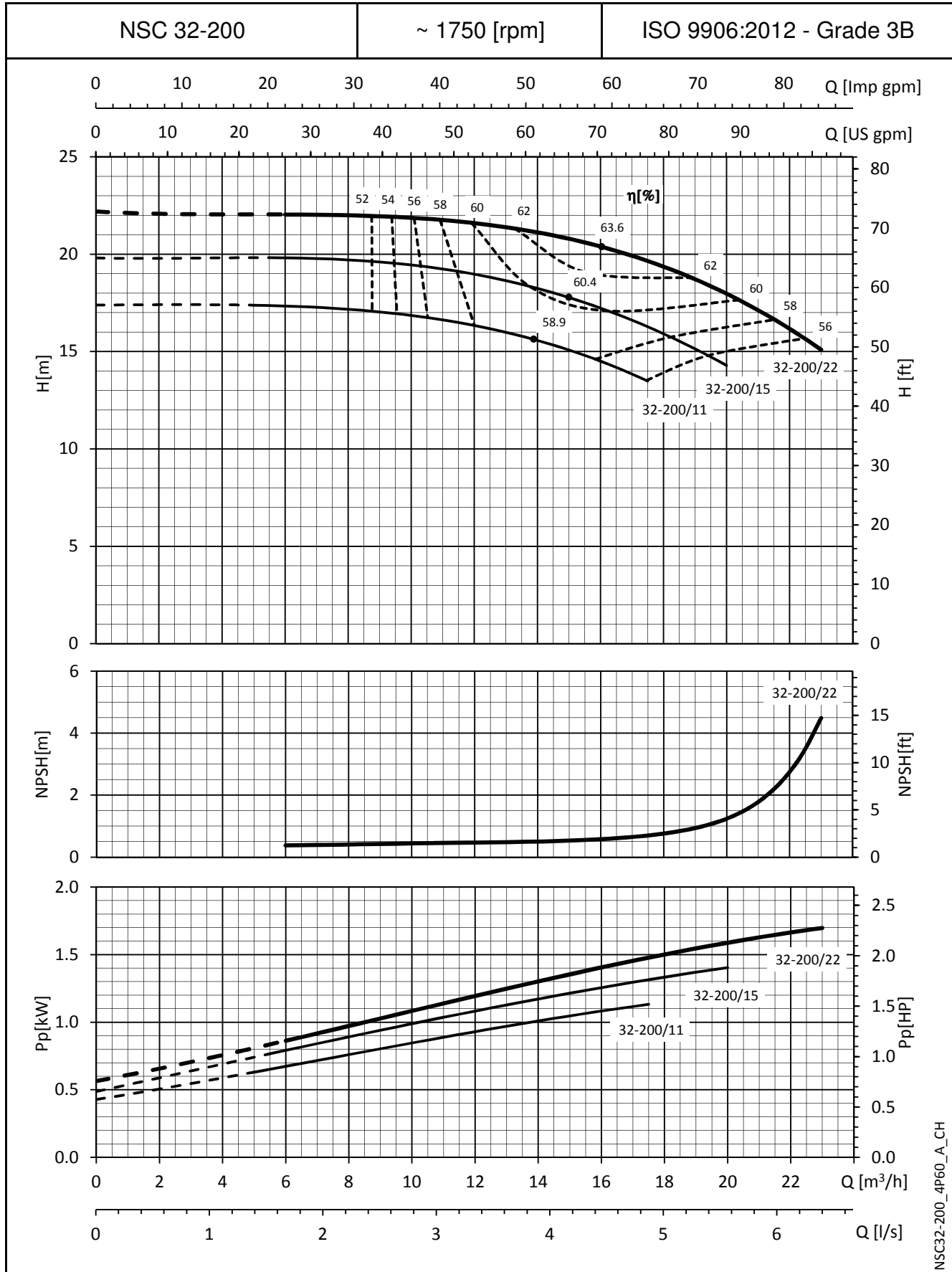
e-NSC SERIES
OPERATING CHARACTERISTICS AT 60 Hz, 4 POLES



NSC32-160_4P60_A_CH

The NPSH values are laboratory values; for practical use we suggest increasing these values by 0,5 m.
 These performances are valid for liquids with density $\rho = 1,0 \text{ Kg/dm}^3$ and kinematic viscosity $\nu = 1 \text{ mm}^2/\text{sec}$.

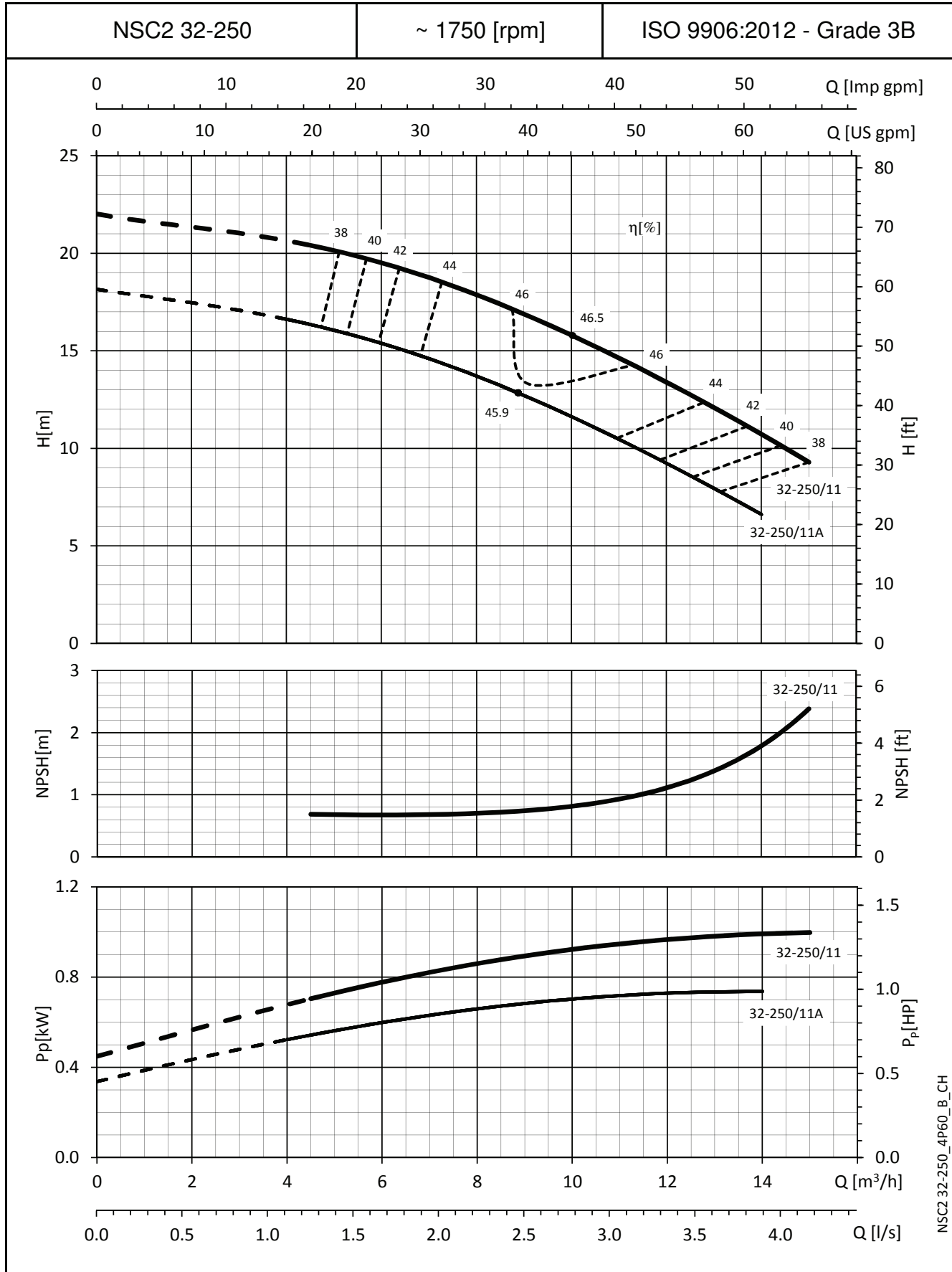
e-NSC SERIES
OPERATING CHARACTERISTICS AT 60 Hz, 4 POLES



NSC32-200_4P60_A_CH

The NPSH values are laboratory values; for practical use we suggest increasing these values by 0,5 m.
 These performances are valid for liquids with density $\rho = 1,0 \text{ Kg/dm}^3$ and kinematic viscosity $\nu = 1 \text{ mm}^2/\text{sec}$.

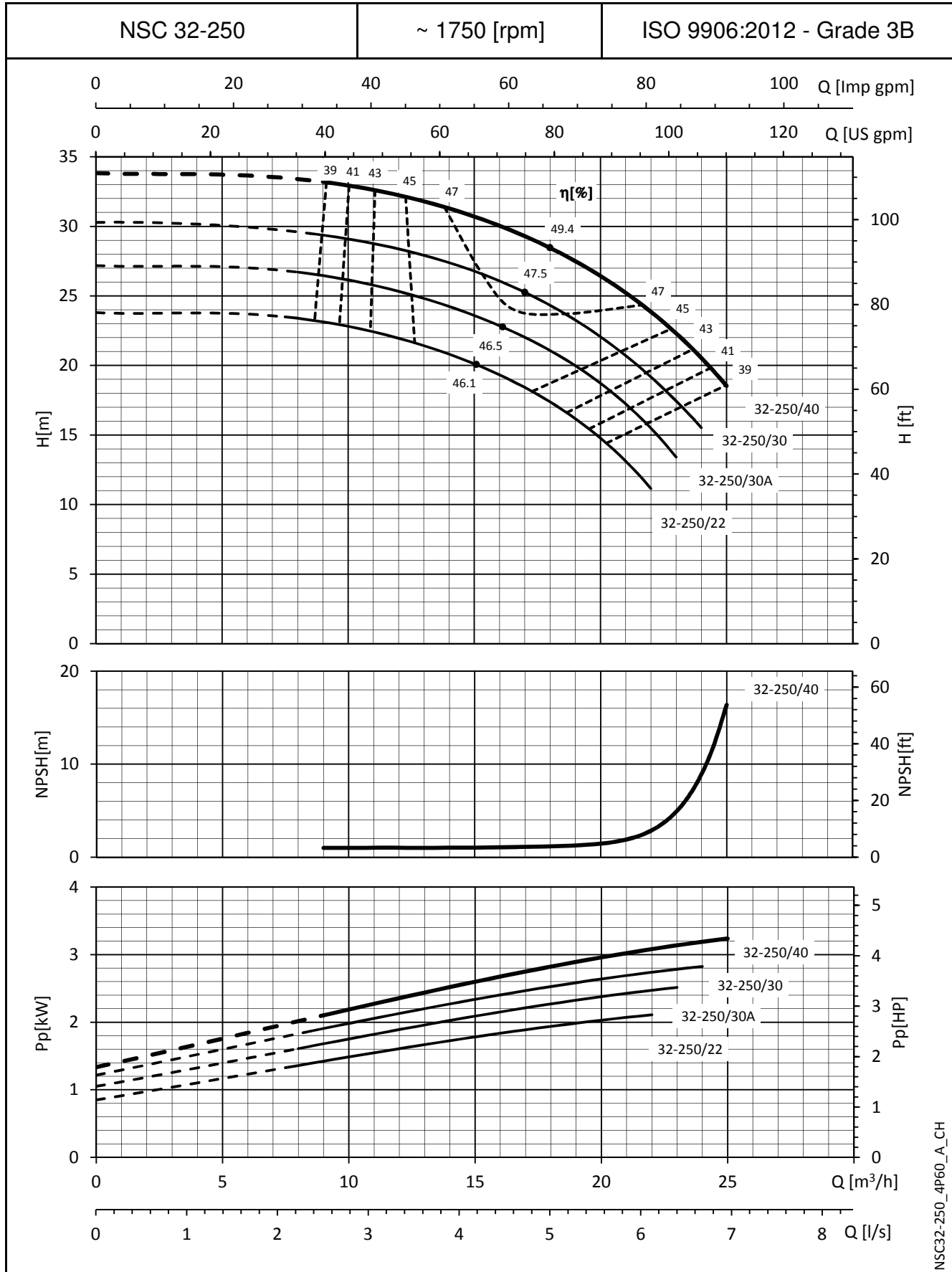
e-NSC SERIES
OPERATING CHARACTERISTICS AT 60 Hz, 4 POLES



NSC2 32-250_4P60_B_CH

The NPSH values are laboratory values; for practical use we suggest increasing these values by 0,5 m.
 These performances are valid for liquids with density $\rho = 1,0 \text{ Kg/dm}^3$ and kinematic viscosity $\nu = 1 \text{ mm}^2/\text{sec}$.

e-NSC SERIES
OPERATING CHARACTERISTICS AT 60 Hz, 4 POLES

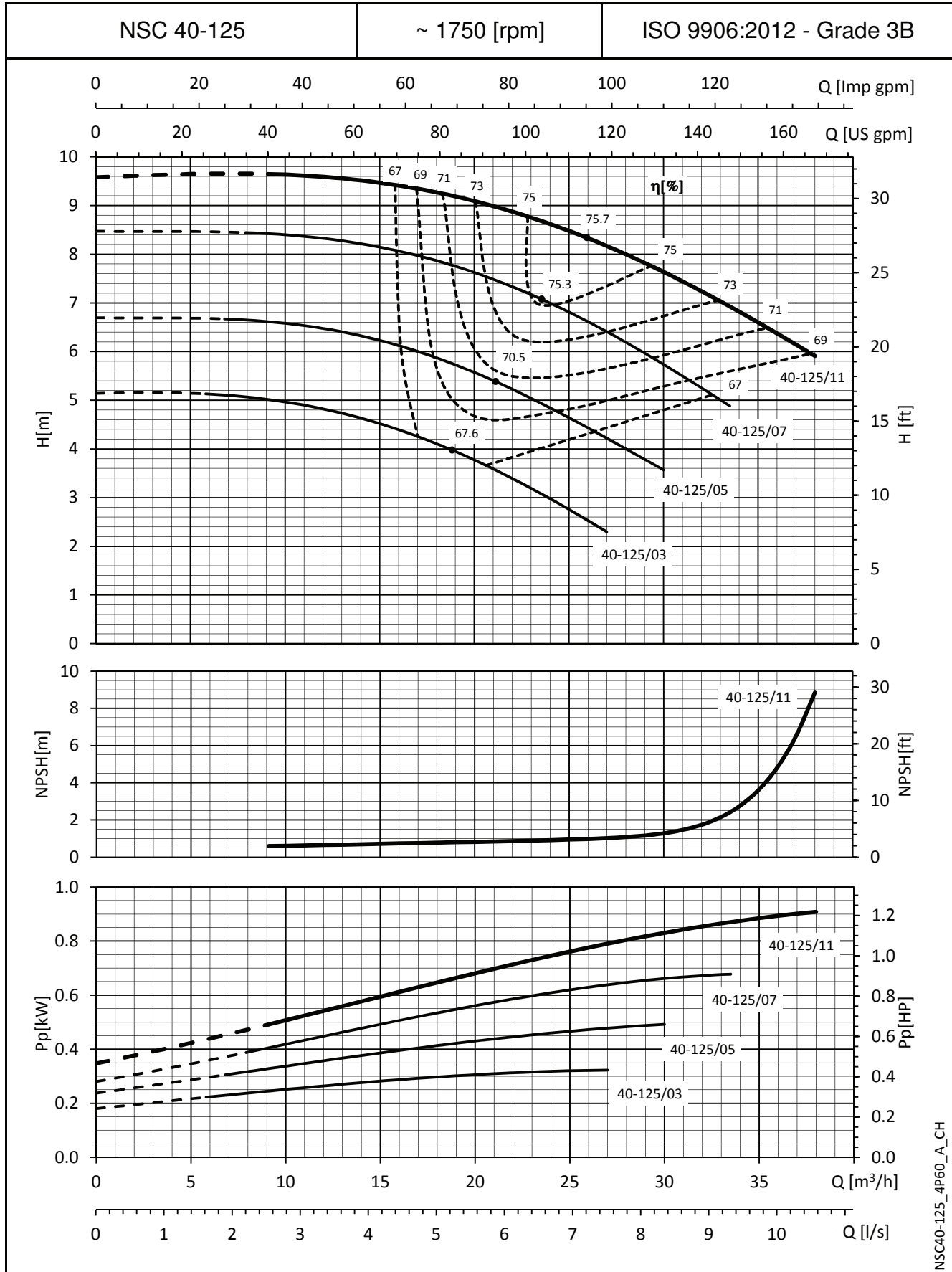


NSC32-250_4P60_A_CH

The NPSH values are laboratory values; for practical use we suggest increasing these values by 0,5 m.
 These performances are valid for liquids with density $\rho = 1,0 \text{ Kg/dm}^3$ and kinematic viscosity $\nu = 1 \text{ mm}^2/\text{sec}$.

e-NSC SERIES

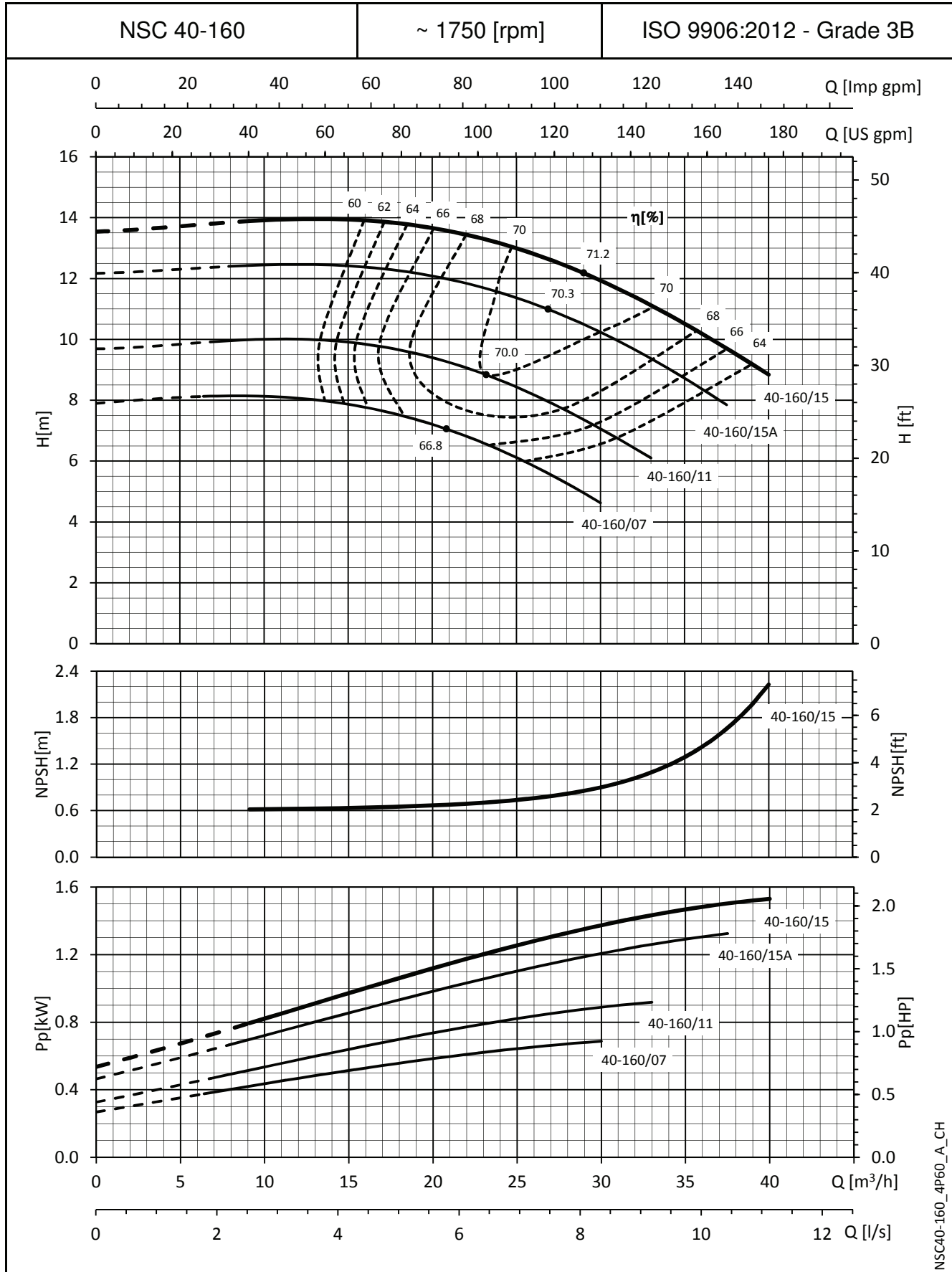
OPERATING CHARACTERISTICS AT 60 Hz, 4 POLES



NSC40-125_4P60_A_CH

The NPSH values are laboratory values; for practical use we suggest increasing these values by 0,5 m.
 These performances are valid for liquids with density $\rho = 1,0 \text{ Kg/dm}^3$ and kinematic viscosity $\nu = 1 \text{ mm}^2/\text{sec}$.

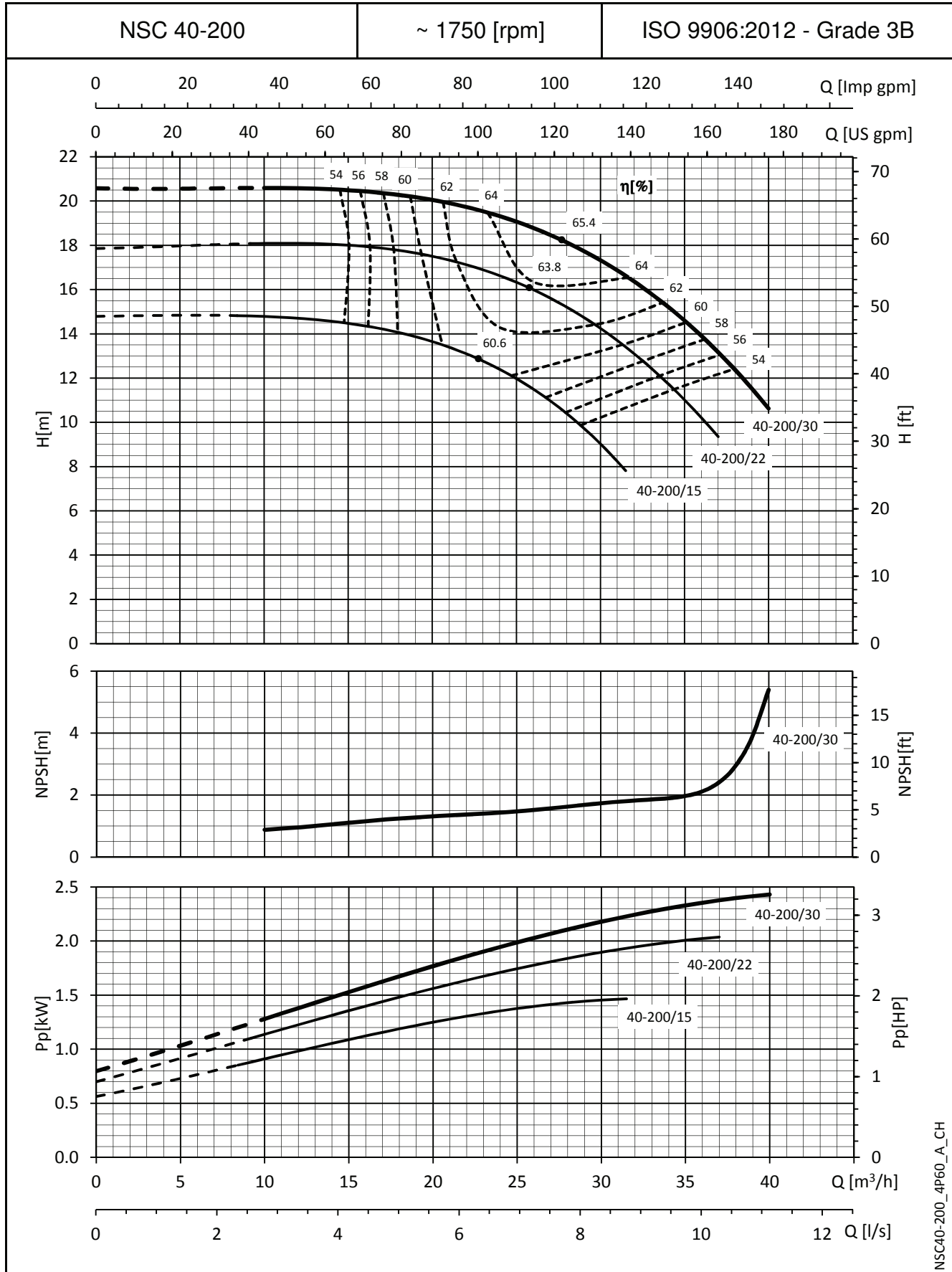
e-NSC SERIES
OPERATING CHARACTERISTICS AT 60 Hz, 4 POLES



NSC40-160_4P60_A_CH

The NPSH values are laboratory values; for practical use we suggest increasing these values by 0,5 m.
 These performances are valid for liquids with density $\rho = 1,0 \text{ Kg/dm}^3$ and kinematic viscosity $\nu = 1 \text{ mm}^2/\text{sec}$.

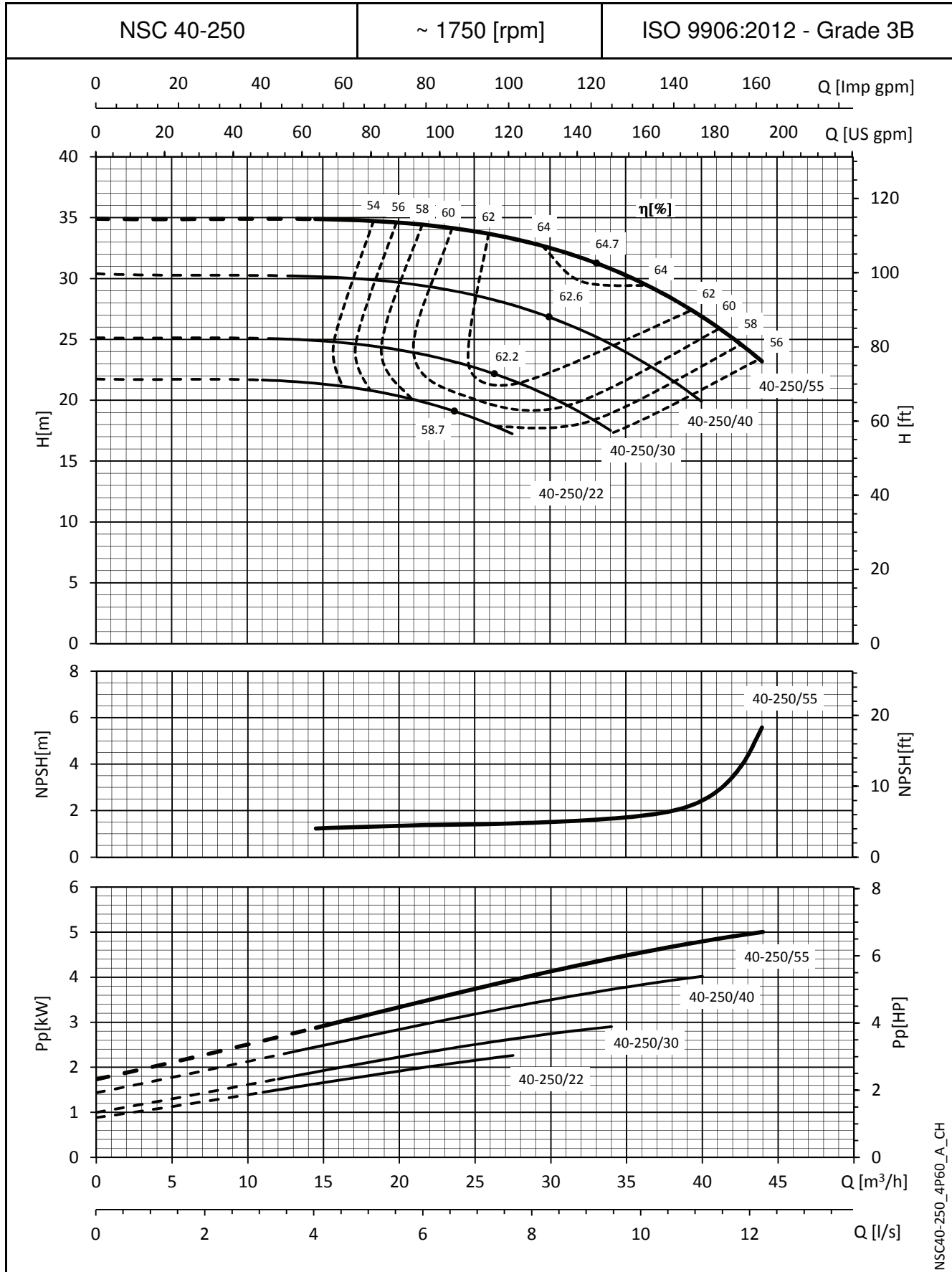
e-NSC SERIES
OPERATING CHARACTERISTICS AT 60 Hz, 4 POLES



NSC40-200_4P60_A_CH

The NPSH values are laboratory values; for practical use we suggest increasing these values by 0,5 m.
 These performances are valid for liquids with density $\rho = 1,0 \text{ Kg/dm}^3$ and kinematic viscosity $\nu = 1 \text{ mm}^2/\text{sec}$.

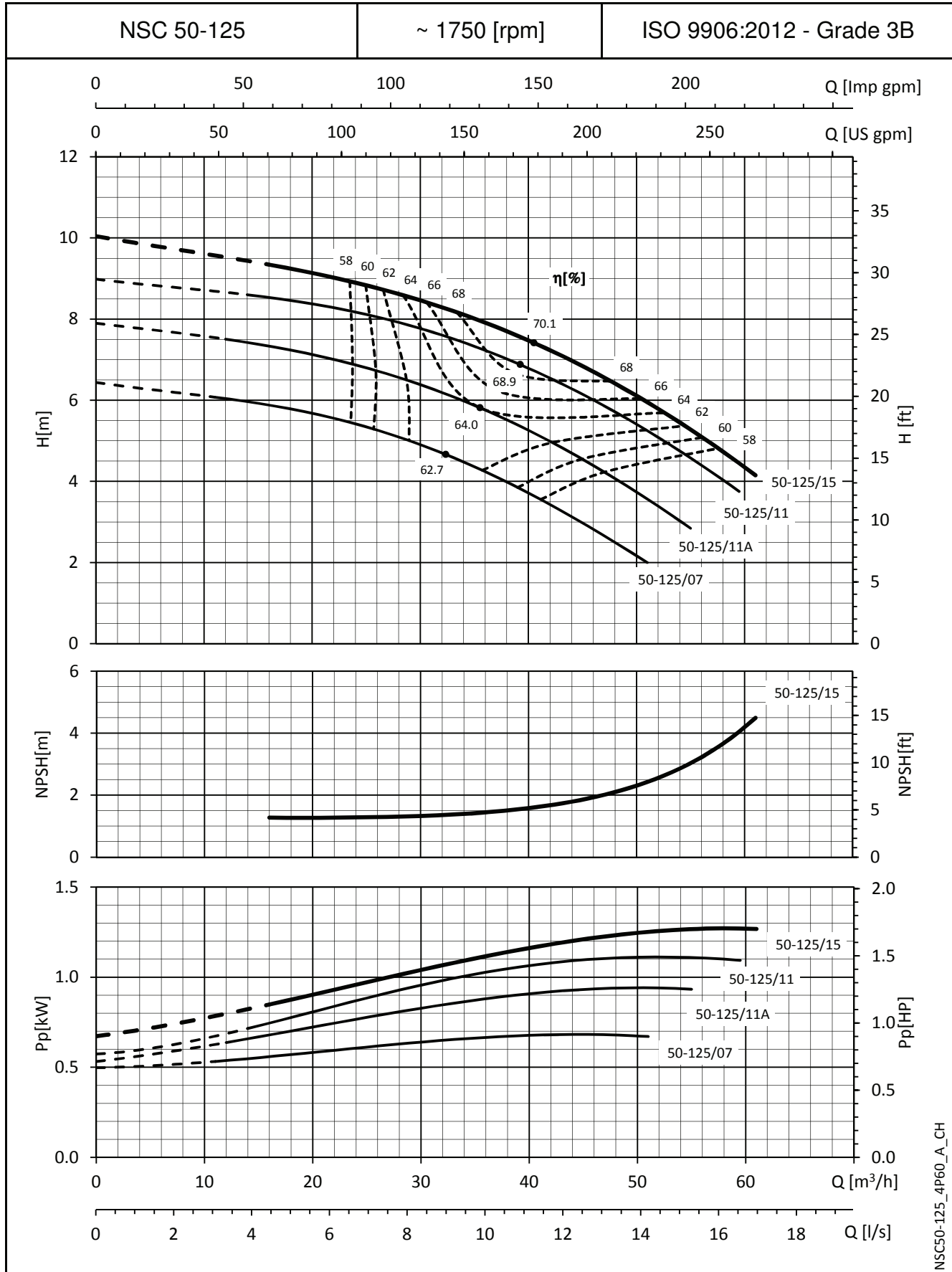
e-NSC SERIES
OPERATING CHARACTERISTICS AT 60 Hz, 4 POLES



NSC40-250_4P60_A_CH

The NPSH values are laboratory values; for practical use we suggest increasing these values by 0,5 m.
 These performances are valid for liquids with density $\rho = 1,0 \text{ Kg/dm}^3$ and kinematic viscosity $\nu = 1 \text{ mm}^2/\text{sec}$.

e-NSC SERIES
OPERATING CHARACTERISTICS AT 60 Hz, 4 POLES

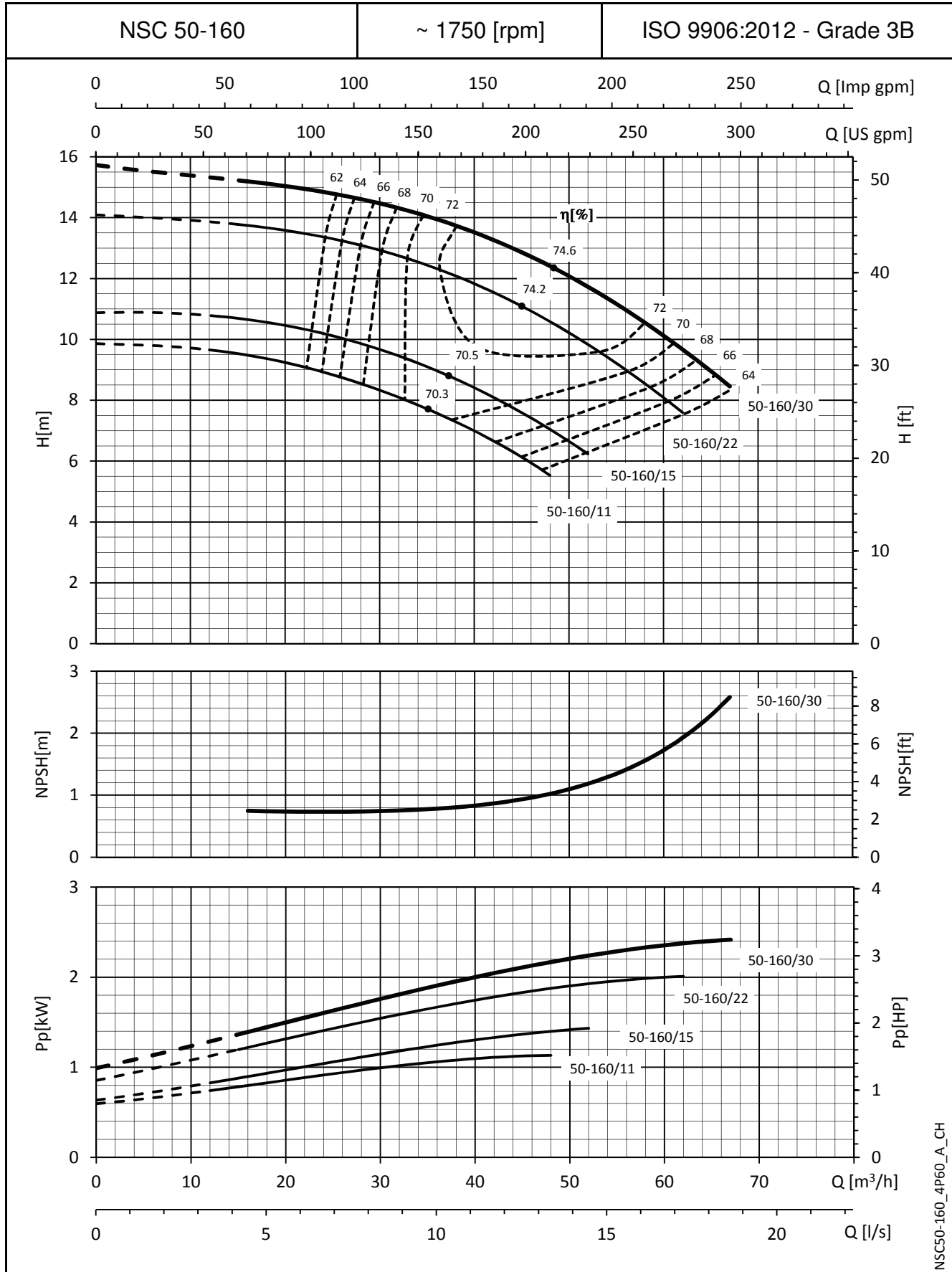


NSC50-125_4P60_A_CH

The NPSH values are laboratory values; for practical use we suggest increasing these values by 0,5 m.
 These performances are valid for liquids with density $\rho = 1,0 \text{ Kg/dm}^3$ and kinematic viscosity $\nu = 1 \text{ mm}^2/\text{sec}$.

e-NSC SERIES

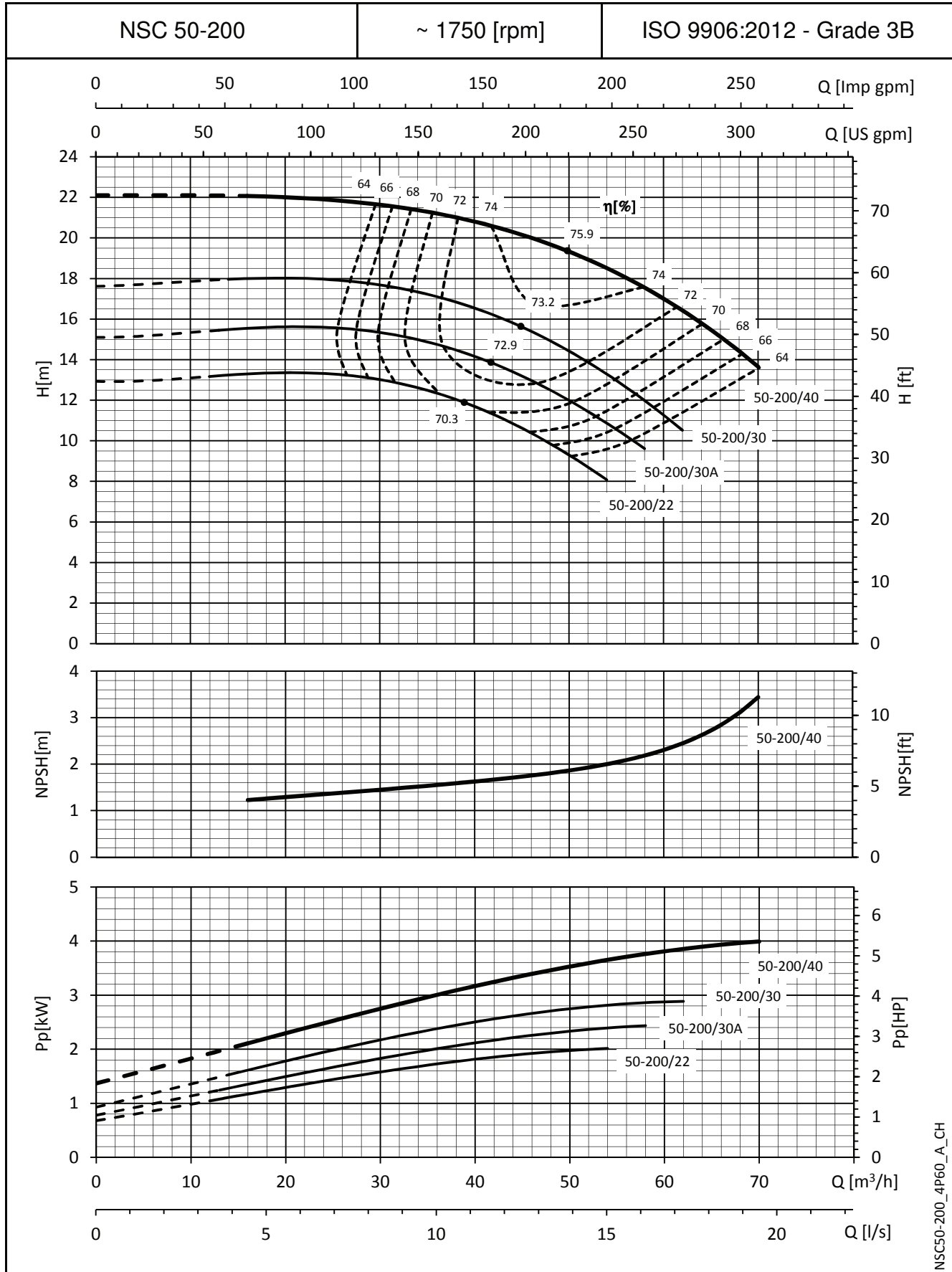
OPERATING CHARACTERISTICS AT 60 Hz, 4 POLES



NSC50-160_4P60_A_CH

The NPSH values are laboratory values; for practical use we suggest increasing these values by 0,5 m.
 These performances are valid for liquids with density $\rho = 1,0 \text{ Kg/dm}^3$ and kinematic viscosity $\nu = 1 \text{ mm}^2/\text{sec}$.

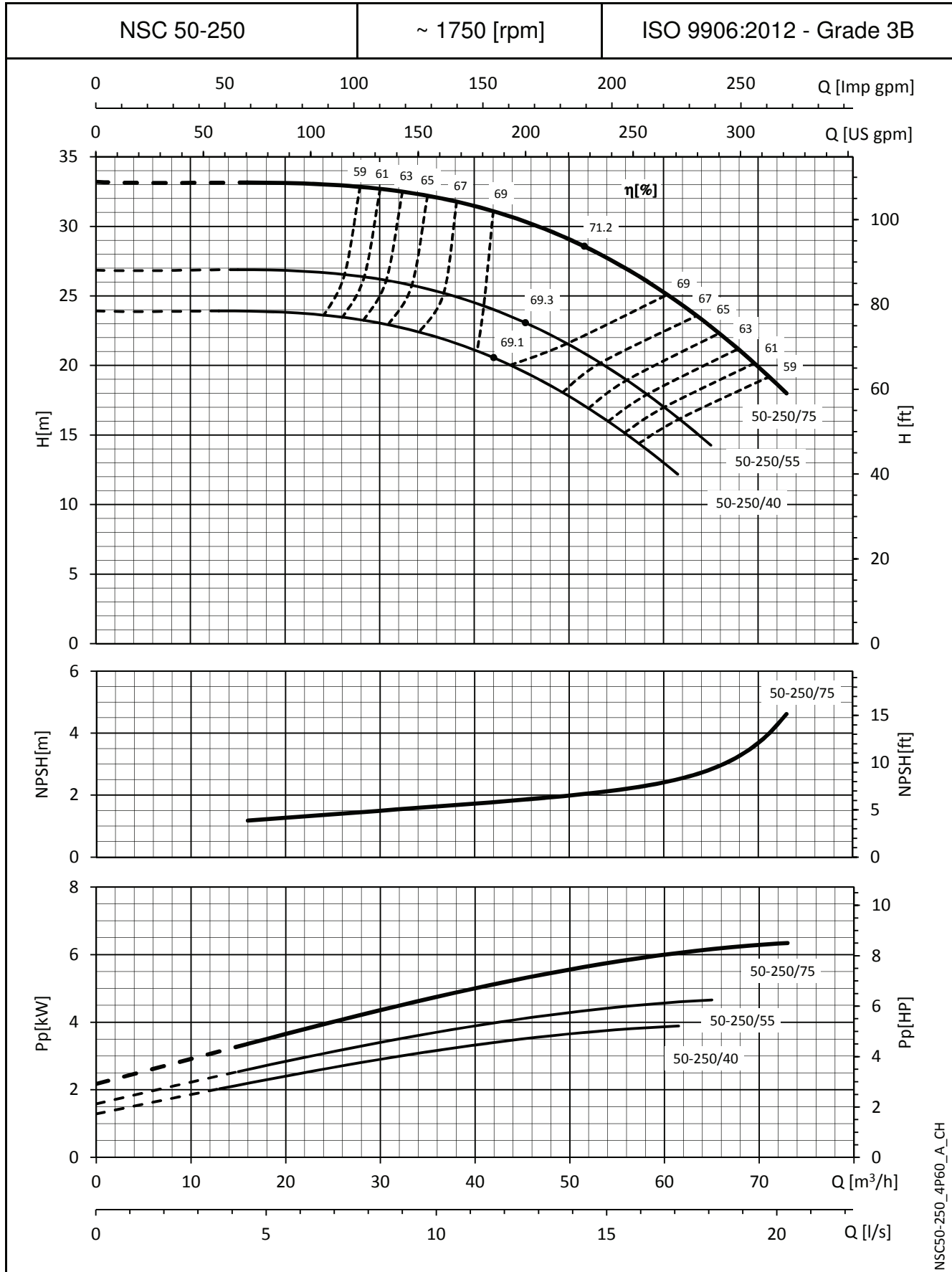
e-NSC SERIES
OPERATING CHARACTERISTICS AT 60 Hz, 4 POLES



NSC50-200_4P60_A_CH

The NPSH values are laboratory values; for practical use we suggest increasing these values by 0,5 m.
These performances are valid for liquids with density $\rho = 1,0 \text{ Kg/dm}^3$ and kinematic viscosity $\nu = 1 \text{ mm}^2/\text{sec}$.

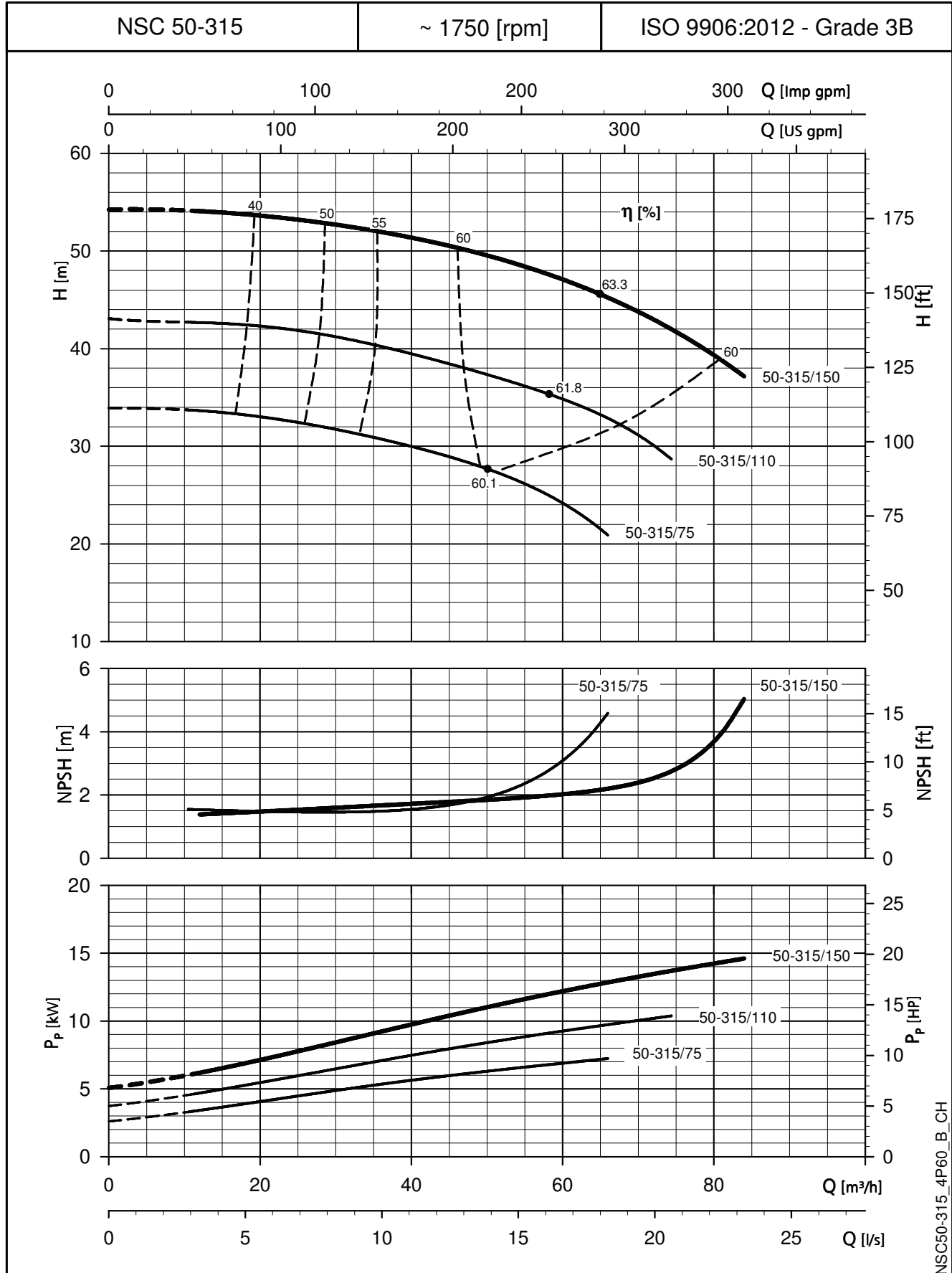
e-NSC SERIES
OPERATING CHARACTERISTICS AT 60 Hz, 4 POLES



NSC50-250_4P60_A_CH

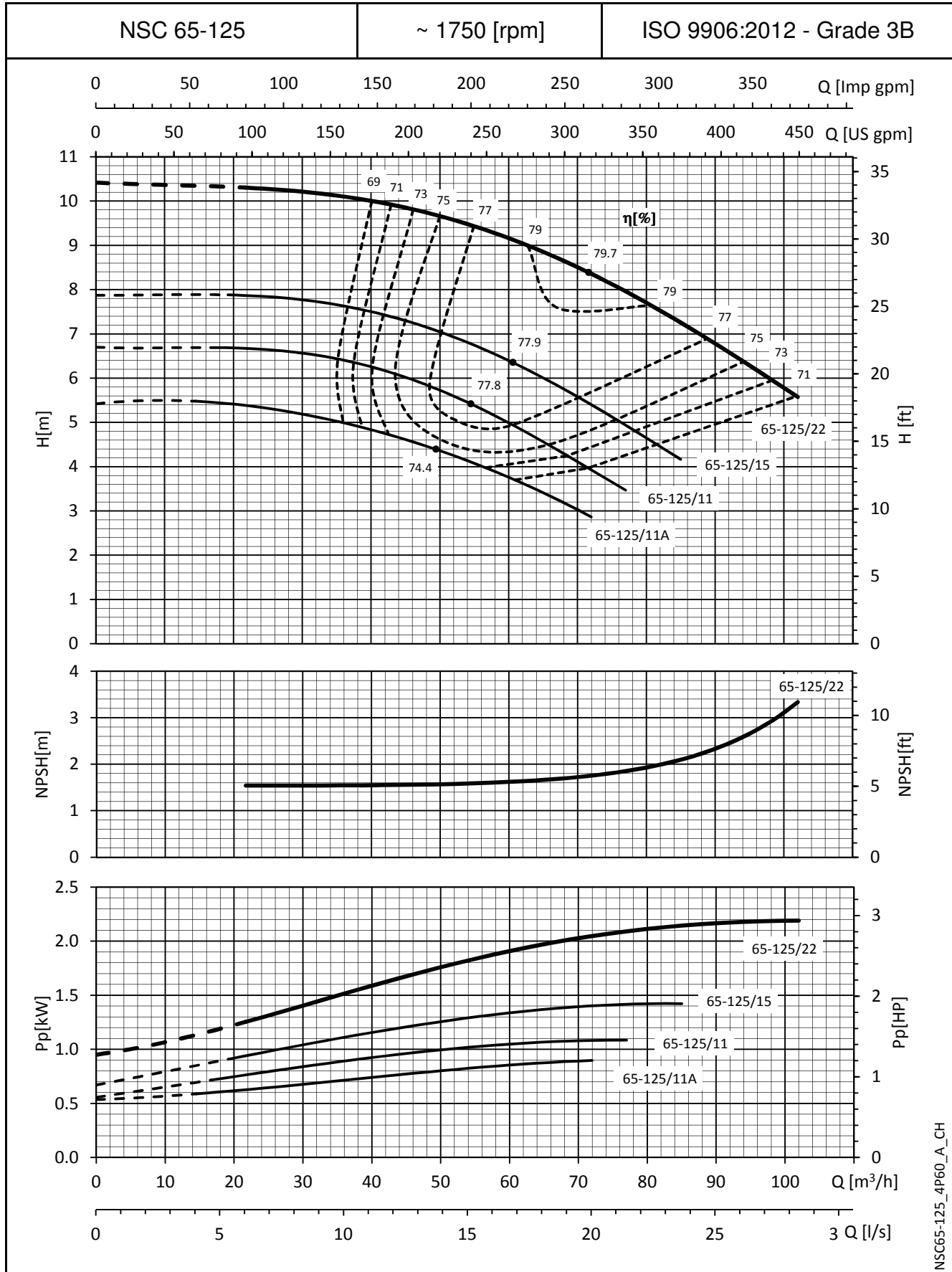
The NPSH values are laboratory values; for practical use we suggest increasing these values by 0,5 m.
 These performances are valid for liquids with density $\rho = 1,0 \text{ Kg/dm}^3$ and kinematic viscosity $\nu = 1 \text{ mm}^2/\text{sec}$.

e-NSC SERIES
OPERATING CHARACTERISTICS AT 60 Hz, 4 POLES



The NPSH values are laboratory values; for practical use we suggest increasing these values by 0,5 m.
 These performances are valid for liquids with density $\rho = 1,0 \text{ Kg/dm}^3$ and kinematic viscosity $\nu = 1 \text{ mm}^2/\text{sec}$.

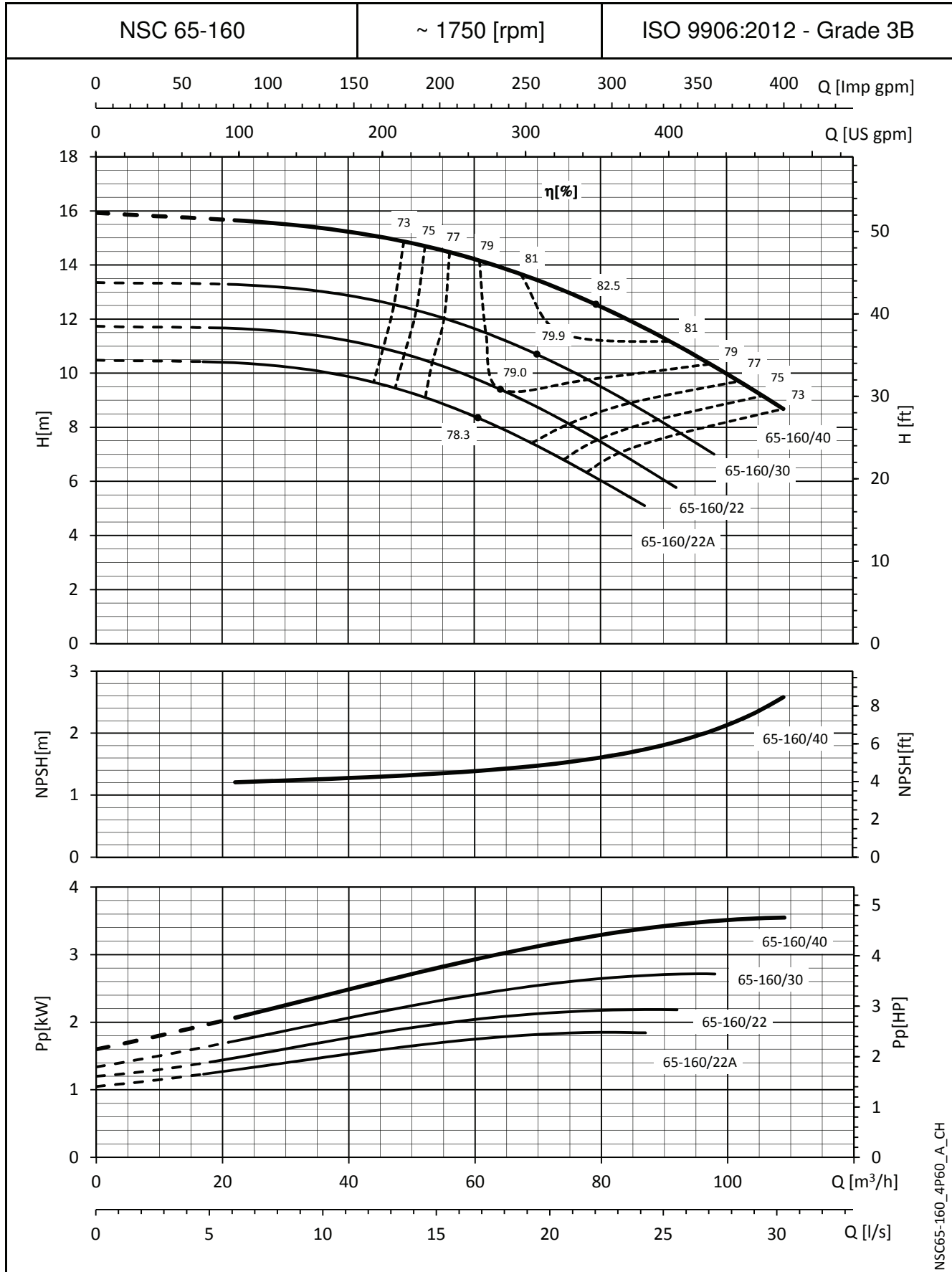
e-NSC SERIES
OPERATING CHARACTERISTICS AT 60 Hz, 4 POLES



NSC65-125_4P60_A_CH

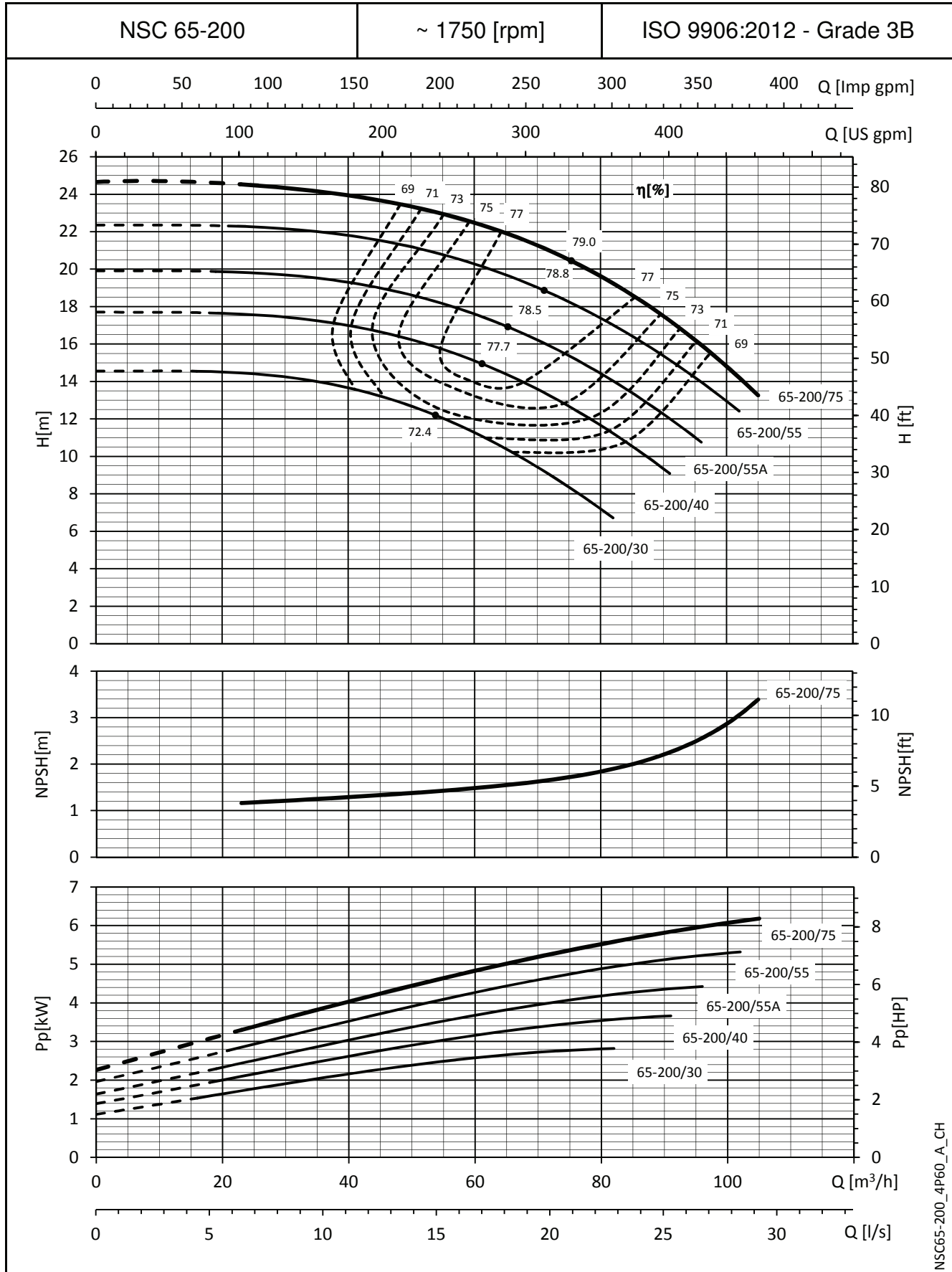
The NPSH values are laboratory values; for practical use we suggest increasing these values by 0,5 m.
 These performances are valid for liquids with density $\rho = 1,0 \text{ Kg/dm}^3$ and kinematic viscosity $\nu = 1 \text{ mm}^2/\text{sec}$.

e-NSC SERIES
OPERATING CHARACTERISTICS AT 60 Hz, 4 POLES



The NPSH values are laboratory values; for practical use we suggest increasing these values by 0,5 m.
 These performances are valid for liquids with density $\rho = 1,0 \text{ Kg/dm}^3$ and kinematic viscosity $\nu = 1 \text{ mm}^2/\text{sec}$.

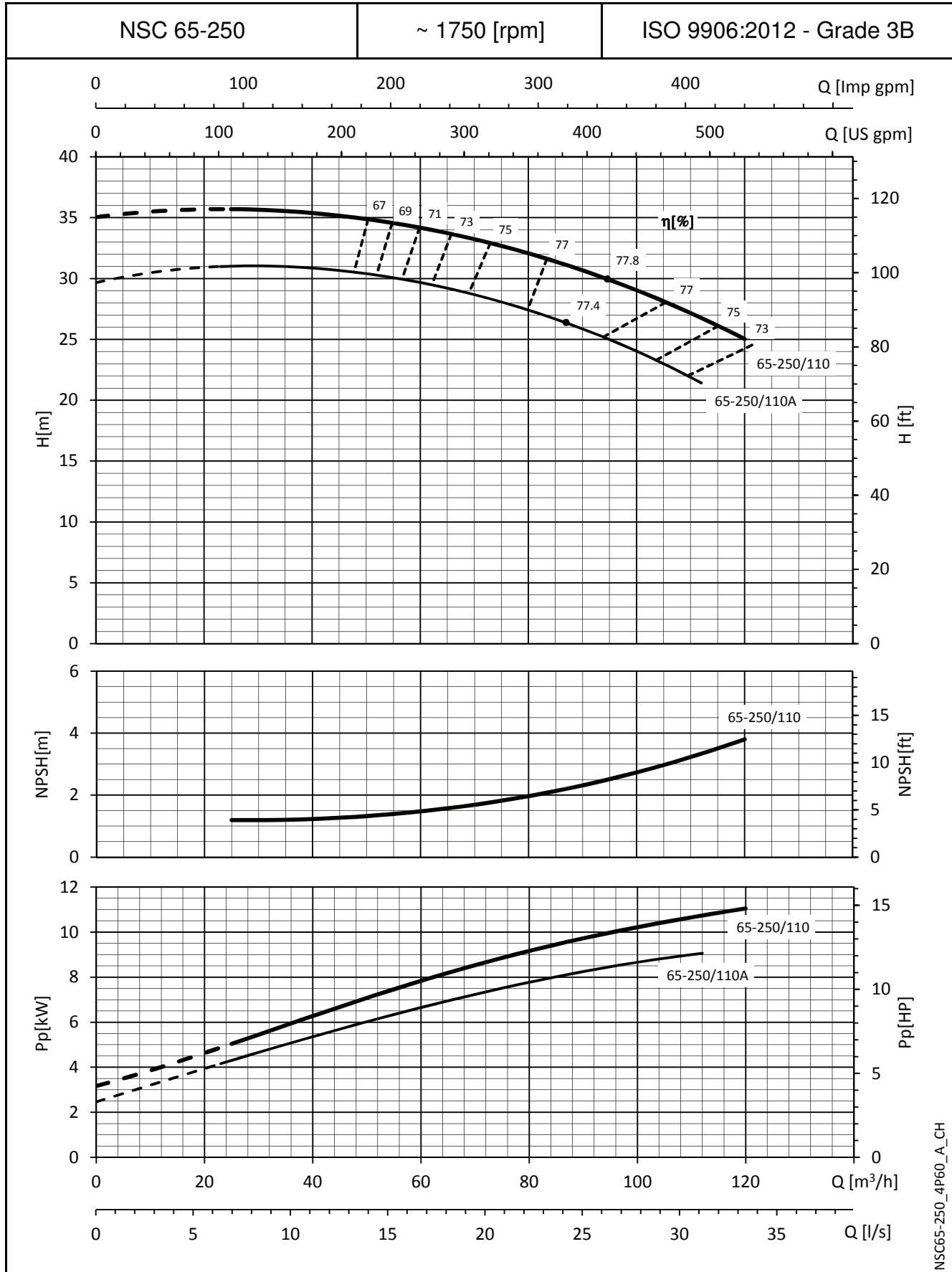
e-NSC SERIES
OPERATING CHARACTERISTICS AT 60 Hz, 4 POLES



NSC65-200_4P60_A_CH

The NPSH values are laboratory values; for practical use we suggest increasing these values by 0,5 m.
 These performances are valid for liquids with density $\rho = 1,0 \text{ Kg/dm}^3$ and kinematic viscosity $\nu = 1 \text{ mm}^2/\text{sec}$.

e-NSC SERIES
OPERATING CHARACTERISTICS AT 60 Hz, 4 POLES

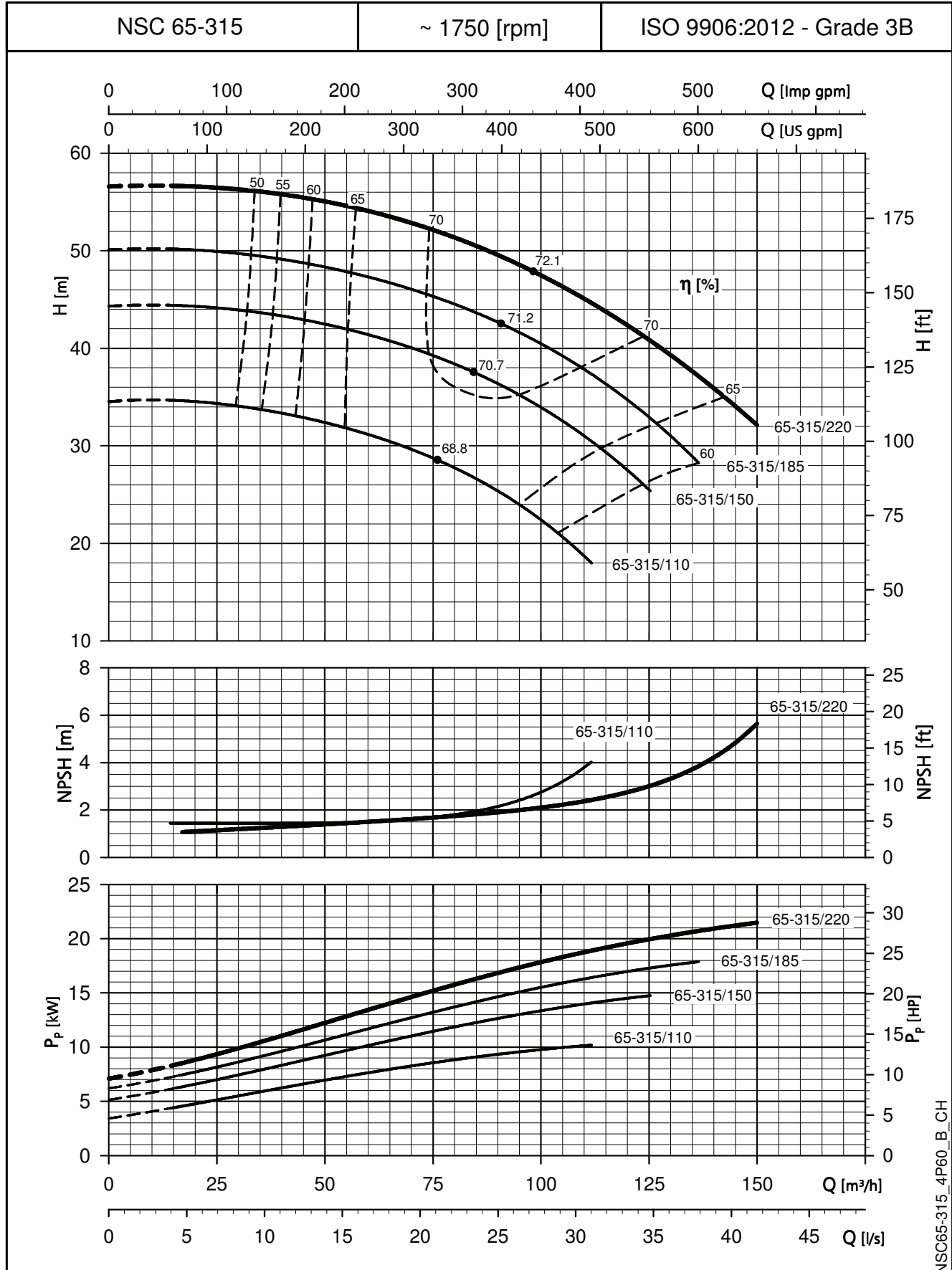


NSC65-250_4P60_A_CH

The NPSH values are laboratory values; for practical use we suggest increasing these values by 0,5 m.
 These performances are valid for liquids with density $\rho = 1,0 \text{ Kg/dm}^3$ and kinematic viscosity $\nu = 1 \text{ mm}^2/\text{sec}$.

e-NSC SERIES

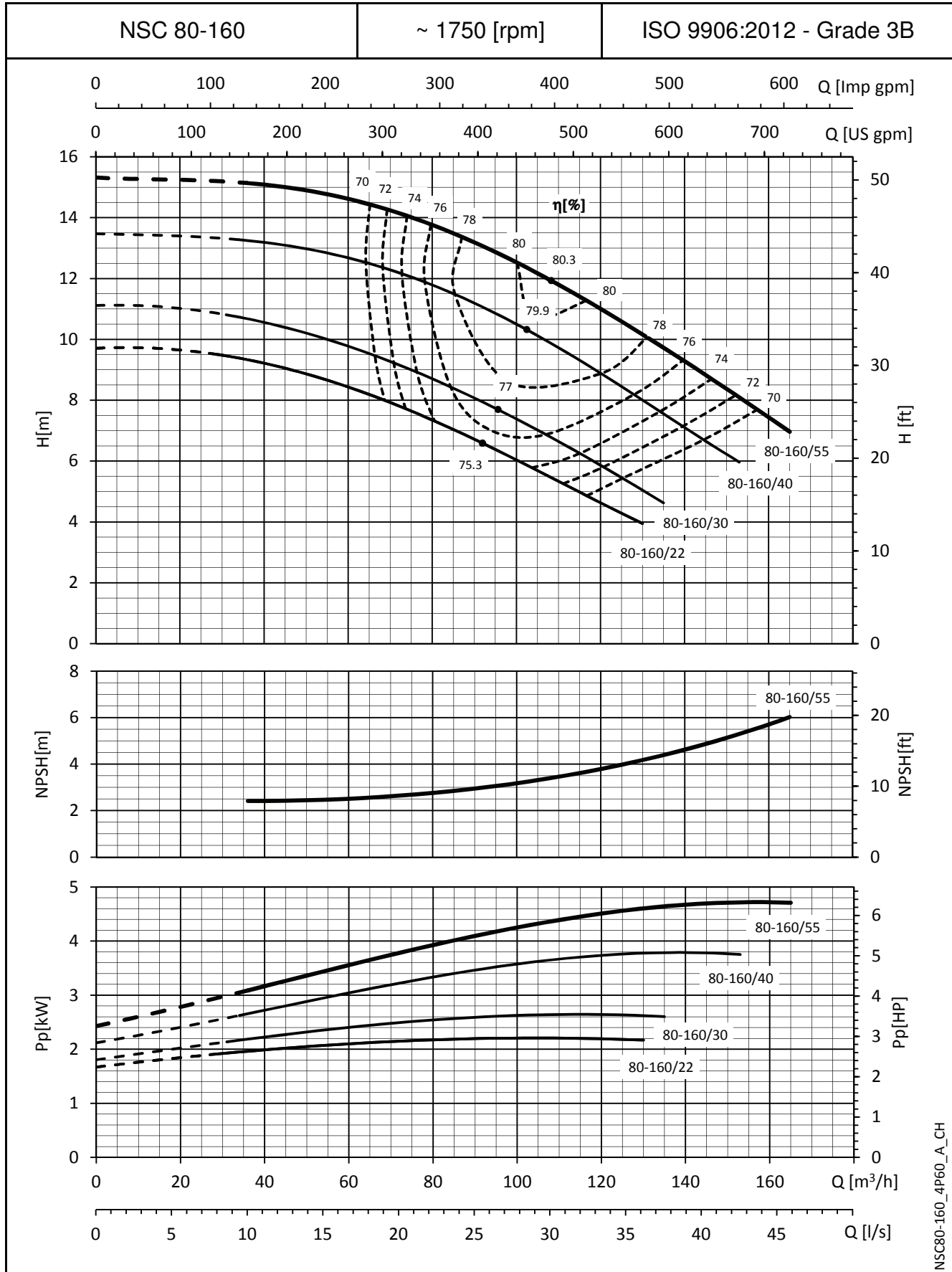
OPERATING CHARACTERISTICS AT 60 Hz, 4 POLES



NSC65-315_4P60_B_CH

The NPSH values are laboratory values; for practical use we suggest increasing these values by 0,5 m.
 These performances are valid for liquids with density $\rho = 1,0 \text{ Kg/dm}^3$ and kinematic viscosity $\nu = 1 \text{ mm}^2/\text{sec}$.

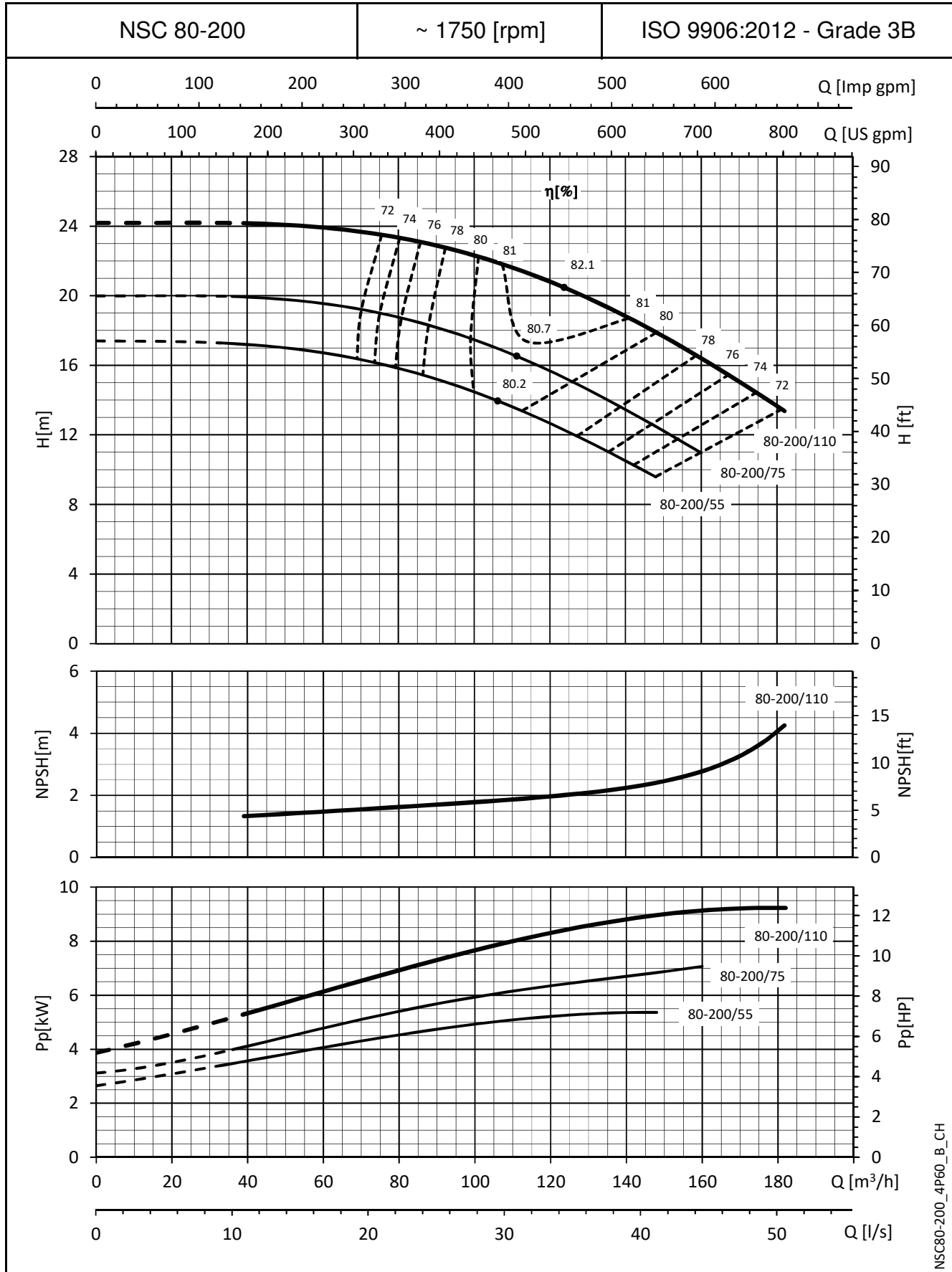
e-NSC SERIES
OPERATING CHARACTERISTICS AT 60 Hz, 4 POLES



NSC80-160_4P60_A_CH

The NPSH values are laboratory values; for practical use we suggest increasing these values by 0,5 m.
 These performances are valid for liquids with density $\rho = 1,0 \text{ Kg/dm}^3$ and kinematic viscosity $\nu = 1 \text{ mm}^2/\text{sec}$.

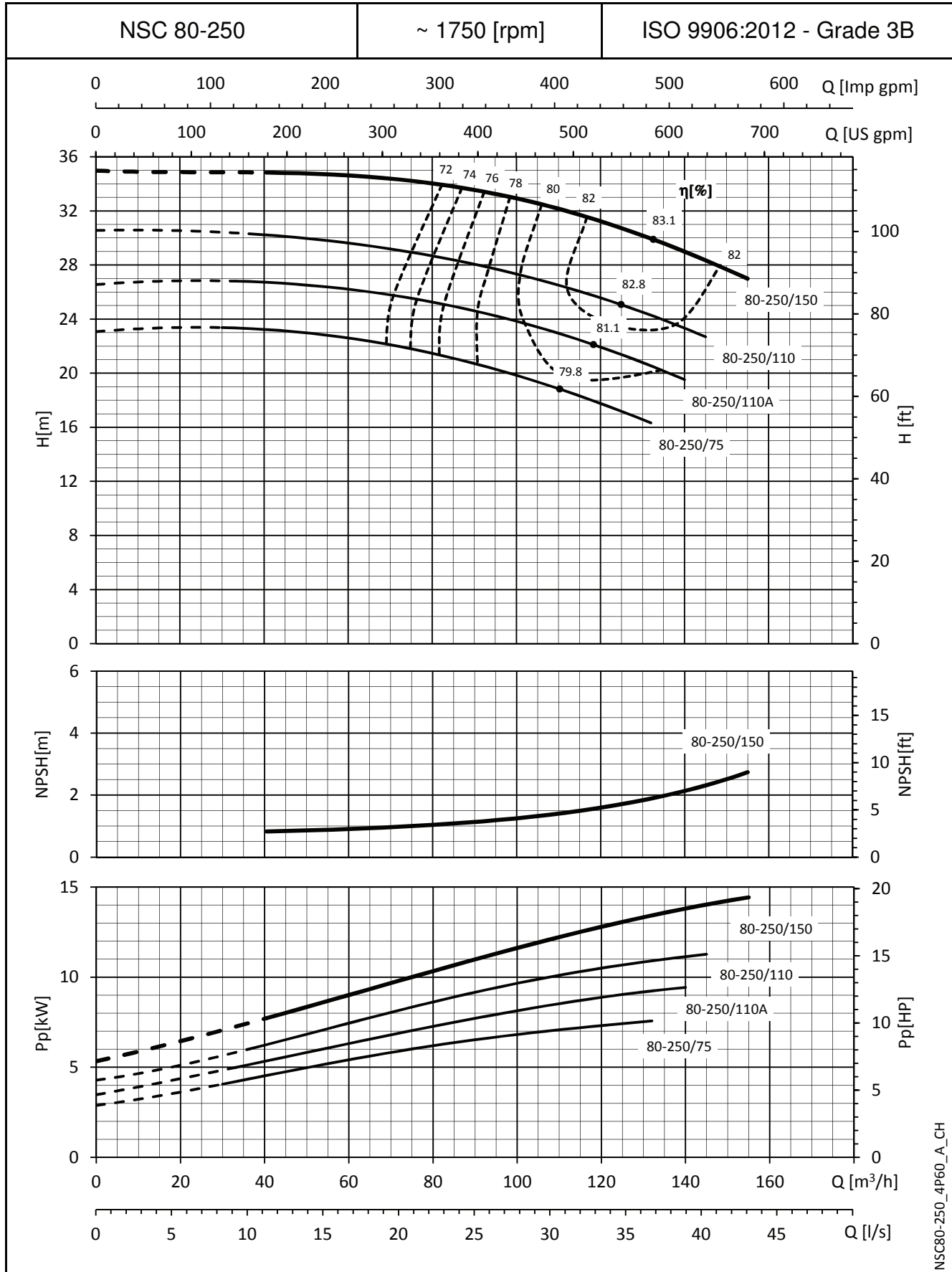
e-NSC SERIES
OPERATING CHARACTERISTICS AT 60 Hz, 4 POLES



NSC80-200_4P60_B_CH

The NPSH values are laboratory values; for practical use we suggest increasing these values by 0,5 m.
 These performances are valid for liquids with density $\rho = 1,0 \text{ Kg/dm}^3$ and kinematic viscosity $\nu = 1 \text{ mm}^2/\text{sec}$.

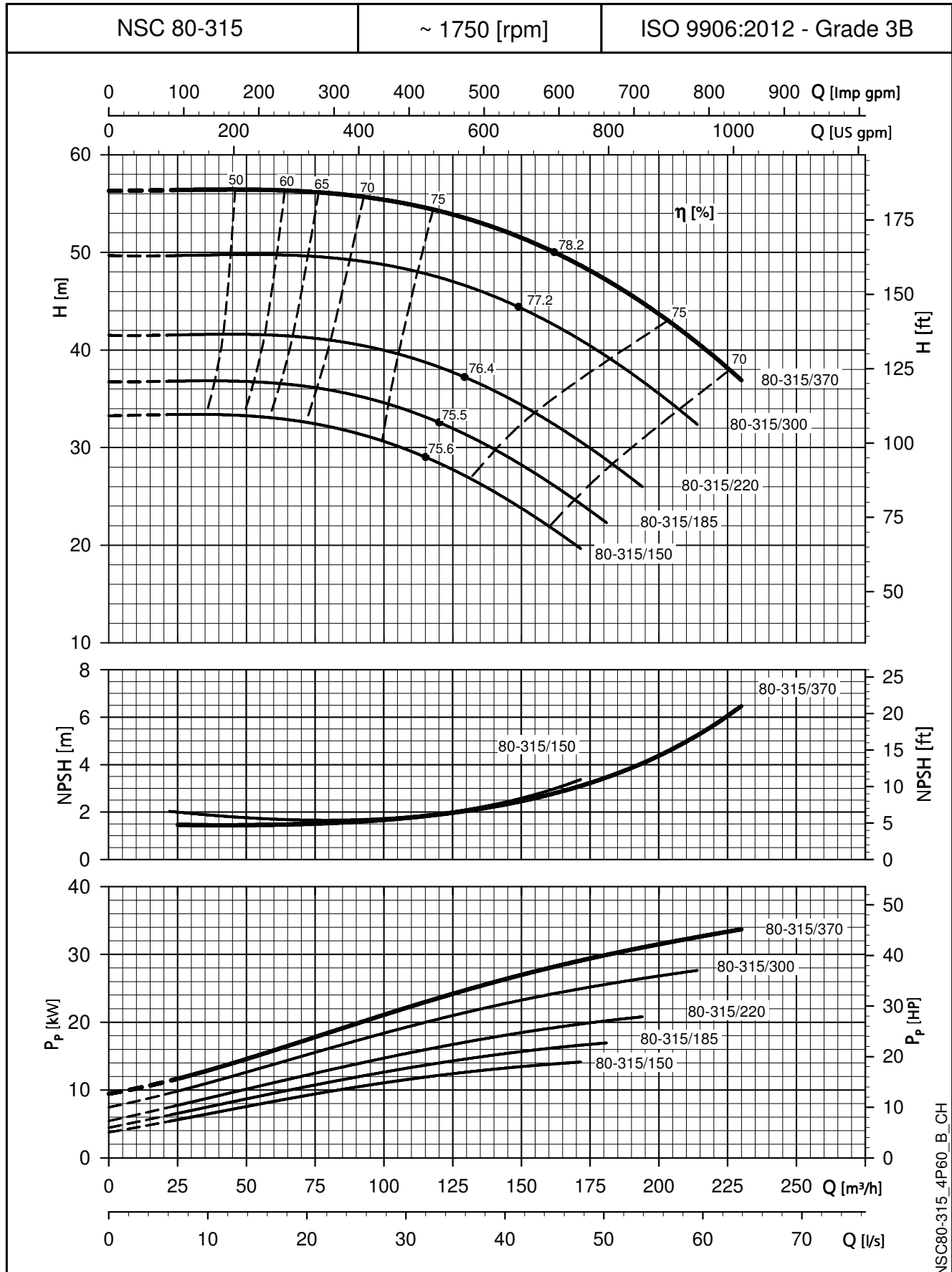
e-NSC SERIES
OPERATING CHARACTERISTICS AT 60 Hz, 4 POLES



NSC80-250_4P60_A_CH

The NPSH values are laboratory values; for practical use we suggest increasing these values by 0,5 m.
 These performances are valid for liquids with density $\rho = 1,0 \text{ Kg/dm}^3$ and kinematic viscosity $\nu = 1 \text{ mm}^2/\text{sec}$.

e-NSC SERIES
OPERATING CHARACTERISTICS AT 60 Hz, 4 POLES

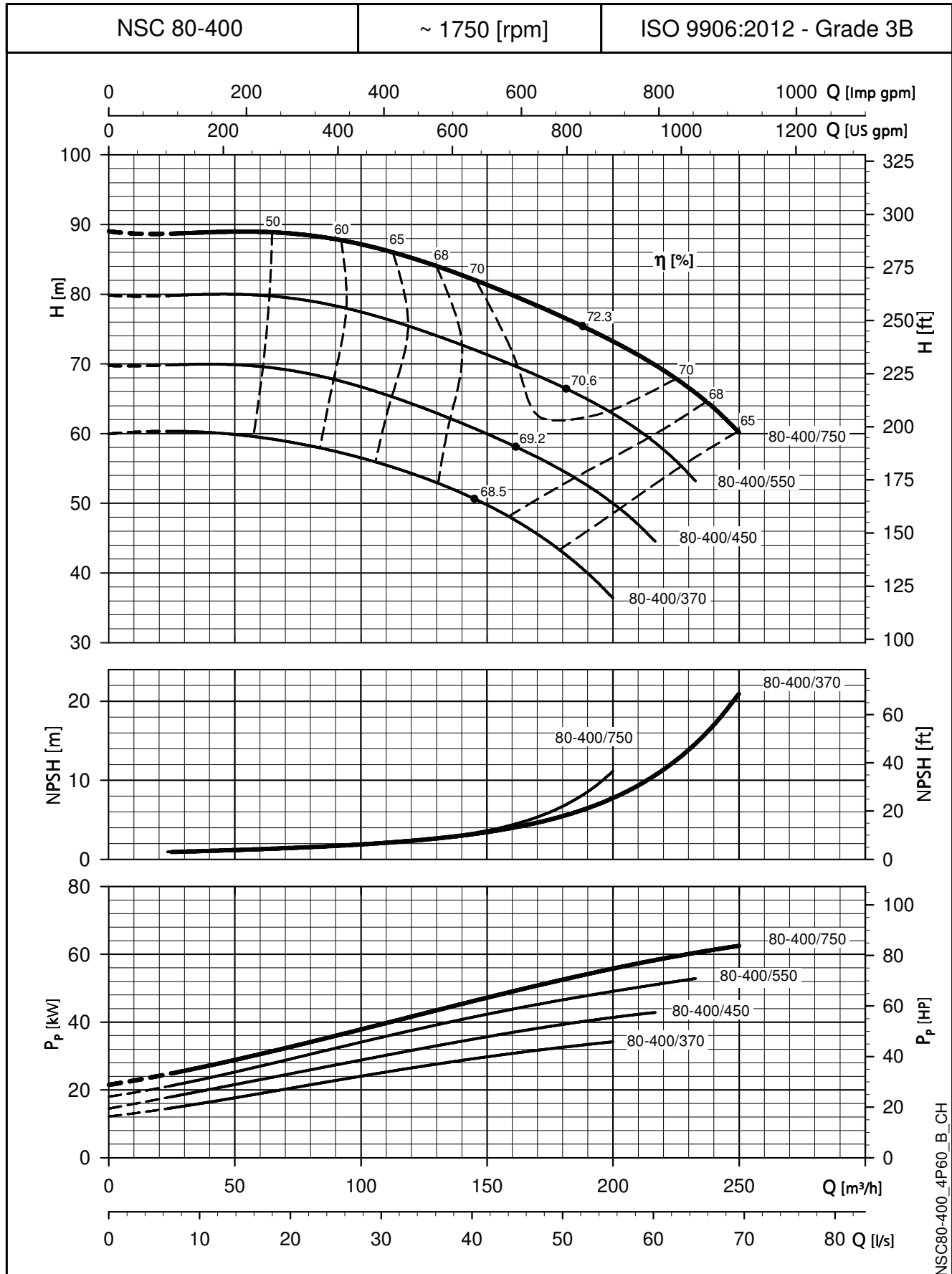


NSC80-315_4P60_B_CH

The NPSH values are laboratory values; for practical use we suggest increasing these values by 0,5 m.
 These performances are valid for liquids with density $\rho = 1,0 \text{ Kg/dm}^3$ and kinematic viscosity $\nu = 1 \text{ mm}^2/\text{sec}$.

e-NSC SERIES

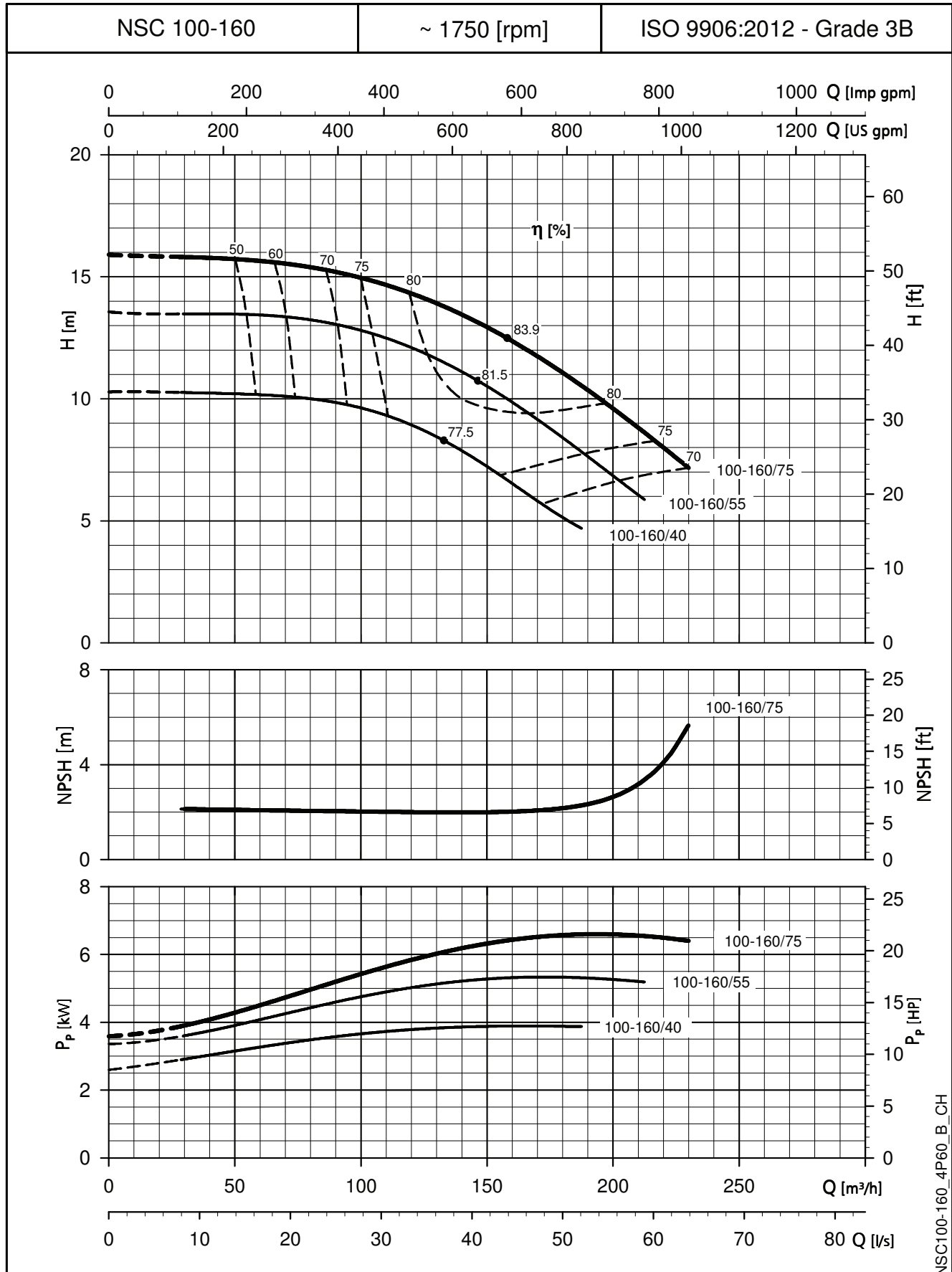
OPERATING CHARACTERISTICS AT 60 Hz, 4 POLES



The NPSH values are laboratory values; for practical use we suggest increasing these values by 0,5 m.
 These performances are valid for liquids with density $\rho = 1,0 \text{ Kg/dm}^3$ and kinematic viscosity $\nu = 1 \text{ mm}^2/\text{sec}$.

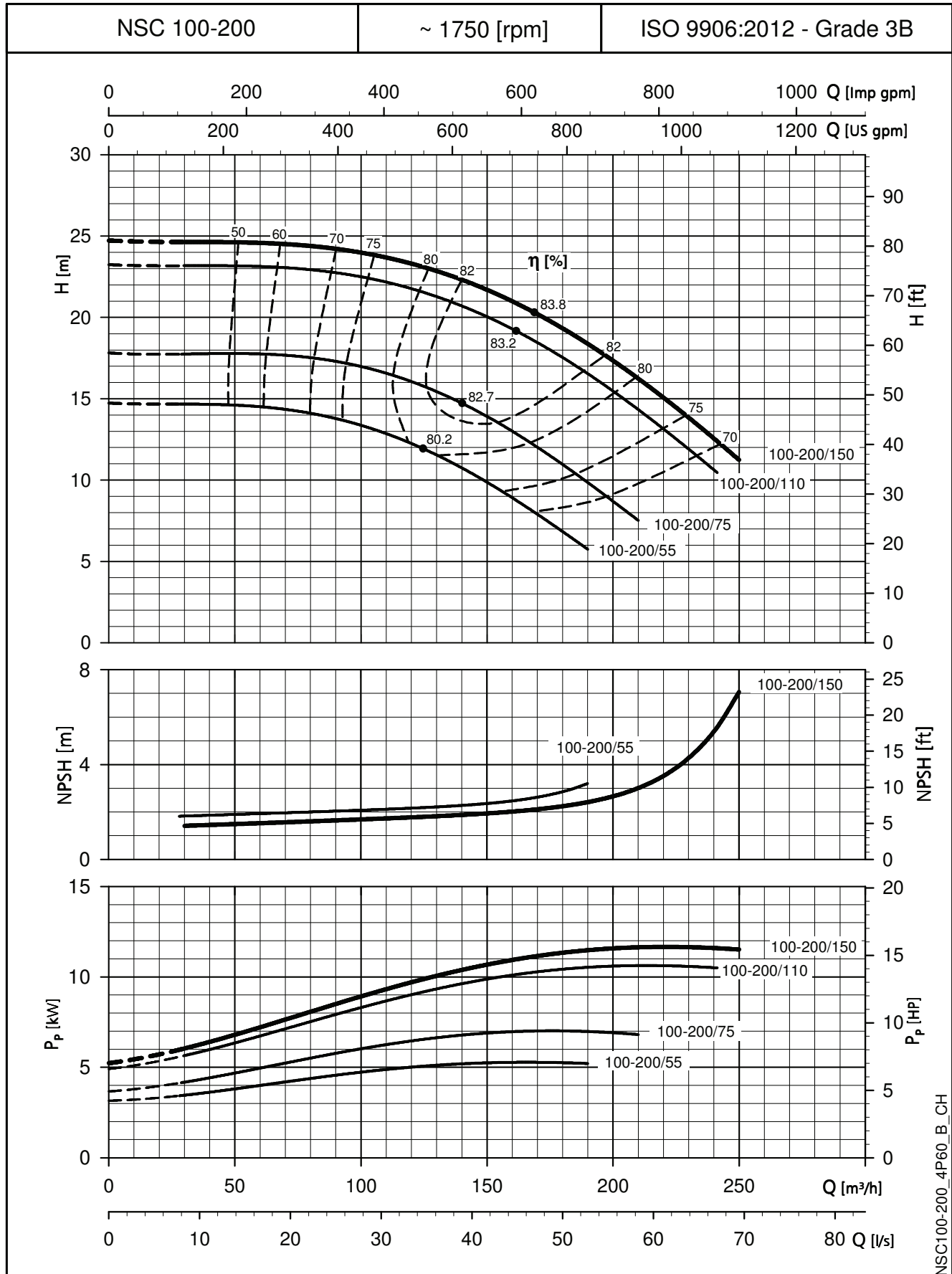
e-NSC SERIES

OPERATING CHARACTERISTICS AT 60 Hz, 4 POLES



The NPSH values are laboratory values; for practical use we suggest increasing these values by 0,5 m.
 These performances are valid for liquids with density $\rho = 1,0 \text{ Kg/dm}^3$ and kinematic viscosity $\nu = 1 \text{ mm}^2/\text{sec}$.

e-NSC SERIES
OPERATING CHARACTERISTICS AT 60 Hz, 4 POLES

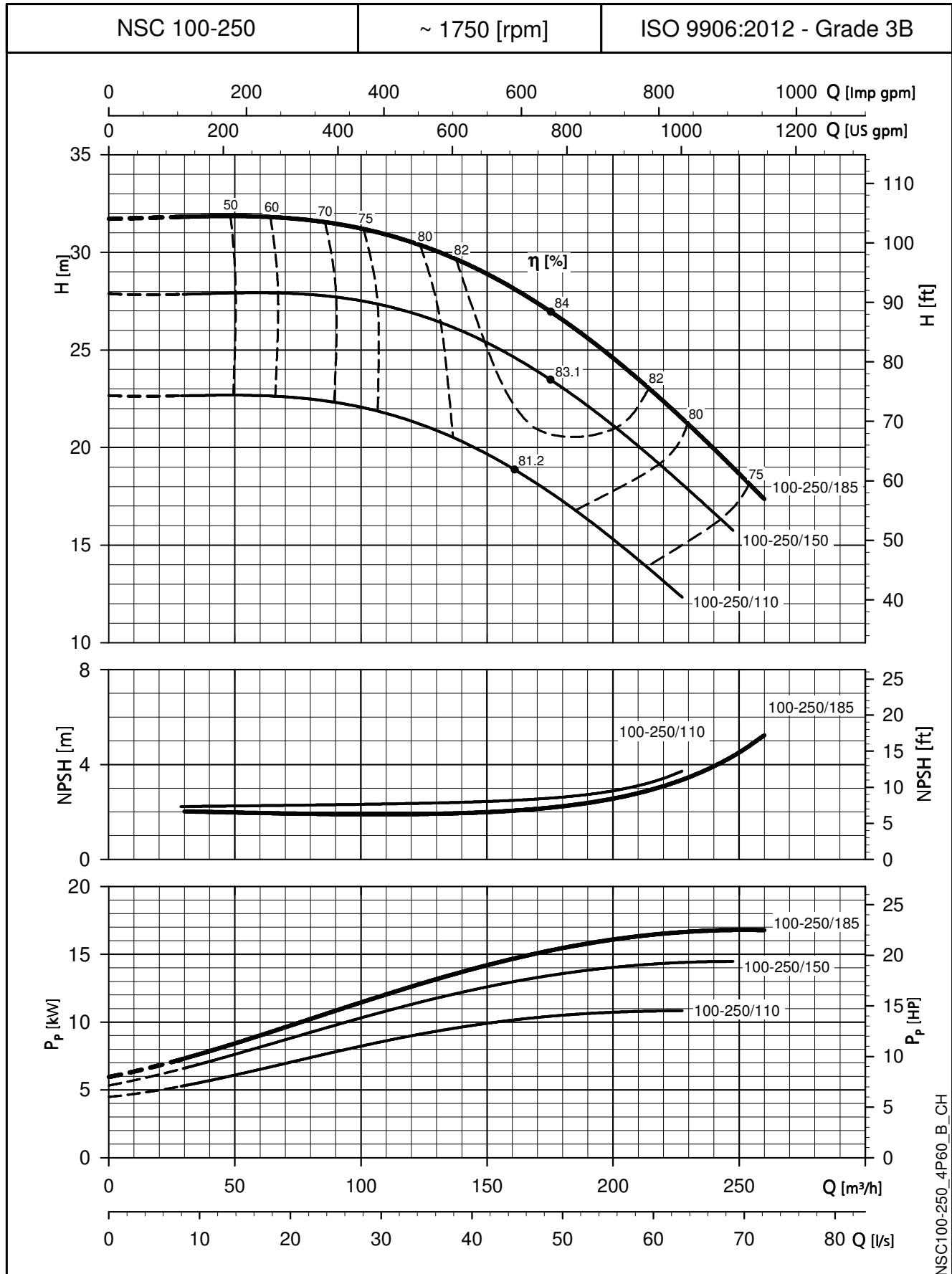


NSC100-200_4P60_B_CH

The NPSH values are laboratory values; for practical use we suggest increasing these values by 0,5 m.
 These performances are valid for liquids with density $\rho = 1,0 \text{ Kg/dm}^3$ and kinematic viscosity $\nu = 1 \text{ mm}^2/\text{sec}$.

e-NSC SERIES

OPERATING CHARACTERISTICS AT 60 Hz, 4 POLES

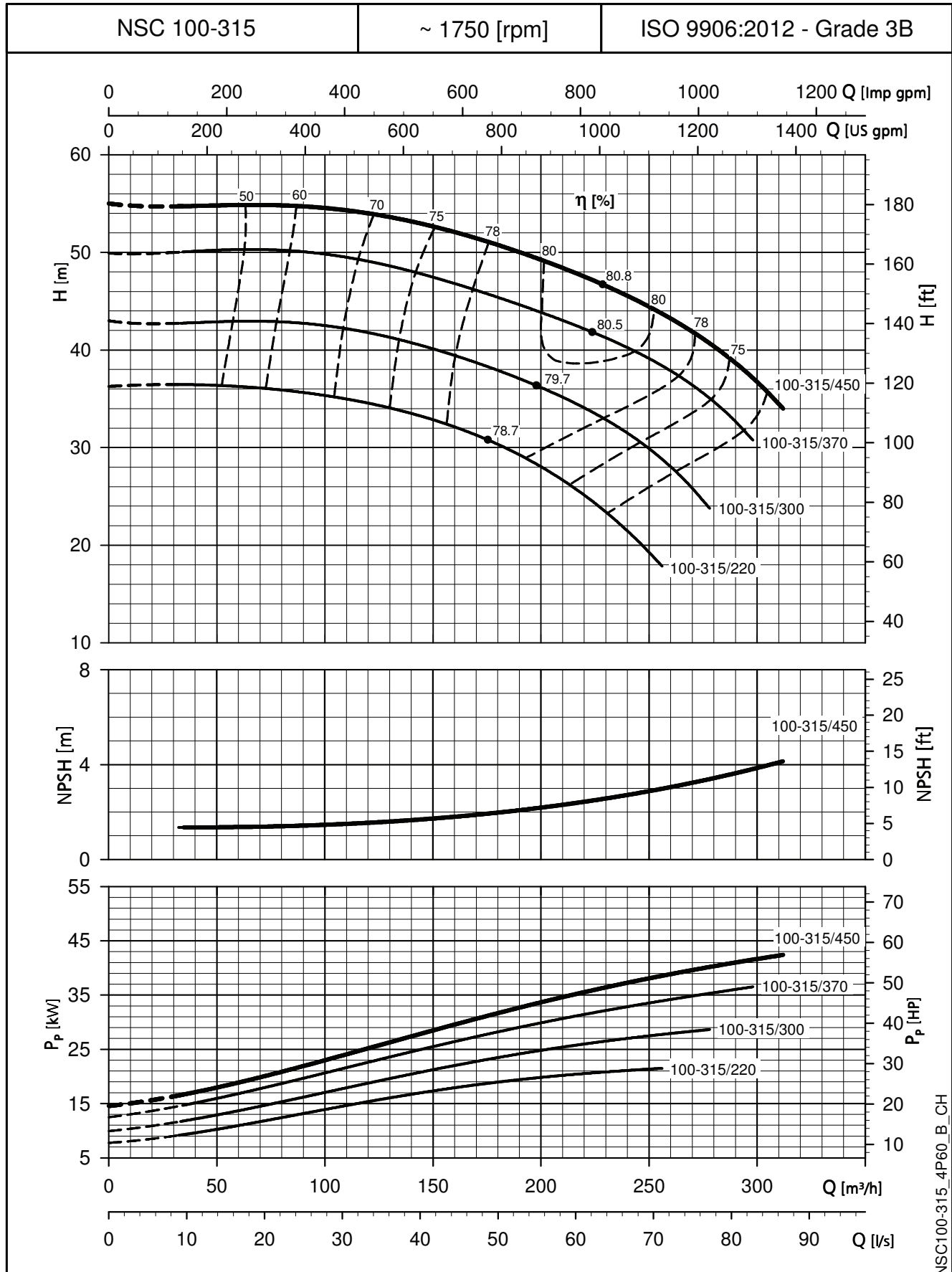


NSC100-250_4P60_B_CH

The NPSH values are laboratory values; for practical use we suggest increasing these values by 0,5 m.
 These performances are valid for liquids with density $\rho = 1,0 \text{ Kg/dm}^3$ and kinematic viscosity $\nu = 1 \text{ mm}^2/\text{sec}$.

e-NSC SERIES

OPERATING CHARACTERISTICS AT 60 Hz, 4 POLES

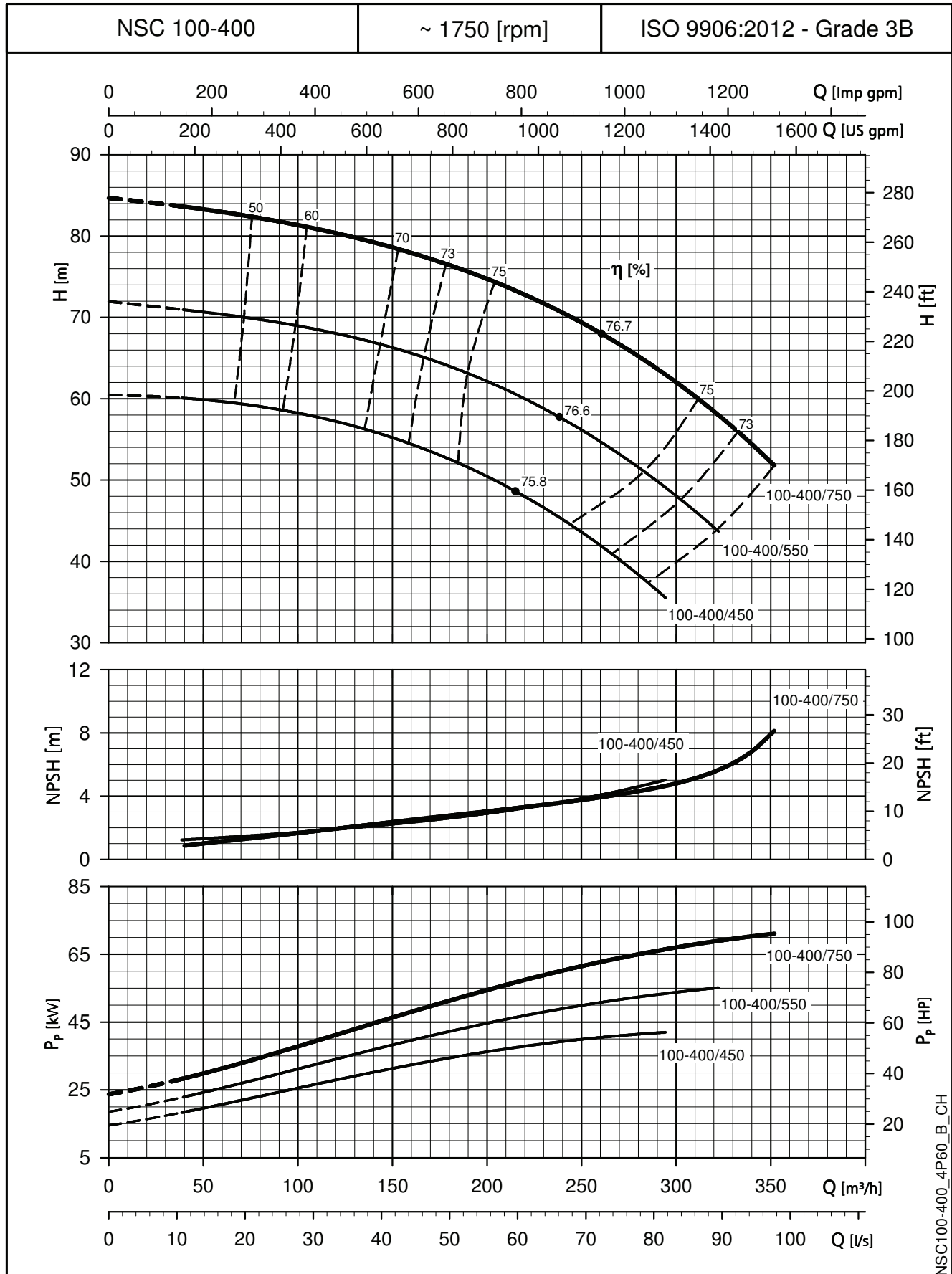


NSC100-315_4P60_B_CH

The NPSH values are laboratory values; for practical use we suggest increasing these values by 0,5 m.
 These performances are valid for liquids with density $\rho = 1,0 \text{ Kg/dm}^3$ and kinematic viscosity $\nu = 1 \text{ mm}^2/\text{sec}$.

e-NSC SERIES

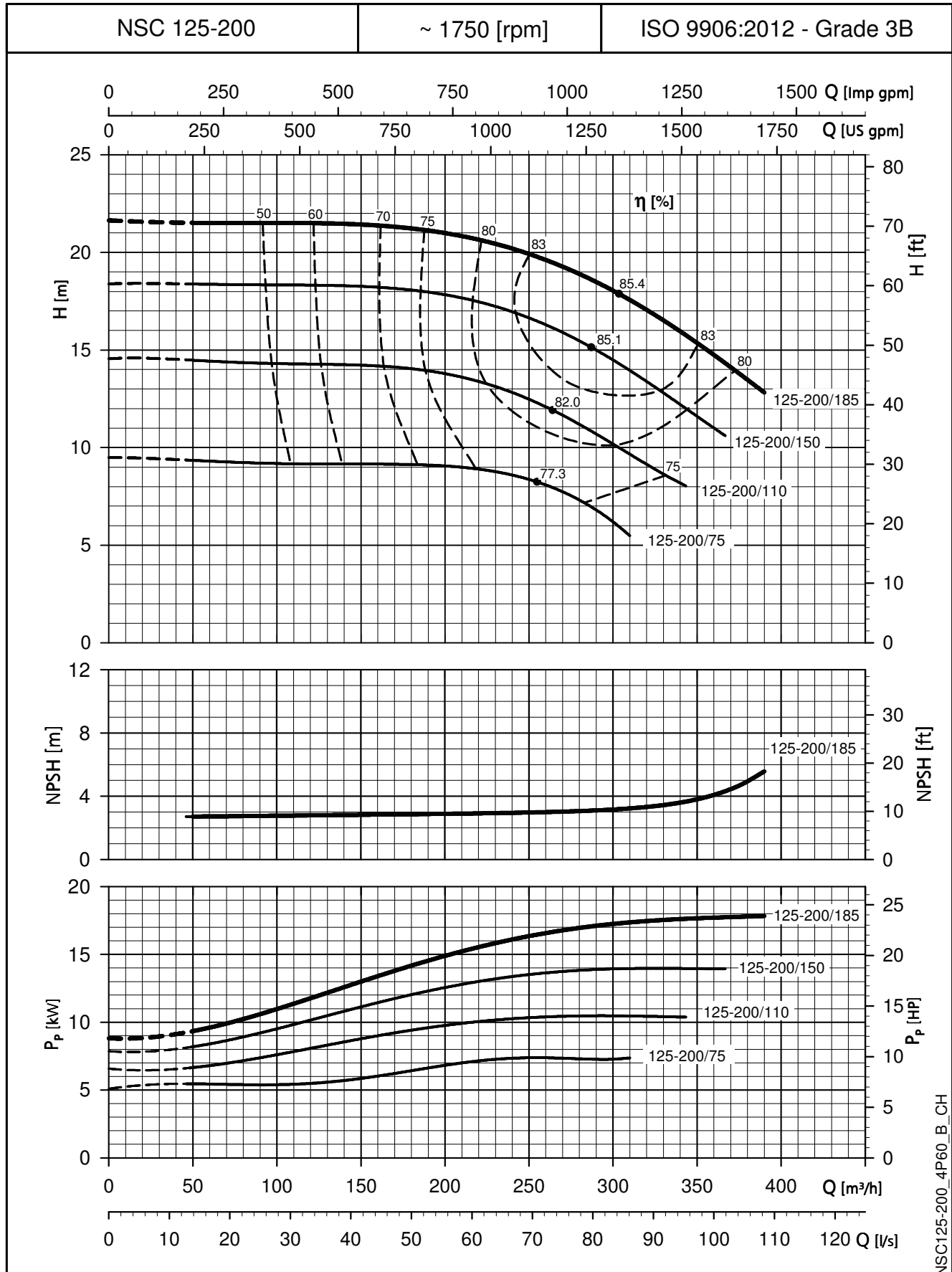
OPERATING CHARACTERISTICS AT 60 Hz, 4 POLES



The NPSH values are laboratory values; for practical use we suggest increasing these values by 0,5 m.
 These performances are valid for liquids with density $\rho = 1,0 \text{ Kg/dm}^3$ and kinematic viscosity $\nu = 1 \text{ mm}^2/\text{sec}$.

e-NSC SERIES

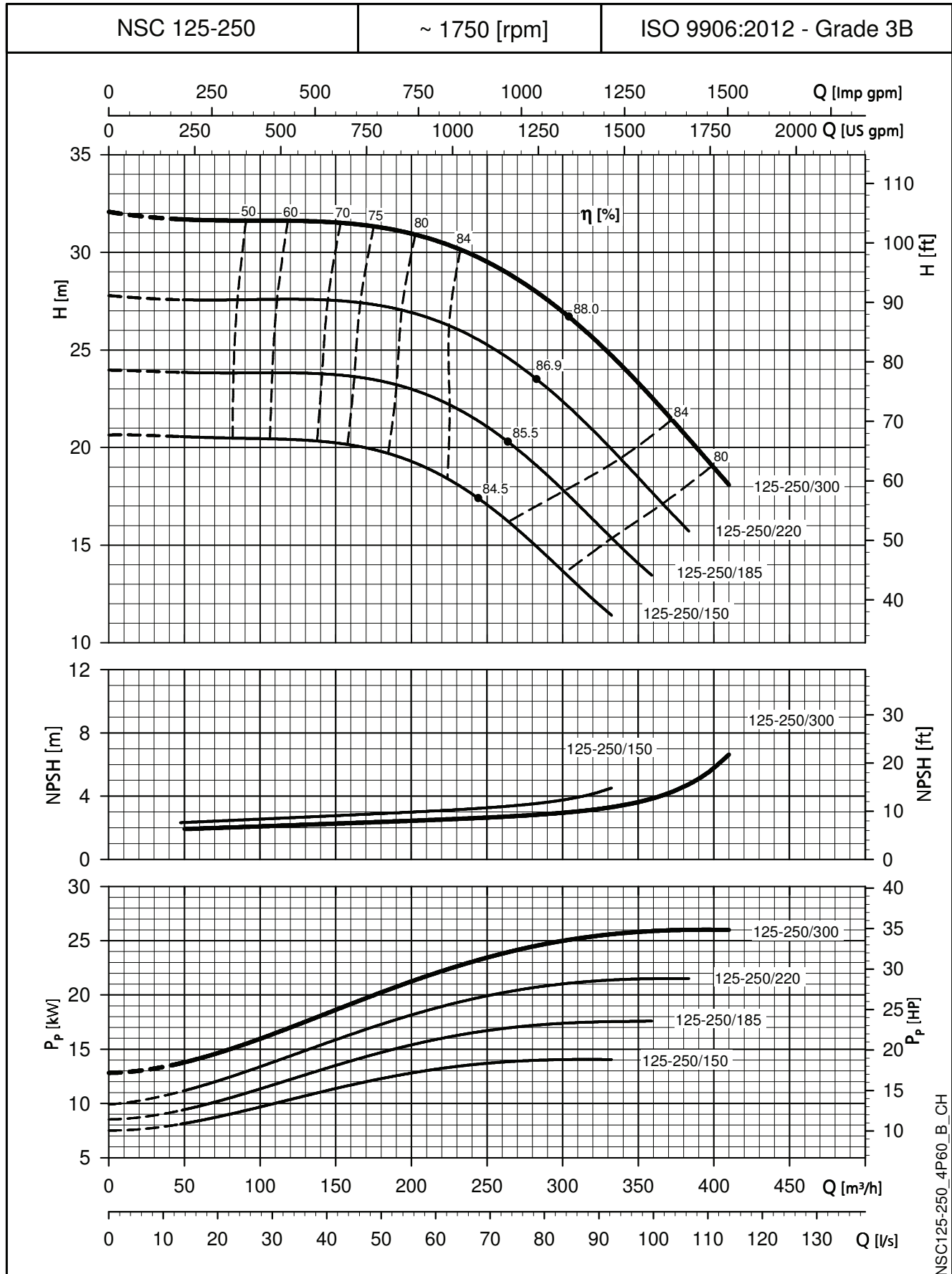
OPERATING CHARACTERISTICS AT 60 Hz, 4 POLES



The NPSH values are laboratory values; for practical use we suggest increasing these values by 0,5 m.
 These performances are valid for liquids with density $\rho = 1,0 \text{ Kg/dm}^3$ and kinematic viscosity $\nu = 1 \text{ mm}^2/\text{sec}$.

e-NSC SERIES

OPERATING CHARACTERISTICS AT 60 Hz, 4 POLES

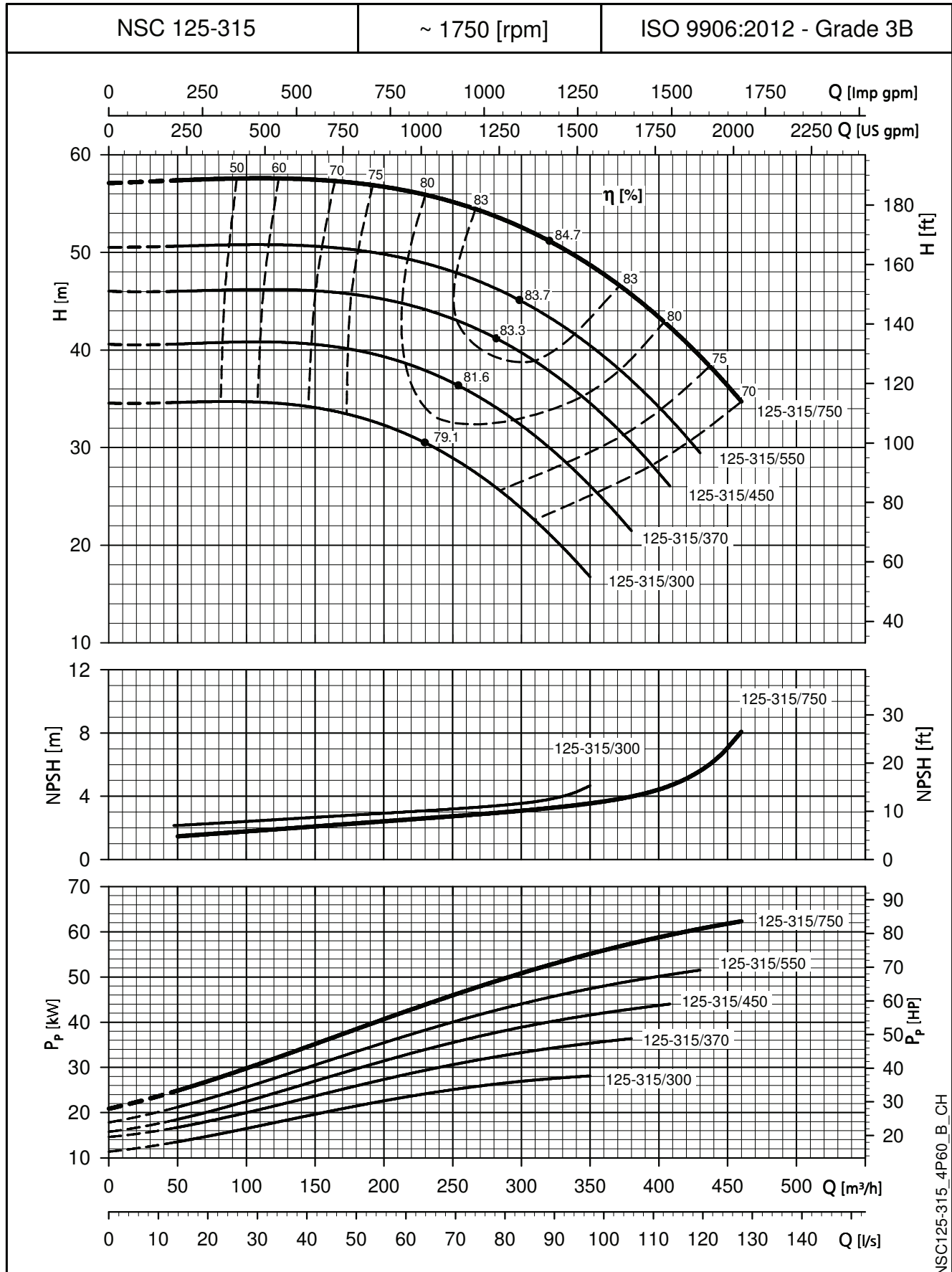


NSC125-250_4P60_B_CH

The NPSH values are laboratory values; for practical use we suggest increasing these values by 0,5 m.
 These performances are valid for liquids with density $\rho = 1,0 \text{ Kg/dm}^3$ and kinematic viscosity $\nu = 1 \text{ mm}^2/\text{sec}$.

e-NSC SERIES

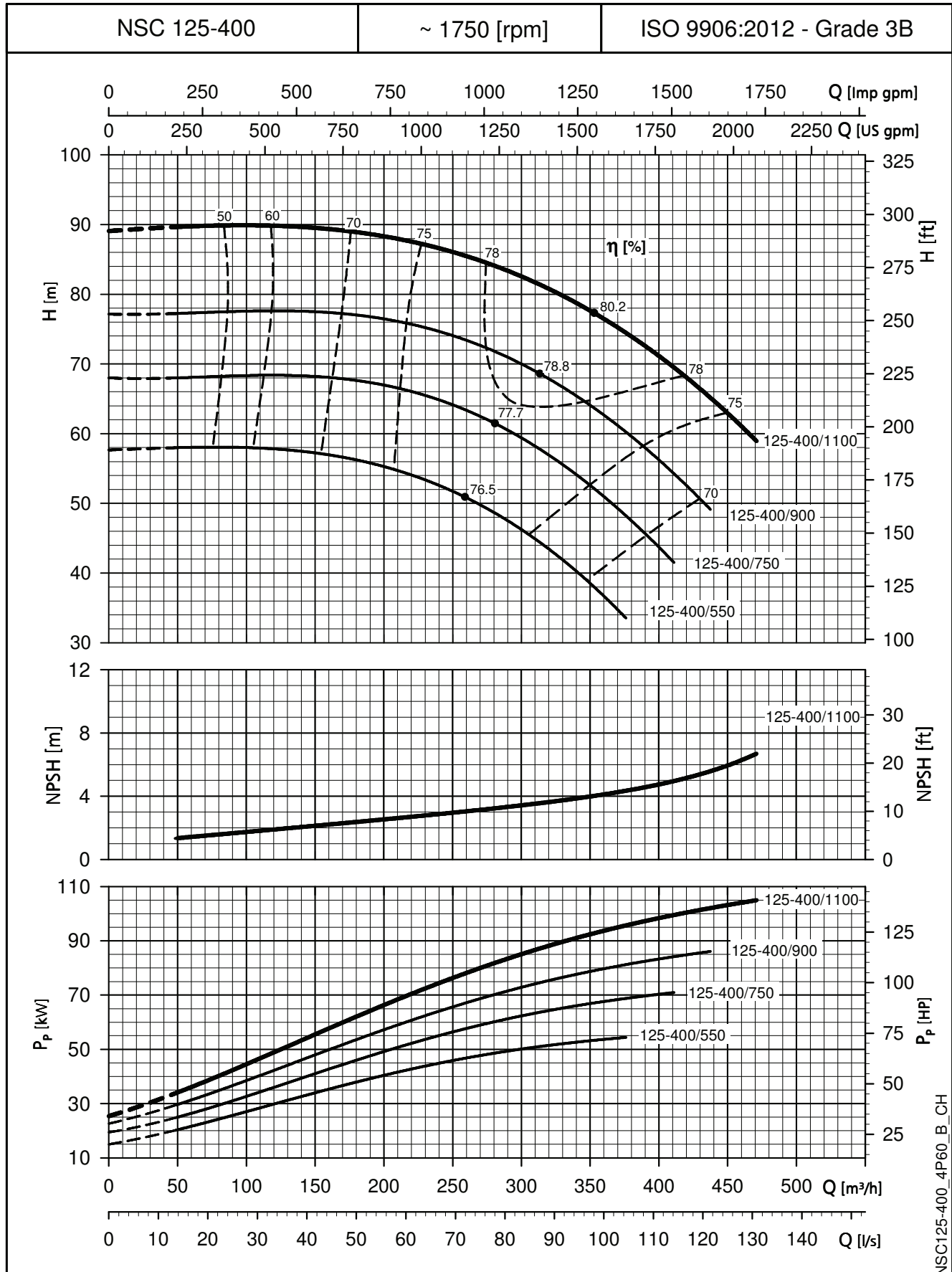
OPERATING CHARACTERISTICS AT 60 Hz, 4 POLES



NSC125-315_4P60_B_CH

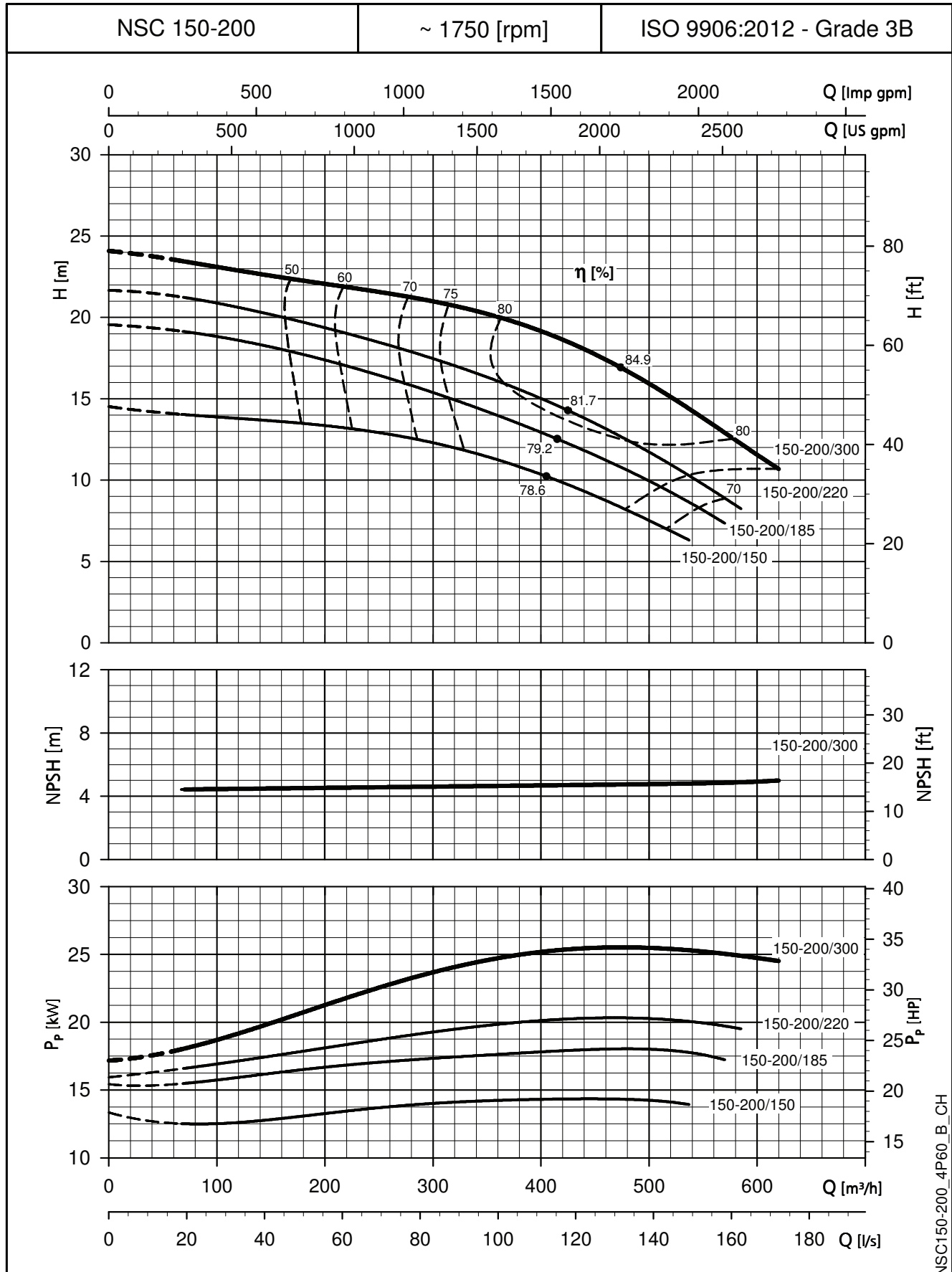
The NPSH values are laboratory values; for practical use we suggest increasing these values by 0,5 m.
 These performances are valid for liquids with density $\rho = 1,0 \text{ Kg/dm}^3$ and kinematic viscosity $\nu = 1 \text{ mm}^2/\text{sec}$.

e-NSC SERIES
OPERATING CHARACTERISTICS AT 60 Hz, 4 POLES



The NPSH values are laboratory values; for practical use we suggest increasing these values by 0,5 m.
 These performances are valid for liquids with density $\rho = 1,0 \text{ Kg/dm}^3$ and kinematic viscosity $\nu = 1 \text{ mm}^2/\text{sec}$.

e-NSC SERIES
OPERATING CHARACTERISTICS AT 60 Hz, 4 POLES

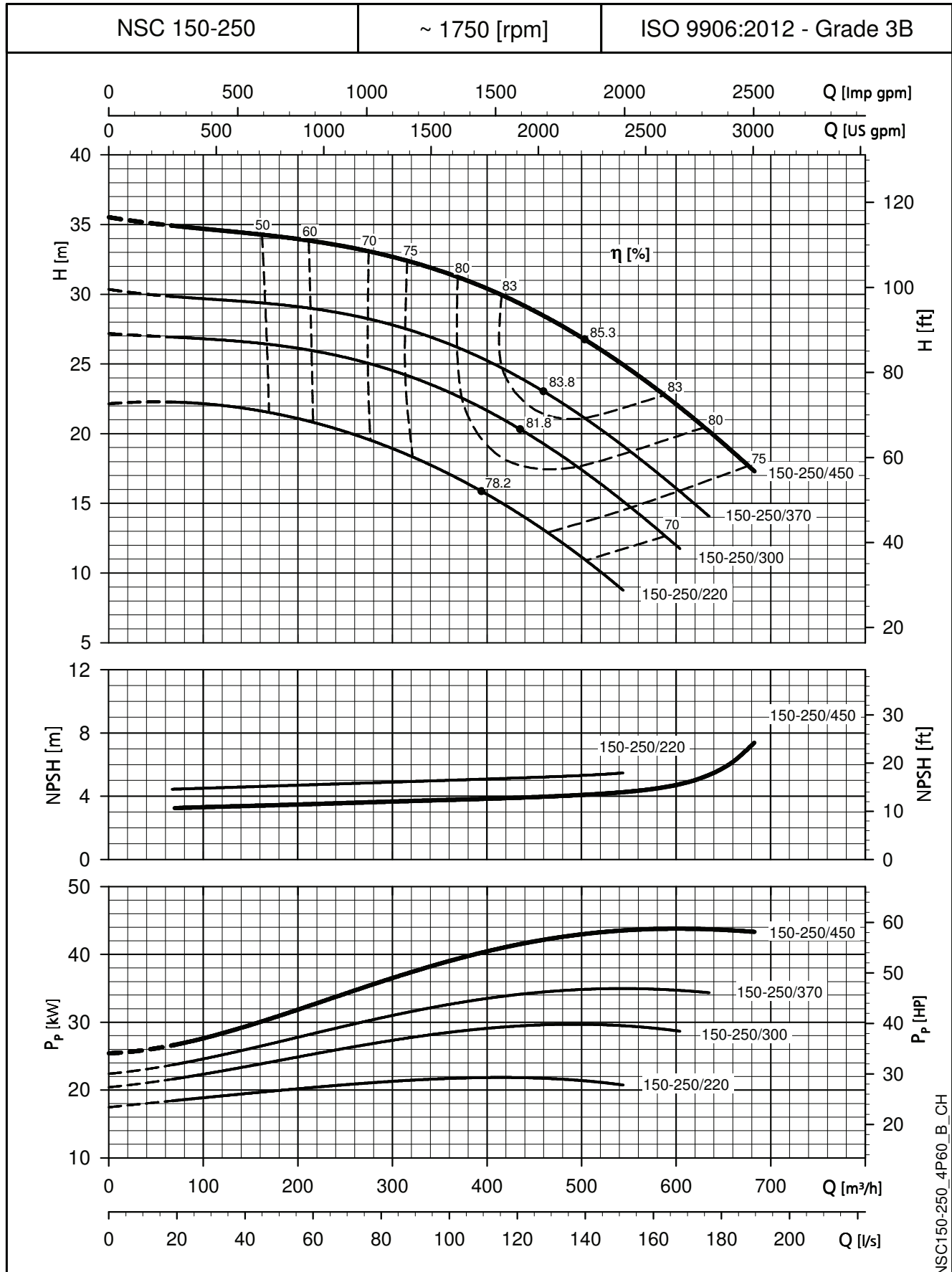


NSC150-200_4P60_B_CH

The NPSH values are laboratory values; for practical use we suggest increasing these values by 0,5 m.
 These performances are valid for liquids with density $\rho = 1,0 \text{ Kg/dm}^3$ and kinematic viscosity $\nu = 1 \text{ mm}^2/\text{sec}$.

e-NSC SERIES

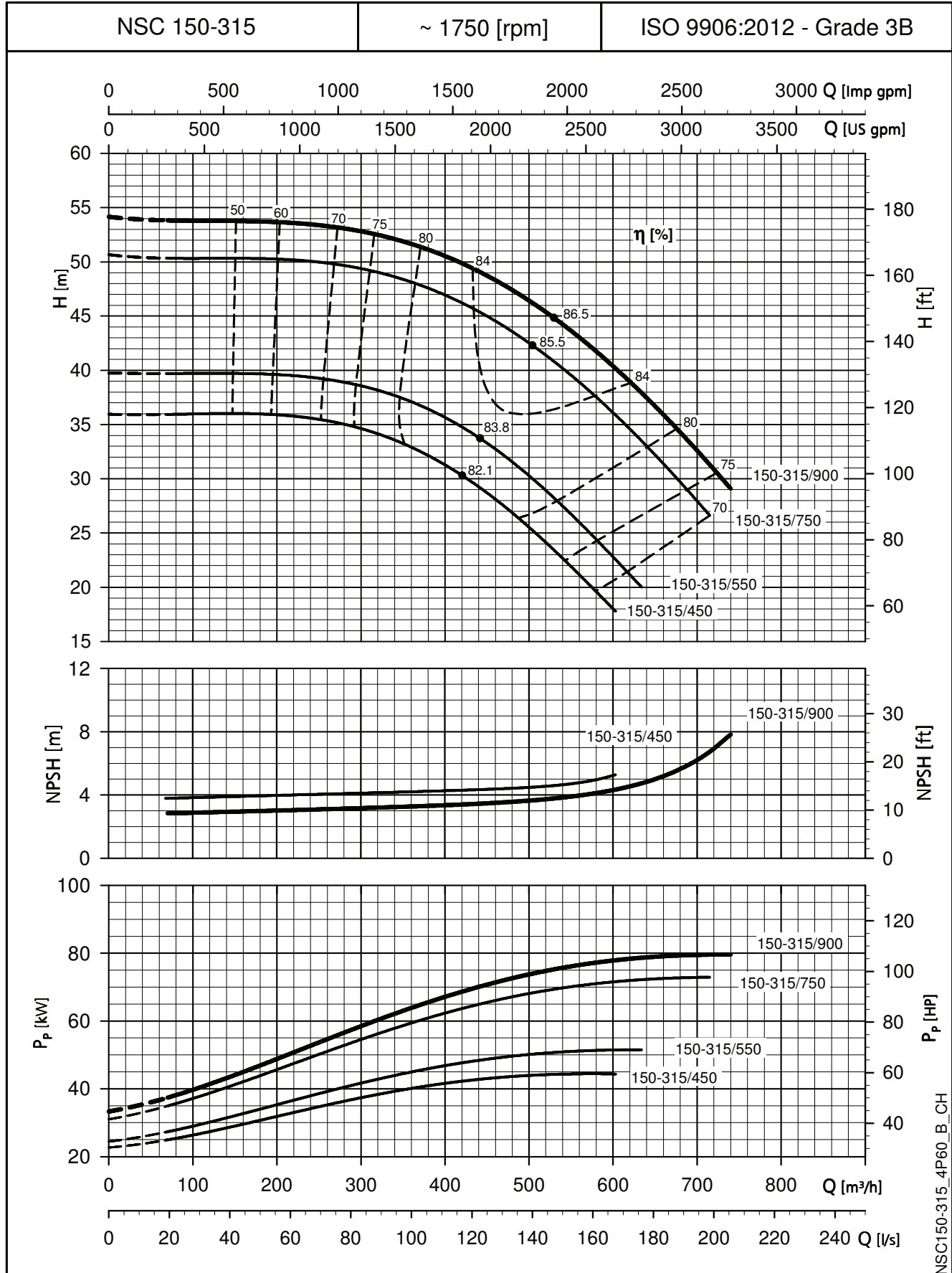
OPERATING CHARACTERISTICS AT 60 Hz, 4 POLES



The NPSH values are laboratory values; for practical use we suggest increasing these values by 0,5 m.
 These performances are valid for liquids with density $\rho = 1,0 \text{ Kg/dm}^3$ and kinematic viscosity $\nu = 1 \text{ mm}^2/\text{sec}$.

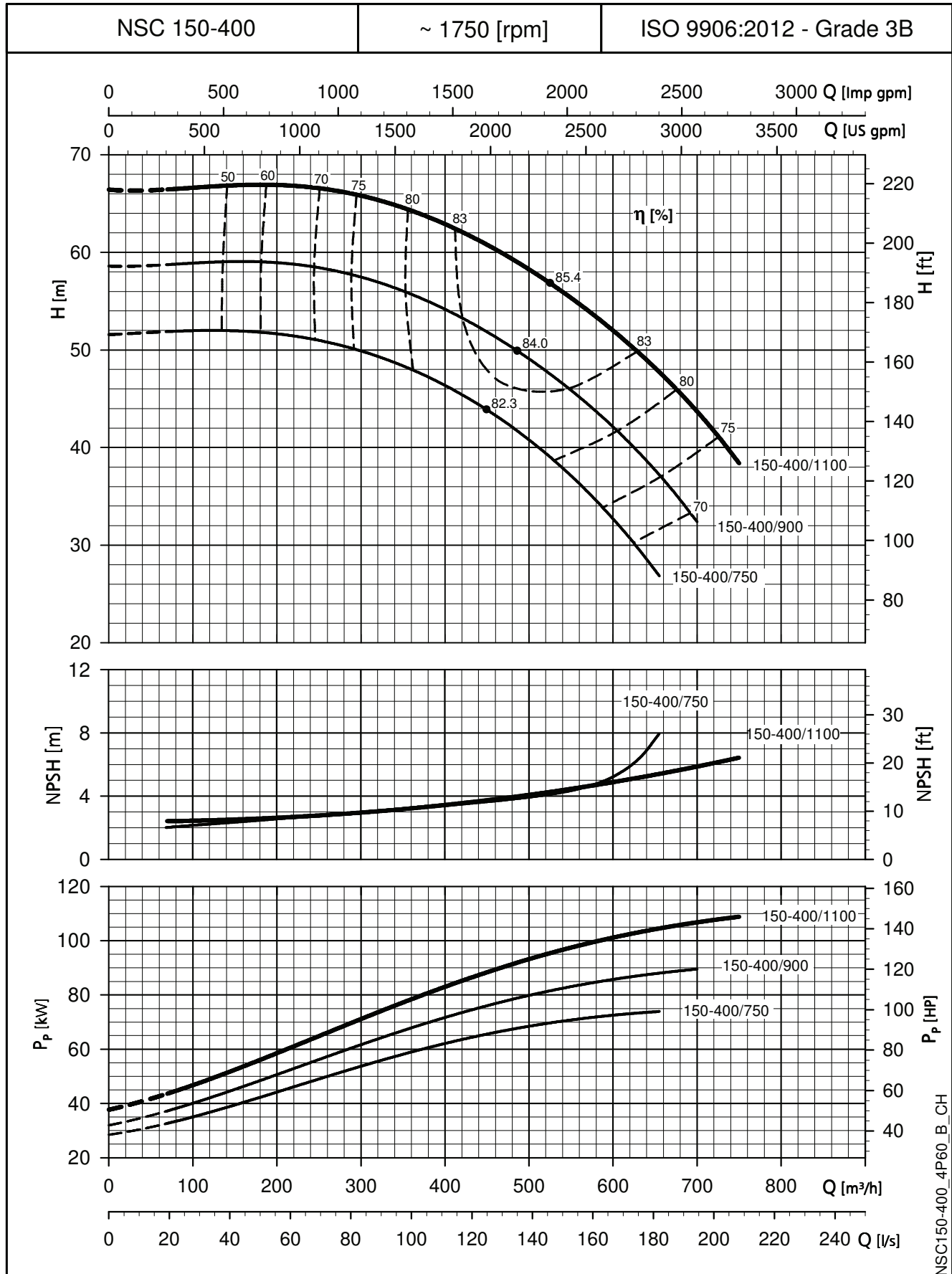
e-NSC SERIES

OPERATING CHARACTERISTICS AT 60 Hz, 4 POLES



The NPSH values are laboratory values; for practical use we suggest increasing these values by 0,5 m.
 These performances are valid for liquids with density $\rho = 1,0 \text{ Kg/dm}^3$ and kinematic viscosity $\nu = 1 \text{ mm}^2/\text{sec}$.

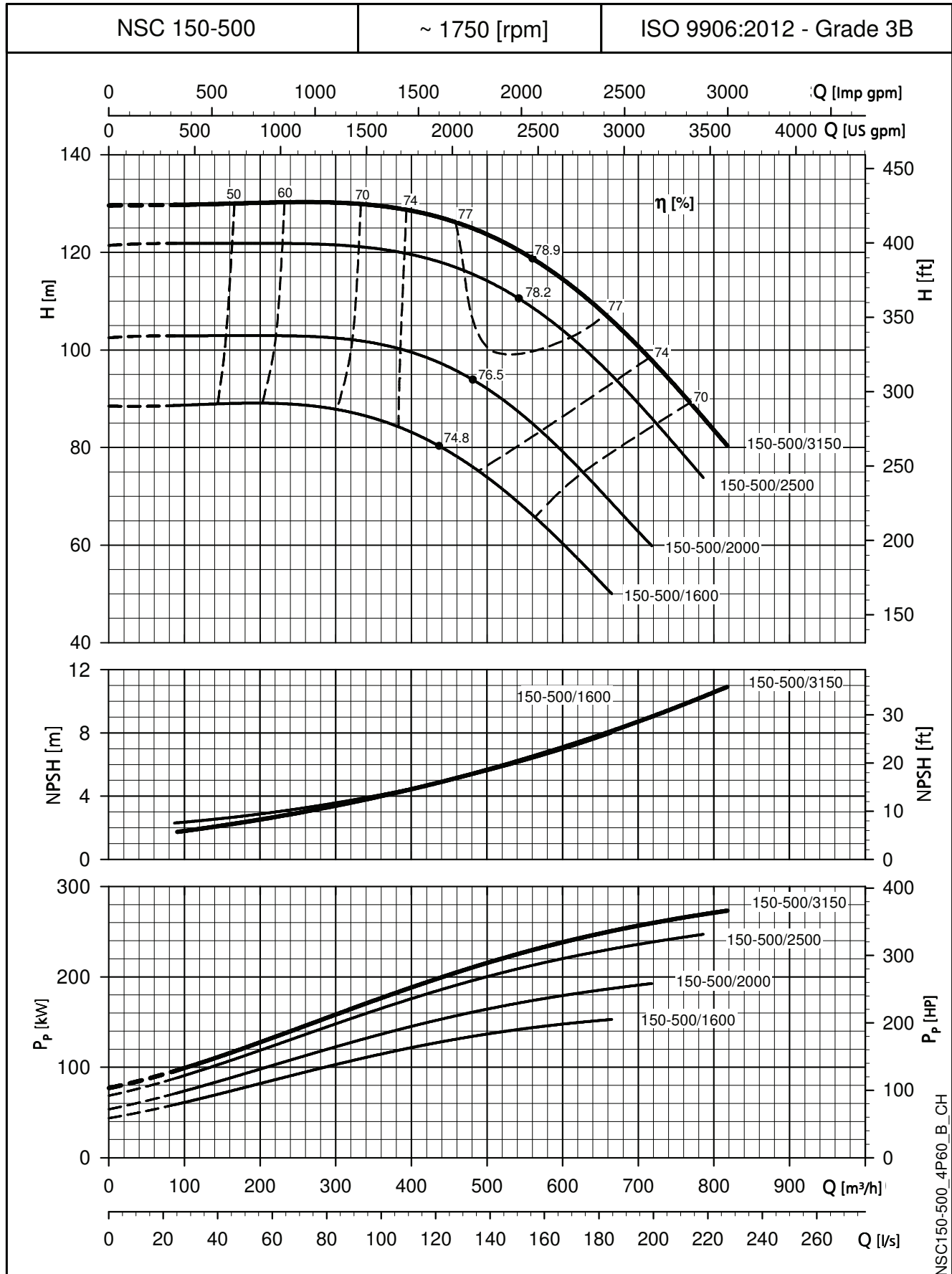
e-NSC SERIES
OPERATING CHARACTERISTICS AT 60 Hz, 4 POLES



The NPSH values are laboratory values; for practical use we suggest increasing these values by 0,5 m.
 These performances are valid for liquids with density $\rho = 1,0 \text{ Kg/dm}^3$ and kinematic viscosity $\nu = 1 \text{ mm}^2/\text{sec}$.

e-NSC SERIES

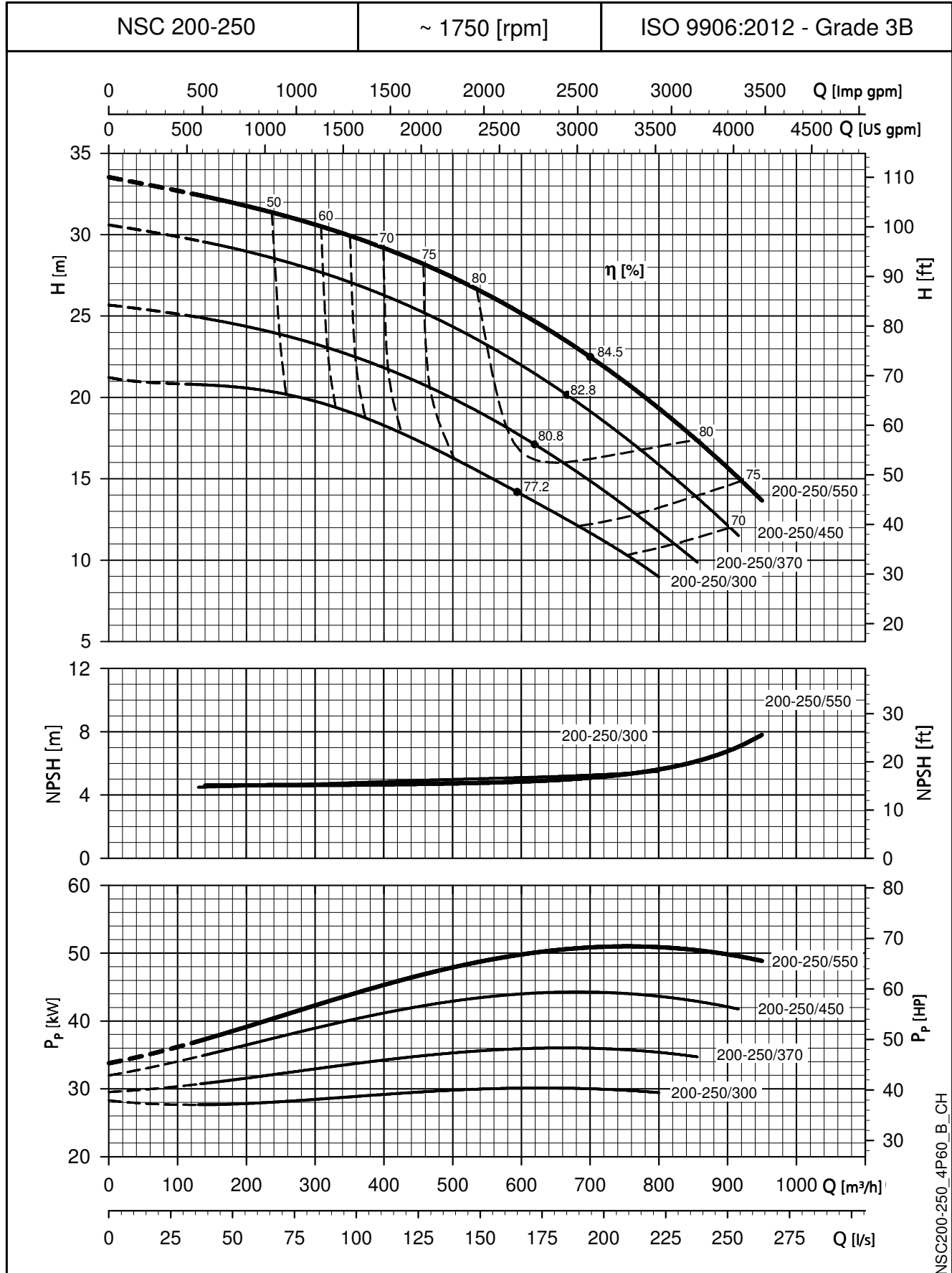
OPERATING CHARACTERISTICS AT 60 Hz, 4 POLES



The NPSH values are laboratory values; for practical use we suggest increasing these values by 0,5 m.
 These performances are valid for liquids with density $\rho = 1,0 \text{ Kg/dm}^3$ and kinematic viscosity $\nu = 1 \text{ mm}^2/\text{sec}$.

e-NSC SERIES

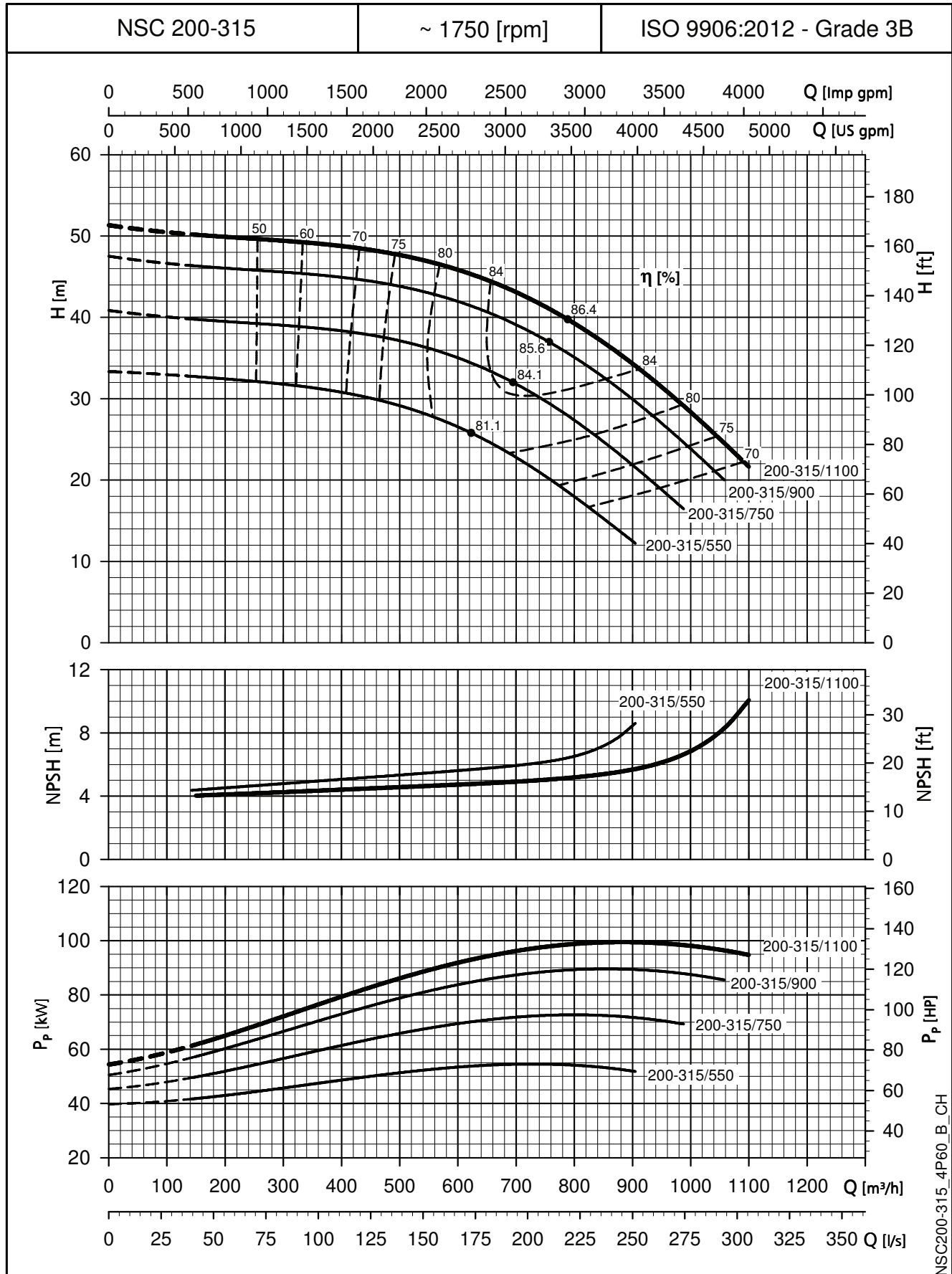
OPERATING CHARACTERISTICS AT 60 Hz, 4 POLES



The NPSH values are laboratory values; for practical use we suggest increasing these values by 0,5 m.
 These performances are valid for liquids with density ρ = 1,0 Kg/dm³ and kinematic viscosity ν = 1 mm²/sec.

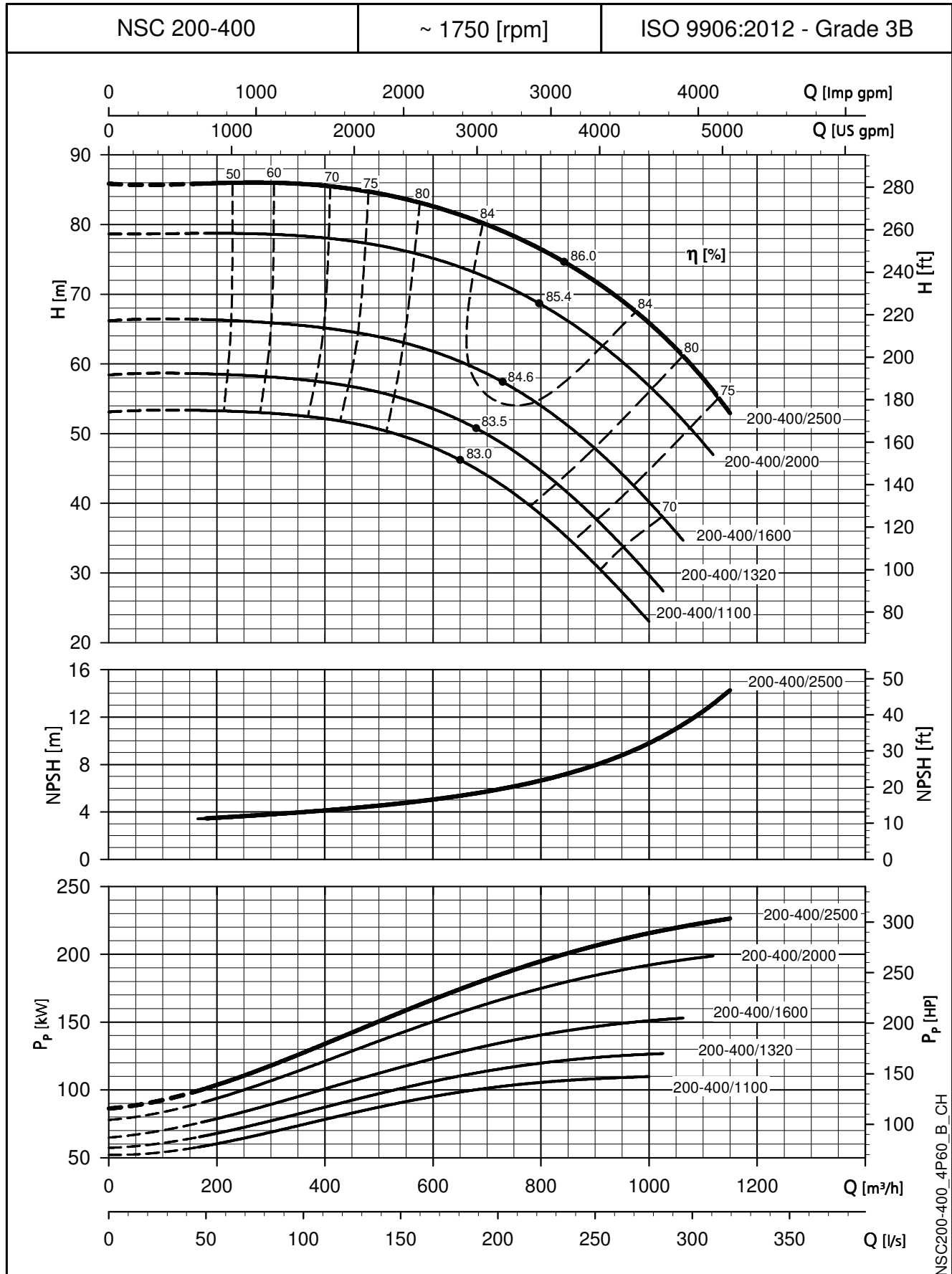
e-NSC SERIES

OPERATING CHARACTERISTICS AT 60 Hz, 4 POLES



The NPSH values are laboratory values; for practical use we suggest increasing these values by 0,5 m.
 These performances are valid for liquids with density $\rho = 1,0 \text{ Kg/dm}^3$ and kinematic viscosity $\nu = 1 \text{ mm}^2/\text{sec}$.

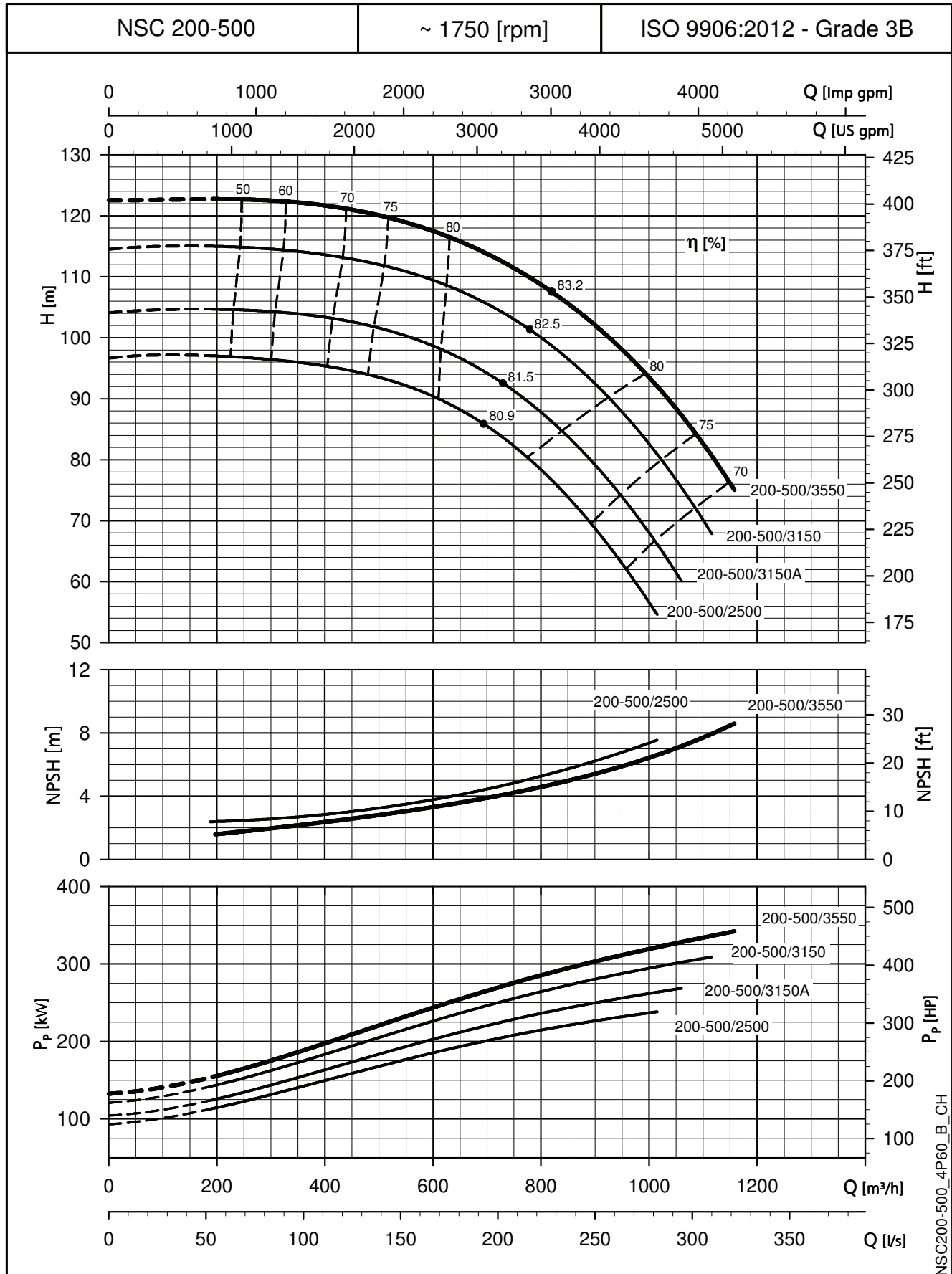
e-NSC SERIES
OPERATING CHARACTERISTICS AT 60 Hz, 4 POLES



The NPSH values are laboratory values; for practical use we suggest increasing these values by 0,5 m.
 These performances are valid for liquids with density $\rho = 1,0 \text{ Kg/dm}^3$ and kinematic viscosity $\nu = 1 \text{ mm}^2/\text{sec}$.

e-NSC SERIES

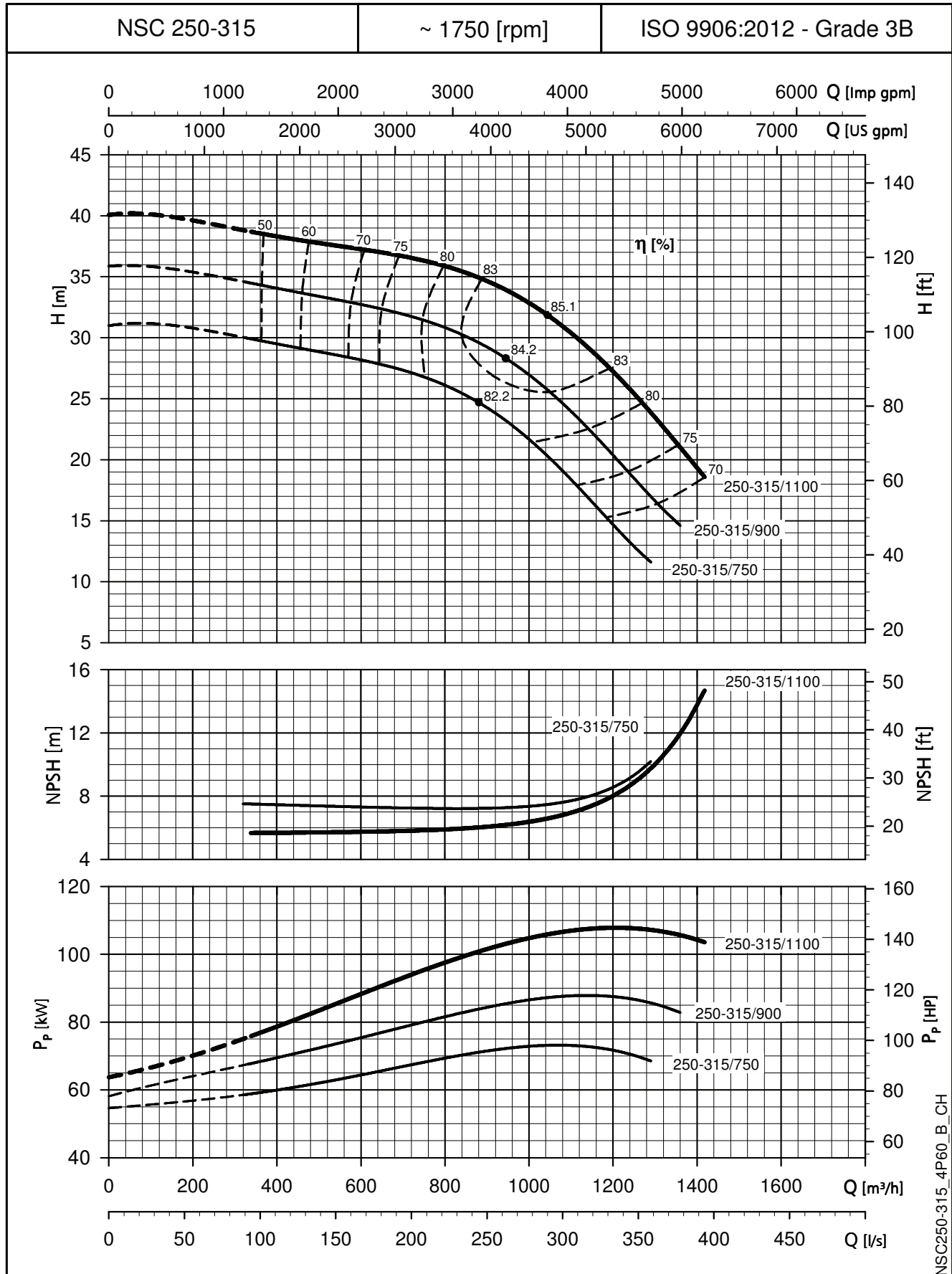
OPERATING CHARACTERISTICS AT 60 Hz, 4 POLES



The NPSH values are laboratory values; for practical use we suggest increasing these values by 0,5 m.
 These performances are valid for liquids with density $\rho = 1,0 \text{ Kg/dm}^3$ and kinematic viscosity $\nu = 1 \text{ mm}^2/\text{sec}$.

e-NSC SERIES

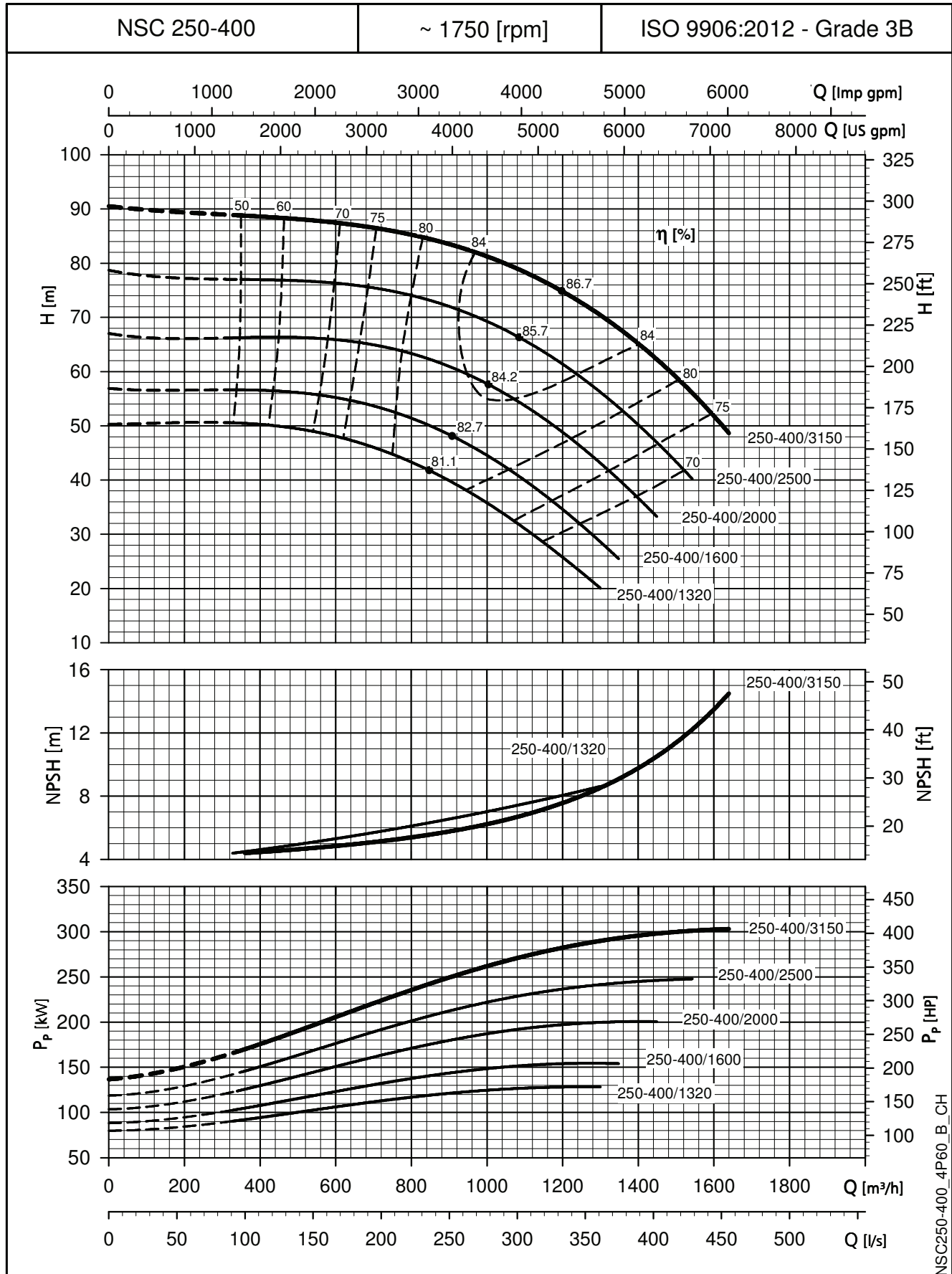
OPERATING CHARACTERISTICS AT 60 Hz, 4 POLES



The NPSH values are laboratory values; for practical use we suggest increasing these values by 0,5 m.
 These performances are valid for liquids with density $\rho = 1,0 \text{ Kg/dm}^3$ and kinematic viscosity $\nu = 1 \text{ mm}^2/\text{sec}$.

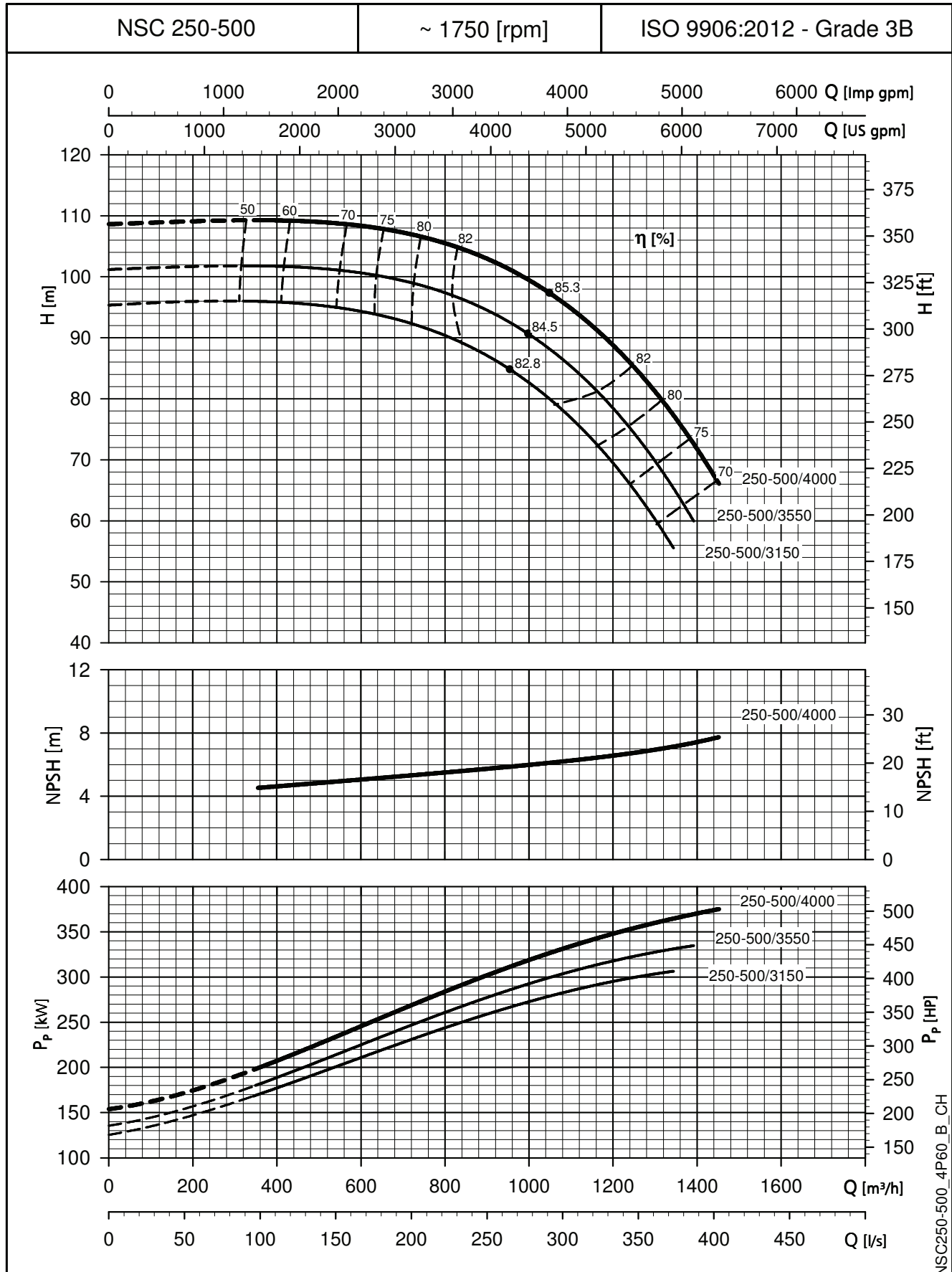
e-NSC SERIES

OPERATING CHARACTERISTICS AT 60 Hz, 4 POLES



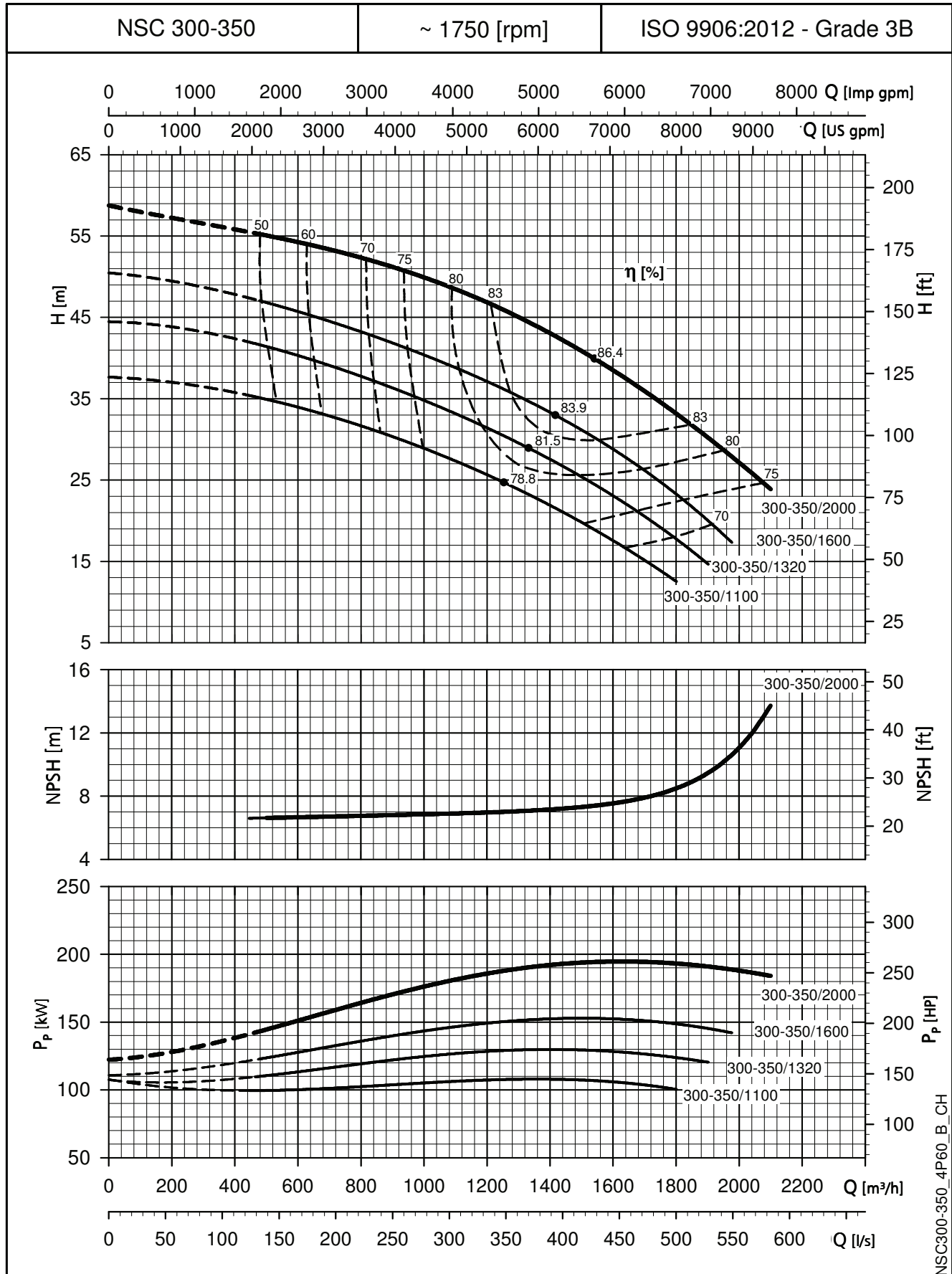
The NPSH values are laboratory values; for practical use we suggest increasing these values by 0,5 m.
 These performances are valid for liquids with density $\rho = 1,0 \text{ Kg/dm}^3$ and kinematic viscosity $\nu = 1 \text{ mm}^2/\text{sec}$.

e-NSC SERIES
OPERATING CHARACTERISTICS AT 60 Hz, 4 POLES



The NPSH values are laboratory values; for practical use we suggest increasing these values by 0,5 m.
 These performances are valid for liquids with density $\rho = 1,0 \text{ Kg/dm}^3$ and kinematic viscosity $\nu = 1 \text{ mm}^2/\text{sec}$.

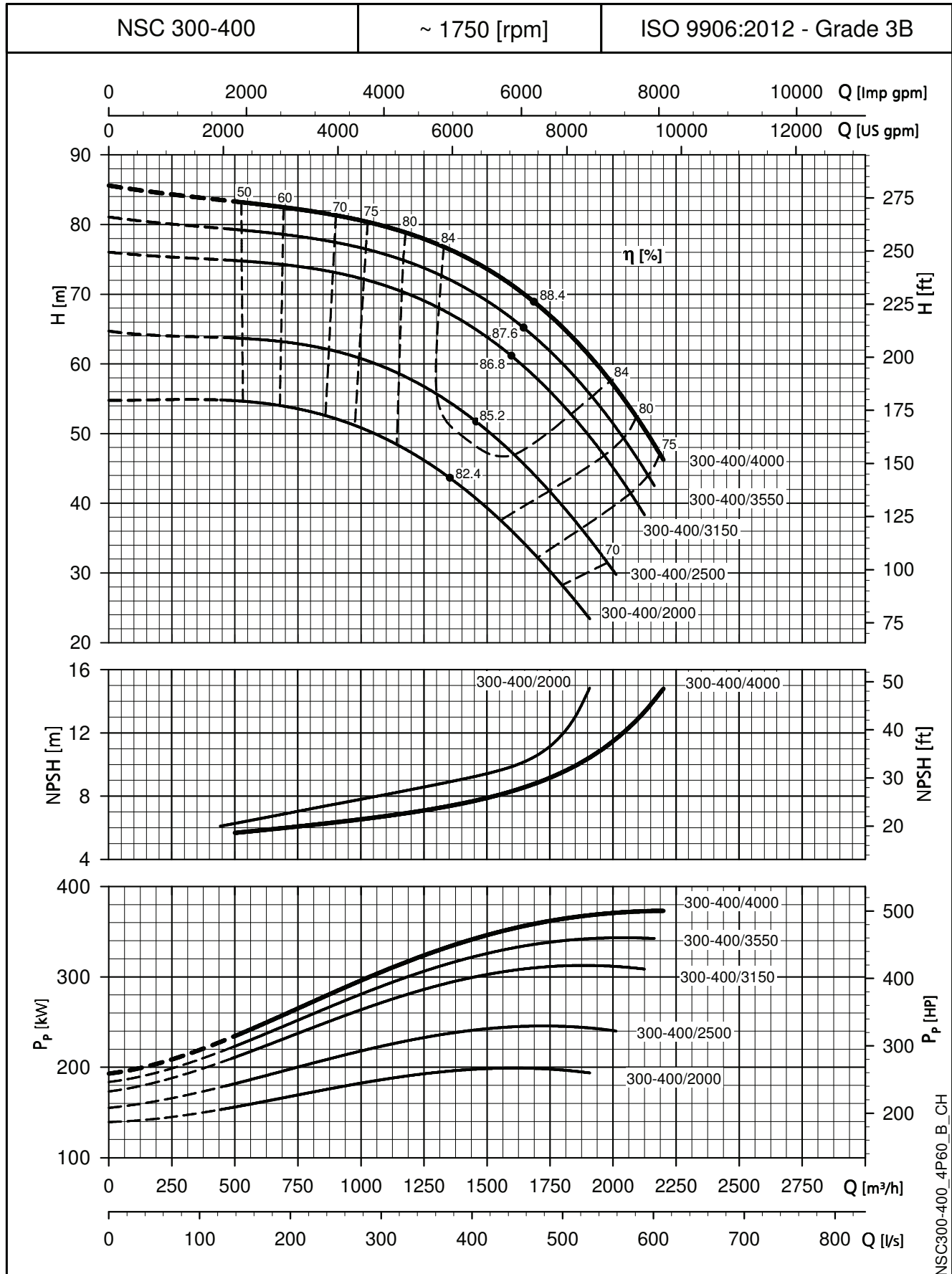
e-NSC SERIES
OPERATING CHARACTERISTICS AT 60 Hz, 4 POLES



The NPSH values are laboratory values; for practical use we suggest increasing these values by 0,5 m.
 These performances are valid for liquids with density $\rho = 1,0 \text{ Kg/dm}^3$ and kinematic viscosity $\nu = 1 \text{ mm}^2/\text{sec}$.

e-NSC SERIES

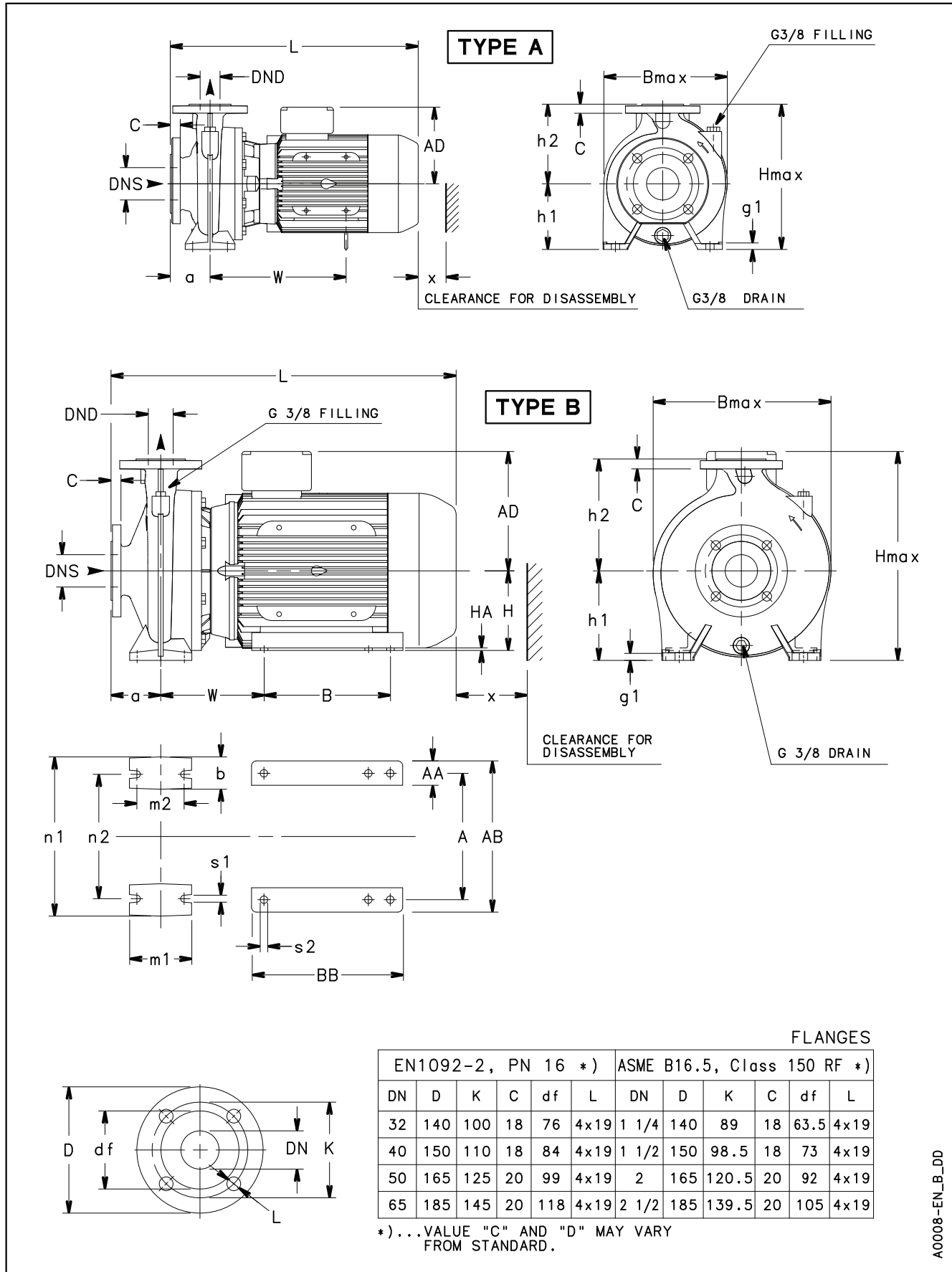
OPERATING CHARACTERISTICS AT 60 Hz, 4 POLES



The NPSH values are laboratory values; for practical use we suggest increasing these values by 0,5 m.
 These performances are valid for liquids with density $\rho = 1,0 \text{ Kg/dm}^3$ and kinematic viscosity $\nu = 1 \text{ mm}^2/\text{sec}$.

DIMENSIONS AND WEIGHTS

**NSCE 32, 40, 50 SERIES
DIMENSIONS AND WEIGHTS AT 60 Hz, 2 POLES**

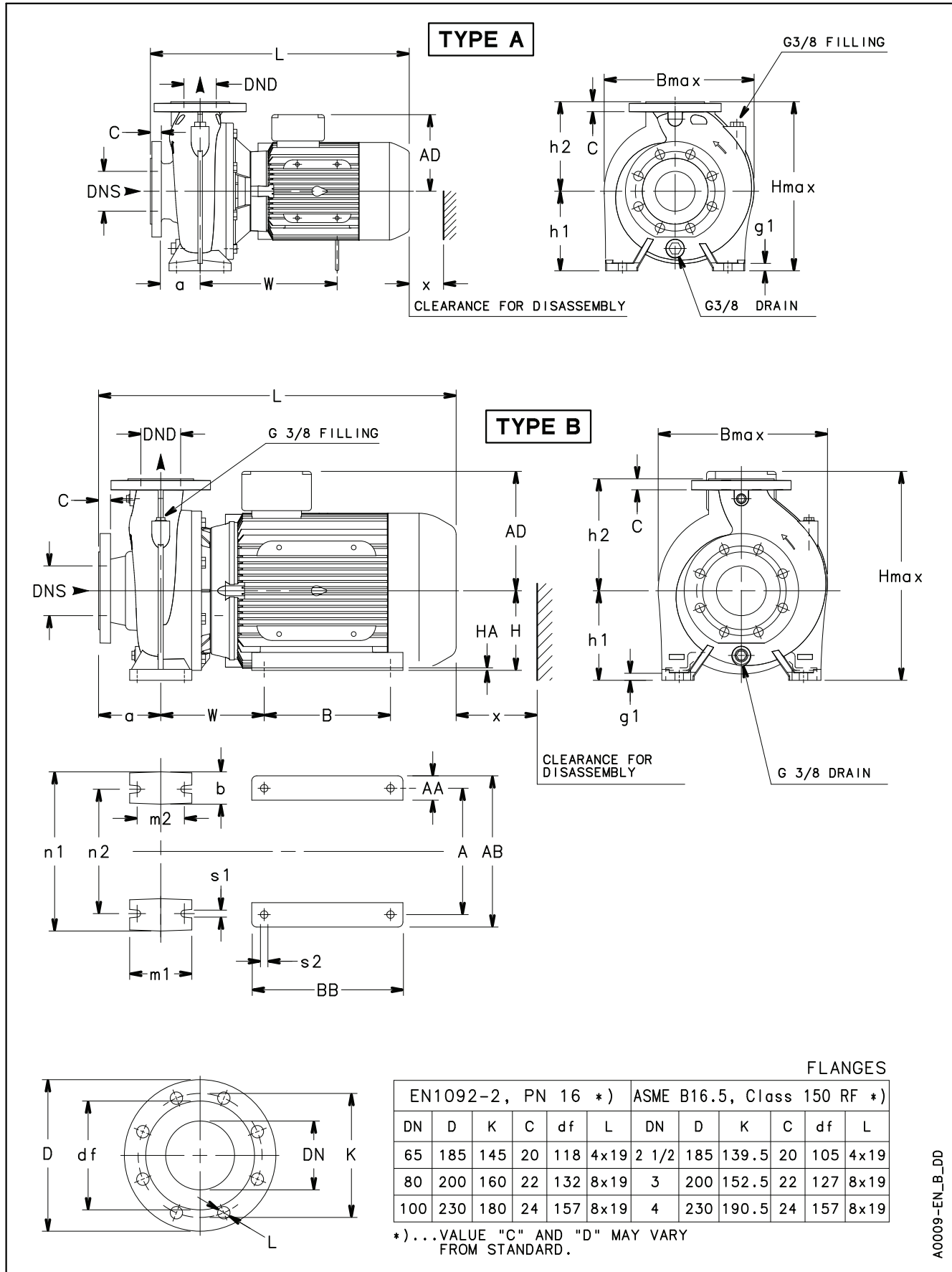


NSCE 32, 40, 50 SERIES DIMENSIONS AND WEIGHTS AT 60 Hz, 2 POLES

PUMP TYPE NSCE..2	TYPE	DIMENSIONS (mm)																							WEIGHT kg			
		PUMP												MOTOR														
		DNS	DND	a	b	g1	h1	h2	m1	m2	n1	n2	s1	W	A	AA	AB	AD	B	BB	H	HA	s2	B max		H max	L	x
32-125/15/S	A	50	32	80	50	14	112	140	100	70	190	140	14	235	-	-	-	129	-	-	-	-	-	242	252	443	86	33
32-125/22/P	A	50	32	80	50	14	112	140	100	70	190	140	14	245	-	-	-	134	-	-	-	-	-	242	252	478	86	40
32-125/30/P	A	50	32	80	50	14	112	140	100	70	190	140	14	245	-	-	-	134	-	-	-	-	-	242	252	478	86	41
32-125/40/P	A	50	32	80	50	14	112	140	100	70	190	140	14	273	-	-	-	154	-	-	-	-	-	242	266	499	86	46
32-125/55/P	A	50	32	80	50	14	112	140	100	70	190	140	14	285	-	-	-	168	-	-	-	-	-	242	280	533	86	55
32-160/40/P	A	50	32	80	50	14	132	160	100	70	240	190	14	273	-	-	-	154	-	-	-	-	-	248	292	499	86	47
32-160/55/P	A	50	32	80	50	14	132	160	100	70	240	190	14	285	-	-	-	168	-	-	-	-	-	248	300	533	86	56
32-160/75/P	A	50	32	80	50	14	132	160	100	70	240	190	14	305	-	-	-	191	-	-	-	-	-	256	323	547	86	75
32-160/92/P	A	50	32	80	50	14	132	160	100	70	240	190	14	343	-	-	-	191	-	-	-	-	-	256	323	585	86	81
32-200/75/P	A	50	32	80	50	14	160	180	100	70	240	190	14	305	-	-	-	191	-	-	-	-	-	286	351	547	86	78
32-200/92/P	A	50	32	80	50	14	160	180	100	70	240	190	14	343	-	-	-	191	-	-	-	-	-	286	351	585	86	84
32-200/110/P	A	50	32	80	50	14	160	180	100	70	240	190	14	343	-	-	-	191	-	-	-	-	-	286	351	585	86	87
32-250/110/P	A	50	32	100	65	16	180	225	125	95	320	250	14	343	-	-	-	191	-	-	-	-	-	343	405	605	95	105
32-250/150/P	B	50	32	100	65	16	180	225	125	95	320	250	14	208	254	49	304	240	210	304	160	5	15	343	420	694	95	145
32-250/185/P	B	50	32	100	65	16	180	225	125	95	320	250	14	208	254	49	304	240	254	304	160	5	15	343	420	694	95	156
32-250/220/P	B	50	32	100	65	16	180	225	125	95	320	250	14	208	254	49	304	240	254	304	160	5	15	343	420	694	95	165
40-125/30/P	A	65	40	80	50	14	112	140	100	70	210	160	14	245	-	-	-	134	-	-	-	-	-	237	252	478	96	42
40-125/40/P	A	65	40	80	50	14	112	140	100	70	210	160	14	273	-	-	-	154	-	-	-	-	-	237	266	492	96	47
40-125/55/P	A	65	40	80	50	14	112	140	100	70	210	160	14	285	-	-	-	168	-	-	-	-	-	237	280	533	96	56
40-125/75/P	A	65	40	80	50	14	112	140	100	70	210	160	14	305	-	-	-	191	-	-	-	-	-	256	303	547	96	75
40-160/55/P	A	65	40	80	50	14	132	160	100	70	240	190	14	285	-	-	-	168	-	-	-	-	-	256	300	533	92	57
40-160/75/P	A	65	40	80	50	14	132	160	100	70	240	190	14	305	-	-	-	191	-	-	-	-	-	256	323	547	92	76
40-160/92/P	A	65	40	80	50	14	132	160	100	70	240	190	14	343	-	-	-	191	-	-	-	-	-	256	323	585	92	82
40-160/110/P	A	65	40	80	50	14	132	160	100	70	240	190	14	343	-	-	-	191	-	-	-	-	-	256	323	585	92	85
40-200/92/P	A	65	40	100	50	14	160	180	100	70	265	212	14	343	-	-	-	191	-	-	-	-	-	290	351	605	90	86
40-200/110/P	A	65	40	100	50	14	160	180	100	70	265	212	14	343	-	-	-	191	-	-	-	-	-	290	351	605	90	89
40-250/185/P	B	65	40	100	65	16	180	225	125	95	320	250	14	208	254	49	304	240	254	304	160	5	15	338	420	694	104	157
40-250/220/P	B	65	40	100	65	16	180	225	125	95	320	250	14	208	254	49	304	240	254	304	160	5	15	338	420	694	104	166
50-125/55/P	A	65	50	100	50	14	132	160	100	70	240	190	14	287	-	-	-	168	-	-	-	-	-	255	300	555	107	59
50-125/75/P	A	65	50	100	50	14	132	160	100	70	240	190	14	307	-	-	-	191	-	-	-	-	-	263	323	569	107	78
50-125/92/P	A	65	50	100	50	14	132	160	100	70	240	190	14	345	-	-	-	191	-	-	-	-	-	263	323	607	107	84
50-125/110/P	A	65	50	100	50	14	132	160	100	70	240	190	14	345	-	-	-	191	-	-	-	-	-	263	323	607	107	87
50-160/92/P	A	65	50	100	50	14	160	180	100	70	265	212	14	343	-	-	-	191	-	-	-	-	-	289	351	605	103	87
50-160/110/P	A	65	50	100	50	14	160	180	100	70	265	212	14	343	-	-	-	191	-	-	-	-	-	289	351	605	103	90
50-200/185/P	B	65	50	100	50	14	160	200	100	70	265	212	14	208	254	49	304	240	254	304	160	5	15	313	400	694	98	142
50-200/220/P	B	65	50	100	50	14	160	200	100	70	265	212	14	208	254	49	304	240	254	304	160	5	15	313	400	694	98	151
50-250/220/P	B	65	50	100	65	16	180	225	125	95	320	250	14	208	254	49	304	240	254	304	160	5	15	352	420	694	110	167

NOTE: Pumps with flanges according to EN 1092-2 as standard; available ASME B16.5 version on request.

NSCE 65, 80 SERIES
DIMENSIONS AND WEIGHTS AT 60 Hz, 2 POLES



NSCE 65, 80 SERIES DIMENSIONS AND WEIGHTS AT 60 Hz, 2 POLES

PUMP TYPE NSCE..2	TYPE	DIMENSIONS (mm)																								WEIGHT kg		
		DNS	DND	a	b	g1	h1	h2	m1	m2	n1	n2	s1	W	A	AA	AB	AD	B	BB	H	HA	s2	B max	H max		L	x
65-125/75/P	A	80	65	100	65	16	160	180	125	95	280	212	14	307	-	-	-	191	-	-	-	-	-	300	351	569	100	85
65-125/92/P	A	80	65	100	65	16	160	180	125	95	280	212	14	345	-	-	-	191	-	-	-	-	-	300	351	607	100	91
65-125/110/P	A	80	65	100	65	16	160	180	125	95	280	212	14	345	-	-	-	191	-	-	-	-	-	300	351	607	100	94
65-160/150/P	B	80	65	100	65	16	160	200	125	95	280	212	14	208	254	49	304	240	210	304	160	5	15	335	400	694	108	146
65-160/185/P	B	80	65	100	65	16	160	200	125	95	280	212	14	208	254	49	304	240	254	304	160	5	15	335	400	694	108	157
65-160/220/P	B	80	65	100	65	16	160	200	125	95	280	212	14	208	254	49	304	240	254	304	160	5	15	335	400	694	108	166
65-200/220/P	B	80	65	100	65	16	180	225	125	95	320	250	14	208	254	49	304	240	254	304	160	5	15	348	420	694	118	169
80-160/185/P	B	100	80	125	65	16	180	225	125	95	320	250	14	208	254	49	304	240	254	304	160	5	15	340	420	719	122	163
80-160/220/P	B	100	80	125	65	16	180	225	125	95	320	250	14	208	254	49	304	240	254	304	160	5	15	340	420	719	122	172

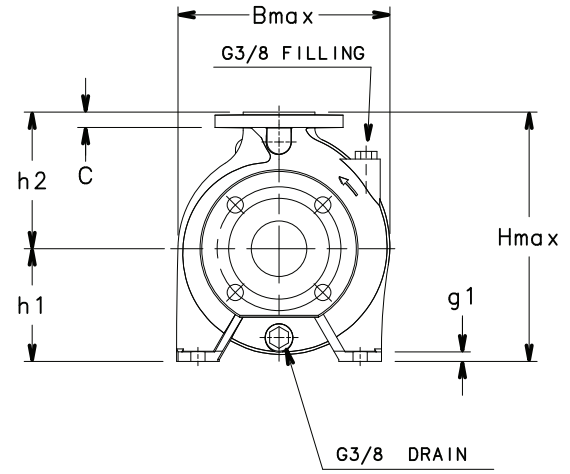
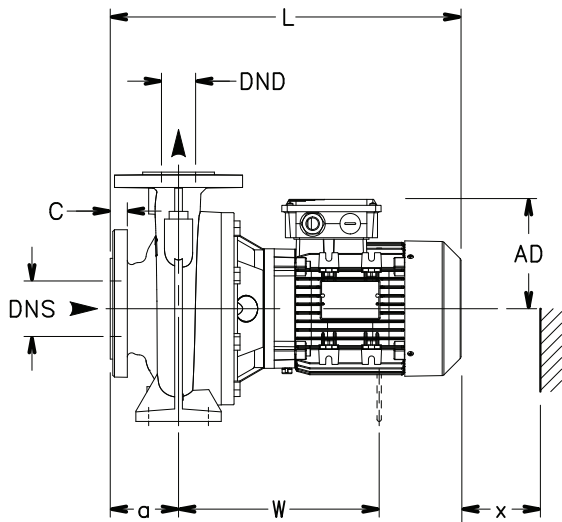
For shims and supports see accessories section.

nsce-65-80_2p60-en_a_ld

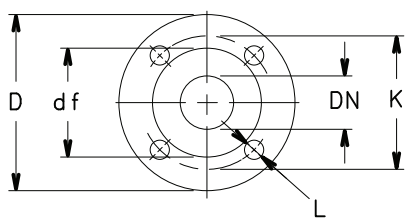
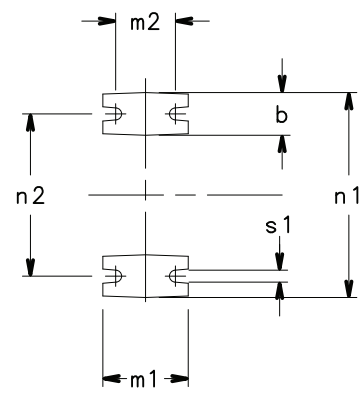
NOTE: Pumps with flanges according to EN 1092-2 as standard; available ASME B16.5 version on request.

**NSCE 32, 40, 50 SERIES
DIMENSIONS AND WEIGHTS AT 60 Hz, 4 POLES**

TYPE A



CLEARANCE FOR DISASSEMBLY



FLANGES

EN1092-2, PN 16 *)						ASME B16.5, Class 150 RF *)					
DN	D	K	C	df	L	DN	D	K	C	df	L
32	140	100	18	76	4x19	1 1/4	140	89	18	63.5	4x19
40	150	110	18	84	4x19	1 1/2	150	98.5	18	73	4x19
50	165	125	20	99	4x19	2	165	120.5	20	92	4x19
65	185	145	20	118	4x19	2 1/2	185	139.5	20	105	4x19

*)...VALUE "C" AND "D" MAY VARY FROM STANDARD.

A0010-EN_C_DD

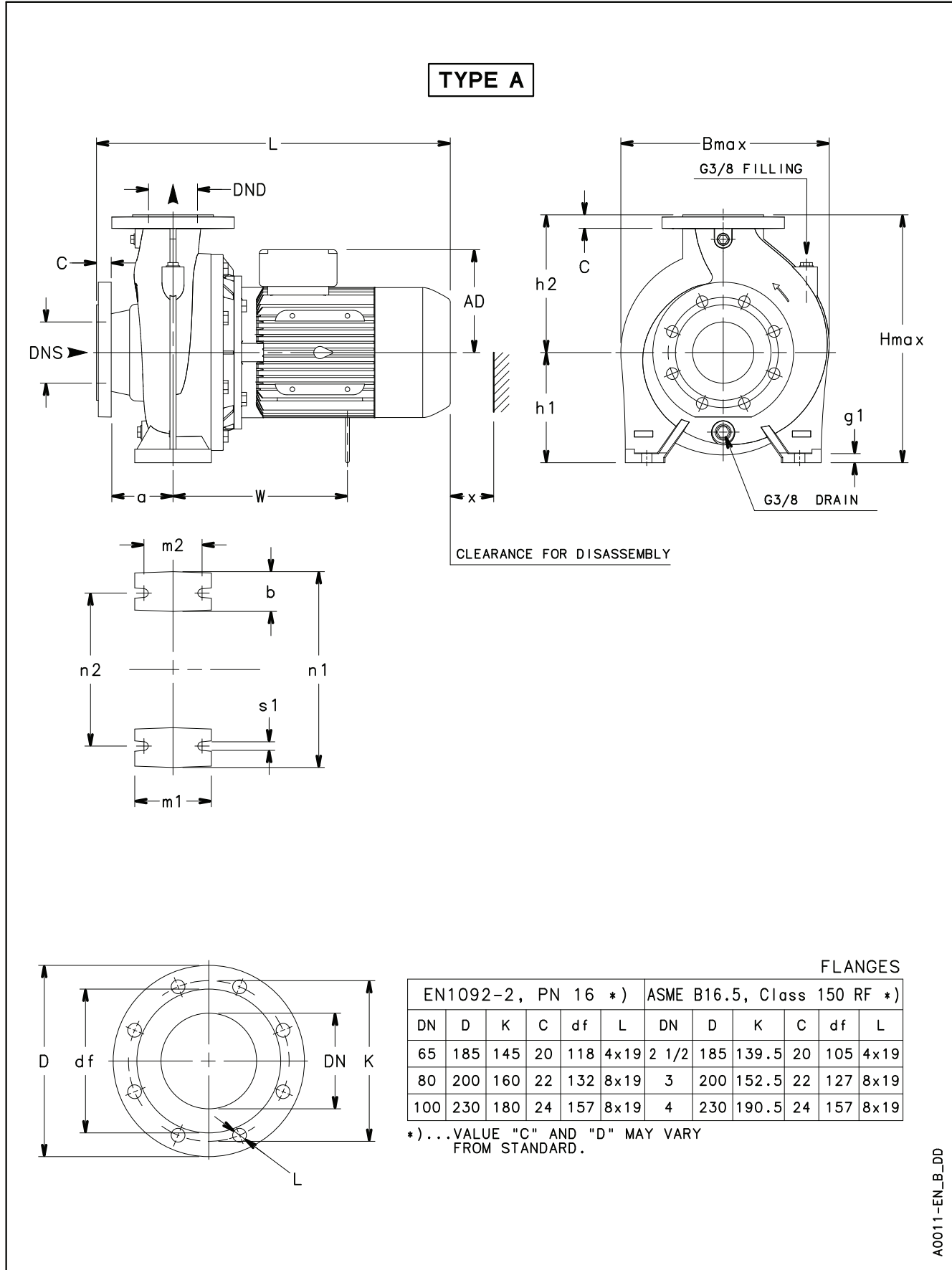
NSCE 32, 40, 50 SERIES DIMENSIONS AND WEIGHTS AT 60 Hz, 4 POLES

PUMP TYPE NSCE..4	TYPE	DIMENSIONS (mm)																		WEIGHT kg
		DNS	DND	a	AD	b	g1	h1	h2	m1	m2	n1	n2	s1	W	B max	H max	L	x	
32-125/02/X	A	50	32	80	110	50	14	112	140	100	70	190	140	14	-	242	252	393	86	25
32-125/03/X	A	50	32	80	110	50	14	112	140	100	70	190	140	14	-	242	252	393	86	26
32-125/05/X	A	50	32	80	128	50	14	112	140	100	70	190	140	14	-	242	252	411	86	28
32-125/07/X	A	50	32	80	128	50	14	112	140	100	70	190	140	14	-	242	252	411	86	32
32-160/05/X	A	50	32	80	128	50	14	132	160	100	70	240	190	14	-	248	292	411	86	29
32-160/07/X	A	50	32	80	128	50	14	132	160	100	70	240	190	14	-	248	292	411	86	33
32-160/11/P	A	50	32	80	134	50	14	132	160	100	70	240	190	14	-	248	292	478	86	39
32-200/11/P	A	50	32	80	134	50	14	160	180	100	70	240	190	14	-	286	340	478	86	42
32-200/15/P	A	50	32	80	134	50	14	160	180	100	70	240	190	14	-	286	340	478	86	46
32-250/22/P	A	50	32	100	168	65	16	180	225	125	95	320	250	14	-	343	405	522	95	74
32-250/30A/P	A	50	32	100	168	65	16	180	225	125	95	320	250	14	-	343	405	553	95	78
32-250/30/P	A	50	32	100	168	65	16	180	225	125	95	320	250	14	-	343	405	553	95	78
32-250/40/P	A	50	32	100	168	65	16	180	225	125	95	320	250	14	-	343	405	582	95	97
40-125/03/X	A	65	40	80	110	50	14	112	140	100	70	210	160	14	-	237	252	393	96	27
40-125/05/X	A	65	40	80	128	50	14	112	140	100	70	210	160	14	-	237	252	411	96	29
40-125/07/X	A	65	40	80	128	50	14	112	140	100	70	210	160	14	-	237	252	411	96	33
40-125/11/P	A	65	40	80	134	50	14	112	140	100	70	210	160	14	-	237	252	478	96	41
40-160/07/X	A	65	40	80	128	50	14	132	160	100	70	240	190	14	-	250	292	411	92	34
40-160/11/P	A	65	40	80	134	50	14	132	160	100	70	240	190	14	-	250	292	478	92	42
40-160/15A/P	A	65	40	80	134	50	14	132	160	100	70	240	190	14	-	250	292	478	92	44
40-160/15/P	A	65	40	80	134	50	14	132	160	100	70	240	190	14	-	250	292	478	92	44
40-200/15/P	A	65	40	100	134	50	14	160	180	100	70	265	212	14	-	290	340	498	90	46
40-250/22/P	A	65	40	100	168	65	16	180	225	125	95	320	250	14	-	338	405	522	104	70
40-250/30/P	A	65	40	100	168	65	16	180	225	125	95	320	250	14	-	338	405	553	104	74
40-250/40/P	A	65	40	100	168	65	16	180	225	125	95	320	250	14	-	338	405	582	104	93
40-250/55/P	A	65	40	100	191	65	16	180	225	125	95	320	250	14	-	338	405	605	104	96
50-125/07/X	A	65	50	100	128	50	14	132	160	100	70	240	190	14	-	255	292	433	107	36
50-125/11A/P	A	65	50	100	128	50	14	132	160	100	70	240	190	14	-	255	292	500	107	44
50-125/11/P	A	65	50	100	134	50	14	132	160	100	70	240	190	14	-	255	292	500	107	44
50-125/15/P	A	65	50	100	134	50	14	132	160	100	70	240	190	14	-	255	292	500	107	46
50-160/11/P	A	65	50	100	134	50	14	160	180	100	70	265	212	14	-	289	340	498	103	47
50-160/15/P	A	65	50	100	134	50	14	160	180	100	70	265	212	14	-	289	340	498	103	49
50-200/22/P	A	65	50	100	168	50	14	160	200	100	70	265	212	14	-	305	360	522	98	62
50-200/30A/P	A	65	50	100	168	50	14	160	200	100	70	265	212	14	-	305	360	553	98	66
50-200/30/P	A	65	50	100	168	50	14	160	200	100	70	265	212	14	-	305	360	553	98	66
50-200/40/P	A	65	50	100	168	50	14	160	200	100	70	265	212	14	-	305	360	582	98	83
50-250/40/P	A	65	50	100	168	65	16	180	225	125	95	320	250	14	-	358	405	582	110	99
50-250/55/P	A	65	50	100	191	65	16	180	225	125	95	320	250	14	-	358	405	605	110	102
50-250/75/P	A	65	50	100	191	65	16	180	225	125	95	320	250	14	-	358	405	605	110	106

NOTE: Pumps with flanges according to EN 1092-2 as standard; available ASME B16.5 version on request.

nsce-32-40-50-4p60-en_b_td

**NSCE 65, 80 SERIES
DIMENSIONS AND WEIGHTS AT 60 Hz, 4 POLES**



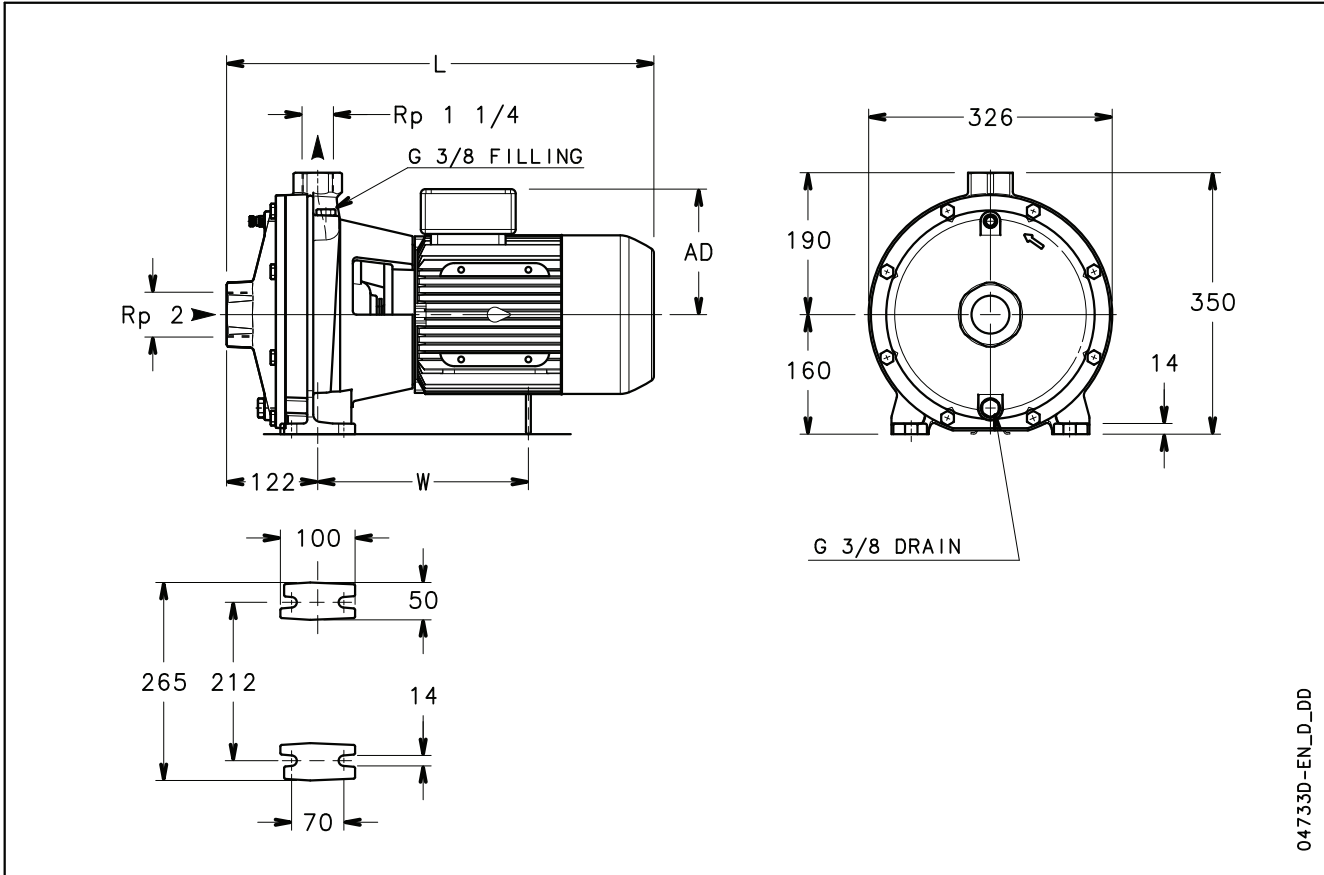
NSCE 65, 80 SERIES DIMENSIONS AND WEIGHTS AT 60 Hz, 4 POLES

PUMP TYPE NSCE..4	TYPE	DIMENSIONS (mm)																		WEIGHT kg
		DNS	DND	a	AD	b	g1	h1	h2	m1	m2	n1	n2	s1	W	B max	H max	L	x	
65-125/11A/P	A	80	65	100	134	65	16	160	180	125	95	280	212	14	247	300	340	500	100	49
65-125/11/P	A	80	65	100	134	65	16	160	180	125	95	280	212	14	247	300	340	500	100	49
65-125/15/P	A	80	65	100	134	65	16	160	180	125	95	280	212	14	247	300	340	500	100	53
65-160/22A/P	A	80	65	100	168	65	16	160	200	125	95	280	212	14	285	335	360	522	108	75
65-160/22/P	A	80	65	100	168	65	16	160	200	125	95	280	212	14	285	335	360	522	108	75
65-160/30/P	A	80	65	100	168	65	16	160	200	125	95	280	212	14	285	335	360	553	108	79
65-160/40/P	A	80	65	100	168	65	16	160	200	125	95	280	212	14	345	335	360	582	108	98
65-200/30/P	A	80	65	100	168	65	16	180	225	125	95	320	250	14	285	348	405	553	118	82
65-200/40/P	A	80	65	100	168	65	16	180	225	125	95	320	250	14	345	348	405	582	118	101
65-200/55A/P	A	80	65	100	191	65	16	180	225	125	95	320	250	14	343	348	405	605	118	104
65-200/55/P	A	80	65	100	191	65	16	180	225	125	95	320	250	14	343	348	405	605	118	104
65-200/75/P	A	80	65	100	191	65	16	180	225	125	95	320	250	14	343	348	405	605	118	106
80-160/22/P	A	100	80	125	168	65	16	180	225	125	95	320	250	14	285	340	405	547	122	81
80-160/30/P	A	100	80	125	168	65	16	180	225	125	95	320	250	14	285	340	405	578	122	85
80-160/40/P	A	100	80	125	168	65	16	180	225	125	95	320	250	14	345	340	405	607	122	104
80-160/55/P	A	100	80	125	191	65	16	180	225	125	95	320	250	14	343	340	405	630	122	107

NOTE: Pumps with flanges according to EN 1092-2 as standard; available ASME B16.5 version on request.

nsce-65-80-4p60-en_a_td

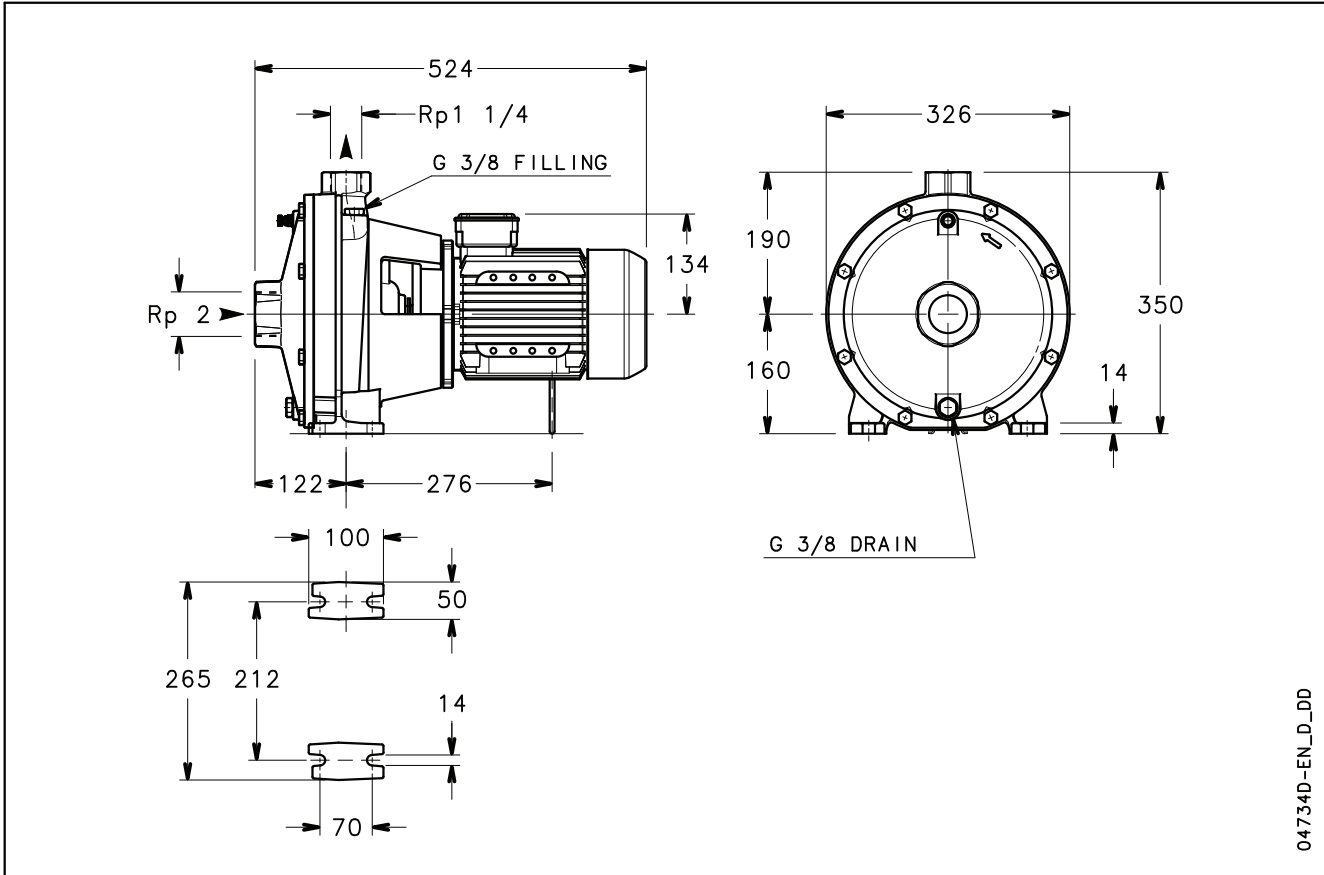
**NSC2 SERIES
DIMENSIONS AND WEIGHTS AT 60 Hz, 2 POLES**



PUMP TYPE	DIMENSIONS (mm)			WEIGHT
	L	W	AD	kg
NSC2 32-250/55/P	572	282	168	74
NSC2 32-250/75/P	607	323	191	90

Nsc2-2p60-en_a_td

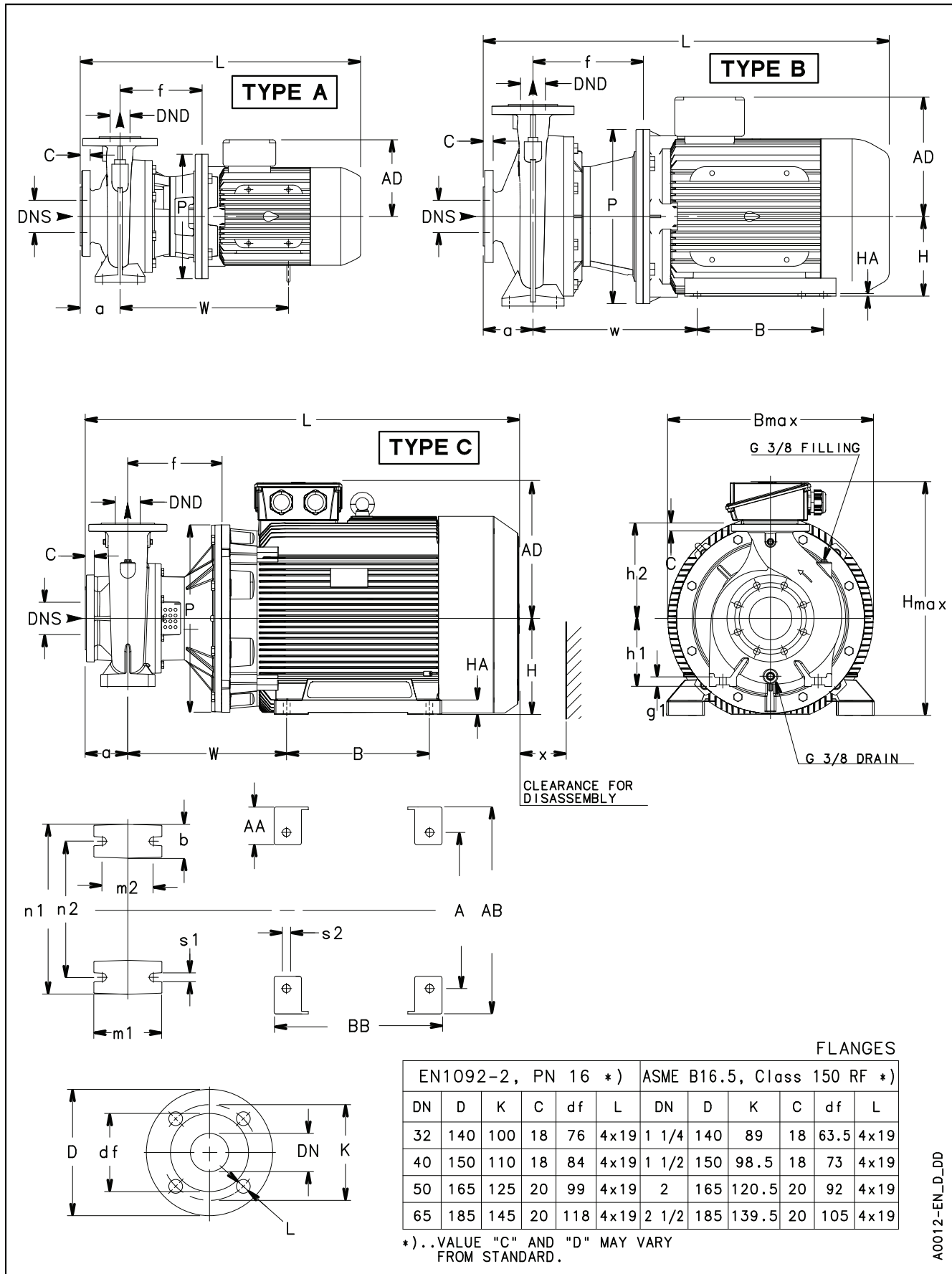
**NSC2 SERIES
DIMENSIONS AND WEIGHTS AT 60 Hz, 4 POLES**



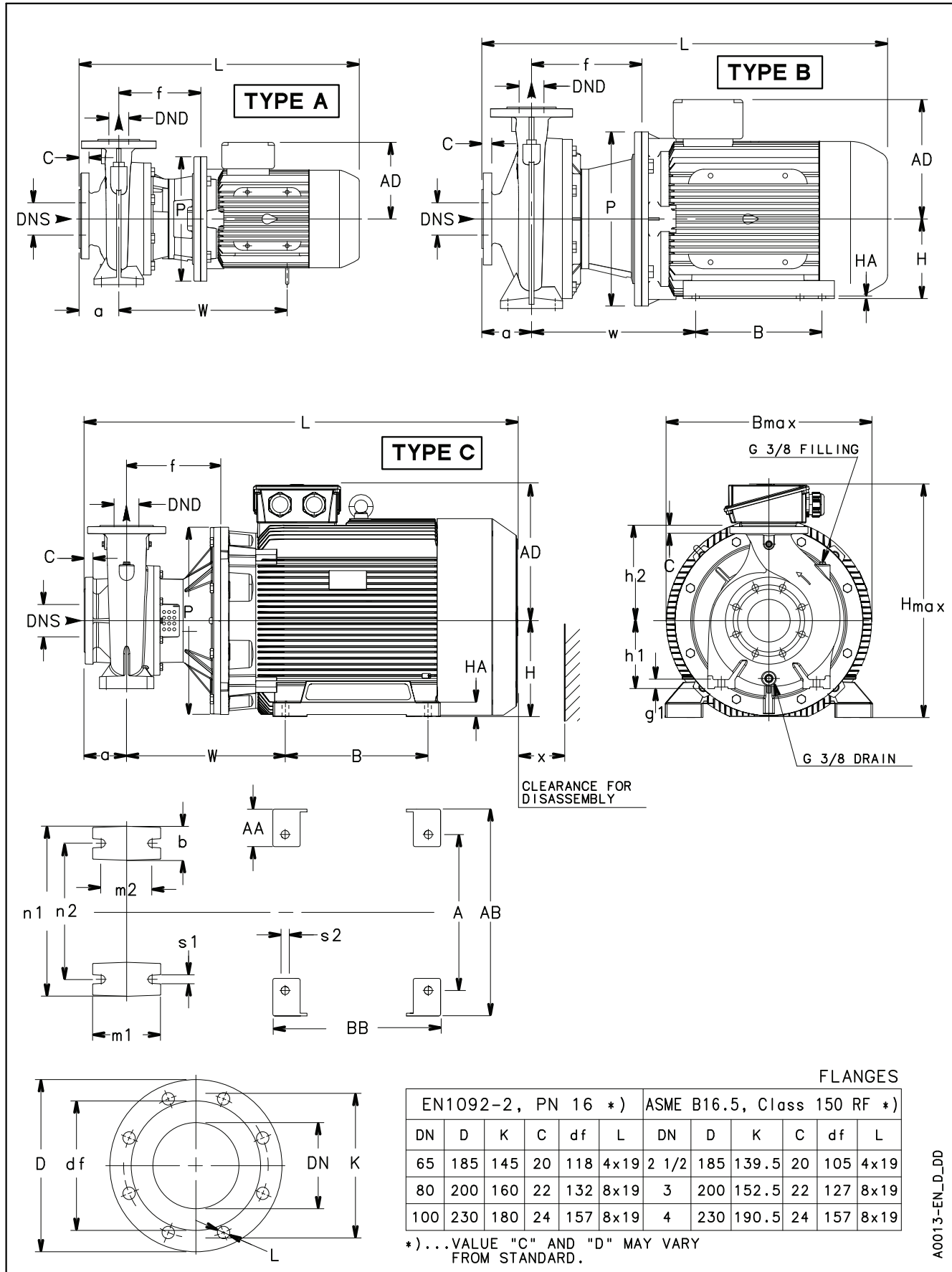
PUMP TYPE	WEIGHT kg
NSC2 32-250/11A/P	53
NSC2 32-250/11/P	55

Nsc2-4p60-en_b_td

**NSCS 32, 40, 50 SERIES
DIMENSIONS AND WEIGHTS AT 60 Hz, 2 POLES**



**NSCS 65, 80 SERIES
DIMENSIONS AND WEIGHTS AT 60 Hz, 2 POLES**



NSCS 65, 80 SERIES DIMENSIONS AND WEIGHTS AT 60 Hz, 2 POLES

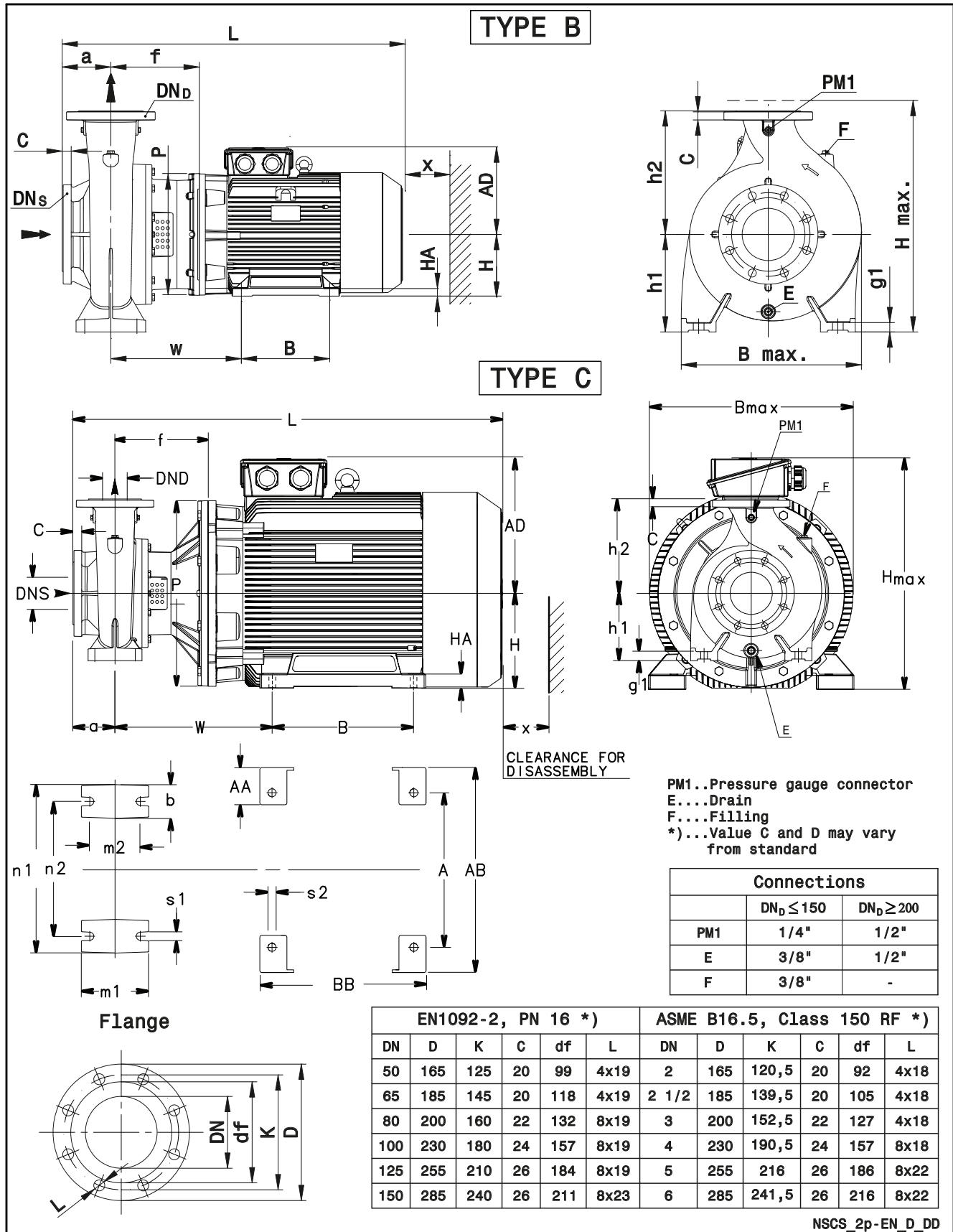
PUMP TYPE NSCS..2	TYPE	DIMENSIONS (mm)																												WEIGHT kg
		PUMP														MOTOR														
		DNS	DND	a	b	f	g1	h1	h2	m1	m2	n1	n2	P	s1	W	A	AA	AB	AD	B	BB	H	HA	s2	B max	H max	L	x	
65-125/75/P	A	80	65	100	65	194	16	160	180	125	95	280	212	300	14	401	-	-	-	191	-	-	-	-	-	300	351	661	100	99
65-125/110A/P	B	80	65	100	65	224	16	160	180	125	95	280	212	350	14	332	254	49	304	240	210	304	160	5	15	350	415	818	100	116
65-125/110/P	B	80	65	100	65	224	16	160	180	125	95	280	212	350	14	332	254	49	304	240	210	304	160	5	15	350	415	818	100	116
65-160/150/P	B	80	65	100	65	222	16	160	200	125	95	280	212	350	14	330	254	49	304	240	210	304	160	5	15	350	415	816	108	156
65-160/185/P	B	80	65	100	65	222	16	160	200	125	95	280	212	350	14	330	254	49	304	240	254	304	160	5	15	350	415	816	108	165
65-160/220/P	B	80	65	100	65	222	16	160	200	125	95	280	212	350	14	330	254	49	304	240	254	304	160	5	15	350	415	816	108	176
65-160/300/L	C	80	65	100	65	228	16	160	200	125	95	280	212	400	14	361	318	69	408	285	305	355	200	27	18	408	517	999	108	250
65-200/220/P	B	80	65	100	65	222	16	180	225	125	95	320	250	350	14	330	254	49	304	240	254	304	160	5	15	350	420	816	118	179
65-200/300/L	C	80	65	100	65	228	16	180	225	125	95	320	250	400	14	361	318	69	408	285	305	355	200	27	18	408	517	999	118	253
65-200/370/L	C	80	65	100	65	228	16	180	225	125	95	320	250	400	14	361	318	69	408	285	305	355	200	27	15	408	517	999	118	267
65-250/450/L	C	80	65	100	80	246	21	200	250	160	120	360	280	450	20	395	356	84	470	309	311	361	225	30	18	470	609	1046	130	375
65-250/550/L	C	80	65	100	80	276	21	200	250	160	120	360	280	550	20	444	406	100	516	362	349	421	250	36	24	550	677	1142	130	560
65-250/750/L	C	80	65	100	80	276	21	200	250	160	120	360	280	550	20	466	457	110	606	400	368	440	280	44	24	606	752	1247	130	721
65-315/750/L	C	80	65	125	80	276	20	225	280	160	120	400	315	550	19	466	457	110	606	400	368	440	280	44	24	606	752	1272	140	622
65-315/900/L	C	80	65	125	80	276	20	225	280	160	120	400	315	550	19	466	457	110	606	400	419	491	280	44	24	606	752	1272	140	749
80-160/185/P	B	100	80	125	65	222	16	180	225	125	95	320	250	350	14	330	254	49	304	240	254	304	160	5	15	350	420	841	122	171
80-160/220/P	B	100	80	125	65	222	16	180	225	125	95	320	250	350	14	330	254	49	304	240	254	304	160	5	15	350	420	841	122	182
80-160/300/L	C	100	80	125	65	228	16	180	225	125	95	320	250	400	14	361	318	69	408	285	305	355	200	27	18	408	517	1024	122	256
80-160/370/L	C	100	80	125	65	228	16	180	225	125	95	320	250	400	14	361	318	69	408	285	305	355	200	27	18	408	517	1024	122	270
80-200/450/L	C	100	80	125	65	246	16	180	250	125	95	345	280	450	14	395	356	84	470	309	311	361	225	30	18	470	609	1071	151	377
80-200/550/L	C	100	80	125	65	276	16	180	250	125	95	345	280	550	14	444	406	100	516	362	349	421	250	36	24	550	677	1167	151	562
80-200/750/L	C	100	80	125	65	276	16	180	250	125	95	345	280	550	14	466	457	110	606	400	368	440	280	44	24	606	752	1272	151	723
80-250/550/L	C	100	80	125	80	276	21	200	280	160	120	400	315	550	20	444	406	100	516	362	349	421	250	36	24	550	677	1167	152	565
80-250/750/L	C	100	80	125	80	276	21	200	280	160	120	400	315	550	20	466	457	110	606	400	368	440	280	44	24	606	752	1272	152	726

For shims and supports see accessories section.

nscs-65-80_2p60-en_b_ld

NOTE: Pumps with flanges according to EN 1092-2 as standard; available ASME B16.5 version on request.

NSCS 100, 125 SERIES
DIMENSIONS AND WEIGHTS AT 60 Hz, 2 POLES



NSCS_2p-EN_D_DD

NSCS 100, 125 SERIES DIMENSIONS AND WEIGHTS AT 60 Hz, 2 POLES

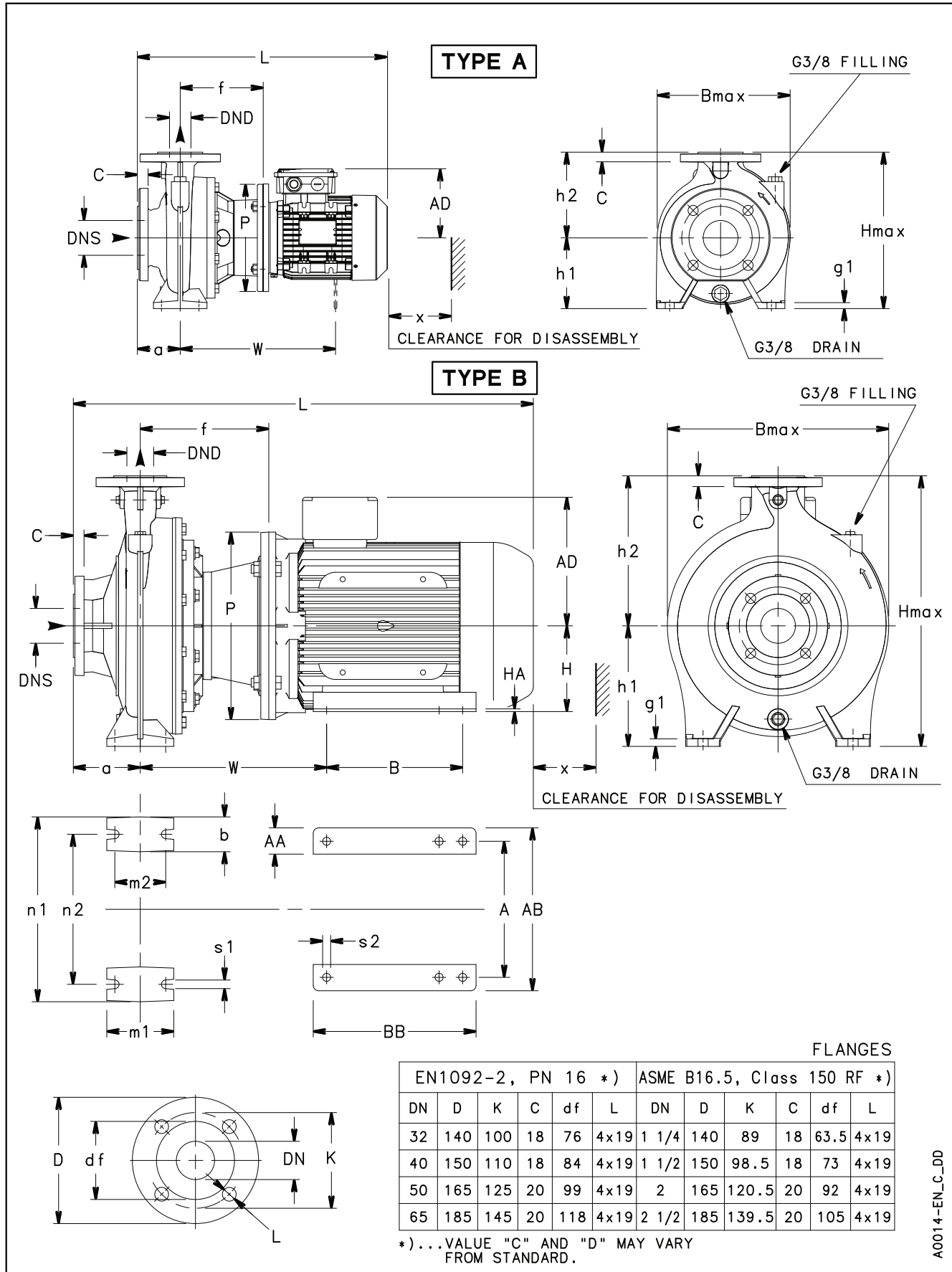
PUMP TYPE NSCS.2	TYPE	DIMENSIONS (mm)																												WEIGHT (kg) G
		PUMP														MOTOR														
		DNS	DND	a	b	f	g1	h1	h2	m1	m2	n1	n2	P	s1	W	A	AA	AB	AD	B	BB	H	HA	s2	B max	H max	L	x	
100-160/300/L	B	125	100	125	80	246	26	200	280	160	120	360	280	400	19	379	318	69	408	285	305	355	200	27	19	408	517	1042	140	275
100-160/370/L	B	125	100	125	80	246	26	200	280	160	120	360	280	400	19	379	318	69	408	285	305	355	200	27	19	408	517	1042	140	299
100-160/450/L	C	125	100	125	80	246	26	200	280	160	120	360	280	450	19	395	356	84	470	309	311	361	225	30	19	470	609	1071	140	364
100-160/550/L	C	125	100	125	80	276	26	200	280	160	120	360	280	550	19	444	406	100	516	362	349	421	250	36	24	550	682	1167	140	511
100-200/550/L	C	125	100	125	80	276	26	200	280	160	120	360	280	550	19	444	406	100	516	362	349	421	250	36	24	550	682	1167	140	510
100-200/750/L	C	125	100	125	80	276	26	200	280	160	120	360	280	550	19	466	457	110	606	400	368	440	280	44	24	606	752	1272	140	608
100-200/900/L	C	125	100	125	80	276	26	200	280	160	120	360	280	550	19	466	457	110	606	400	419	491	280	44	24	606	752	1272	140	735
100-250/900/L	C	125	100	140	80	276	26	225	280	160	120	400	315	550	19	466	457	110	606	400	419	491	280	44	24	606	752	1287	140	746
125-200/750/L	C	150	125	140	80	276	26	250	315	160	120	400	315	550	19	466	457	110	606	400	368	440	280	44	24	606	752	1287	140	635
125-200/900/L	C	150	125	140	80	276	26	250	315	160	120	400	315	550	19	466	457	110	606	400	419	491	280	44	24	606	752	1287	140	762

For shims and supports see accessories section.

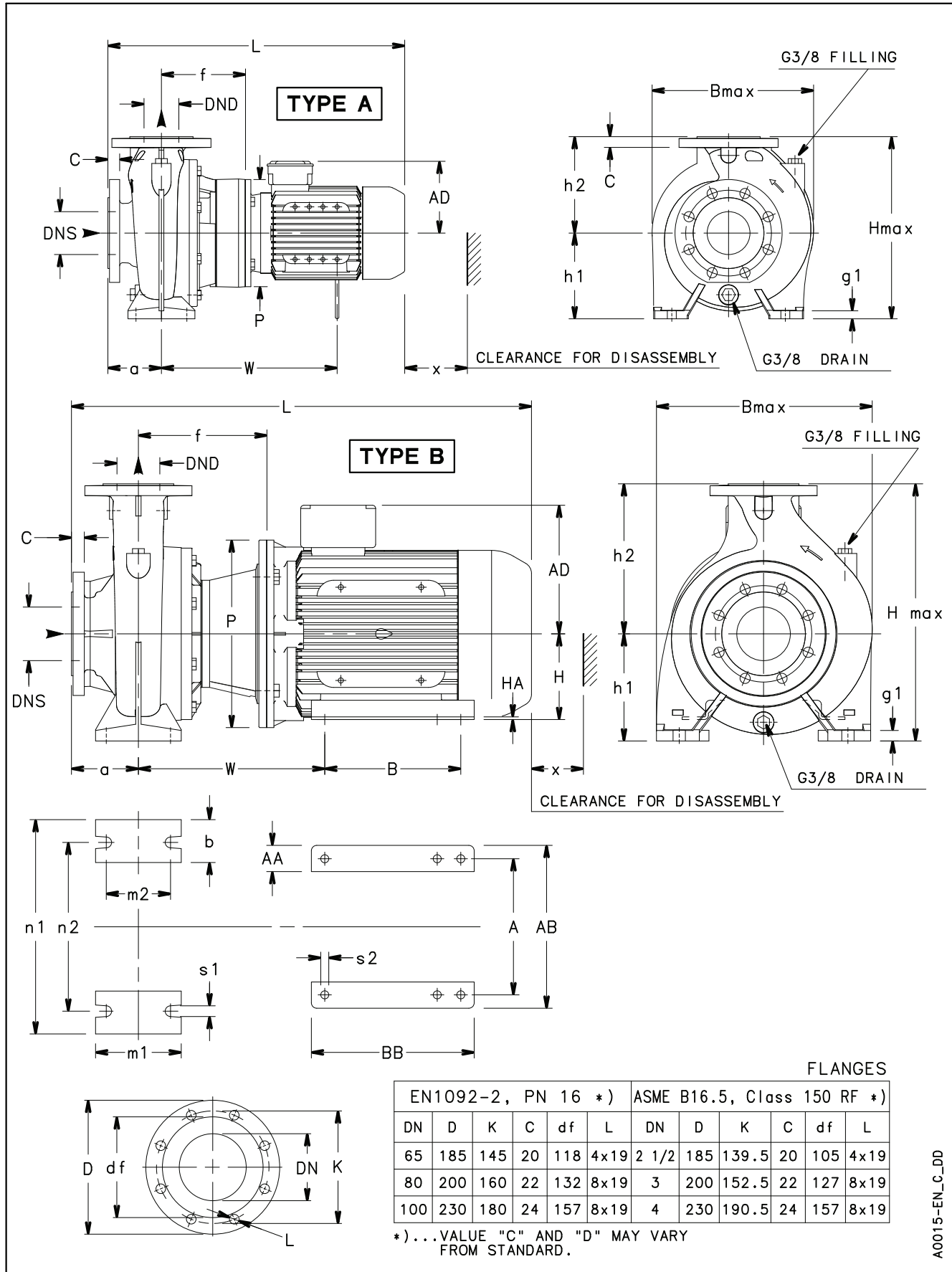
Nscs-100-125_2p60-en_b_td

NOTE: Pumps with flanges according to EN 1092-2 as standard; available ASME B16.5 version on request.

NSCS 32, 40, 50 SERIES
DIMENSIONS AND WEIGHTS AT 60 Hz, 4 POLES



NSCS 65, 80 SERIES
DIMENSIONS AND WEIGHTS AT 60 Hz, 4 POLES



NSCS 65, 80 SERIES DIMENSIONS AND WEIGHTS AT 60 Hz, 4 POLES

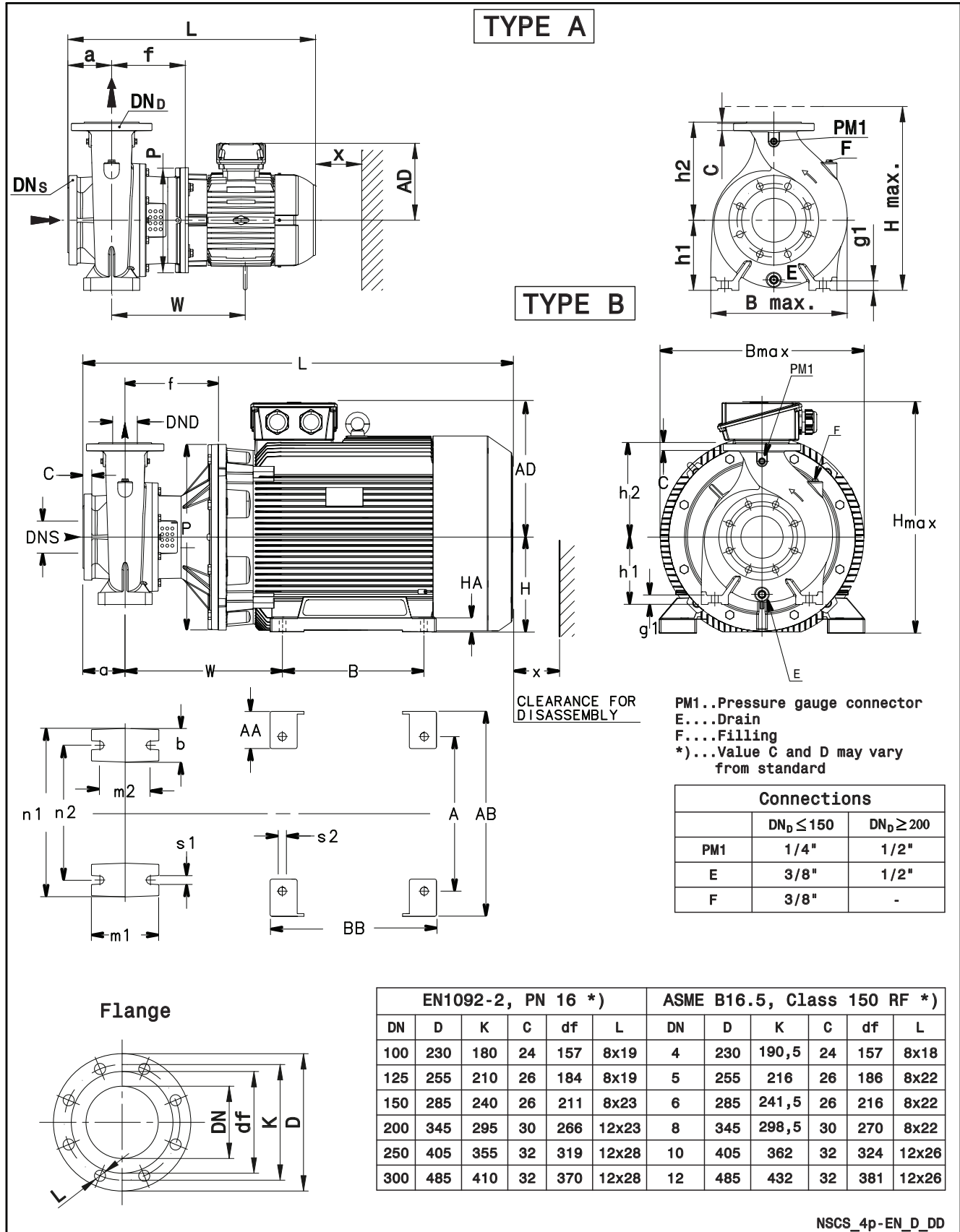
PUMP TYPE NSCS..4	TYPE	DIMENSIONS (mm)																												WEIGHT kg
		PUMP															MOTOR													
		DNS	DND	a	b	f	g1	h1	h2	m1	m2	n1	n2	P	s1	W	A	AA	AB	AD	B	BB	H	HA	s2	B max	H max	L	x	
65-125/11A/P	A	80	65	100	65	157	16	160	180	125	95	280	212	200	14	302	-	-	-	134	-	-	-	-	-	300	340	555	100	52
65-125/11/P	A	80	65	100	65	157	16	160	180	125	95	280	212	200	14	302	-	-	-	134	-	-	-	-	-	300	340	555	100	52
65-125/15/P	A	80	65	100	65	157	16	160	180	125	95	280	212	200	14	302	-	-	-	134	-	-	-	-	-	300	340	555	100	56
65-125/22/P	A	80	65	100	65	167	16	160	180	125	95	280	212	250	14	352	-	-	-	168	-	-	-	-	-	300	340	589	100	67
65-160/22A/P	A	80	65	100	65	165	16	160	200	125	95	280	212	250	14	350	-	-	-	168	-	-	-	-	-	335	360	587	108	79
65-160/22/P	A	80	65	100	65	165	16	160	200	125	95	280	212	250	14	350	-	-	-	168	-	-	-	-	-	335	360	587	108	79
65-160/30/P	A	80	65	100	65	165	16	160	200	125	95	280	212	250	14	350	-	-	-	168	-	-	-	-	-	335	360	618	108	83
65-160/40/P	A	80	65	100	65	165	16	160	200	125	95	280	212	250	14	410	-	-	-	168	-	-	-	-	-	335	360	647	108	102
65-200/30/P	A	80	65	100	65	165	16	180	225	125	95	320	250	250	14	350	-	-	-	168	-	-	-	-	-	348	405	618	118	86
65-200/40/P	A	80	65	100	65	165	16	180	225	125	95	320	250	250	14	410	-	-	-	168	-	-	-	-	-	348	405	647	118	105
65-200/55A/P	A	80	65	100	65	192	16	180	225	125	95	320	250	300	14	435	-	-	-	191	-	-	-	-	-	348	405	697	118	116
65-200/55/P	A	80	65	100	65	192	16	180	225	125	95	320	250	300	14	435	-	-	-	191	-	-	-	-	-	348	405	697	118	116
65-200/75/P	A	80	65	100	65	192	16	180	225	125	95	320	250	300	14	435	-	-	-	191	-	-	-	-	-	348	405	697	118	120
65-250/110A/P	B	80	65	100	80	240	21	200	250	160	120	360	280	350	20	348	254	49	304	240	210	304	160	5	15	367	450	834	130	192
65-250/110/P	B	80	65	100	80	240	21	200	250	160	120	360	280	350	20	348	254	49	304	240	210	304	160	5	15	367	450	834	130	192
65-315/110/P	B	80	65	125	80	240	20	225	280	160	120	400	315	350	19	348	254	49	304	240	210	304	160	5	15	437	505	859	140	217
65-315/150/P	B	80	65	125	80	240	20	225	280	160	120	400	315	350	19	348	254	49	304	240	254	304	160	5	15	437	505	859	140	221
65-315/185/L	B	80	65	125	80	240	20	225	280	160	120	400	315	350	19	361	279	64	364	253	241	286	180	22	15	437	505	956	140	222
65-315/220/L	B	80	65	125	80	240	20	225	280	160	120	400	315	350	19	361	279	64	364	253	279	324	180	22	15	437	505	956	140	237
80-160/22/P	A	100	80	125	65	165	16	180	225	125	95	320	250	250	14	350	-	-	-	168	-	-	-	-	-	340	405	612	122	85
80-160/30/P	A	100	80	125	65	165	16	180	225	125	95	320	250	250	14	350	-	-	-	168	-	-	-	-	-	340	405	643	122	89
80-160/40/P	A	100	80	125	65	165	16	180	225	125	95	320	250	250	14	410	-	-	-	168	-	-	-	-	-	340	405	672	122	108
80-160/55/P	A	100	80	125	65	192	16	180	225	125	95	320	250	300	14	435	-	-	-	191	-	-	-	-	-	340	405	722	122	119
80-200/55/P	A	100	80	125	65	210	16	180	250	125	95	345	280	300	14	453	-	-	-	191	-	-	-	-	-	358	430	740	151	126
80-200/75/P	A	100	80	125	65	210	16	180	250	125	95	345	280	300	14	453	-	-	-	191	-	-	-	-	-	358	430	740	151	130
80-200/110/P	B	100	80	125	65	240	16	180	250	125	95	345	280	350	14	348	254	49	304	240	210	304	160	5	15	358	430	859	151	194
80-250/75/P	A	100	80	125	80	240	21	200	280	160	120	400	315	300	20	453	-	-	-	191	-	-	-	-	-	400	480	740	152	133
80-250/110A/P	B	100	80	125	80	240	21	200	280	160	120	400	315	350	20	348	254	49	304	240	210	304	160	5	15	400	480	859	152	197
80-250/110/P	B	100	80	125	80	240	21	200	280	160	120	400	315	350	20	348	254	49	304	240	210	304	160	5	15	400	480	859	152	197
80-250/150/P	B	100	80	125	80	240	21	200	280	160	120	400	315	350	20	348	254	49	304	240	254	304	160	5	15	400	480	859	152	201
80-315/150/P	B	100	80	125	80	240	26	250	315	160	120	400	315	350	19	348	254	49	304	240	254	304	160	5	15	477	565	859	140	234
80-315/185/L	B	100	80	125	80	240	26	250	315	160	120	400	315	350	19	361	279	64	364	253	241	286	180	22	15	477	565	956	140	235
80-315/220/L	B	100	80	125	80	240	26	250	315	160	120	400	315	350	19	361	279	64	364	253	279	324	180	22	15	477	565	956	140	250
80-315/300/L	B	100	80	125	80	246	26	250	315	160	120	400	315	400	19	379	318	69	408	285	305	355	200	27	19	477	567	1042	140	302
80-400/370/L	B	100	80	125	80	284	26	280	355	160	120	435	355	450	19	433	356	84	470	309	286	336	225	30	19	539	664	1109	140	405
80-400/450/L	B	100	80	125	80	284	26	280	355	160	120	435	355	450	19	433	356	84	470	309	311	361	225	30	19	539	664	1109	140	444
80-400/550/L	B	100	80	125	80	284	26	280	355	160	120	435	355	550	19	452	406	100	516	362	349	421	250	36	24	550	682	1175	140	563
80-400/750/L	B	100	80	125	80	284	26	280	355	160	120	435	355	550	19	474	457	110	606	400	368	440	280	44	24	606	752	1280	140	640

For shims and supports see accessories section.

Nscs-65-80-4p60-en_b_ld

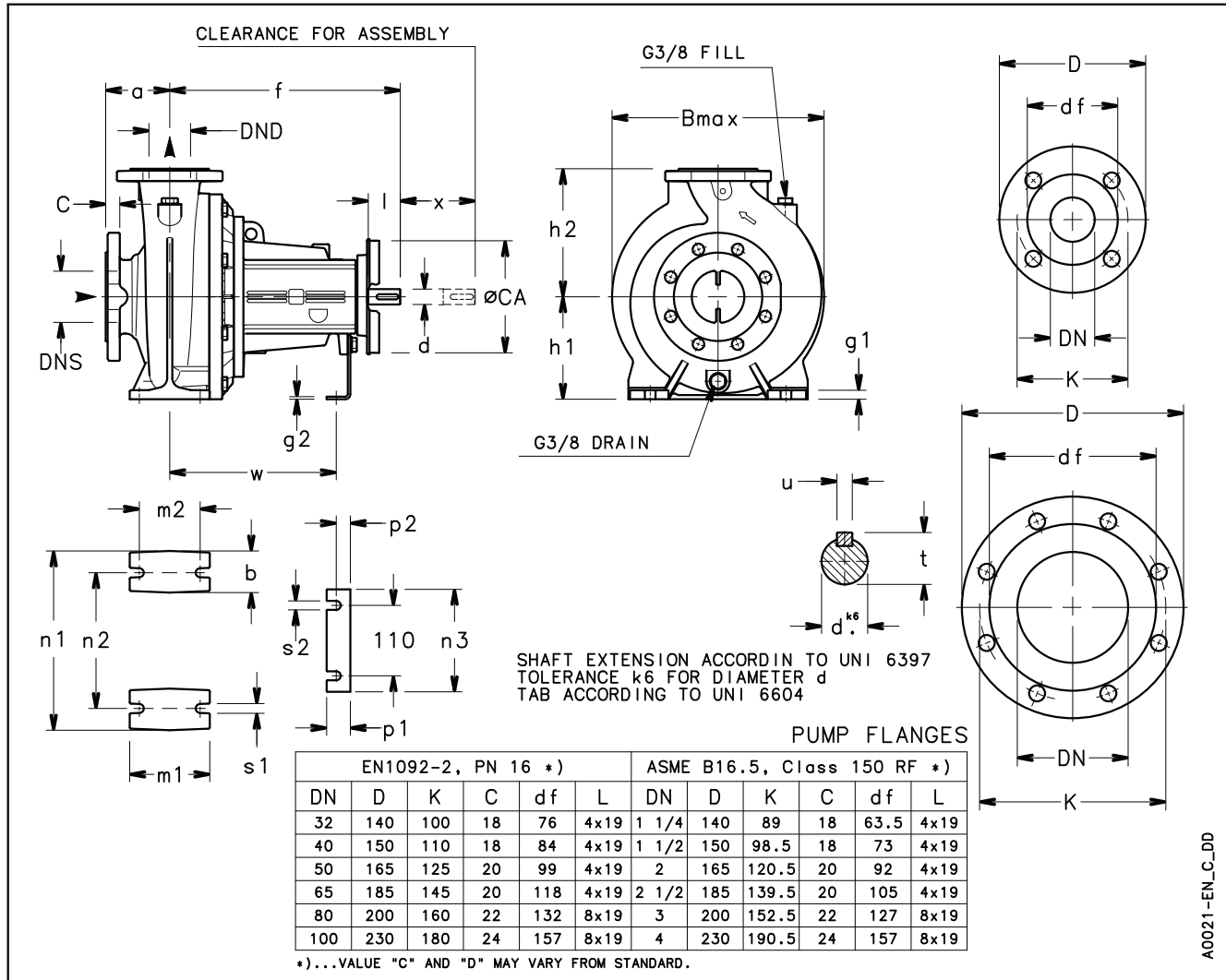
NOTE: Pumps with flanges according to EN 1092-2 as standard; available ASME B16.5 version on request.

**NSCS 100, 125, 150, 200, 250 SERIES
DIMENSIONS AND WEIGHTS AT 60 Hz, 4 POLES**



NSCS_4p-EN_D_DD

**NSC 32, 40, 50, 65, 80 SERIES
DIMENSIONS AND WEIGHTS (BARE SHAFT)**



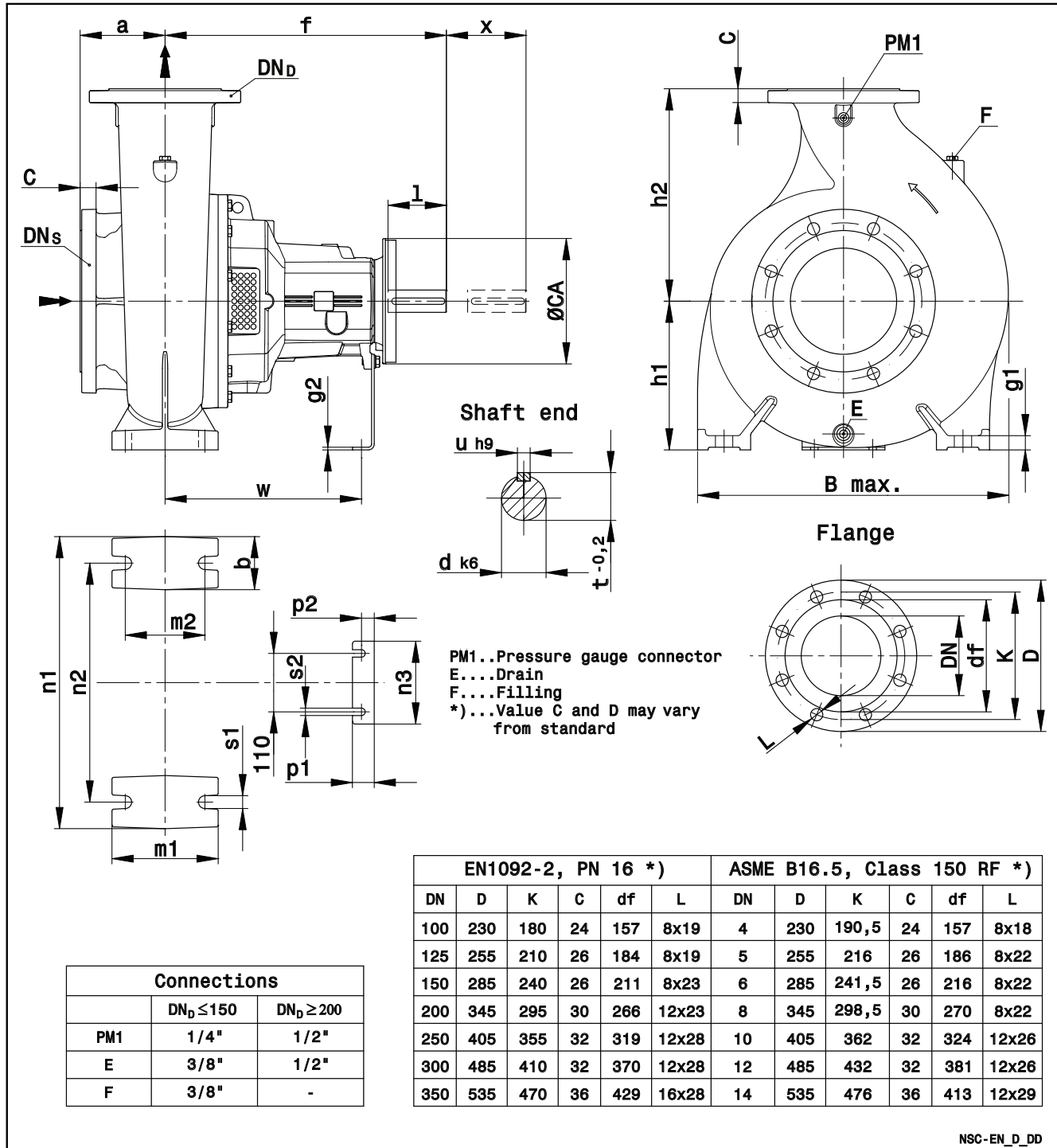
NSC 32, 40, 50, 65, 80 SERIES DIMENSIONS AND WEIGHTS (BARE SHAFT)

PUMP TYPE NSC (BARE SHAFT)	DIMENSIONS (mm)																												WEIGHT kg
	PUMP																				SHAFT					B max	x		
	DNS	DND	a	b	f	g1	g2	h1	h2	m1	m2	n1	n2	n3	p1	p2	s1	s2	W	ØCA	d	l	t	u					
32-125	50	32	80	50	360	12	4	112	140	100	70	190	140	160	37	22	14	14	260	160	24	50	27	8	239	100	30		
32-160	50	32	80	50	360	12	4	132	160	100	70	240	190	160	37	22	14	14	260	160	24	50	27	8	250	100	31		
32-200	50	32	80	50	360	12	4	160	180	100	70	240	190	160	37	22	14	14	260	160	24	50	27	8	286	100	38		
32-250	50	32	100	65	360	16	4	180	225	125	95	320	250	160	37	22	14	14	260	175	24	50	27	8	343	100	59		
40-125	65	40	80	50	360	12	4	112	140	100	70	210	160	160	37	22	14	14	260	160	24	50	27	8	240	100	31		
40-160	65	40	80	50	360	12	4	132	160	100	70	240	190	160	37	22	14	14	260	160	24	50	27	8	253	100	32		
40-200	65	40	100	50	360	12	4	160	180	100	70	265	212	160	37	22	14	14	260	160	24	50	27	8	294	100	40		
40-250	65	40	100	65	360	16	4	180	225	125	95	320	250	160	37	22	14	14	260	175	24	50	27	8	343	100	60		
50-125	65	50	100	50	360	12	4	132	160	100	70	240	190	160	37	22	14	14	260	160	24	50	27	8	258	100	34		
50-160	65	50	100	50	360	12	4	160	180	100	70	265	212	160	37	22	14	14	260	160	24	50	27	8	290	100	41		
50-200	65	50	100	50	360	12	4	160	200	100	70	265	212	160	37	22	14	14	260	160	24	50	27	8	303	100	42		
50-250	65	50	100	65	360	16	4	180	225	125	95	320	250	160	37	22	14	14	260	175	24	50	27	8	361	100	61		
50-315	65	50	125	65	470	14	5	225	280	125	95	345	280	156	41	24	15	14	340	190	32	80	35	10	414	140	94		
65-125	80	65	100	65	360	16	4	160	180	125	95	280	212	160	37	22	14	14	260	160	24	50	27	8	305	100	45		
65-160	80	65	100	65	360	16	4	160	200	125	95	280	212	160	37	22	14	14	260	175	24	50	27	8	338	100	60		
65-200	80	65	100	65	360	16	4	180	225	125	95	320	250	160	37	22	14	14	260	175	24	50	27	8	350	140	63		
65-250	80	65	100	80	470	21	4	200	250	160	120	360	280	160	37	22	20	14	340	190	32	80	35	10	375	140	81		
65-315	80	65	125	80	470	20	5	225	280	160	120	400	315	156	41	24	19	14	340	190	32	80	35	10	437	140	102		
80-160	100	80	125	65	360	16	4	180	225	125	95	320	250	160	37	22	14	14	260	160	24	50	27	8	343	140	66		
80-200	100	80	125	65	470	16	4	180	250	125	95	345	280	160	37	22	14	14	340	190	32	80	35	10	365	140	83		
80-250	100	80	125	80	470	21	4	200	280	160	120	400	315	160	37	22	20	14	340	190	32	80	35	10	405	140	86		
80-315	100	80	125	80	470	26	5	250	315	160	120	400	315	156	41	24	19	14	340	190	32	80	35	10	478	140	118		
80-400	100	80	125	80	530	26	5	280	355	160	120	435	355	156	41	24	19	14	370	230	42	110	45	12	540	140	154		

NOTE: Pumps with flanges according to EN 1092-2 as standard; available ASME B16.5 version on request.

Nsc32-80bs_60-en_a_ld

**NSC 100, 125, 150, 200, 250, 300 SERIES
DIMENSIONS AND WEIGHTS (BARE SHAFT)**



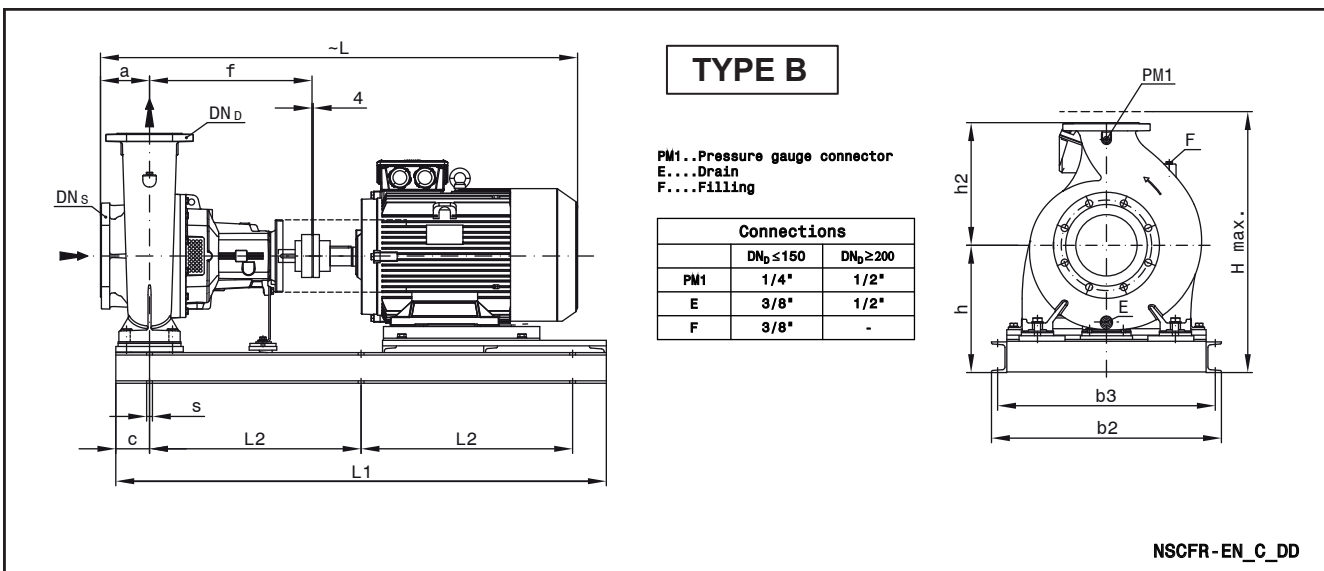
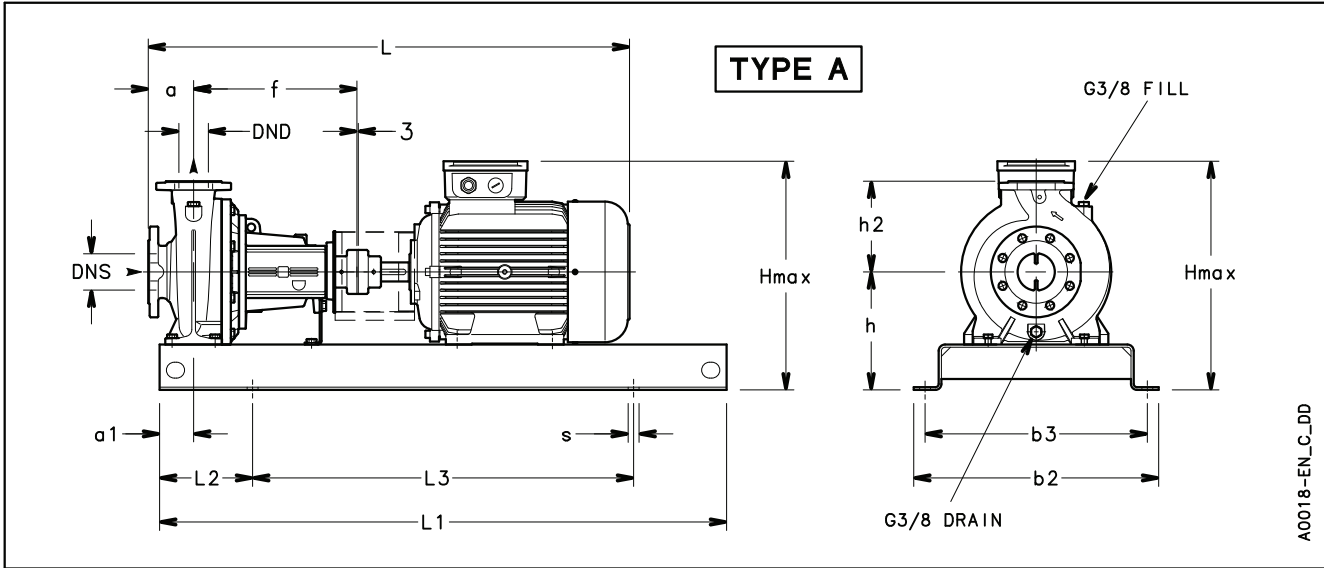
NSC 100, 125, 150, 200, 250, 300 SERIES DIMENSIONS AND WEIGHTS (BARE SHAFT)

PUMP TYPE NSC (BARE SHAFT)	DIMENSIONS (mm)																											WEIGHT (kg) G
	PUMP																SHAFT				B max	x						
	DNS	DND	a	b	f	g1	g2	h1	h2	m1	m2	n1	n2	n3	p1	p2	s1	s2	W	ØCA			d	l	t	u		
100-160	125	100	125	80	470	26	5	200	280	160	120	360	280	156	41	24	19	14	340	190	32	80	35	10	388	140	82	
100-200	125	100	125	80	470	26	5	200	280	160	120	360	280	156	41	24	19	14	340	190	32	80	35	10	390	140	90	
100-250	125	100	140	80	470	26	5	225	280	160	120	400	315	156	41	24	19	14	340	190	32	80	35	10	431	140	100	
100-315	125	100	140	80	470	26	5	250	315	160	120	400	315	156	41	24	19	14	340	190	32	80	35	10	482	140	116	
100-400	125	100	140	100	530	26	5	280	355	200	150	500	400	156	41	24	23	14	370	230	42	110	45	12	569	140	178	
125-200	150	125	140	80	470	26	5	250	315	160	120	400	315	156	41	24	19	14	340	190	32	80	35	10	468	140	112	
125-250	150	125	140	80	470	26	5	250	355	160	120	400	315	156	41	24	19	14	340	190	32	80	35	10	470	140	112	
125-315	150	125	140	100	530	26	5	280	355	200	150	500	400	156	41	24	23	14	370	230	42	110	45	12	518	140	152	
125-400	150	125	140	100	530	26	5	315	400	200	150	500	400	156	41	24	23	14	370	230	42	110	45	12	607	140	200	
150-200	200	150	160	100	470	26	5	280	400	200	150	550	450	156	41	24	23	14	340	190	32	80	35	10	603	140	166	
150-250	200	150	160	100	530	26	5	280	400	200	150	500	400	156	41	24	23	14	370	230	42	110	45	12	569	140	180	
150-315	200	150	160	100	530	26	5	280	400	200	150	550	450	156	41	24	23	14	370	230	42	110	45	12	586	140	186	
150-400	200	150	160	100	530	26	5	315	450	200	150	550	450	156	41	24	23	14	370	230	42	110	45	12	621	140	228	
150-500	200	150	180	110	770	35	8	400	500	300	250	710	600	170	58	33	28	18	525	310	60	140	64	18	751	250	408	
200-250	250	200	180	100	530	26	5	355	475	200	150	550	450	156	41	24	23	14	370	230	42	110	45	12	655	200	230	
200-315	250	200	180	100	530	26	5	355	450	200	150	550	450	156	41	24	23	14	370	230	42	110	45	12	645	200	234	
200-400	250	200	180	110	770	35	8	400	500	300	250	710	600	170	58	33	28	18	525	310	60	140	64	18	735	250	363	
200-500	250	200	200	110	770	35	8	450	560	300	250	710	600	170	58	33	28	18	525	310	60	140	64	18	761	250	400	
250-315	300	250	250	110	530	35	5	400	500	300	250	710	600	156	41	24	28	14	370	230	42	110	45	12	767	200	316	
250-400	300	250	200	110	770	35	8	400	560	300	250	710	600	170	58	33	28	18	525	310	60	140	64	18	754	250	400	
250-500	300	250	200	110	770	35	8	450	670	300	250	710	600	170	58	33	28	18	525	310	60	140	64	18	776	250	451	
300-350	350	300	250	130	800	41	8	450	600	350	290	800	670	170	58	33	32	18	555	310	60	140	64	18	895	300	544	
300-400	350	300	250	130	800	41	8	450	600	350	290	800	670	170	58	33	32	18	555	310	60	140	64	18	854	300	548	

NOTE: Pumps with flanges according to EN 1092-2 as standard; available ASME B16.5 version on request.

Nsc100-300bs_60-en_a_td

NSCF 32 SERIES (MOUNTED ON BASE) DIMENSIONS AND WEIGHTS AT 60 Hz, 2 POLES



PUMP TYPE NSCF..2	TYPE	DIMENSIONS (mm)														WEIGHT kg	COUPLING TYPE	
		DN _S	DND	a	a1	b2	b3	f	h	h2	L	L1	L2	L3	H max			s FOR SCREWS
32-125/15/P	A	50	32	80	60	390	350	360	212	140	791	900	150	600	352	4xØ19 (M16)	75	B68C
32-125/22/P	A	50	32	80	60	390	350	360	212	140	791	900	150	600	352	4xØ19 (M16)	77	B68C
32-125/30/P	A	50	32	80	60	390	350	360	212	140	822	900	150	600	366	4xØ19 (M16)	84	B80A
32-125/40/P	A	50	32	80	60	390	350	360	212	140	825	900	150	600	380	4xØ19 (M16)	89	B80A
32-125/55/P	A	50	32	80	60	450	400	360	232	140	890	1000	170	660	423	4xØ24 (M20)	118	B95A
32-160/40/P	A	50	32	80	60	390	350	360	232	160	825	900	150	600	400	4xØ19 (M16)	90	B80A
32-160/55/P	A	50	32	80	60	450	400	360	232	160	890	1000	170	660	423	4xØ24 (M20)	119	B95A
32-160/75/P	A	50	32	80	60	450	400	360	232	160	890	1000	170	660	423	4xØ24 (M20)	123	B95A
32-160/110A/P	A	50	32	80	60	490	440	360	260	160	1047	1120	190	740	500	4xØ24 (M20)	152	B95B
32-200/75/P	A	50	32	80	60	450	400	360	260	180	890	1000	170	660	451	4xØ24 (M20)	130	B95A
32-200/110A/P	A	50	32	80	60	490	440	360	260	180	1047	1120	190	740	500	4xØ24 (M20)	159	B95B
32-200/110/P	A	50	32	80	60	490	440	360	260	180	1047	1120	190	740	500	4xØ24 (M20)	159	B95B
32-250/110/P	A	50	32	100	75	540	490	360	280	225	1067	1250	205	840	520	4xØ24 (M20)	187	B95B
32-250/150/P	A	50	32	100	75	540	490	360	280	225	1067	1250	205	840	520	4xØ24 (M20)	204	B95B
32-250/185/P	A	50	32	100	75	540	490	360	280	225	1067	1250	205	840	520	4xØ24 (M20)	217	B95B
32-250/220/L	A	50	32	100	75	540	490	360	280	225	1161	1250	205	840	559	4xØ24 (M20)	248	B110A

NOTE: Pumps with flanges according to EN 1092-2 as standard.

Nscf32_2p60-en_b_id

Available ASME B16.5 version on request. For flanges dimensions see drawing.

NSCF 40, 50, 65 SERIES (MOUNTED ON BASE) DIMENSIONS AND WEIGHTS AT 60 Hz, 2 POLES

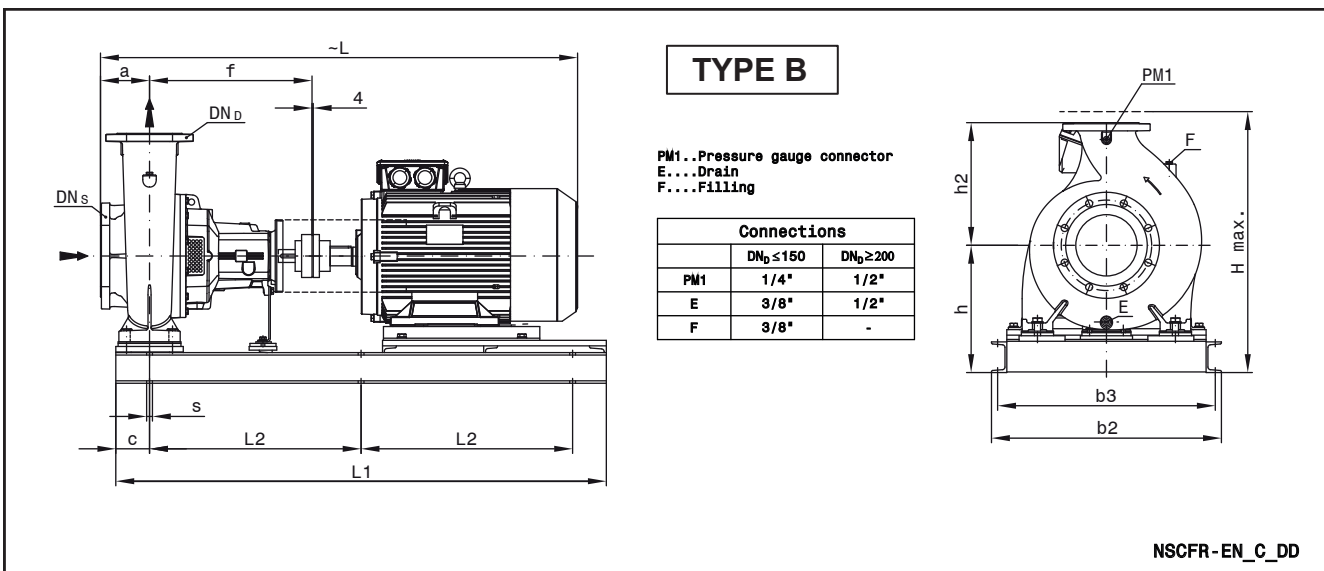
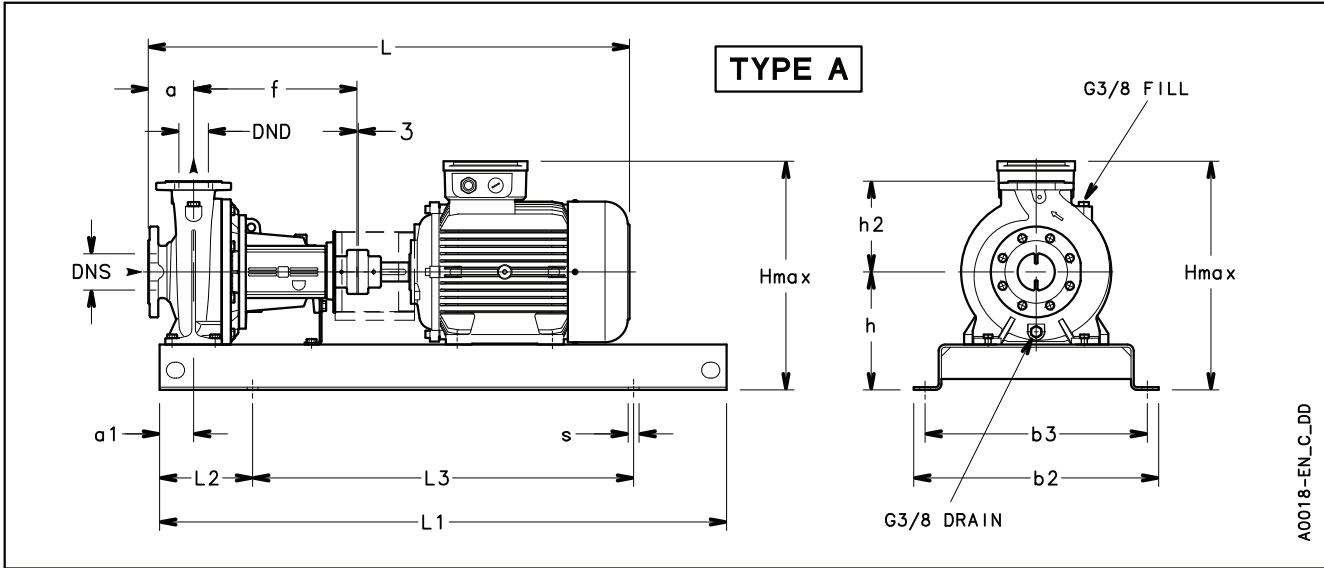
PUMP TYPE NSCF..2	TYPE	DIMENSIONS (mm)															WEIGHT kg	COUPLING TYPE
		DNS	DND	a	a1	b2	b3	f	h	h2	L	L1	L2	L3	H max	s FOR SCREWS		
40-125/30/P	A	65	40	80	60	390	350	360	212	140	822	900	150	600	366	4xØ19 (M16)	85	B80A
40-125/40/P	A	65	40	80	60	390	350	360	212	140	825	900	150	600	380	4xØ19 (M16)	90	B80A
40-125/55/P	A	65	40	80	60	450	400	360	232	140	890	1000	170	660	423	4xØ24 (M20)	119	B95A
40-125/75/P	A	65	40	80	60	450	400	360	232	140	890	1000	170	660	423	4xØ24 (M20)	123	B95A
40-160/55/P	A	65	40	80	60	450	400	360	232	160	890	1000	170	660	423	4xØ24 (M20)	120	B95A
40-160/75/P	A	65	40	80	60	450	400	360	232	160	890	1000	170	660	423	4xØ24 (M20)	124	B95A
40-160/110A/P	A	65	40	80	60	490	440	360	260	160	1047	1120	190	740	500	4xØ24 (M20)	153	B95B
40-160/110/P	A	65	40	80	60	490	440	360	260	160	1047	1120	190	740	500	4xØ24 (M20)	153	B95B
40-200/110A/P	A	65	40	100	60	490	440	360	260	180	1067	1120	190	740	500	4xØ24 (M20)	161	B95B
40-200/110/P	A	65	40	100	60	490	440	360	260	180	1067	1120	190	740	500	4xØ24 (M20)	161	B95B
40-200/150/P	A	65	40	100	60	490	440	360	260	180	1067	1120	190	740	500	4xØ24 (M20)	178	B95B
40-200/185/P	A	65	40	100	60	490	440	360	260	180	1067	1120	190	740	500	4xØ24 (M20)	191	B95B
40-250/185/P	A	65	40	100	75	540	490	360	280	225	1067	1250	205	840	520	4xØ24 (M20)	218	B95B
40-250/220/L	A	65	40	100	75	540	490	360	280	225	1165	1250	205	840	559	4xØ24 (M20)	249	B110A
40-250/300/L	A	65	40	100	75	610	550	360	310	225	1245	1400	205	940	627	4xØ28 (M24)	332	B125D
40-250/370/L	A	65	40	100	75	610	550	360	310	225	1305	1400	205	940	627	4xØ28 (M24)	352	B125D
50-125/55/P	A	65	50	100	60	450	400	360	232	160	910	1000	170	660	423	4xØ24 (M20)	122	B95A
50-125/75/P	A	65	50	100	60	450	400	360	232	160	910	1000	170	660	423	4xØ24 (M20)	126	B95A
50-125/110A/P	A	65	50	100	60	490	440	360	260	160	1067	1120	190	740	500	4xØ24 (M20)	155	B95B
50-125/110/P	A	65	50	100	60	490	440	360	260	160	1067	1120	190	740	500	4xØ24 (M20)	155	B95B
50-160/110A/P	A	65	50	100	60	490	440	360	260	180	1067	1120	190	740	500	4xØ24 (M20)	162	B95B
50-160/110/P	A	65	50	100	60	490	440	360	260	180	1067	1120	190	740	500	4xØ24 (M20)	162	B95B
50-160/150/P	A	65	50	100	60	490	440	360	260	180	1067	1120	190	740	500	4xØ24 (M20)	179	B95B
50-160/185/P	A	65	50	100	60	490	440	360	260	180	1067	1120	190	740	500	4xØ24 (M20)	192	B95B
50-200/185/P	A	65	50	100	60	490	440	360	260	200	1067	1120	190	740	500	4xØ24 (M20)	193	B95B
50-200/220/P	A	65	50	100	60	540	490	360	280	200	1165	1250	205	840	559	4xØ24 (M20)	231	B110A
50-200/300/L	A	65	50	100	60	610	550	360	310	200	1245	1400	230	940	627	4xØ28 (M24)	314	B125D
50-250/220/L	A	65	50	100	75	540	490	360	280	225	1165	1250	205	840	559	4xØ28 (M24)	250	B110A
50-250/300/L	A	65	50	100	75	610	550	360	310	225	1245	1400	230	940	627	4xØ28 (M24)	333	B125D
50-250/370/L	A	65	50	100	75	610	550	360	310	225	1305	1400	230	940	627	4xØ28 (M24)	353	B125D
50-315/550/L	B	65	50	125	110	750	710	470	405	280	1506	1550	110	1330	807	6xØ19 (M16)	657	B140A
50-315/750/L	B	65	50	125	110	750	710	470	405	280	1611	1550	110	1330	877	6xØ19 (M16)	741	B160A
65-125/75/P	A	80	65	100	75	450	400	360	260	180	910	1000	170	660	451	4xØ24 (M20)	137	B95A
65-125/110A/P	A	80	65	100	75	490	440	360	260	180	1067	1120	190	740	500	4xØ24 (M20)	167	B95B
65-125/110/P	A	80	65	100	75	490	440	360	260	180	1067	1120	190	740	500	4xØ24 (M20)	167	B95B
65-160/150/P	A	80	65	100	75	540	490	360	260	200	1067	1250	205	840	500	4xØ24 (M20)	205	B95B
65-160/185/P	A	80	65	100	75	540	490	360	260	200	1067	1250	205	840	500	4xØ24 (M20)	218	B95B
65-160/220/P	A	80	65	100	75	540	490	360	280	200	1165	1250	205	840	559	4xØ24 (M20)	249	B110A
65-160/300/P	A	80	65	100	75	610	550	360	310	200	1245	1400	230	940	627	4xØ28 (M24)	332	B125D
65-200/220/L	A	80	65	100	75	540	490	360	280	225	1165	1250	205	840	559	4xØ24 (M20)	252	B110A
65-200/300/L	A	80	65	100	75	610	550	360	310	225	1245	1400	230	940	627	4xØ28 (M24)	335	B125D
65-200/370/L	A	80	65	100	75	610	550	360	310	225	1305	1400	230	940	627	4xØ28 (M24)	355	B125D
65-250/450/L	A	80	65	100	90	610	550	470	365	250	1415	1400	230	940	749	4xØ28 (M24)	465	B125B
65-250/550/L	A	80	65	100	90	660	600	470	390	250	1481	1600	270	1060	792	4xØ28 (M24)	691	B140A
65-250/750/L	A	80	65	100	90	730	670	470	420	250	1586	1800	300	1200	892	4xØ28 (M24)	836	B160A
65-315/750/L	B	80	65	125	110	750	710	470	390	280	1611	1550	110	1330	862	6xØ19 (M16)	739	B160A
65-315/900/L	B	80	65	125	110	750	710	470	390	280	1611	1550	110	1330	862	6xØ19 (M16)	866	B160A
65-315/1100/L	B	80	65	125	110	750	710	470	390	280	1755	1550	110	1330	862	6xØ19 (M16)	883	B160A

NOTE: Pumps with flanges according to EN 1092-2 as standard.

Nscf40-65-2p60-en_b_td

Available ASME B16.5 version on request. For flanges dimensions see drawing.

**NSCF 80, 100, 125 SERIES (MOUNTED ON BASE)
DIMENSIONS AND WEIGHTS AT 60 Hz, 2 POLES**



NSCF 80, 100, 125 SERIES (MOUNTED ON BASE) DIMENSIONS AND WEIGHTS AT 60 Hz, 2 POLES

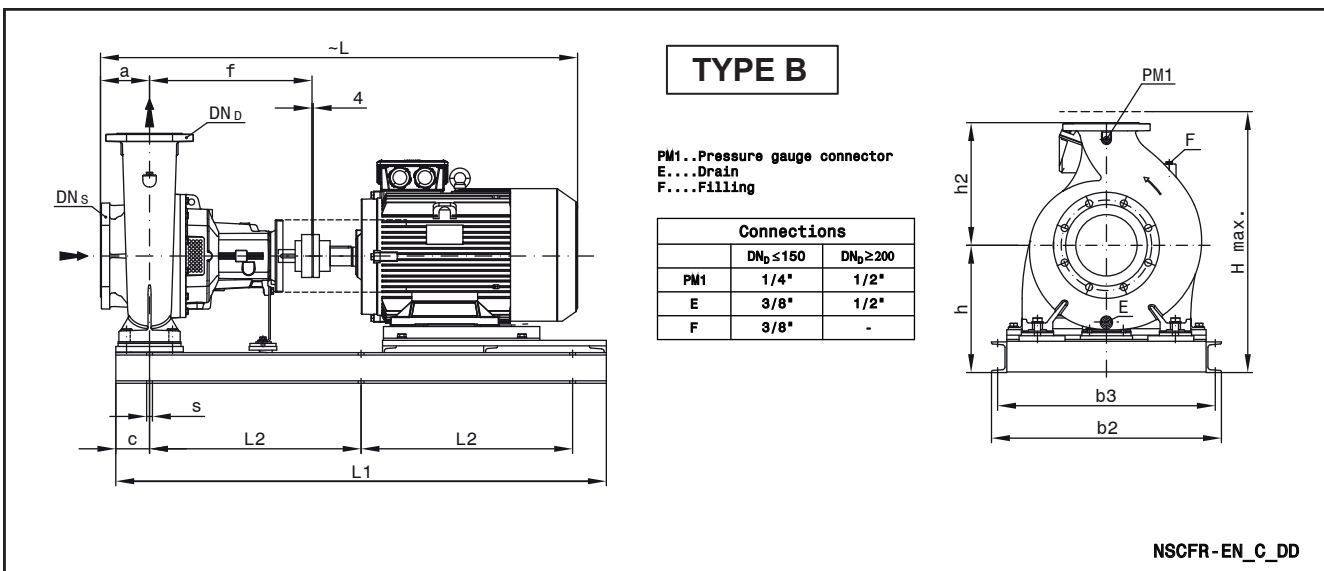
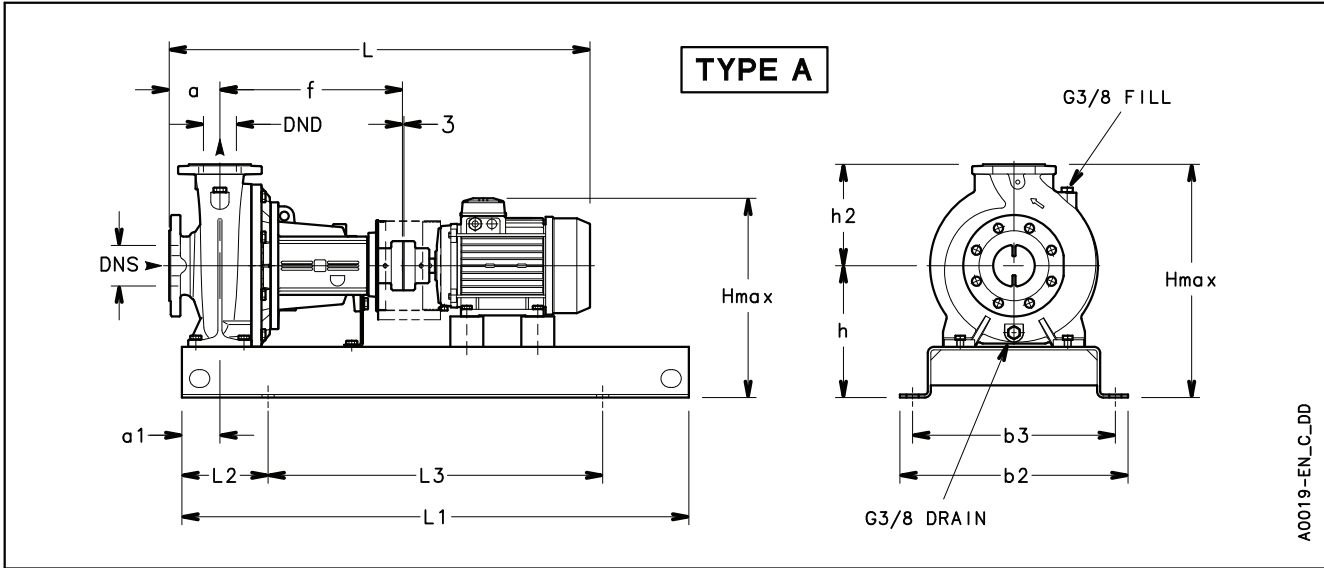
PUMP TYPE NSCF..4	TYPE	DIMENSIONS (mm)															WEIGHT (kg) G	COUPLING TYPE
		DNS	DND	a	a1	b2	b3	f	h	h2	L	L1	L2	L3	H max	s FOR SCREWS		
80-160/22/P	A	100	80	125	75	490	440	360	280	225	913	1120	190	740	505	4xØ24 (M20)	140	B80A
80-160/30/P	A	100	80	125	75	490	440	360	280	225	931	1120	190	740	505	4xØ24 (M20)	145	B80A
80-160/40/P	A	100	80	125	75	490	440	360	280	225	973	1120	190	740	505	4xØ24 (M20)	164	B80A
80-160/55/P	A	100	80	125	75	490	440	360	280	225	973	1120	190	740	505	4xØ24 (M20)	173	B95A
80-200/55/P	A	100	80	125	75	490	440	470	280	250	1083	1120	190	740	530	4xØ24 (M20)	191	B95D
80-200/75/P	A	100	80	125	75	490	440	470	280	250	1083	1120	190	740	530	4xØ24 (M20)	195	B95D
80-200/110/P	A	100	80	125	75	540	490	470	280	250	1202	1250	205	840	530	4xØ24 (M20)	256	B95E
80-250/75/P	A	100	80	125	90	540	490	470	310	280	1083	1250	205	840	590	4xØ24 (M20)	204	B95D
80-250/110A/P	A	100	80	125	90	540	490	470	310	280	1202	1250	205	840	590	4xØ24 (M20)	259	B95E
80-250/110/P	A	100	80	125	90	540	490	470	310	280	1202	1250	205	840	590	4xØ24 (M20)	259	B95E
80-250/150/P	A	100	80	125	90	540	490	470	310	280	1202	1250	205	840	590	4xØ24 (M20)	264	B95E
100-160/40/P	B	125	100	125	110	670	630	470	365	280	1057	1100	110	880	645	6xØ19 (M16)	240	B95C
100-160/55/P	B	125	100	125	110	670	630	470	385	280	1084	1100	110	880	665	6xØ19 (M16)	248	B95D
100-160/75/P	B	125	100	125	110	670	630	470	385	280	1084	1100	110	880	665	6xØ19 (M16)	253	B95D
100-200/55/P	B	125	100	125	110	670	630	470	385	280	1084	1100	110	880	665	6xØ19 (M16)	256	B95D
100-200/75/P	B	125	100	125	110	670	630	470	385	280	1084	1100	110	880	665	6xØ19 (M16)	261	B95D
100-200/110/P	B	125	100	125	110	670	630	470	365	280	1203	1330	110	1110	645	6xØ19 (M16)	335	B95E
100-200/150/P	B	125	100	125	110	670	630	470	365	280	1203	1330	110	1110	645	6xØ19 (M16)	340	B110E
100-250/110/P	B	125	100	140	110	670	630	470	365	280	1218	1330	110	1110	645	6xØ19 (M16)	338	B95E
100-250/150/P	B	125	100	140	110	670	630	470	365	280	1218	1330	110	1110	645	6xØ19 (M16)	343	B110E
100-250/185/L	B	125	100	140	110	670	630	470	385	280	1311	1330	110	1110	665	6xØ19 (M16)	350	B110B
100-315/220/L	B	125	100	140	110	670	630	470	385	315	1311	1330	110	1110	700	6xØ19 (M16)	373	B110B
100-315/300/L	B	125	100	140	110	560	520	470	355	315	1391	1350	110	1130	672	6xØ19 (M16)	403	B125B
100-315/370/L	B	125	100	140	110	750	710	470	405	315	1451	1550	110	1330	789	6xØ19 (M16)	517	B140A
100-315/450/L	B	125	100	140	110	750	710	470	405	315	1451	1550	110	1330	789	6xØ19 (M16)	556	B140A
100-400/450/L	B	125	100	140	110	750	710	530	415	355	1511	1600	110	1380	799	6xØ19 (M16)	626	B140B
100-400/550/L	B	125	100	140	110	750	710	530	440	355	1577	1600	110	1380	842	6xØ19 (M16)	749	B160B
100-400/750/L	B	125	100	140	110	750	710	530	425	355	1682	1600	110	1380	897	6xØ19 (M16)	800	B180B
125-200/75/P	B	150	125	140	110	670	630	470	385	315	1099	1100	110	880	700	6xØ19 (M16)	268	B95D
125-200/110/P	B	150	125	140	110	670	630	470	365	315	1218	1330	110	1110	680	6xØ19 (M16)	343	B95E
125-200/150/P	B	150	125	140	110	670	630	470	365	315	1218	1330	110	1110	680	6xØ19 (M16)	348	B110E
125-200/185/L	B	150	125	140	110	670	630	470	385	315	1311	1330	110	1110	700	6xØ19 (M16)	354	B110B
125-250/150/P	B	150	125	140	110	670	630	470	365	355	1218	1330	110	1110	720	6xØ19 (M16)	348	B110E
125-250/185/L	B	150	125	140	110	670	630	470	385	355	1311	1330	110	1110	740	6xØ19 (M16)	354	B110B
125-250/220/L	B	150	125	140	110	670	630	470	385	355	1311	1330	110	1110	740	6xØ19 (M16)	369	B110B
125-250/300/L	B	150	125	140	110	560	520	470	355	355	1391	1350	110	1130	710	6xØ19 (M16)	399	B125B
125-315/300/L	B	150	125	140	110	670	630	530	420	355	1451	1430	110	1210	775	6xØ19 (M16)	466	B125C
125-315/370/L	B	150	125	140	110	750	710	530	415	355	1511	1600	110	1380	799	6xØ19 (M16)	561	B140B
125-315/450/L	B	150	125	140	110	750	710	530	415	355	1511	1600	110	1380	799	6xØ19 (M16)	600	B140B
125-315/550/L	B	150	125	140	110	750	710	530	440	355	1577	1600	110	1380	842	6xØ19 (M16)	723	B160B
125-315/750/L	B	150	125	140	110	750	710	530	440	355	1682	1600	110	1380	912	6xØ19 (M16)	785	B180B
125-400/550/L	B	150	125	140	110	750	710	530	440	400	1577	1600	110	1380	842	6xØ19 (M16)	756	B160B
125-400/750/L	B	150	125	140	110	750	710	530	440	400	1682	1600	110	1380	912	6xØ19 (M16)	819	B180B
125-400/900/L	B	150	125	140	110	750	710	530	440	400	1682	1600	110	1380	912	6xØ19 (M16)	931	B180B
125-400/1100/L	B	150	125	140	110	750	710	530	440	400	1826	1600	110	1380	912	6xØ19 (M16)	1002	B180B

NOTE: Pumps with flanges according to EN 1092-2 as standard.

Nscf80-125_4p60-en_b_td

Available ASME B16.5 version on request. For flanges dimensions see drawing.

NSCF 32 SERIES (MOUNTED ON BASE) DIMENSIONS AND WEIGHTS AT 60 Hz, 4 POLES



PUMP TYPE NSCF..4	TYPE	DIMENSIONS (mm)														WEIGHT kg	COUPLING TYPE	
		DN _S	DN _D	a	a1	b2	b3	f	h	h2	L	L1	L2	L3	H max			s FOR SCREWS
32-125/07/X	A	50	32	80	60	360	320	360	212	140	714	800	130	540	352	4xØ19 (M16)	68	B68B
32-160/07/X	A	50	32	80	60	360	320	360	232	160	714	800	130	540	392	4xØ19 (M16)	69	B68B
32-160/11/P	A	50	32	80	60	390	350	360	232	160	791	900	150	600	392	4xØ19 (M16)	78	B68C
32-200/11/P	A	50	32	80	60	390	350	360	260	180	791	900	150	600	440	4xØ19 (M16)	85	B68C
32-200/15/P	A	50	32	80	60	390	350	360	260	180	791	900	150	600	440	4xØ19 (M16)	90	B68C
32-200/22/P	A	50	32	80	60	390	350	360	260	180	868	900	150	600	440	4xØ19 (M16)	100	B68C
32-250/22/P	A	50	32	100	75	450	400	360	280	225	888	1000	170	660	505	4xØ24 (M20)	127	B80A
32-250/30A/P	A	50	32	100	75	450	400	360	280	225	905	1000	170	660	505	4xØ24 (M20)	132	B80A
32-250/30/P	A	50	32	100	75	450	400	360	280	225	905	1000	170	660	505	4xØ24 (M20)	132	B80A
32-250/40/P	A	50	32	100	75	450	400	360	280	225	921	1000	170	660	505	4xØ24 (M20)	151	B80A

NOTE: Pumps with flanges according to EN 1092-2 as standard.

Nscf32_4p60-en_b_td

Available ASME B16.5 version on request. For flanges dimensions see drawing.

**NSCF 40, 50, 65 SERIES (MOUNTED ON BASE)
DIMENSIONS AND WEIGHTS AT 60 Hz, 4 POLES**

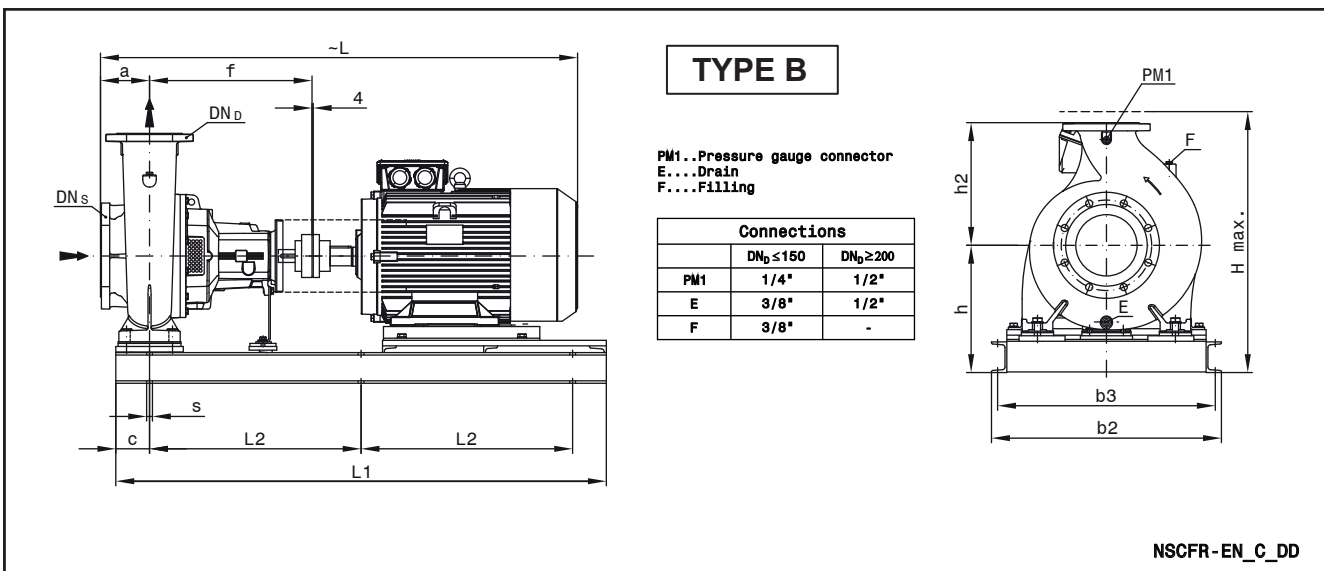
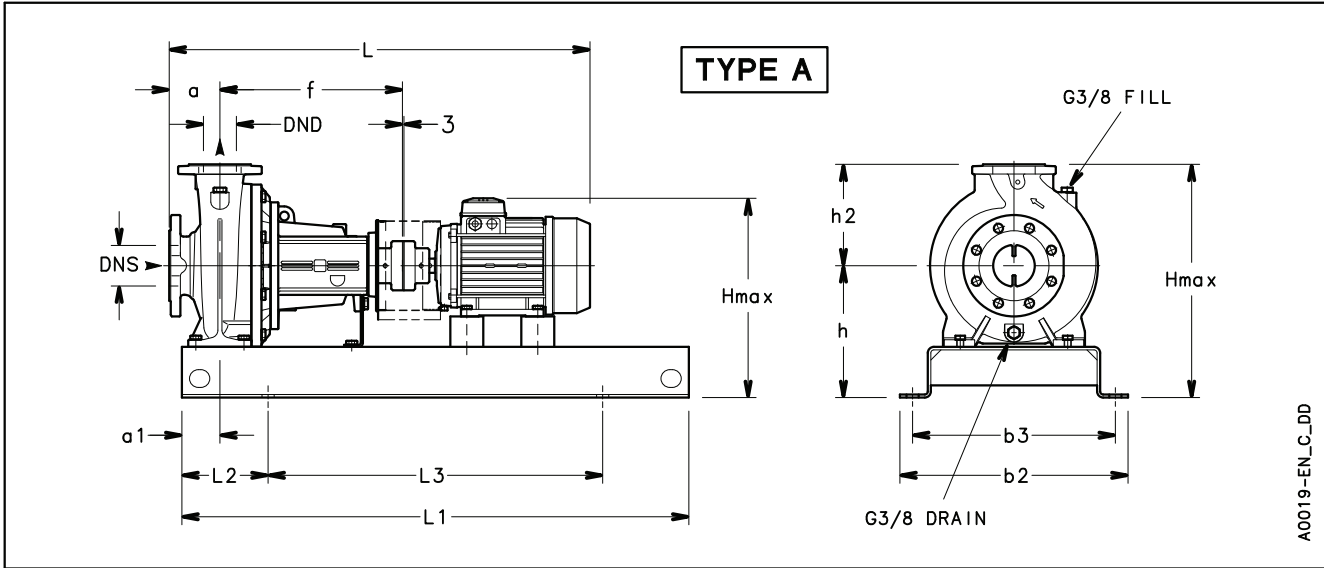
PUMP TYPE NSCF..4	TYPE	DIMENSIONS (mm)														H max	s FOR SCREWS	WEIGHT kg	COUPLING TYPE
		DNS	DND	a	a1	b2	b3	f	h	h2	L	L1	L2	L3					
40-125/07/X	A	65	40	80	60	360	320	360	212	140	714	800	130	540	352	4xØ19 (M16)	69	B68B	
40-125/11/P	A	65	40	80	60	390	350	360	212	140	791	900	150	600	352	4xØ19 (M16)	78	B68C	
40-160/07/X	A	65	40	80	60	360	320	360	232	160	714	800	130	540	392	4xØ19 (M16)	70	B68B	
40-160/11/P	A	65	40	80	60	390	350	360	232	160	791	900	150	600	392	4xØ19 (M16)	79	B68C	
40-160/15A/P	A	65	40	80	60	390	350	360	232	160	791	900	150	600	392	4xØ19 (M16)	84	B68C	
40-160/15/P	A	65	40	80	60	390	350	360	232	160	791	900	150	600	392	4xØ19 (M16)	84	B68C	
40-200/15/P	A	65	40	100	60	390	350	360	260	180	811	900	150	600	440	4xØ19 (M16)	92	B68C	
40-200/22/P	A	65	40	100	60	390	350	360	260	180	888	900	150	600	440	4xØ19 (M16)	102	B80A	
40-200/30/P	A	65	40	100	60	390	350	360	260	180	905	900	150	600	440	4xØ19 (M16)	107	B80A	
40-250/22/P	A	65	40	100	75	450	400	360	280	225	888	1000	170	660	505	4xØ24 (M20)	128	B80A	
40-250/30/P	A	65	40	100	75	450	400	360	280	225	905	1000	170	660	505	4xØ24 (M20)	133	B80A	
40-250/40/P	A	65	40	100	75	450	400	360	280	225	921	1000	170	660	505	4xØ24 (M20)	152	B80A	
40-250/55/P	A	65	40	100	75	490	440	360	280	225	948	1120	190	740	505	4xØ24 (M20)	167	B95A	
50-125/07/X	A	65	50	100	60	360	320	360	232	160	734	800	130	540	392	4xØ19 (M16)	72	B68B	
50-125/11A/P	A	65	50	100	60	390	350	360	232	160	811	900	150	600	392	4xØ19 (M16)	81	B68C	
50-125/11/P	A	65	50	100	60	390	350	360	232	160	811	900	150	600	392	4xØ19 (M16)	81	B68C	
50-125/15/P	A	65	50	100	60	390	350	360	232	160	811	900	150	600	392	4xØ19 (M16)	86	B68C	
50-160/11/P	A	65	50	100	60	390	350	360	260	180	811	900	150	600	440	4xØ19 (M16)	88	B68C	
50-160/15/P	A	65	50	100	60	390	350	360	260	180	811	900	150	600	440	4xØ19 (M16)	93	B68C	
50-160/22/P	A	65	50	100	60	390	350	360	260	180	888	900	150	600	440	4xØ19 (M16)	103	B80A	
50-160/30/P	A	65	50	100	60	390	350	360	260	180	905	900	150	600	440	4xØ19 (M16)	108	B80A	
50-200/22/P	A	65	50	100	60	390	350	360	260	200	888	900	150	600	460	4xØ19 (M16)	104	B80A	
50-200/30A/P	A	65	50	100	60	390	350	360	260	200	905	900	150	600	460	4xØ19 (M16)	109	B80A	
50-200/30/P	A	65	50	100	60	390	350	360	260	200	905	900	150	600	460	4xØ19 (M16)	109	B80A	
50-200/40/P	A	65	50	100	60	390	350	360	260	200	921	900	150	600	460	4xØ19 (M16)	128	B80A	
50-250/40/P	A	65	50	100	75	450	400	360	280	225	921	1000	170	660	505	4xØ24 (M20)	153	B80A	
50-250/55/P	A	65	50	100	75	490	440	360	280	225	948	1120	190	740	505	4xØ24 (M20)	168	B95A	
50-250/75/P	A	65	50	100	75	490	440	360	280	225	948	1120	190	740	505	4xØ24 (M20)	172	B95A	
50-315/75/P	B	65	50	125	110	670	630	470	385	280	1084	1100	110	880	665	6xØ19 (M16)	258,2	B95D	
50-315/110/P	B	65	50	125	110	670	630	470	365	280	1203	1330	110	1110	645	6xØ19 (M16)	332,5	B95E	
50-315/150/P	B	65	50	125	110	670	630	470	365	280	1203	1330	110	1110	645	6xØ19 (M16)	337,8	B110E	
65-125/11A/P	A	80	65	100	75	390	350	360	260	180	811	900	150	600	440	4xØ19 (M16)	92	B68C	
65-125/11/P	A	80	65	100	75	390	350	360	260	180	811	900	150	600	440	4xØ19 (M16)	92	B68C	
65-125/15/P	A	80	65	100	75	390	350	360	260	180	811	900	150	600	440	4xØ19 (M16)	97	B68C	
65-125/22/P	A	80	65	100	75	390	350	360	260	180	888	900	150	600	440	4xØ19 (M16)	107	B80A	
65-160/22A/P	A	80	65	100	75	450	400	360	260	200	888	1000	170	660	460	4xØ24 (M20)	128	B80A	
65-160/22/P	A	80	65	100	75	450	400	360	260	200	888	1000	170	660	460	4xØ24 (M20)	128	B80A	
65-160/30/P	A	80	65	100	75	450	400	360	260	200	905	1000	170	660	460	4xØ24 (M20)	133	B80A	
65-160/40/P	A	80	65	100	75	450	400	360	260	200	921	1000	170	660	460	4xØ24 (M20)	152	B80A	
65-200/30/P	A	80	65	100	75	490	440	360	280	225	905	1120	190	740	505	4xØ24 (M20)	142	B80A	
65-200/40/P	A	80	65	100	75	490	440	360	280	225	921	1120	190	740	505	4xØ24 (M20)	161	B80A	
65-200/55A/P	A	80	65	100	75	490	440	360	280	225	948	1120	190	740	505	4xØ24 (M20)	170	B95A	
65-200/55/P	A	80	65	100	75	490	440	360	280	225	948	1120	190	740	505	4xØ24 (M20)	170	B95A	
65-200/75/P	A	80	65	100	75	490	440	360	280	225	948	1120	190	740	505	4xØ24 (M20)	174	B95A	
65-250/110A/P	A	80	65	100	90	540	490	470	310	250	1177	1250	205	840	560	4xØ24 (M20)	255	B95E	
65-250/110/P	A	80	65	100	90	540	490	470	310	250	1177	1250	205	840	560	4xØ24 (M20)	255	B95E	
65-315/110/P	B	80	65	125	110	670	630	470	365	280	1203	1330	110	1110	645	6xØ19 (M16)	339,7	B95E	
65-315/150/P	B	80	65	125	110	670	630	470	365	280	1203	1330	110	1110	645	6xØ19 (M16)	345	B110E	
65-315/185/L	B	80	65	125	110	670	630	470	385	280	1296	1330	110	1110	665	6xØ19 (M16)	352,2	B110B	
65-315/220/L	B	80	65	125	110	670	630	470	385	280	1296	1330	110	1110	665	6xØ19 (M16)	367,2	B110B	

NOTE: Pumps with flanges according to EN 1092-2 as standard.

Nscf40-65_4p60-en_c_ld

Available ASME B16.5 version on request. For flanges dimensions see drawing.

**NSCF 80, 100, 125 SERIES (MOUNTED ON BASE)
DIMENSIONS AND WEIGHTS AT 60 Hz, 4 POLES**



**NSCF 80, 100, 125 SERIES (MOUNTED ON BASE)
DIMENSIONS AND WEIGHTS AT 60 Hz, 4 POLES**

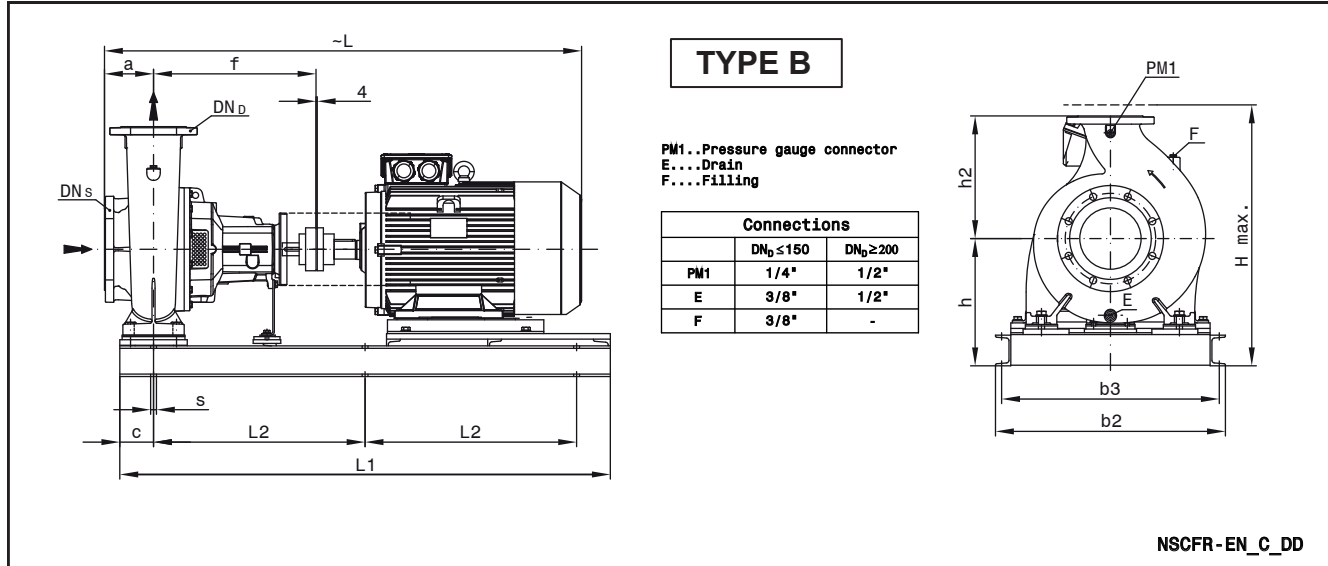
PUMP TYPE NSCF..4	TYPE	DIMENSIONS (mm)														WEIGHT (kg) G	COUPLING TYPE	
		DNS	DND	a	a1	b2	b3	f	h	h2	L	L1	L2	L3	H max			s FOR SCREWS
80-160/22/P	A	100	80	125	75	490	440	360	280	225	913	1120	190	740	505	4xØ24 (M20)	140	B80A
80-160/30/P	A	100	80	125	75	490	440	360	280	225	931	1120	190	740	505	4xØ24 (M20)	145	B80A
80-160/40/P	A	100	80	125	75	490	440	360	280	225	973	1120	190	740	505	4xØ24 (M20)	164	B80A
80-160/55/P	A	100	80	125	75	490	440	360	280	225	973	1120	190	740	505	4xØ24 (M20)	173	B95A
80-200/55/P	A	100	80	125	75	490	440	470	280	250	1083	1120	190	740	530	4xØ24 (M20)	191	B95D
80-200/75/P	A	100	80	125	75	490	440	470	280	250	1083	1120	190	740	530	4xØ24 (M20)	195	B95D
80-200/110/P	A	100	80	125	75	540	490	470	280	250	1202	1250	205	840	530	4xØ24 (M20)	256	B95E
80-250/75/P	A	100	80	125	90	540	490	470	310	280	1083	1250	205	840	590	4xØ24 (M20)	204	B95D
80-250/110A/P	A	100	80	125	90	540	490	470	310	280	1202	1250	205	840	590	4xØ24 (M20)	259	B95E
80-250/110/P	A	100	80	125	90	540	490	470	310	280	1202	1250	205	840	590	4xØ24 (M20)	259	B95E
80-250/150/P	A	100	80	125	90	540	490	470	310	280	1202	1250	205	840	590	4xØ24 (M20)	264	B95E
100-160/40/P	B	125	100	125	110	670	630	470	365	280	1057	1100	110	880	645	6xØ19 (M16)	240	B95C
100-160/55/P	B	125	100	125	110	670	630	470	385	280	1084	1100	110	880	665	6xØ19 (M16)	248	B95D
100-160/75/P	B	125	100	125	110	670	630	470	385	280	1084	1100	110	880	665	6xØ19 (M16)	253	B95D
100-200/55/P	B	125	100	125	110	670	630	470	385	280	1084	1100	110	880	665	6xØ19 (M16)	256	B95D
100-200/75/P	B	125	100	125	110	670	630	470	385	280	1084	1100	110	880	665	6xØ19 (M16)	261	B95D
100-200/110/P	B	125	100	125	110	670	630	470	365	280	1203	1330	110	1110	645	6xØ19 (M16)	335	B95E
100-200/150/P	B	125	100	125	110	670	630	470	365	280	1203	1330	110	1110	645	6xØ19 (M16)	340	B110E
100-250/110/P	B	125	100	140	110	670	630	470	365	280	1218	1330	110	1110	645	6xØ19 (M16)	338	B95E
100-250/150/P	B	125	100	140	110	670	630	470	365	280	1218	1330	110	1110	645	6xØ19 (M16)	343	B110E
100-250/185/L	B	125	100	140	110	670	630	470	385	280	1311	1330	110	1110	665	6xØ19 (M16)	350	B110B
100-315/220/L	B	125	100	140	110	670	630	470	385	315	1311	1330	110	1110	700	6xØ19 (M16)	373	B110B
100-315/300/L	B	125	100	140	110	560	520	470	355	315	1391	1350	110	1130	672	6xØ19 (M16)	403	B125B
100-315/370/L	B	125	100	140	110	750	710	470	405	315	1451	1550	110	1330	789	6xØ19 (M16)	517	B140A
100-315/450/L	B	125	100	140	110	750	710	470	405	315	1451	1550	110	1330	789	6xØ19 (M16)	556	B140A
100-400/450/L	B	125	100	140	110	750	710	530	415	355	1511	1600	110	1380	799	6xØ19 (M16)	626	B140B
100-400/550/L	B	125	100	140	110	750	710	530	440	355	1577	1600	110	1380	842	6xØ19 (M16)	749	B160B
100-400/750/L	B	125	100	140	110	750	710	530	425	355	1682	1600	110	1380	897	6xØ19 (M16)	800	B180B
125-200/75/P	B	150	125	140	110	670	630	470	385	315	1099	1100	110	880	700	6xØ19 (M16)	268	B95D
125-200/110/P	B	150	125	140	110	670	630	470	365	315	1218	1330	110	1110	680	6xØ19 (M16)	343	B95E
125-200/150/P	B	150	125	140	110	670	630	470	365	315	1218	1330	110	1110	680	6xØ19 (M16)	348	B110E
125-200/185/L	B	150	125	140	110	670	630	470	385	315	1311	1330	110	1110	700	6xØ19 (M16)	354	B110B
125-250/150/P	B	150	125	140	110	670	630	470	365	355	1218	1330	110	1110	720	6xØ19 (M16)	348	B110E
125-250/185/L	B	150	125	140	110	670	630	470	385	355	1311	1330	110	1110	740	6xØ19 (M16)	354	B110B
125-250/220/L	B	150	125	140	110	670	630	470	385	355	1311	1330	110	1110	740	6xØ19 (M16)	369	B110B
125-250/300/L	B	150	125	140	110	560	520	470	355	355	1391	1350	110	1130	710	6xØ19 (M16)	399	B125B
125-315/300/L	B	150	125	140	110	670	630	530	420	355	1451	1430	110	1210	775	6xØ19 (M16)	466	B125C
125-315/370/L	B	150	125	140	110	750	710	530	415	355	1511	1600	110	1380	799	6xØ19 (M16)	561	B140B
125-315/450/L	B	150	125	140	110	750	710	530	415	355	1511	1600	110	1380	799	6xØ19 (M16)	600	B140B
125-315/550/L	B	150	125	140	110	750	710	530	440	355	1577	1600	110	1380	842	6xØ19 (M16)	723	B160B
125-315/750/L	B	150	125	140	110	750	710	530	440	355	1682	1600	110	1380	912	6xØ19 (M16)	785	B180B
125-400/550/L	B	150	125	140	110	750	710	530	440	400	1577	1600	110	1380	842	6xØ19 (M16)	756	B160B
125-400/750/L	B	150	125	140	110	750	710	530	440	400	1682	1600	110	1380	912	6xØ19 (M16)	819	B180B
125-400/900/L	B	150	125	140	110	750	710	530	440	400	1682	1600	110	1380	912	6xØ19 (M16)	931	B180B
125-400/1100/L	B	150	125	140	110	750	710	530	440	400	1826	1600	110	1380	912	6xØ19 (M16)	1002	B180B

NOTE: Pumps with flanges according to EN 1092-2 as standard.

Nscf80-125_4p60-en_b_id

Available ASME B16.5 version on request. For flanges dimensions see drawing.

NSCF 150 SERIES (MOUNTED ON BASE) DIMENSIONS AND WEIGHTS AT 60 Hz, 4 POLES



PUMP TYPE NSCF..4	TYPE	DIMENSIONS (mm)													H max	s FOR SCREWS	WEIGHT (kg) G	COUPLING TYPE
		DN _S	DN _D	a	a1	b2	b3	f	h	h2	L	L1	L2	L3				
150-200/150/P	B	200	150	160	110	670	630	470	385	400	1238	1330	110	1110	785	6xØ19 (M16)	405	B110E
150-200/185/L	B	200	150	160	110	670	630	470	385	400	1331	1330	110	1110	785	6xØ19 (M16)	400	B110B
150-200/220/L	B	200	150	160	110	670	630	470	385	400	1331	1330	110	1110	785	6xØ19 (M16)	414	B110B
150-250/220/L	B	200	150	160	110	670	630	530	400	400	1391	1430	110	1210	800	6xØ19 (M16)	436	B110D
150-250/300/L	B	200	150	160	110	670	630	530	420	400	1471	1430	110	1210	820	6xØ19 (M16)	494	B125C
150-250/370/L	B	200	150	160	110	750	710	530	415	400	1530	1600	110	1380	815	6xØ19 (M16)	589	B140B
150-250/450/L	B	200	150	160	110	750	710	530	415	400	1530	1600	110	1380	815	6xØ19 (M16)	628	B140B
150-315/450/L	B	200	150	160	110	750	710	530	415	400	1530	1600	110	1380	815	6xØ19 (M16)	634	B140B
150-315/550/L	B	200	150	160	110	750	710	530	440	400	1596	1600	110	1380	842	6xØ19 (M16)	743	B160B
150-315/750/L	B	200	150	160	110	750	710	530	440	400	1646	1600	110	1380	912	6xØ19 (M16)	819	B180B
150-315/900/L	B	200	150	160	110	750	710	530	440	400	1701	1600	110	1380	912	6xØ19 (M16)	931	B180B
150-400/750/L	B	200	150	160	110	750	710	530	440	450	1646	1600	110	1380	912	6xØ19 (M16)	847	B180B
150-400/900/L	B	200	150	160	110	750	710	530	440	450	1701	1600	110	1380	912	6xØ19 (M16)	959	B180B
150-400/1100/L	B	200	150	160	110	750	710	530	440	450	1701	1600	110	1380	912	6xØ19 (M16)	1064	B180B
150-500/1600/L	B	200	150	180	165	860	810	770	585	500	2075	2000	165	1670	1115	6xØ26 (M20)	1598	B200A
150-500/2000/L	B	200	150	180	165	860	810	770	585	500	2075	2000	165	1670	1160	6xØ26 (M20)	1693	B225A
150-500/2500/L	B	200	150	180	165	860	810	770	585	500	2105	2000	165	1670	1160	6xØ26 (M20)	1957	B225A
150-500/3150/L	B	200	150	180	165	1000	930	770	625	500	2415	2200	165	1870	1250	6xØ29 (M24)	2244	B250A

NOTE: Pumps with flanges according to EN 1092-2 as standard.

Nscf150_4p60-en_b_td

Available ASME B16.5 version on request. For flanges dimensions see drawing.

**NSCF 200, 250, 300 SERIES (MOUNTED ON BASE)
DIMENSIONS AND WEIGHTS AT 60 Hz, 4 POLES**

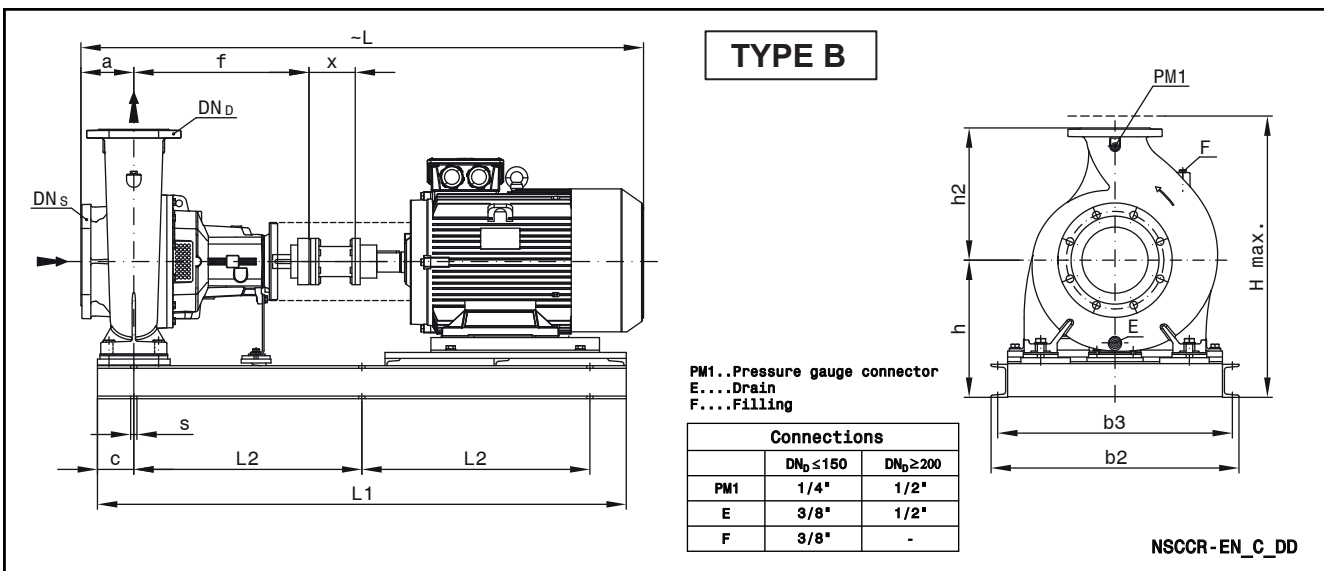
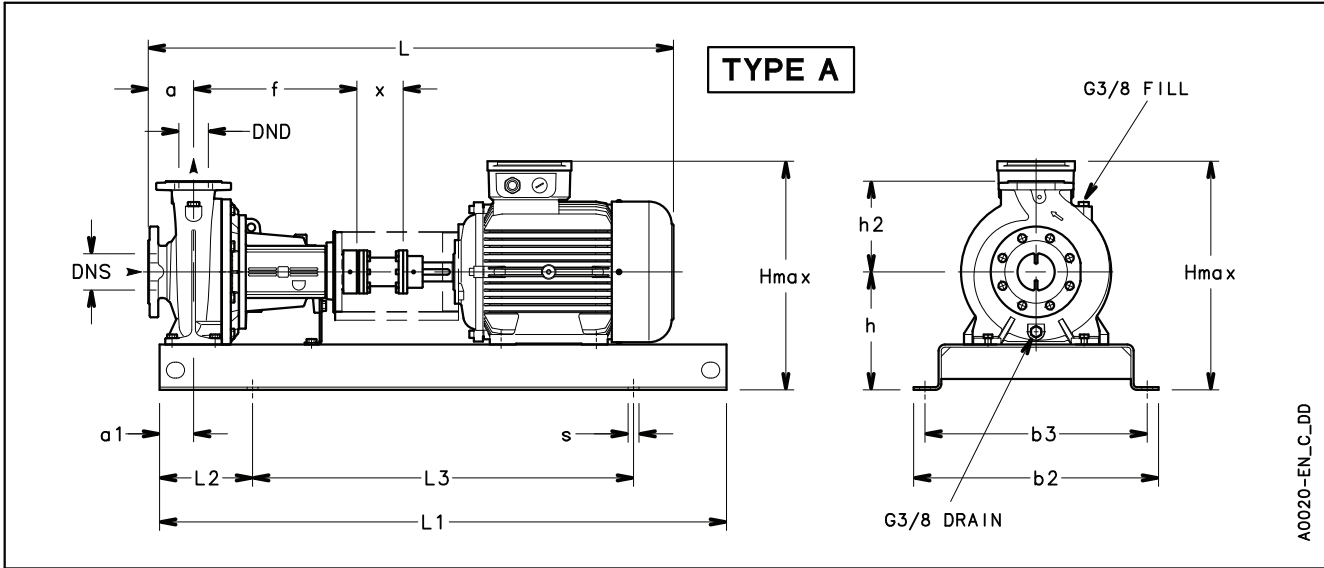
PUMP TYPE NSCF..4	TYPE	DIMENSIONS (mm)														H max	s FOR SCREWS	WEIGHT (kg) G	COUPLING TYPE
		DNS	DND	a	a1	b2	b3	f	h	h2	L	L1	L2	L3					
200-250/300/L	B	250	200	180	110	670	630	530	460	475	1495	1450	110	1230	935	6xØ19 (M16)	537	B125C	
200-250/370/L	B	250	200	180	110	750	710	530	480	475	1554	1660	110	1440	955	6xØ19 (M16)	646	B140B	
200-250/450/L	B	250	200	180	110	750	710	530	480	475	1554	1660	110	1440	955	6xØ19 (M16)	685	B140B	
200-250/550/L	B	250	200	180	110	750	710	530	480	475	1620	1660	110	1440	955	6xØ19 (M16)	792	B160B	
200-315/550/L	B	250	200	180	110	750	710	530	480	450	1620	1660	110	1440	930	6xØ19 (M16)	796	B160B	
200-315/750/L	B	250	200	180	110	750	710	530	480	450	1725	1660	110	1440	952	6xØ19 (M16)	858	B180B	
200-315/900/L	B	250	200	180	110	750	710	530	480	450	1725	1660	110	1440	952	6xØ19 (M16)	974	B180B	
200-315/1100/L	B	250	200	180	110	750	710	530	480	450	1869	1660	110	1440	952	6xØ19 (M16)	1041	B180B	
200-400/1100/L	B	250	200	180	165	860	810	770	585	500	2109	2000	165	1670	1115	6xØ26 (M20)	1489	B200A	
200-400/1320/L	B	250	200	180	165	860	810	770	585	500	2109	2000	165	1670	1115	6xØ26 (M20)	1518	B200A	
200-400/1600/L	B	250	200	180	165	860	810	770	585	500	2079	2000	165	1670	1115	6xØ26 (M20)	1553	B200A	
200-400/2000/L	B	250	200	180	165	860	810	770	585	500	2079	2000	165	1670	1160	6xØ26 (M20)	1648	B225A	
200-400/2500/L	B	250	200	180	165	860	810	770	585	500	2109	2000	165	1670	1160	6xØ26 (M20)	1912	B225A	
200-500/2500/L	B	250	200	200	165	860	810	770	635	560	2129	2000	165	1670	1210	6xØ26 (M20)	1971	B225A	
200-500/3150A/L	B	250	200	200	165	1000	930	770	675	560	2439	2200	165	1870	1300	6xØ29 (M24)	2255	B250A	
200-500/3150/L	B	250	200	200	165	1000	930	770	675	560	2439	2200	165	1870	1300	6xØ29 (M24)	2255	B250A	
200-500/3550/L	B	250	200	200	165	1000	930	770	675	560	2439	2200	165	1870	1300	6xØ29 (M24)	2210	B250A	
250-315/750/L	B	300	250	250	165	850	810	530	525	500	1795	1700	165	1370	1025	6xØ19 (M16)	971	B180B	
250-315/900/L	B	300	250	250	165	850	810	530	525	500	1795	1700	165	1370	1025	6xØ19 (M16)	1087	B180B	
250-315/1100/L	B	300	250	250	165	850	810	530	525	500	1939	1700	165	1370	1025	6xØ19 (M16)	1154	B180B	
250-400/1320/L	B	300	250	200	165	860	810	770	585	560	2129	2000	165	1670	1145	6xØ26 (M20)	1555	B200A	
250-400/1600/L	B	300	250	200	165	860	810	770	585	560	2099	2000	165	1670	1145	6xØ26 (M20)	1590	B200A	
250-400/2000/L	B	300	250	200	165	860	810	770	585	560	2099	2000	165	1670	1160	6xØ26 (M20)	1685	B225A	
250-400/2500/L	B	300	250	200	165	860	810	770	585	560	2129	2000	165	1670	1160	6xØ26 (M20)	1949	B225A	
250-400/3150/L	B	300	250	200	165	1000	930	770	625	560	2439	2200	165	1870	1250	6xØ29 (M24)	2236	B250A	
250-500/3150/L	B	300	250	200	165	1000	930	770	675	670	2439	2200	165	1870	1345	6xØ29 (M24)	2306	B250A	
250-500/3550/L	B	300	250	200	165	1000	930	770	675	670	2439	2200	165	1870	1345	6xØ29 (M24)	2261	B250A	
250-500/4000/L	B	300	250	200	165	1000	930	770	675	670	2639	2300	165	1970	1439	6xØ29 (M24)	2666	B250A	
300-350/1100/L	B	350	300	250	200	960	910	800	640	600	2209	2100	200	1700	1240	6xØ26 (M20)	1727	B200A	
300-350/1320/L	B	350	300	250	200	960	910	800	640	600	2209	2100	200	1700	1240	6xØ26 (M20)	1756	B200A	
300-350/1600/L	B	350	300	250	200	960	910	800	640	600	2179	2100	200	1700	1240	6xØ26 (M20)	1791	B200A	
300-350/2000/L	B	350	300	250	200	960	910	800	640	600	2179	2100	200	1700	1240	6xØ26 (M20)	1885	B225A	
300-400/2000/L	B	350	300	250	200	960	910	800	640	600	2179	2100	200	1700	1240	6xØ26 (M20)	1889	B225A	
300-400/2500/L	B	350	300	250	200	960	910	800	640	600	2209	2100	200	1700	1240	6xØ26 (M20)	2153	B225A	
300-400/3150/L	B	350	300	250	200	1000	930	800	680	600	2519	2250	200	1850	1305	6xØ29 (M24)	2418	B250A	
300-400/3550/L	B	350	300	250	200	1000	930	800	680	600	2519	2250	200	1850	1305	6xØ29 (M24)	2373	B250A	
300-400/4000/L	B	350	300	250	200	1000	930	800	680	600	2719	2350	200	1950	1444	6xØ29 (M24)	2779	B250A	

NOTE: Pumps with flanges according to EN 1092-2 as standard.

Nscf200-300_4p60-en_c_ld

Available ASME B16.5 version on request. For flanges dimensions see drawing.

NSCC 32 SERIES (SPACER COUPLING) DIMENSIONS AND WEIGHTS AT 60 Hz, 2 POLES



PUMP TYPE NSCC..2	TYPE	DIMENSIONS (mm)															WEIGHT kg	COUPLING TYPE	
		DNS	DND	a	a1	b2	b3	f	h	h2	L	L1	L2	L3	x	H max			s FOR SCREWS
32-125/15/P	A	50	32	80	60	390	350	360	212	140	888	900	150	600	100	352	4xØ19 (M16)	77	H80B
32-125/22/P	A	50	32	80	60	390	350	360	212	140	888	900	150	600	100	352	4xØ19 (M16)	80	H80B
32-125/30/P	A	50	32	80	60	390	350	360	212	140	919	900	150	600	100	366	4xØ19 (M16)	87	H80C
32-125/40/P	A	50	32	80	60	390	350	360	212	140	922	900	150	600	100	380	4xØ19 (M16)	92	H80C
32-125/55/P	A	50	32	80	60	450	400	360	232	140	987	1000	170	660	100	423	4xØ24 (M20)	121	H95A
32-160/40/P	A	50	32	80	60	390	350	360	232	160	922	900	150	600	100	400	4xØ19 (M16)	93	H80C
32-160/55/P	A	50	32	80	60	450	400	360	232	160	987	1000	170	660	100	423	4xØ24 (M20)	122	H95A
32-160/75/P	A	50	32	80	60	450	400	360	232	160	987	1000	170	660	100	423	4xØ24 (M20)	126	H95A
32-160/110A/P	A	50	32	80	60	490	440	360	260	160	1144	1120	190	740	100	500	4xØ24 (M20)	155	H95B
32-200/75/P	A	50	32	80	60	450	400	360	260	180	987	1000	170	660	100	451	4xØ24 (M20)	133	H95A
32-200/110A/P	A	50	32	80	60	490	440	360	260	180	1144	1120	190	740	100	500	4xØ24 (M20)	162	H95B
32-200/110/P	A	50	32	80	60	490	440	360	260	180	1144	1120	190	740	100	500	4xØ24 (M20)	162	H95B
32-250/110/P	A	50	32	100	75	540	490	360	280	225	1164	1250	205	840	100	520	4xØ24 (M20)	190	H95B
32-250/150/P	A	50	32	100	75	540	490	360	280	225	1164	1250	205	840	100	520	4xØ24 (M20)	207	H95B
32-250/185/P	A	50	32	100	75	540	490	360	280	225	1164	1250	205	840	100	520	4xØ24 (M20)	220	H95B
32-250/220/L	A	50	32	100	75	540	490	360	280	225	1161	1250	205	840	100	533	4xØ24 (M20)	251	H110A

NOTE: Pumps with flanges according to EN 1092-2 as standard.

Nssc32_2p60-en_b_td

Available ASME B16.5 version on request. For flanges dimensions see drawing.

**NSCC 40, 50, 65 SERIES (SPACER COUPLING)
DIMENSIONS AND WEIGHTS AT 60 Hz, 2 POLES**

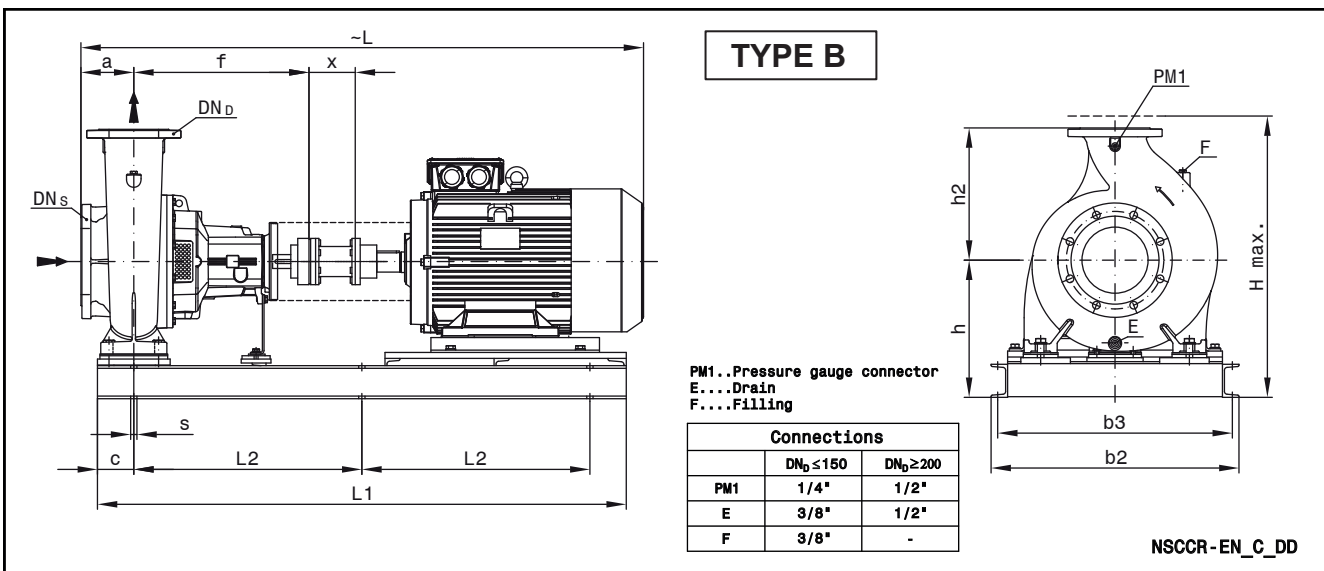
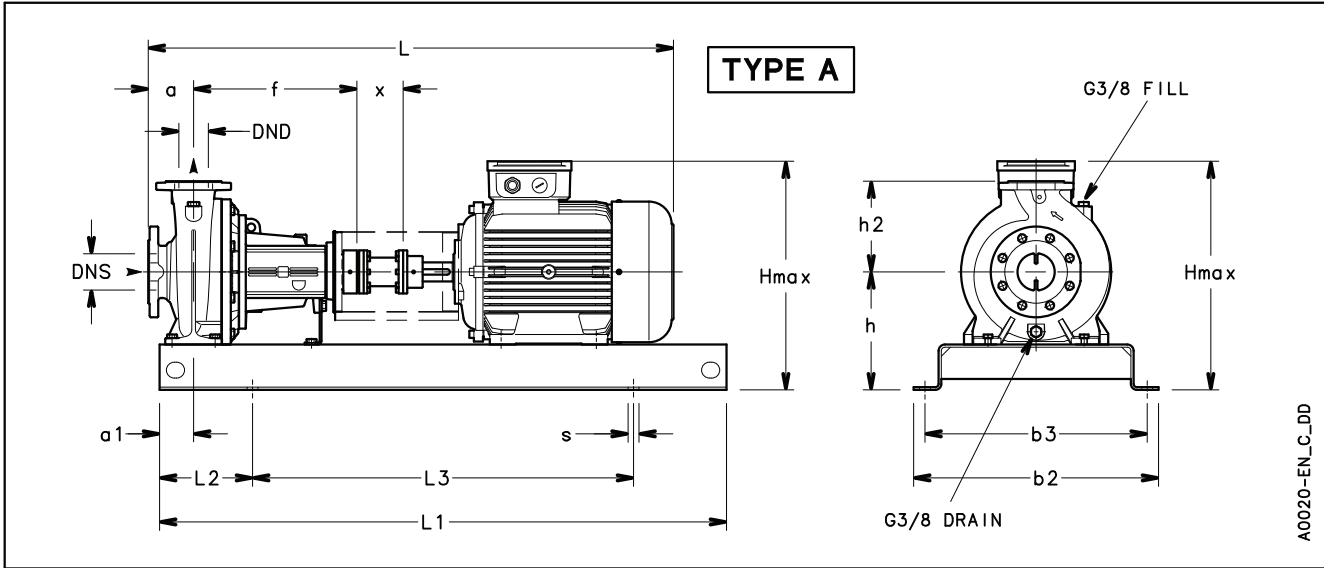
PUMP TYPE NSCC..2	TYPE	DIMENSIONS (mm)															WEIGHT kg	COUPLING TYPE	
		DNS	DND	a	a1	b2	b3	f	h	h2	L	L1	L2	L3	x	H max			s FOR SCREWS
40-125/30/P	A	65	40	80	60	390	350	360	212	140	919	900	150	600	100	366	4xØ19 (M16)	88	H80C
40-125/40/P	A	65	40	80	60	390	350	360	212	140	922	900	150	600	100	380	4xØ19 (M16)	93	H80C
40-125/55/P	A	65	40	80	60	450	400	360	232	140	987	1000	170	660	100	423	4xØ24 (M20)	122	H95A
40-125/75/P	A	65	40	80	60	450	400	360	232	140	987	1000	170	660	100	423	4xØ24 (M20)	126	H95A
40-160/55/P	A	65	40	80	60	450	400	360	232	160	987	1000	170	660	100	423	4xØ24 (M20)	123	H95A
40-160/75/P	A	65	40	80	60	450	400	360	232	160	987	1000	170	660	100	423	4xØ24 (M20)	127	H95A
40-160/110A/P	A	65	40	80	60	490	440	360	260	160	1144	1120	190	740	100	500	4xØ24 (M20)	156	H95B
40-160/110/P	A	65	40	80	60	490	440	360	260	160	1144	1120	190	740	100	500	4xØ24 (M20)	156	H95B
40-200/110A/P	A	65	40	100	60	490	440	360	260	180	1164	1120	190	740	100	500	4xØ24 (M20)	164	H95B
40-200/110/P	A	65	40	100	60	490	440	360	260	180	1164	1120	190	740	100	500	4xØ24 (M20)	164	H95B
40-200/150/P	A	65	40	100	60	490	440	360	260	180	1164	1120	190	740	100	500	4xØ24 (M20)	181	H95B
40-200/185/P	A	65	40	100	60	490	440	360	260	180	1164	1120	190	740	100	500	4xØ24 (M20)	194	H95B
40-250/185/P	A	65	40	100	75	540	490	360	280	225	1164	1250	205	840	100	520	4xØ24 (M20)	221	H95B
40-250/220/L	A	65	40	100	75	540	490	360	280	225	1261	1250	205	840	100	559	4xØ24 (M20)	252	H110A
40-250/300/L	A	65	40	100	75	610	550	360	310	225	1341	1400	205	940	100	627	4xØ28 (M24)	335	H125A
40-250/370/L	A	65	40	100	75	610	550	360	310	225	1341	1400	205	940	100	627	4xØ28 (M24)	355	H125A
50-125/55/P	A	65	50	100	60	450	400	360	232	160	1007	1000	170	660	100	423	4xØ24 (M20)	125	H95A
50-125/75/P	A	65	50	100	60	450	400	360	232	160	1007	1000	170	660	100	423	4xØ24 (M20)	129	H95A
50-125/110A/P	A	65	50	100	60	490	440	360	260	160	1164	1120	190	740	100	500	4xØ24 (M20)	158	H95B
50-125/110/P	A	65	50	100	60	490	440	360	260	160	1164	1120	190	740	100	500	4xØ24 (M20)	158	H95B
50-160/110A/P	A	65	50	100	60	490	440	360	260	180	1164	1120	190	740	100	500	4xØ24 (M20)	165	H95B
50-160/110/P	A	65	50	100	60	490	440	360	260	180	1164	1120	190	740	100	500	4xØ24 (M20)	165	H95B
50-160/150/P	A	65	50	100	60	490	440	360	260	180	1164	1120	190	740	100	500	4xØ24 (M20)	182	H95B
50-160/185/P	A	65	50	100	60	490	440	360	260	180	1164	1120	190	740	100	500	4xØ24 (M20)	195	H95B
50-200/185/P	A	65	50	100	60	490	440	360	260	200	1164	1120	190	740	100	500	4xØ24 (M20)	196	H95B
50-200/220/P	A	65	50	100	60	540	490	360	280	200	1261	1250	205	840	100	559	4xØ24 (M20)	234	H110A
50-200/300/L	A	65	50	100	60	610	550	360	310	200	1341	1400	230	940	100	627	4xØ28 (M24)	317	H125A
50-250/220/L	A	65	50	100	75	540	490	360	280	225	1261	1250	205	840	100	559	4xØ28 (M24)	253	H110A
50-250/300/L	A	65	50	100	75	610	550	360	310	225	1341	1400	230	940	100	627	4xØ28 (M24)	336	H125A
50-250/370/L	A	65	50	100	75	610	550	360	310	225	1341	1400	230	940	100	627	4xØ28 (M24)	356	H125A
50-315/550/L	B	65	50	125	110	750	710	470	405	280	1641	1550	110	1330	140	807	6xØ19 (M16)	663	H140A
50-315/750/L	B	65	50	125	110	750	710	470	405	280	1746	1550	110	1330	140	877	6xØ19 (M16)	747	H160A
65-125/75/P	A	80	65	100	75	450	400	360	260	180	1007	1000	170	660	100	451	4xØ24 (M20)	140	H95A
65-125/110A/P	A	80	65	100	75	490	440	360	260	180	1164	1120	190	740	100	500	4xØ24 (M20)	170	H95B
65-125/110/P	A	80	65	100	75	490	440	360	260	180	1164	1120	190	740	100	500	4xØ24 (M20)	170	H95B
65-160/150/P	A	80	65	100	75	540	490	360	260	200	1164	1250	205	840	100	500	4xØ24 (M20)	208	H95B
65-160/185/P	A	80	65	100	75	540	490	360	260	200	1164	1250	205	840	100	500	4xØ24 (M20)	221	H95B
65-160/220/P	A	80	65	100	75	540	490	360	280	200	1261	1250	205	840	100	559	4xØ24 (M20)	252	H110A
65-160/300/P	A	80	65	100	75	610	550	360	310	200	1341	1400	230	940	100	627	4xØ28 (M24)	335	H125A
65-200/220/L	A	80	65	100	75	540	490	360	280	225	1301	1250	205	840	140	559	4xØ24 (M20)	255	H110B
65-200/300/L	A	80	65	100	75	610	550	360	310	225	1381	1400	230	940	140	627	4xØ28 (M24)	338	H125G
65-200/370/L	A	80	65	100	75	610	550	360	310	225	1381	1400	230	940	140	627	4xØ28 (M24)	358	H125G
65-250/450/L	A	80	65	100	90	610	550	470	365	250	1520	1400	230	940	140	749	4xØ28 (M24)	468	H125C
65-250/550/L	A	80	65	100	90	660	600	470	390	250	1616	1600	270	1060	140	792	4xØ28 (M24)	694	H140A
65-250/750/L	A	80	65	100	90	730	670	470	420	250	1721	1800	300	1200	140	892	4xØ28 (M24)	839	H160A
65-315/750/L	B	80	65	125	110	750	710	470	390	280	1746	1550	110	1330	140	862	6xØ19 (M16)	745	H160A
65-315/900/L	B	80	65	125	110	750	710	470	390	280	1746	1550	110	1330	140	862	6xØ19 (M16)	872	H160A
65-315/1100/L	B	80	65	125	110	750	710	470	390	280	1860	1550	110	1330	140	862	6xØ19 (M16)	889	H160A

NOTE: Pumps with flanges according to EN 1092-2 as standard.

Nscc40-65-2p60-en_b_td

Available ASME B16.5 version on request. For flanges dimensions see drawing.

**NSCC 80, 100, 125 SERIES (SPACER COUPLING)
DIMENSIONS AND WEIGHTS AT 60 Hz, 2 POLES**



**NSCC 80, 100, 125 SERIES (SPACER COUPLING)
DIMENSIONS AND WEIGHTS AT 60 Hz, 2 POLES**

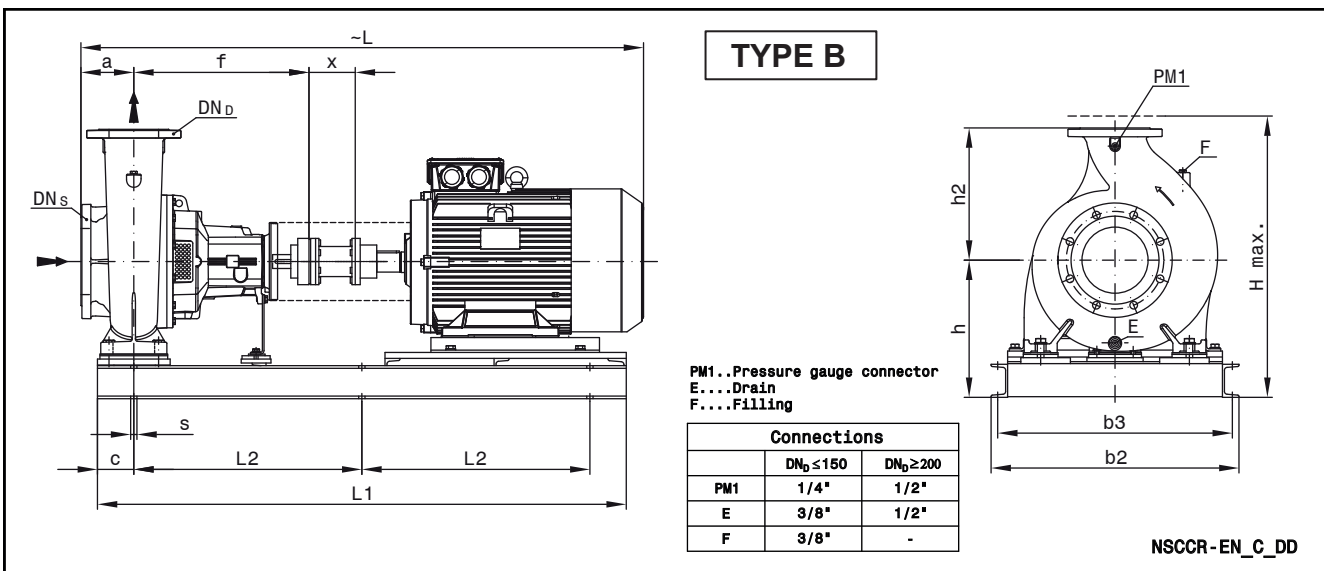
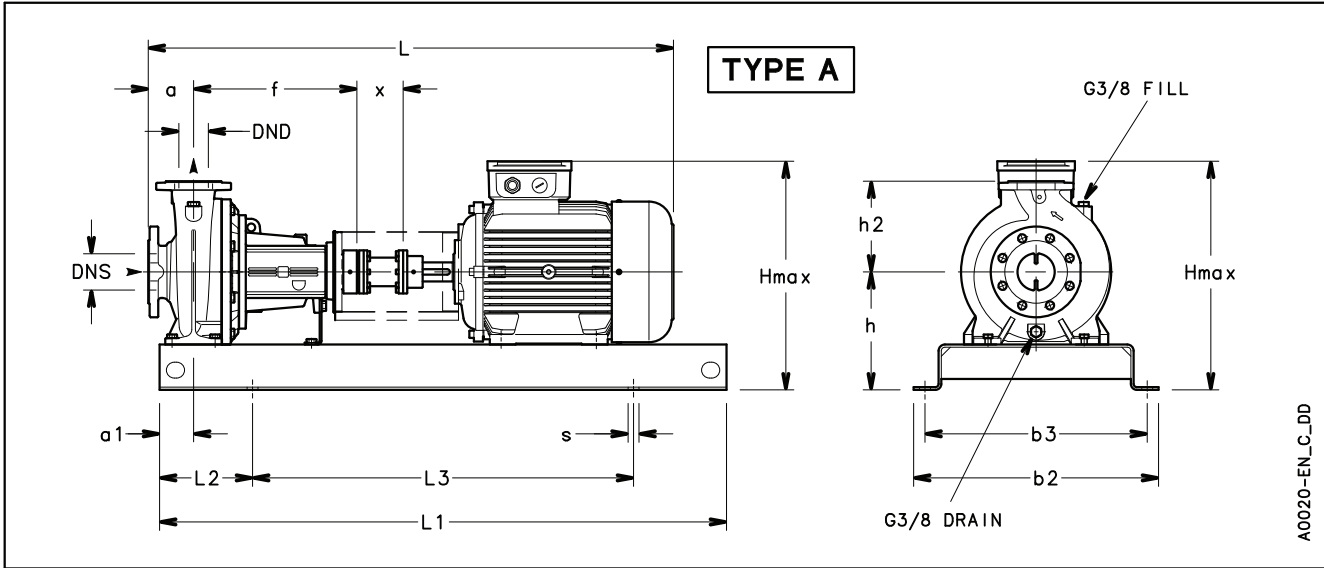
PUMP TYPE NSCC..2	TYPE	DIMENSIONS (mm)															WEIGHT (kg) G	COUPLING TYPE	
		DNS	DND	a	a1	b2	b3	f	h	h2	L	L1	L2	L3	x	H max			s FOR SCREWS
80-160/185/P	A	100	80	125	75	540	490	360	280	225	1229	1250	205	840	140	520	4xØ24 (M20)	227	H95F
80-160/220/L	A	100	80	125	75	540	490	360	280	225	1326	1250	205	840	140	559	4xØ24 (M20)	258	H110D
80-160/300/L	A	100	80	125	75	610	550	360	310	225	1406	1400	230	940	140	627	4xØ28 (M24)	341	H125G
80-160/370/L	A	100	80	125	75	610	550	360	310	225	1406	1400	230	940	140	627	4xØ28 (M24)	361	H125G
80-200/450/L	A	100	80	125	75	610	550	470	365	250	1545	1400	230	940	140	749	4xØ28 (M24)	470	H125C
80-200/550/L	A	100	80	125	75	660	600	470	390	250	1641	1600	270	1060	140	792	4xØ28 (M24)	696	H140A
80-200/750/L	A	100	80	125	75	730	670	470	420	250	1746	1800	300	1200	140	892	4xØ28 (M24)	841	H160A
80-250/550/L	A	100	80	125	90	660	600	470	390	280	1641	1600	270	1060	140	792	4xØ28 (M24)	699	H140A
80-250/750/L	A	100	80	125	90	730	670	470	420	280	1746	1800	300	1200	140	892	4xØ28 (M24)	844	H160A
100-160/300/L	B	125	100	125	110	560	520	470	330	280	1516	1350	110	1130	140	647	6xØ19 (M16)	372	H125C
100-160/370/L	B	125	100	125	110	560	520	470	330	280	1516	1350	110	1130	140	647	6xØ19 (M16)	396	H125C
100-160/450/L	B	125	100	125	110	560	520	470	355	280	1545	1350	110	1130	140	739	6xØ19 (M16)	464	H125C
100-160/550/L	B	125	100	125	110	750	710	470	405	280	1641	1550	110	1330	140	807	6xØ19 (M16)	657	H140A
100-200/550/L	B	125	100	125	110	750	710	470	405	280	1641	1550	110	1330	140	807	6xØ19 (M16)	665	H140A
100-200/750/L	B	125	100	125	110	750	710	470	390	280	1746	1550	110	1330	140	862	6xØ19 (M16)	740	H160A
100-200/900/L	B	125	100	125	110	750	710	470	390	280	1746	1550	110	1330	140	862	6xØ19 (M16)	867	H160A
100-200/1100/L	B	125	100	125	110	750	710	470	390	280	1860	1550	110	1330	140	862	6xØ19 (M16)	884	H160A
100-250/900/L	B	125	100	140	110	750	710	470	390	280	1761	1550	110	1330	140	862	6xØ19 (M16)	869	H160A
100-250/1100/L	B	125	100	140	110	750	710	470	390	280	1875	1550	110	1330	140	862	6xØ19 (M16)	886	H160A
125-200/750/L	B	150	125	140	110	750	710	470	405	315	1761	1550	110	1330	140	877	6xØ19 (M16)	757	H160A
125-200/900/L	B	150	125	140	110	750	710	470	405	315	1761	1550	110	1330	140	877	6xØ19 (M16)	884	H160A
125-200/1100/L	B	150	125	140	110	750	710	470	405	315	1875	1550	110	1330	140	877	6xØ19 (M16)	901	H160A

NOTE: Pumps with flanges according to EN 1092-2 as standard.

Nscc80-125_2p60-en_b_td

Available ASME B16.5 version on request. For flanges dimensions see drawing.

NSCC 32 SERIES (SPACER COUPLING) DIMENSIONS AND WEIGHTS AT 60 Hz, 4 POLES



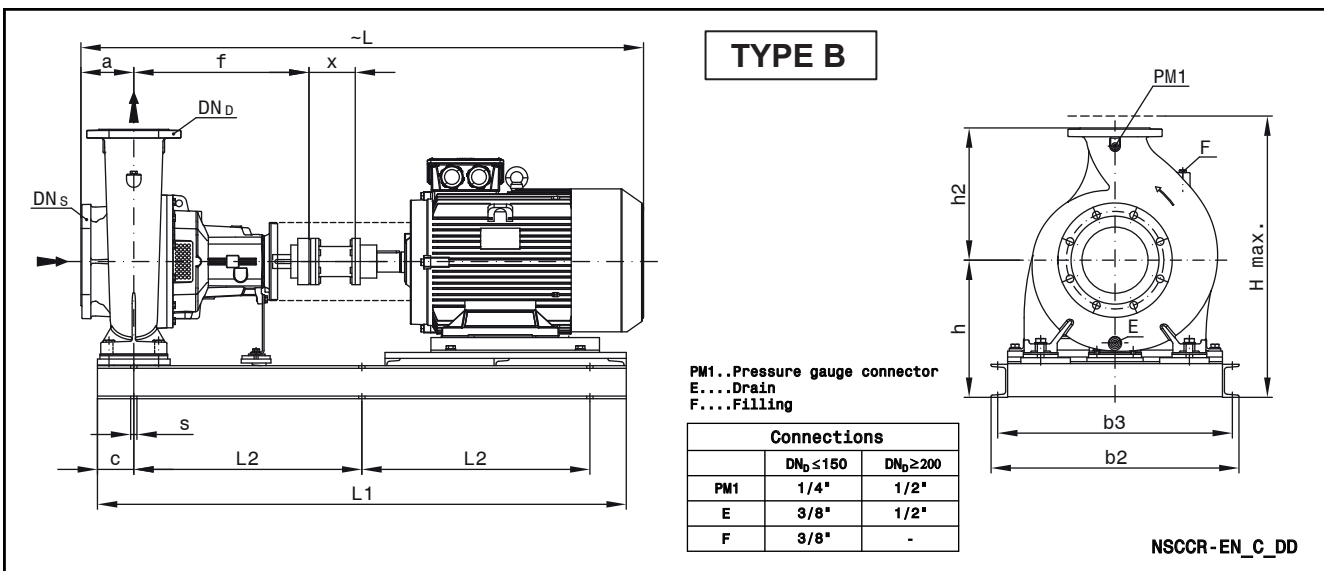
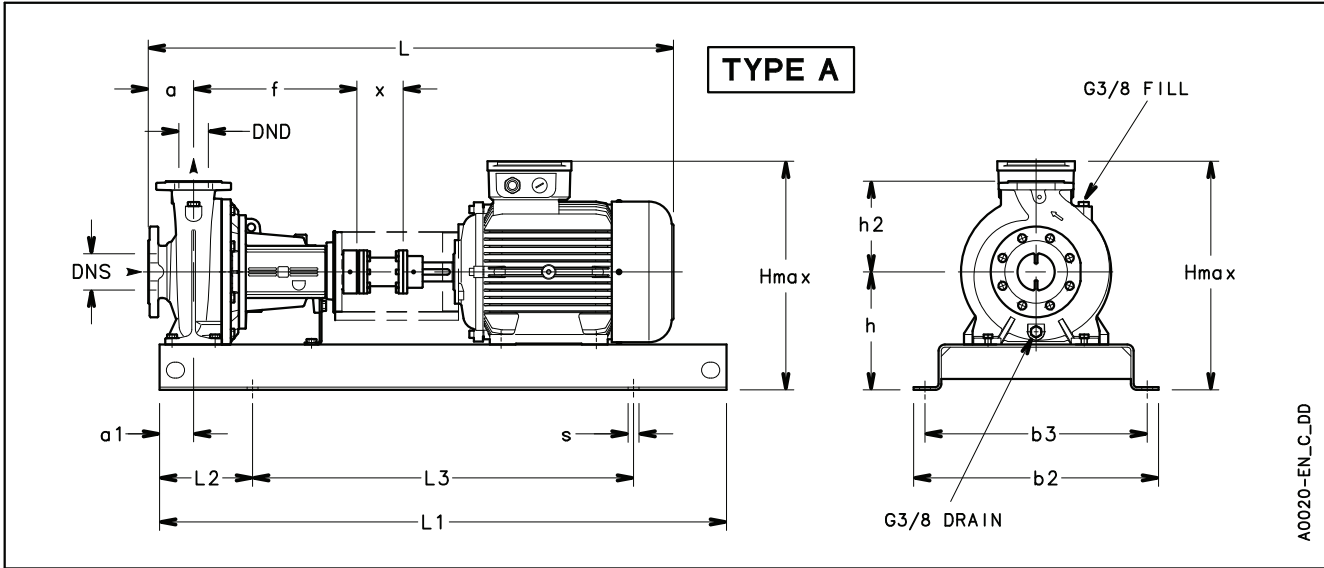
PUMP TYPE NSCC..4	TYPE	DIMENSIONS (mm)															WEIGHT kg	COUPLING TYPE	
		DN _S	DN _D	a	a1	b2	b3	f	h	h2	L	L1	L2	L3	x	H max			s FOR SCREWS
32-125/07/X	A	50	32	80	60	360	320	360	212	140	811	800	130	540	100	352	4xØ19 (M16)	71	H80A
32-160/07/X	A	50	32	80	60	360	320	360	232	160	811	800	130	540	100	392	4xØ19 (M16)	72	H80A
32-160/11/P	A	50	32	80	60	390	350	360	232	160	888	900	150	600	100	392	4xØ19 (M16)	81	H80B
32-200/11/P	A	50	32	80	60	390	350	360	260	180	888	900	150	600	100	440	4xØ19 (M16)	88	H80B
32-200/15/P	A	50	32	80	60	390	350	360	260	180	888	900	150	600	100	440	4xØ19 (M16)	93	H80B
32-200/22/P	A	50	32	80	60	390	350	360	260	180	965	900	150	600	100	440	4xØ19 (M16)	103	H80B
32-250/22/P	A	50	32	100	75	450	400	360	280	225	985	1000	170	660	100	505	4xØ24 (M20)	130	H80C
32-250/30A/P	A	50	32	100	75	450	400	360	280	225	1002	1000	170	660	100	505	4xØ24 (M20)	135	H80C
32-250/30/P	A	50	32	100	75	450	400	360	280	225	1002	1000	170	660	100	505	4xØ24 (M20)	135	H80C
32-250/40/P	A	50	32	100	75	450	400	360	280	225	1018	1000	170	660	100	505	4xØ24 (M20)	154	H80C

NOTE: Pumps with flanges according to EN 1092-2 as standard.

Nscc32_4p60-en_b_td

Available ASME B16.5 version on request. For flanges dimensions see drawing.

**NSCC 80, 100, 125 SERIES (SPACER COUPLING)
DIMENSIONS AND WEIGHTS AT 60 Hz, 4 POLES**



**NSCC 80, 100, 125 SERIES (SPACER COUPLING)
DIMENSIONS AND WEIGHTS AT 60 Hz, 4 POLES**

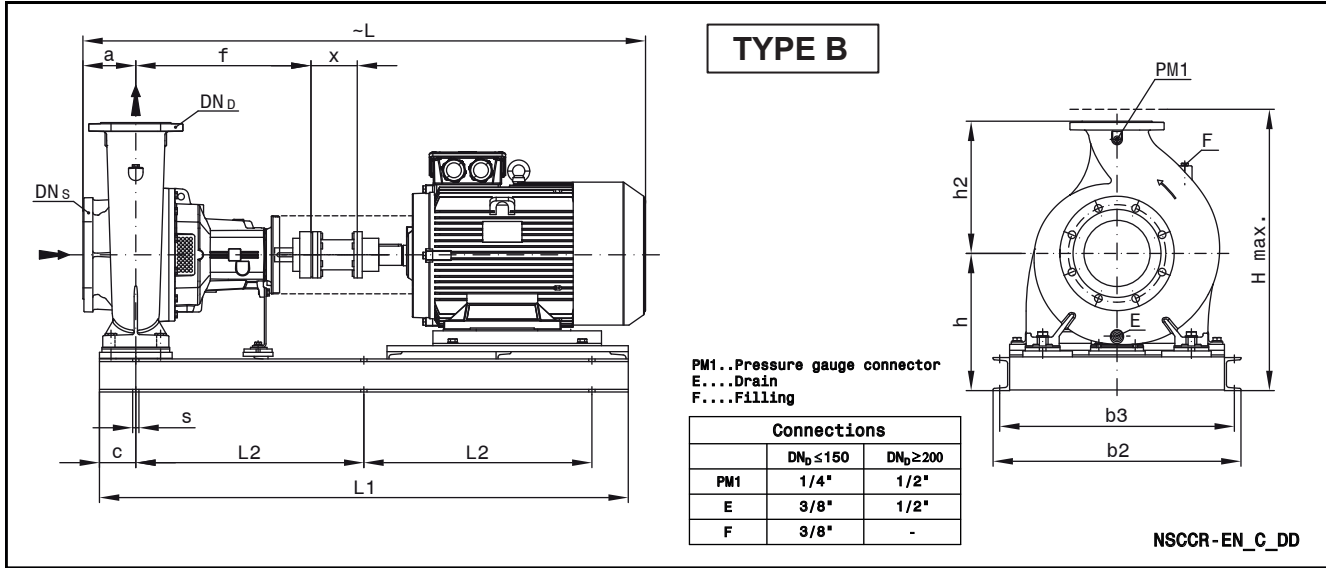
PUMP TYPE NSCC..4	TYPE	DIMENSIONS (mm)																WEIGHT (kg) G	COUPLING TYPE
		DNS	DND	a	a1	b2	b3	f	h	h2	L	L1	L2	L3	x	H max	s FOR SCREWS		
80-160/22/P	A	100	80	125	75	490	440	360	280	225	1050	1120	190	740	140	505	4xØ24 (M20)	143	H80F
80-160/30/P	A	100	80	125	75	490	440	360	280	225	1067	1120	190	740	140	505	4xØ24 (M20)	148	H80F
80-160/40/P	A	100	80	125	75	490	440	360	280	225	1110	1120	190	740	140	505	4xØ24 (M20)	167	H80F
80-160/55/P	A	100	80	125	75	490	440	360	280	225	1110	1120	190	740	140	505	4xØ24 (M20)	176	H95H
80-200/55/P	A	100	80	125	75	490	440	470	280	250	1220	1120	190	740	140	530	4xØ24 (M20)	194	H95D
80-200/75/P	A	100	80	125	75	490	440	470	280	250	1220	1120	190	740	140	530	4xØ24 (M20)	198	H95D
80-200/110/P	A	100	80	125	75	540	490	470	280	250	1339	1250	205	840	140	530	4xØ24 (M20)	259	H95E
80-250/75/P	A	100	80	125	90	540	490	470	310	280	1220	1250	205	840	140	590	4xØ24 (M20)	207	H95D
80-250/110A/P	A	100	80	125	90	540	490	470	310	280	1339	1250	205	840	140	590	4xØ24 (M20)	262	H95E
80-250/110/P	A	100	80	125	90	540	490	470	310	280	1339	1250	205	840	140	590	4xØ24 (M20)	262	H95E
80-250/150/P	A	100	80	125	90	540	490	470	310	280	1339	1250	205	840	140	590	4xØ24 (M20)	267	H95E
100-160/40/P	B	125	100	125	110	670	630	470	365	280	1193	1100	110	880	140	645	6xØ19 (M16)	242	H95C
100-160/55/P	B	125	100	125	110	670	630	470	385	280	1220	1100	110	880	140	665	6xØ19 (M16)	250	H95D
100-160/75/P	B	125	100	125	110	670	630	470	385	280	1220	1100	110	880	140	665	6xØ19 (M16)	255	H95D
100-200/55/P	B	125	100	125	110	670	630	470	385	280	1220	1100	110	880	140	665	6xØ19 (M16)	258	H95D
100-200/75/P	B	125	100	125	110	670	630	470	385	280	1220	1100	110	880	140	665	6xØ19 (M16)	263	H95D
100-200/110/P	B	125	100	125	110	670	630	470	365	280	1339	1330	110	1110	140	645	6xØ19 (M16)	337	H95E
100-200/150/P	B	125	100	125	110	670	630	470	365	280	1339	1330	110	1110	140	645	6xØ19 (M16)	343	H110D
100-250/110/P	B	125	100	140	110	670	630	470	365	280	1354	1330	110	1110	140	645	6xØ19 (M16)	340	H95E
100-250/150/P	B	125	100	140	110	670	630	470	365	280	1354	1330	110	1110	140	645	6xØ19 (M16)	346	H110D
100-250/185/L	B	125	100	140	110	670	630	470	385	280	1451	1330	110	1110	140	665	6xØ19 (M16)	353	H110B
100-315/220/L	B	125	100	140	110	670	630	470	385	315	1451	1330	110	1110	140	700	6xØ19 (M16)	376	H110B
100-315/300/L	B	125	100	140	110	560	520	470	355	315	1531	1350	110	1130	140	672	6xØ19 (M16)	407	H125C
100-315/370/L	B	125	100	140	110	750	710	470	405	315	1590	1550	110	1330	140	789	6xØ19 (M16)	522	H140A
100-315/450/L	B	125	100	140	110	750	710	470	405	315	1590	1550	110	1330	140	789	6xØ19 (M16)	561	H140A
100-400/450/L	B	125	100	140	110	750	710	530	415	355	1650	1600	110	1380	140	799	6xØ19 (M16)	631	H140B
100-400/550/L	B	125	100	140	110	750	710	530	440	355	1716	1600	110	1380	140	842	6xØ19 (M16)	755	H160B
100-400/750/L	B	125	100	140	110	750	710	530	425	355	1821	1600	110	1380	140	897	6xØ19 (M16)	808	H180B
125-200/75/P	B	150	125	140	110	670	630	470	385	315	1235	1100	110	880	140	700	6xØ19 (M16)	270	H95D
125-200/110/P	B	150	125	140	110	670	630	470	365	315	1354	1330	110	1110	140	680	6xØ19 (M16)	345	H95E
125-200/150/P	B	150	125	140	110	670	630	470	365	315	1354	1330	110	1110	140	680	6xØ19 (M16)	351	H110D
125-200/185/L	B	150	125	140	110	670	630	470	385	315	1451	1330	110	1110	140	700	6xØ19 (M16)	357	H110B
125-250/150/P	B	150	125	140	110	670	630	470	365	355	1354	1330	110	1110	140	720	6xØ19 (M16)	351	H110D
125-250/185/L	B	150	125	140	110	670	630	470	385	355	1451	1330	110	1110	140	740	6xØ19 (M16)	357	H110B
125-250/220/L	B	150	125	140	110	670	630	470	385	355	1451	1330	110	1110	140	740	6xØ19 (M16)	372	H110B
125-250/300/L	B	150	125	140	110	560	520	470	355	355	1531	1350	110	1130	140	710	6xØ19 (M16)	403	H125C
125-315/300/L	B	150	125	140	110	670	630	530	420	355	1591	1430	110	1210	140	775	6xØ19 (M16)	470	H125D
125-315/370/L	B	150	125	140	110	750	710	530	415	355	1650	1600	110	1380	140	799	6xØ19 (M16)	566	H140B
125-315/450/L	B	150	125	140	110	750	710	530	415	355	1650	1600	110	1380	140	799	6xØ19 (M16)	605	H140B
125-315/550/L	B	150	125	140	110	750	710	530	440	355	1716	1600	110	1380	140	842	6xØ19 (M16)	729	H160B
125-315/750/L	B	150	125	140	110	750	710	530	440	355	1821	1600	110	1380	140	912	6xØ19 (M16)	793	H180B
125-400/550/L	B	150	125	140	110	750	710	530	440	400	1716	1600	110	1380	140	842	6xØ19 (M16)	763	H160B
125-400/750/L	B	150	125	140	110	750	710	530	440	400	1821	1600	110	1380	140	912	6xØ19 (M16)	827	H180B
125-400/900/L	B	150	125	140	110	750	710	530	440	400	1821	1600	110	1380	140	912	6xØ19 (M16)	939	H180B
125-400/1100/L	B	150	125	140	110	750	710	530	440	400	1965	1600	110	1380	140	912	6xØ19 (M16)	1010	H180B

NOTE: Pumps with flanges according to EN 1092-2 as standard.

Nscc80-125_4p60-en_b_id

Available ASME B16.5 version on request. For flanges dimensions see drawing.

NSCC 150 SERIES (SPACER COUPLING) DIMENSIONS AND WEIGHTS AT 60 Hz, 4 POLES



PUMP TYPE NSCC..4	TYPE	DIMENSIONS (mm)															H max	s FOR SCREWS	WEIGHT (kg) G	COUPLING TYPE
		DN _S	DN _D	a	a1	b2	b3	f	h	h2	L	L1	L2	L3	x					
150-200/150/P	B	200	150	160	110	670	630	470	385	400	1374	1330	110	1110	140	785	6xØ19 (M16)	408	H110D	
150-200/185/L	B	200	150	160	110	670	630	470	385	400	1471	1330	110	1110	140	785	6xØ19 (M16)	404	H110B	
150-200/220/L	B	200	150	160	110	670	630	470	385	400	1471	1330	110	1110	140	785	6xØ19 (M16)	419	H110B	
150-250/220/L	B	200	150	160	110	670	630	530	400	400	1531	1430	110	1210	140	800	6xØ19 (M16)	440	H110C	
150-250/300/L	B	200	150	160	110	670	630	530	420	400	1611	1430	110	1210	140	820	6xØ19 (M16)	498	H125D	
150-250/370/L	B	200	150	160	110	750	710	530	415	400	1670	1600	110	1380	140	815	6xØ19 (M16)	594	H140B	
150-250/450/L	B	200	150	160	110	750	710	530	415	400	1670	1600	110	1380	140	815	6xØ19 (M16)	633	H140B	
150-315/450/L	B	200	150	160	110	750	710	530	415	400	1670	1600	110	1380	140	815	6xØ19 (M16)	639	H140B	
150-315/550/L	B	200	150	160	110	750	710	530	440	400	1736	1600	110	1380	140	842	6xØ19 (M16)	763	H160B	
150-315/750/L	B	200	150	160	110	750	710	530	440	400	1786	1600	110	1380	140	912	6xØ19 (M16)	827	H180B	
150-315/900/L	B	200	150	160	110	750	710	530	440	400	1841	1600	110	1380	140	912	6xØ19 (M16)	939	H180B	
150-400/750/L	B	200	150	160	110	750	710	530	440	450	1786	1600	110	1380	140	912	6xØ19 (M16)	855	H180B	
150-400/900/L	B	200	150	160	110	750	710	530	440	450	1841	1600	110	1380	140	912	6xØ19 (M16)	967	H180B	
150-400/1100/L	B	200	150	160	110	750	710	530	440	450	1841	1600	110	1380	140	912	6xØ19 (M16)	1038	H180B	
150-500/1600/L	B	200	150	180	165	860	810	770	585	500	2325	2250	165	1920	250	1115	6xØ26 (M20)	1622	H200A	
150-500/2000/L	B	200	150	180	165	860	810	770	585	500	2325	2250	165	1920	250	1160	6xØ26 (M20)	1721	H225A	
150-500/2500/L	B	200	150	180	165	860	810	770	585	500	2355	2250	165	1920	250	1160	6xØ26 (M20)	1985	H225A	
150-500/3150/L	B	200	150	180	165	1000	930	770	625	500	2665	2450	165	2120	250	1250	6xØ29 (M24)	2280	H250A	

NOTE: Pumps with flanges according to EN 1092-2 as standard.

Nscc150_4p60-en_b_td

Available ASME B16.5 version on request. For flanges dimensions see drawing.

NSCC 200, 250, 300 SERIES (SPACER COUPLING) DIMENSIONS AND WEIGHTS AT 60 Hz, 4 POLES

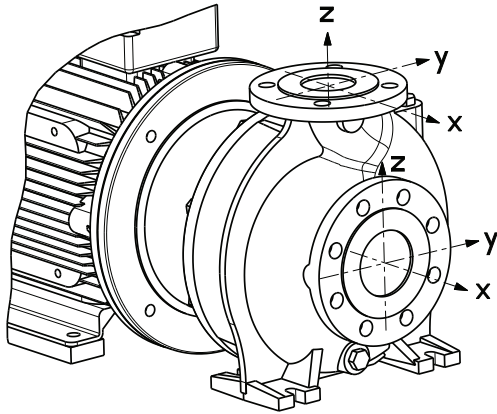
PUMP TYPE NSCC..4	TYPE	DIMENSIONS (mm)																WEIGHT (kg) G	COUPLING TYPE
		DNS	DND	a	a1	b2	b3	f	h	h2	L	L1	L2	L3	x	H max	s FOR SCREWS		
200-250/300/L	B	250	200	180	110	670	630	530	460	475	1691	1450	110	1230	200	935	6xØ19 (M16)	541	H125F
200-250/370/L	B	250	200	180	110	750	710	530	480	475	1751	1660	110	1440	200	955	6xØ19 (M16)	653	H140C
200-250/450/L	B	250	200	180	110	750	710	530	480	475	1751	1660	110	1440	200	955	6xØ19 (M16)	692	H140C
200-250/550/L	B	250	200	180	110	750	710	530	480	475	1817	1660	110	1440	200	955	6xØ19 (M16)	800	H160C
200-315/550/L	B	250	200	180	110	750	710	530	480	450	1817	1660	110	1440	200	930	6xØ19 (M16)	804	H160C
200-315/750/L	B	250	200	180	110	750	710	530	480	450	1922	1660	110	1440	200	952	6xØ19 (M16)	868	H180C
200-315/900/L	B	250	200	180	110	750	710	530	480	450	1922	1660	110	1440	200	952	6xØ19 (M16)	980	H180C
200-315/1100/L	B	250	200	180	110	750	710	530	480	450	2066	1660	110	1440	200	952	6xØ19 (M16)	1051	H180C
200-400/1100/L	B	250	200	180	165	860	810	770	585	500	2356	2250	165	1920	250	1115	6xØ26 (M20)	1513	H200A
200-400/1320/L	B	250	200	180	165	860	810	770	585	500	2356	2250	165	1920	250	1115	6xØ26 (M20)	1542	H200A
200-400/1600/L	B	250	200	180	165	860	810	770	585	500	2356	2250	165	1920	250	1115	6xØ26 (M20)	1577	H200A
200-400/2000/L	B	250	200	180	165	860	810	770	585	500	2356	2250	165	1920	250	1160	6xØ26 (M20)	1676	H225A
200-400/2500/L	B	250	200	180	165	860	810	770	585	500	2356	2250	165	1920	250	1160	6xØ26 (M20)	1940	H225A
200-500/2500/L	B	250	200	200	165	860	810	770	635	560	2376	2250	165	1920	250	1210	6xØ26 (M20)	2000	H225A
200-500/3150A/L	B	250	200	200	165	1000	930	770	675	560	2685	2450	165	2120	250	1300	6xØ29 (M24)	2292	H250A
200-500/3150/L	B	250	200	200	165	1000	930	770	675	560	2685	2450	165	2120	250	1300	6xØ29 (M24)	2292	H250A
200-500/3550/L	B	250	200	200	165	1000	930	770	675	560	2685	2450	165	2120	250	1300	6xØ29 (M24)	2247	H250A
250-315/750/L	B	300	250	250	165	850	810	530	525	500	1992	1700	165	1370	200	1025	6xØ19 (M16)	980	H180C
250-315/900/L	B	300	250	250	165	850	810	530	525	500	1992	1700	165	1370	200	1025	6xØ19 (M16)	1092	H180C
250-315/1100/L	B	300	250	250	165	850	810	530	525	500	2136	1700	165	1370	200	1025	6xØ19 (M16)	1163	H180C
250-400/1320/L	B	300	250	200	165	860	810	770	585	560	2376	2250	165	1920	250	1145	6xØ26 (M20)	1579	H200A
250-400/1600/L	B	300	250	200	165	860	810	770	585	560	2376	2250	165	1920	250	1145	6xØ26 (M20)	1614	H200A
250-400/2000/L	B	300	250	200	165	860	810	770	585	560	2376	2250	165	1920	250	1160	6xØ26 (M20)	1713	H225A
250-400/2500/L	B	300	250	200	165	860	810	770	585	560	2376	2250	165	1920	250	1160	6xØ26 (M20)	1977	H225A
250-400/3150/L	B	300	250	200	165	1000	930	770	625	560	2685	2450	165	2120	250	1250	6xØ29 (M24)	2272	H250A
250-500/3150/L	B	300	250	200	165	1000	930	770	675	670	2685	2450	165	2120	250	1345	6xØ29 (M24)	2343	H250A
250-500/3550/L	B	300	250	200	165	1000	930	770	675	670	2685	2450	165	2120	250	1345	6xØ29 (M24)	2298	H250A
250-500/4000/L	B	300	250	200	165	1000	930	770	675	670	2885	2550	165	2220	250	1439	6xØ29 (M24)	2703	H250A
300-350/1100/L	B	350	300	250	200	960	910	800	640	600	2506	2400	200	2000	300	1240	6xØ26 (M20)	1733	N176A
300-350/1320/L	B	350	300	250	200	960	910	800	640	600	2506	2400	200	2000	300	1240	6xØ26 (M20)	1762	N176A
300-350/1600/L	B	350	300	250	200	960	910	800	640	600	2506	2400	200	2000	300	1240	6xØ26 (M20)	1797	N176A
300-350/2000/L	B	350	300	250	200	960	910	800	640	600	2506	2400	200	2000	300	1240	6xØ26 (M20)	1890	N185A
300-400/2000/L	B	350	300	250	200	960	910	800	640	600	2506	2400	200	2000	300	1240	6xØ26 (M20)	1894	N185A
300-400/2500/L	B	350	300	250	200	960	910	800	640	600	2506	2400	200	2000	300	1240	6xØ26 (M20)	2158	N185A
300-400/3150/L	B	350	300	250	200	1000	930	800	680	600	2815	2550	200	2150	300	1305	6xØ29 (M24)	2421	N212A
300-400/3550/L	B	350	300	250	200	1000	930	800	680	600	2815	2550	200	2150	300	1305	6xØ29 (M24)	2376	N212A
300-400/4000/L	B	350	300	250	200	1000	930	800	680	600	3015	2650	200	2250	300	1444	6xØ29 (M24)	2781	N212A

NOTE: Pumps with flanges according to EN 1092-2 as standard.

Nscc200-300_4p60-en_b_td

Available ASME B16.5 version on request. For flanges dimensions see drawing.

e-NSC SERIES FORCES AND MOMENTS AT PUMP FLANGES



Forces at the pump flanges calculated according to EN ISO 5199:2002.

When the applied loads do not all attain the maximum values allowed, one of these loads may exceed the normal limit, provided that the following supplementary conditions are satisfied:

- any component of a force or of a moment shall be limited to 1,4 times the maximum allowable value;
- the actual forces and moments acting on each flange are governed by the following formula:

$$\left(\frac{\sum |F_{x,y,z}|}{\sum |F_{max}|}\right)^2 + \left(\frac{\sum |M_{x,y,z}|}{\sum |M_{max}|}\right)^2 \leq 2$$

Cast iron casing EN-GJL-250 / EN-GJS-400

Size	Suction									Discharge								
	DNS	F _{xmax} [N]	F _{ymax} [N]	F _{zmax} [N]	ΣF _{max} [N]	M _{xmax} [Nm]	M _{ymax} [Nm]	M _{zmax} [Nm]	ΣM _{max} [Nm]	DNS	F _{xmax} [N]	F _{ymax} [N]	F _{zmax} [N]	ΣF _{max} [N]	M _{xmax} [Nm]	M _{ymax} [Nm]	M _{zmax} [Nm]	ΣM _{max} [Nm]
32-...	50	580	530	480	925	490	350	405	730	32	320	300	370	575	385	265	300	560
40-...	65	740	650	600	1155	525	385	420	775	40	390	350	440	685	455	315	370	670
50-...	65	740	650	600	1155	525	385	420	775	50	530	480	580	925	490	350	405	730
65-...	80	880	790	720	1385	560	405	455	830	65	650	600	740	1155	525	385	420	775
80-...	100	1180	1050	950	1845	615	440	510	915	80	790	720	880	1385	560	405	455	830
100-...	125	1390	1250	1120	2180	735	525	665	1125	100	1050	950	1180	1845	615	440	510	915
125-...	150	1750	1580	1420	2755	875	615	720	1290	125	1250	1120	1390	2180	735	525	665	1125
150-...	200	2350	2100	1890	3675	1140	805	930	1680	150	1580	1420	1750	2755	875	615	720	1290
200-...	250	3340	2980	2700	5230	1780	1260	1460	2625	200	2100	1890	2350	3675	1140	805	930	1680
250-...	300	4000	3580	3220	6260	2420	1720	1980	3570	250	2980	2700	3340	5230	1780	1260	1460	2625
300-...	350	4660	4180	3760	7305	3100	2200	2540	4575	300	3580	3220	4000	6260	2420	1720	1980	3570

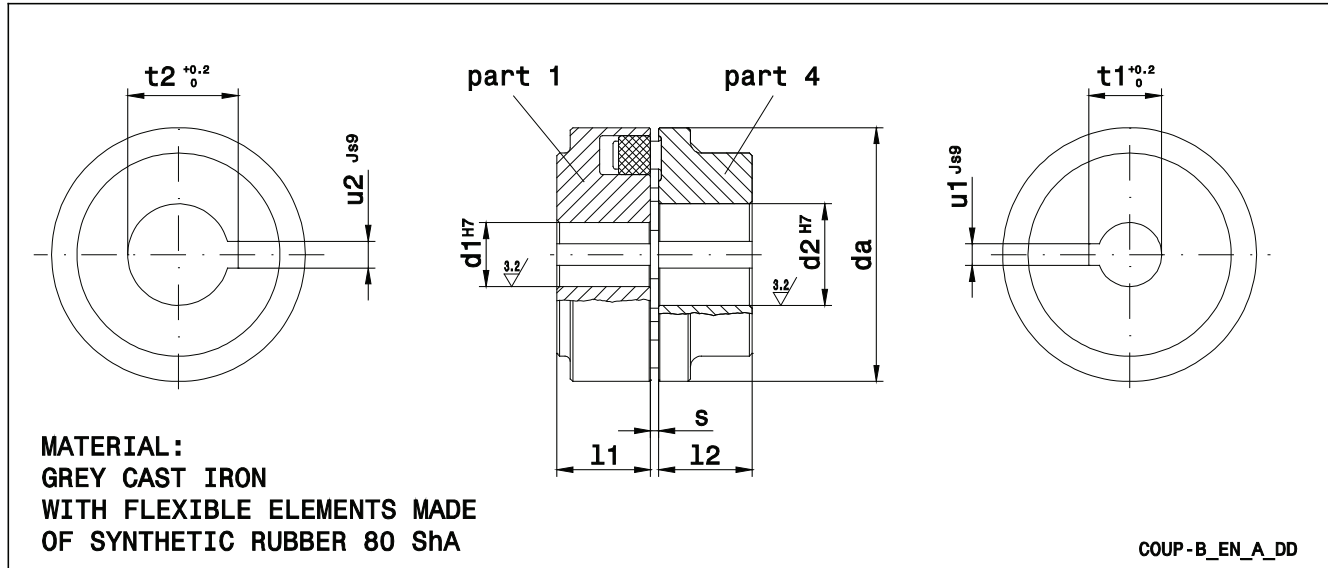
NSC_load-en_a_td

Stainless steel casing (1.4408) - Duplex (1.4517)

Size	Suction									Discharge								
	DNS	F _{xmax} [N]	F _{ymax} [N]	F _{zmax} [N]	ΣF _{max} [N]	M _{xmax} [Nm]	M _{ymax} [Nm]	M _{zmax} [Nm]	ΣM _{max} [Nm]	DNS	F _{xmax} [N]	F _{ymax} [N]	F _{zmax} [N]	ΣF _{max} [N]	M _{xmax} [Nm]	M _{ymax} [Nm]	M _{zmax} [Nm]	ΣM _{max} [Nm]
50-315	65	1470	1300	1190	2295	1050	770	840	1550	50	1050	950	1160	1835	980	700	805	1450
65-...	80	1750	1580	1440	2765	1120	805	910	1655	65	1300	1190	1470	2295	1050	770	840	1550
80-...	100	2350	2100	1890	3675	1225	875	1015	1820	80	1580	1440	1750	2765	1120	805	910	1655
100-...	125	2770	2490	2240	4350	1470	1050	1330	2245	100	2100	1890	2350	3675	1230	880	1020	1830
125-...	150	3500	3150	2840	5500	1750	1225	1435	2575	125	2490	2240	2770	4350	1470	1050	1330	2245
150-...	200	4690	4200	3780	7345	2275	1610	1855	3350	150	3150	2840	3500	5500	1750	1225	1435	2575
200-...	250	5850	5220	4730	9160	3115	2205	2555	4595	200	4200	3780	4690	7345	2275	1610	1855	3350
250-...	300	7000	6270	5640	10965	4235	3010	3465	6250	250	5220	4730	5850	9160	3115	2205	2555	4595
300-...	350	8160	7320	6580	12790	5425	3850	4445	8005	300	6270	5640	7000	10965	4235	3010	3465	6250

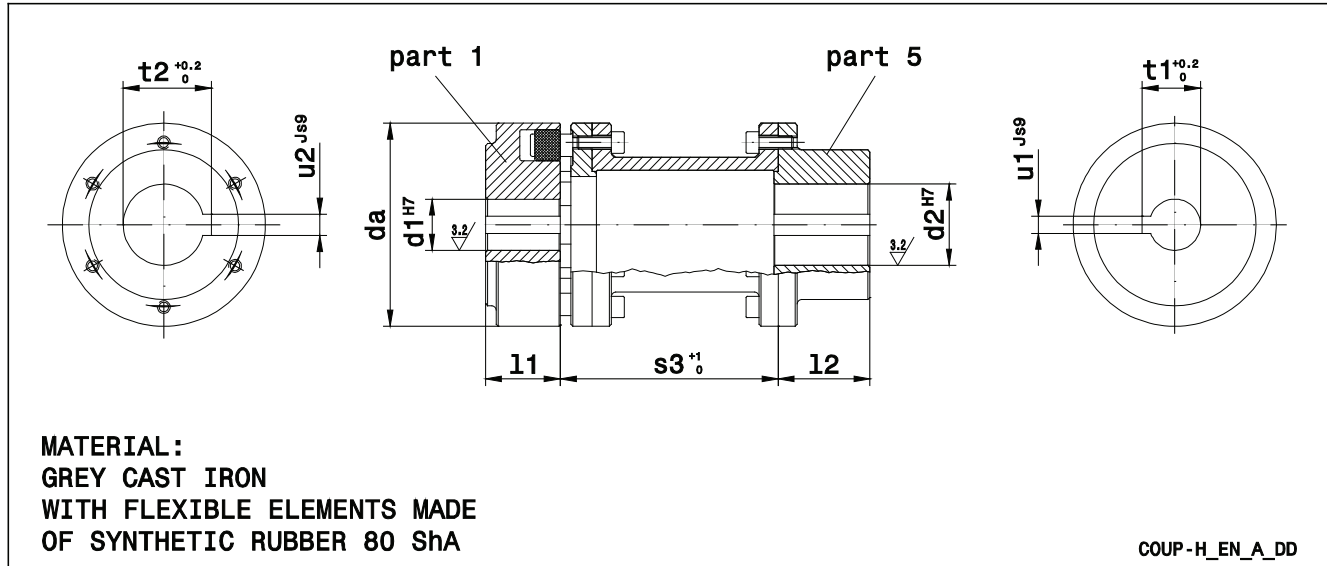
NSC_load_ss-en_a_td

ACCESSORIES

FLEXIBLE COUPLING DIMENSIONS


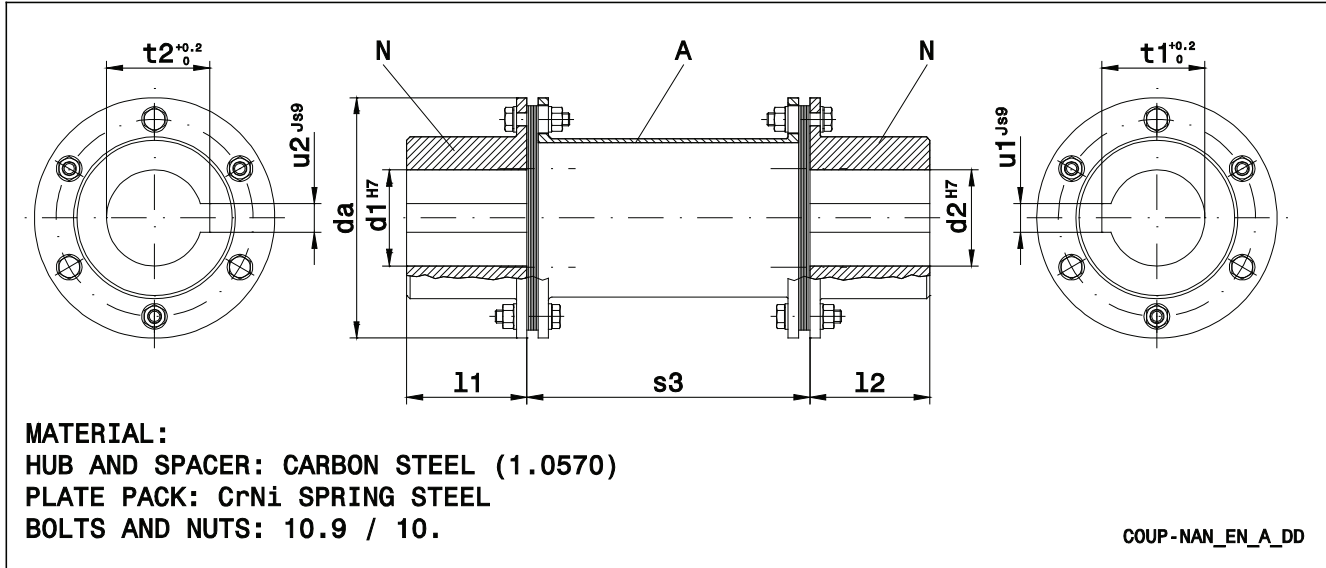
REF.	DENOMINATION	DIMENSIONS (mm)									
		d _a	PART 1 PUMP-SIDE HALF COUPLING				PART 4 MOTOR-SIDE HALF COUPLING				
			SIZE x d ₁ x d ₂	d ₁ ^{H7}	l ₁	u ₁ ^{js9}	t ₁ 0 ^{+0.2}	s	d ₂ ^{H7}	l ₂	u ₂ ^{js9}
B68A	B 68 x 24 x 14	68	24	20	8	27,3	2÷4	14	20	5	16,3
B68B	B 68 x 24 x 19	68	24	20	8	27,3	2÷4	19	20	6	21,8
B68C	B 68 x 24 x 24	68	24	20	8	27,3	2÷4	24	20	8	27,3
B80A	B 80 x 24 x 28	80	24	30	8	27,3	2÷4	28	30	8	31,3
B95A	B 95 x 24 x 38	95	24	35	8	27,3	2÷4	38	35	10	41,3
B95B	B 95 x 24 x 42	95	24	35	8	27,3	2÷4	42	35	12	45,3
B95C	B 95 x 32 x 28	95	32	35	10	35,3	2÷4	28	35	8	31,3
B95D	B 95 x 32 x 38	95	32	35	10	35,3	2÷4	38	35	10	41,3
B95E	B 95 x 32 x 42	95	32	35	10	35,3	2÷4	42	35	12	45,3
B95F	B 95 x 42 x 42	95	42	35	12	45,3	2÷4	42	35	12	45,3
B110A	B 110 x 24 x 48	110	24	40	8	27,3	2÷4	48	40	14	51,8
B110B	B 110 x 32 x 48	110	32	40	10	35,3	2÷4	48	40	14	51,8
B110C	B 110 x 42 x 42	110	42	40	12	45,3	2÷4	42	40	12	45,3
B110D	B 110 x 42 x 48	110	42	40	12	45,3	2÷4	48	40	14	51,8
B110E	B 110 x 32 x 42	110	32	35	10	35,3	2÷4	42	35	12	45,3
B125A	B 125 x 32 x 48	125	32	50	10	35,3	2÷4	48	50	14	51,8
B125B	B 125 x 32 x 55	125	32	50	10	35,3	2÷4	55	50	16	59,3
B125C	B 125 x 42 x 55	125	42	50	12	45,3	2÷4	55	50	16	59,3
B125D	B 125 x 24 x 55	125	24	50	8	27,3	2÷4	55	50	16	59,3
B140A	B 140 x 32 x 60	140	32	55	10	35,3	2÷4	60	55	18	64,4
B140B	B 140 x 42 x 60	140	42	55	12	45,3	2÷4	60	55	18	64,4
B140C	B 140 x 60 x 55	140	60	70	18	64,4	2÷4	55	50	16	59,3
B140D	B 140 x 60 x 60	140	60	70	18	64,4	2÷4	60	55	18	64,4
B160A	B 160 x 32 x 65	160	32	60	10	35,3	2÷6	65	60	18	69,4
B160B	B 160 x 42 x 65	160	42	60	12	45,3	2÷6	65	60	18	69,4
B160C	B 160 x 60 x 65	160	60	60	18	64,4	2÷6	65	60	18	69,4
B180A	B 180 x 42 x 65	180	42	70	12	45,3	2÷6	65	60	18	69,4
B180B	B 180 x 42 x 75	180	42	70	12	45,3	2÷6	75	70	20	79,9
B180C	B 180 x 60 x 75	180	60	70	18	64,4	2÷6	75	70	20	79,9
B200A	B 200 x 60 x 80	200	60	80	18	64,4	2÷6	80	80	22	85,4
B225A	B 225 x 60 x 80	225	60	90	18	64,4	2÷6	80	90	22	85,4
B250A	B 250 x 60 x 100	250	60	100	18	64,4	3÷8	100	100	28	106,4

SPACER COUPLING DIMENSIONS



REF.	DENOMINATION	DIMENSIONS (mm)									
		da	s _{3 0} ⁺¹	PART 1				PART 5			
				PUMP-SIDE HALF COUPLING				MOTOR-SIDE HALF COUPLING			
SIZE x l x d ₁ x d ₂	d ₁ ^{H7}	l ₁	u ₁ ^{js9}	t _{1 0} ^{+0.2}	d ₂ ^{H7}	l ₂	u ₂ ^{js9}	t _{2 0} ^{+0.2}			
H80A	H 80-100 x 24 x 19	80	100	24	30	8	27,3	19	45	6	21,8
H80B	H 80-100 x 24 x 24	80	100	24	30	8	27,3	24	45	8	27,3
H80C	H 80-100 x 24 x 28	80	100	24	30	8	27,3	28	45	8	31,3
H80D	H 80-100 x 24 x 14	80	100	24	30	8	27,3	14	45	5	16,3
H80E	H 80-140 x 24 x 24	80	140	24	30	8	27,3	24	45	8	27,3
H80F	H 80-140 x 24 x 28	80	140	24	30	8	27,3	28	45	8	31,3
H80G	H 80-140 x 32 x 28	80	140	32	30	10	35,3	28	45	8	31,3
H95A	H 95-100 x 24 x 38	95	100	24	35	8	27,3	38	45	10	41,3
H95B	H 95-100 x 24 x 42	95	100	24	35	8	27,3	42	45	12	45,3
H95C	H 95-140 x 32 x 28	95	140	32	35	10	35,3	28	45	8	31,3
H95D	H 95-140 x 32 x 38	95	140	32	35	10	35,3	38	45	10	41,3
H95E	H 95-140 x 32 x 42	95	140	32	35	10	35,3	42	45	12	45,3
H95F	H 95-140 x 42 x 42	95	140	42	35	12	45,3	42	45	12	45,3
H95G	H 95-140 x 24 x 42	95	140	24	35	8	27,3	42	45	12	45,3
H95H	H 95-140 x 24 x 38	95	140	24	35	8	27,3	38	45	10	41,3
H110A	H 110-100 x 24 x 48	110	100	24	40	8	27,3	48	50	14	51,8
H110B	H 110-140 x 32 x 48	110	140	32	40	10	35,3	48	50	14	51,8
H110C	H 110-140 x 42 x 48	110	140	42	40	12	45,3	48	50	14	51,8
H110D	H 110-140 x 24 x 48	110	140	24	40	8	27,3	48	50	14	51,8
H110E	H 110-140 x 32 x 42	110	140	32	40	10	35,3	42	45	12	45,3
H110F	H 110-140 x 42 x 42	110	140	42	40	12	45,3	42	45	12	45,3
H125A	H 125-100 x 24 x 55	125	100	24	50	8	27,3	55	50	16	59,3
H125B	H 125-140 x 32 x 48	125	140	32	50	10	35,3	48	50	14	51,8
H125C	H 125-140 x 32 x 55	125	140	32	50	10	35,3	55	50	16	59,3
H125D	H 125-140 x 42 x 55	125	140	42	50	12	45,3	55	50	16	59,3
H125E	H 125-200 x 42 x 48	125	200	42	50	12	45,3	48	70	14	51,8
H125F	H 125-200 x 42 x 55	125	200	42	50	12	45,3	55	70	16	59,3
H125G	H 125-140 x 24 x 55	125	140	24	50	8	27,3	55	50	16	59,3
H125H	H 125-200 x 42 x 42	125	200	42	50	12	45,3	42	45	12	45,3
H140A	H 140-140 x 32 x 60	140	140	32	55	10	35,3	60	65	18	64,4
H140B	H 140-140 x 42 x 60	140	140	42	55	12	45,3	60	65	18	64,4
H140C	H 140-200 x 42 x 60	140	200	42	55	12	45,3	60	65	18	64,4
H140D	H 140-250 x 60 x 60	140	250	60	60	18	64,4	60	65	18	64,4
H160A	H 160-140 x 32 x 65	160	140	32	60	10	35,3	65	70	18	69,4
H160B	H 160-140 x 42 x 65	160	140	42	60	12	45,3	65	70	18	69,4
H160C	H 160-200 x 42 x 65	160	200	42	60	12	45,3	65	70	18	69,4
H160D	H 160-250 x 60 x 65	160	250	60	60	18	64,4	65	80	18	69,4
H180A	H 180-140 x 42 x 65	180	140	42	70	12	45,3	65	80	18	69,4
H180B	H 180-140 x 42 x 75	180	140	42	70	12	45,3	75	80	20	79,9
H180C	H 180-200 x 42 x 75	180	200	42	70	12	45,3	75	80	20	79,9
H180D	H 180-250 x 60 x 75	180	250	60	70	18	64,4	75	80	20	79,9
H200A	H 200-250 x 60 x 80	200	250	60	80	18	64,4	80	90	22	85,4
H225A	H 225-250 x 60 x 80	225	250	60	90	18	64,4	80	100	22	85,4
H250A	H 250-250 x 60 x 100	250	250	60	100	18	64,4	100	110	28	106,4

SPACER COUPLING DIMENSIONS



REF.	DENOMINATION	DIMENSIONS (mm)										
		SIZE x l x d ₁ x d ₂	d _a	s ₃	N				N			
					PUMP-SIDE HALF COUPLING				MOTOR-SIDE HALF COUPLING			
d ₁ ^{H7}	l ₁	u ₁ ^{js9}	t _{1 0} ^{+0.2}	d ₂ ^{H7}	l ₂	u ₂ ^{js9}	t _{2 0} ^{+0.2}					
N135A	NAN 135-6 x 300 x 60 x 55	135	300	60	65	18	64,4	55	65	16	59,3	
N135B	NAN 135-6 x 300 x 60 x 60	135	300	60	65	18	64,4	60	65	18	64,4	
N135C	NAN 135-6 x 300 x 60 x 65	135	300	60	65	18	64,4	65	65	18	69,4	
N150A	NAN 150-6 x 300 x 60 x 75	150	300	60	75	18	64,4	75	75	20	79,9	
N176A	NAN 176-6 x 300 x 60 x 80	176	300	60	85	18	64,4	80	85	22	85,4	
N185A	NAN 185-6 x 300 x 60 x 80	185	300	60	90	18	64,4	80	90	22	85,4	
N212A	NAN 212-6 x 300 x 60 x 100	212	300	60	100	18	64,4	100	100	28	106,4	

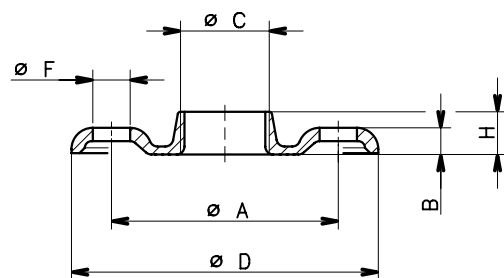
Coup-nan-en_b_td

e-NSC SERIES

**DIMENSIONS OF ROUND THREADED COUNTERFLANGES
ACCORDING TO EN 1092-1**

DN	DIMENSIONS (mm)					HOLES		PN
	$\varnothing C$	$\varnothing A$	B	$\varnothing D$	H	$\varnothing F$	N°	
32	Rp 1 1/4	100	13	140	16	18	4	16
40	Rp 1 1/2	110	14	150	19	18	4	16
50	Rp 2	125	16	165	24	18	4	16
65	Rp 2 1/2	145	16	185	23	18	4	16
80	Rp 3	160	17	200	27	18	8	16
100	Rp 4	180	18	220	31	18	8	16

Nsc-ctf-tonde-f-en_a_td

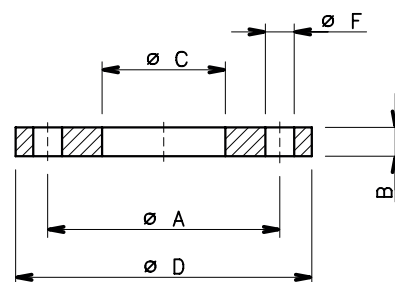


04430_B_DD

**DIMENSIONS OF ROUND WELD COUNTERFLANGES
ACCORDING TO EN 1092-1**

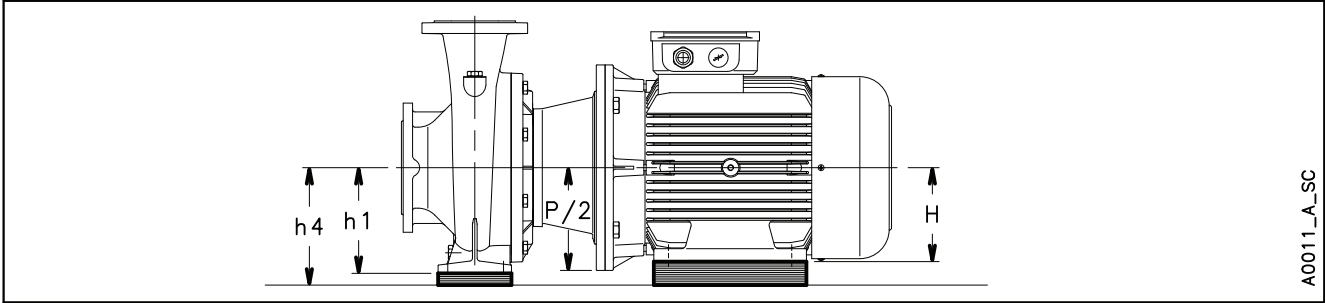
DN	DIMENSIONS (mm)				HOLES		PN
	$\varnothing C$	$\varnothing A$	B	$\varnothing D$	$\varnothing F$	N°	
65	77,5	145	20	185	18	4	16
80	90,5	160	20	200	18	8	16
100	116	180	22	220	18	8	16
125	141,5	210	22	250	18	8	16
150	170,5	240	24	285	22	8	16
200	221,5	295	24	340	22	12	16
250	276,5	355	26	405	26	12	16
300	327,5	410	28	460	26	12	16
350	359,5	470	30	520	26	16	16

Nsc-ctf-tonde-s-en_b_td



04431_A_DD

**NSCE 32 ÷ 80 SERIES, 2 POLES
SHIM FOR PUMP AND MOTOR FEET**



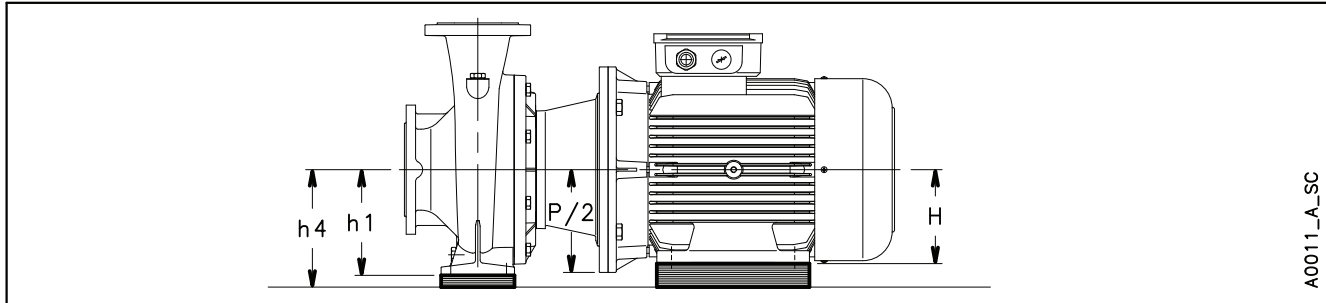
PUMP TYPE NSCE..2	DIMENSIONS (mm)				SHIM* CODE	
	PUMP h1	MOTOR P/2	MOTOR H	h4	Pump	Motor
32-125/15	112	-	-	112	-	-
32-125/22	112	-	-	112	-	-
32-125/30	112	-	-	112	-	-
32-125/40	112	-	-	112	-	-
32-125/55	112	-	-	112	-	-
32-160/40	132	-	-	132	-	-
32-160/55	132	-	-	132	-	-
32-160/75	132	-	-	132	-	-
32-160/92	132	-	-	132	-	-
32-200/75	160	-	-	160	-	-
32-200/92	160	-	-	160	-	-
32-200/110	160	-	-	160	-	-
32-250/110	180	-	-	180	-	-
32-250/150	180	-	160	180	-	2 x 161407670
32-250/185	180	-	160	180	-	2 x 161407670
32-250/220	180	-	160	180	-	2 x 161407670
40-125/30	112	-	-	112	-	-
40-125/40	112	-	-	112	-	-
40-125/55	112	-	-	112	-	-
40-125/75	112	-	-	112	-	-
40-160/55	132	-	-	132	-	-
40-160/75	132	-	-	132	-	-
40-160/92	132	-	-	132	-	-
40-160/110	132	-	-	132	-	-
40-200/92	160	-	-	160	-	-
40-200/110	160	-	-	160	-	-
40-250/185	180	-	160	180	-	2 x 161407670
40-250/220	180	-	160	180	-	2 x 161407670
50-125/55	132	-	-	132	-	-
50-125/75	132	-	-	132	-	-
50-125/92	132	-	-	132	-	-
50-125/110	132	-	-	132	-	-
50-160/92	160	-	-	160	-	-
50-160/110	160	-	-	160	-	-
50-200/185	160	-	-	160	-	-
50-200/220	160	-	-	160	-	-
50-250/220	180	-	160	160	-	2 x 161407670
65-125/75	160	-	-	160	-	-
65-125/92	160	-	-	160	-	-
65-125/110	160	-	-	160	-	-

PUMP TYPE NSCE..2	DIMENSIONS (mm)				SHIM* CODE	
	PUMP h1	MOTOR P/2	MOTOR H	h4	Pump	Motor
65-160/150	160	-	-	160	-	-
65-160/185	160	-	-	160	-	-
65-160/220	160	-	-	160	-	-
65-200/220	180	-	160	180	-	2 x 161407670
80-160/185	180	-	160	180	-	2 x 161407670
80-160/220	180	-	160	180	-	2 x 161407670

* On request.

Nsce-32-80sp_2p60-en_b_td

NSCE 32 ÷ 80 SERIES, 4 POLES SHIM FOR PUMP AND MOTOR FEET



A0011_A_SC

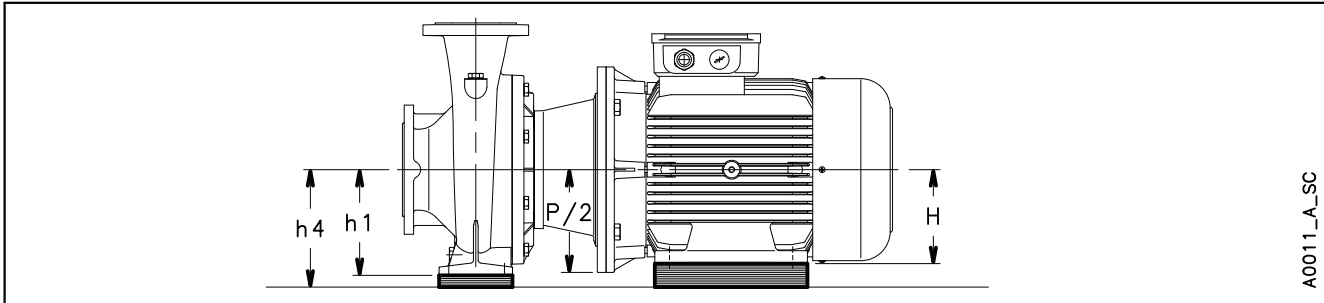
PUMP TYPE NSCE..4	DIMENSIONS (mm)				SHIM* CODE	
	PUMP h1	MOTOR		h4	Pump	Motor
		P/2	H			
32-125/02	112	80	69	112	-	-
32-125/03	112	80	69	112	-	-
32-125/05	112	60	79,5	112	-	-
32-125/07	112	-	-	112	-	-
32-160/05	132	60	79,5	132	-	-
32-160/07	132	-	-	132	-	-
32-160/11	132	-	-	132	-	-
32-200/11	160	-	-	160	-	-
32-200/15	160	-	-	160	-	-
32-250/22	180	-	-	180	-	-
32-250/30A	180	-	-	180	-	-
32-250/30	180	-	-	180	-	-
32-250/40	180	-	-	180	-	-
40-125/03	112	80	69	112	-	-
40-125/05	112	60	79,5	112	-	-
40-125/07A	112	-	-	112	-	-
40-125/07	112	-	-	112	-	-
40-160/07	132	-	-	132	-	-
40-160/11	132	-	-	132	-	-
40-160/15A	132	-	-	132	-	-
40-160/15	132	-	-	132	-	-
40-200/15	160	-	-	160	-	-
40-250/22	180	-	-	180	-	-
40-250/30	180	-	-	180	-	-
40-250/40	180	-	-	180	-	-
40-250/55	180	-	-	180	-	-
50-125/07	132	-	-	132	-	-
50-125/11A	132	-	-	132	-	-
50-125/11	132	-	-	132	-	-
50-125/15	132	-	-	132	-	-
50-160/11	160	-	-	160	-	-
50-160/15	160	-	-	160	-	-
50-200/22	160	-	-	160	-	-
50-200/30A	160	-	-	160	-	-
50-200/30	160	-	-	160	-	-
50-200/40	160	-	-	160	-	-
50-250/40	180	-	-	180	-	-
50-250/55	180	-	-	180	-	-
50-250/75	180	-	-	180	-	-

PUMP TYPE NSCE..4	DIMENSIONS (mm)				SHIM* CODE	
	PUMP h1	MOTOR		h4	Pump	Motor
		P/2	H			
65-125/11A	160	-	-	160	-	-
65-125/11	160	-	-	160	-	-
65-125/15	160	-	-	160	-	-
65-160/22A	160	-	-	160	-	-
65-160/22	160	-	-	160	-	-
65-160/30	160	-	-	160	-	-
65-160/40	160	-	-	160	-	-
65-200/30	180	-	-	180	-	-
65-200/40	180	-	-	180	-	-
65-200/55A	180	-	-	180	-	-
65-200/55	180	-	-	180	-	-
65-200/75	180	-	-	180	-	-
80-160/22	180	-	-	180	-	-
80-160/30	180	-	-	180	-	-
80-160/40	180	-	-	180	-	-
80-160/55	180	-	-	180	-	-

* On request.

Nsce-32-80sp_4p60-en_b_td

NSCS 32 ÷ 80 SERIES, 2 POLES SHIM FOR PUMP AND MOTOR FEET



A0011_A_SC

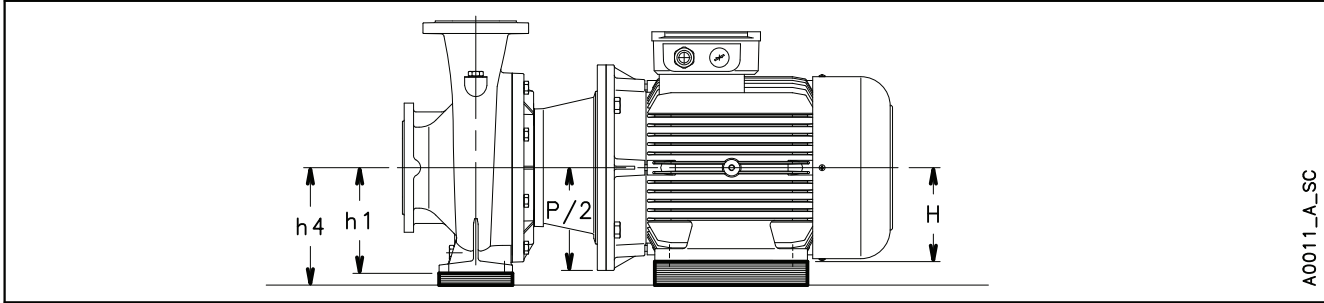
PUMP TYPE NSCS..2	DIMENSIONS (mm)				SHIM* CODE	
	PUMP h1	MOTOR P/2	MOTOR H	MOTOR h4	Pump	Motor
32-125/15	112	100	-	112	-	-
32-125/22	112	100	-	112	-	-
32-125/30	112	125	-	132	2 x 161403210	-
32-125/40	112	125	-	132	2 x 161403210	-
32-125/55	112	150	-	160	4 x 161403210 2 x 161407550	-
32-160/40	132	125	-	132	-	-
32-160/55	132	150	-	160	2 x 161403210 2 x 161407550	-
32-160/75	132	150	-	160	2 x 161403210 2 x 161407550	-
32-160/110A	132	175	160	180	4 x 161403210 2 x 161407550	2 x 161407670
32-200/75	160	150	-	160	-	-
32-200/110A	160	175	160	180	2 x 161403210	2 x 161407670
32-200/110	160	175	160	180	2 x 161403210	2 x 161407670
32-250/110	180	175	160	180	-	2 x 161407670
32-250/150	180	175	160	180	-	2 x 161407670
32-250/185	180	175	160	180	-	2 x 161407670
32-250/220	180	175	160	180	-	2 x 161407670
40-125/30	112	125	-	132	2 x 161403210	-
40-125/40	112	125	-	132	2 x 161403210	-
40-125/55	112	150	-	160	4 x 161403210 2 x 161407550	-
40-125/75	112	150	-	160	4 x 161403210 2 x 161407550	-
40-160/55	132	150	-	160	2 x 161403210 2 x 161407550	-
40-160/75	132	150	-	160	2 x 161403210 2 x 161407550	-
40-160/110A	132	175	160	180	4 x 161403210 2 x 161407550	2 x 161407670
40-160/110	132	175	160	180	4 x 161403210 2 x 161407550	2 x 161407670
40-200/110A	160	175	160	180	2 x 161403210	2 x 161407670
40-200/110	160	175	160	180	2 x 161403210	2 x 161407670
40-200/150	160	175	160	180	2 x 161403210	2 x 161407670
40-200/185	160	175	160	180	2 x 161403210	2 x 161407670
40-250/185	180	175	160	180	-	2 x 161407670
40-250/220	180	175	160	180	-	2 x 161407670
40-250/300	180	200	200	200	2 x 161403230	-
40-250/370	180	200	200	200	2 x 161403230	-
50-125/55	132	150	-	160	2 x 161403210 2 x 161407550	-
50-125/75	132	150	-	160	2 x 161403210 2 x 161407550	-
50-125/110A	132	175	160	180	4 x 161403210 2 x 161407550	2 x 161407670
50-125/110	132	175	160	180	4 x 161403210 2 x 161407550	2 x 161407670

PUMP TYPE NSCS..2	DIMENSIONS (mm)				SHIM* CODE	
	PUMP h1	MOTOR P/2	MOTOR H	MOTOR h4	Pump	Motor
50-160/110A	160	175	160	180	2 x 161403210	2 x 161407670
50-160/110	160	175	160	180	2 x 161403210	2 x 161407670
50-160/150	160	175	160	180	2 x 161403210	2 x 161407670
50-160/185	160	175	160	180	2 x 161403210	2 x 161407670
50-200/185	160	175	160	180	2 x 161403210	2 x 161407670
50-200/220	160	175	160	180	2 x 161403210	2 x 161407670
50-200/300	160	200	200	200	4 x 161403230	-
50-250/220	180	175	160	180	-	2 x 161407670
50-250/300	180	200	200	200	2 x 161403230	-
50-250/370	180	200	200	200	2 x 161403230	-
50-315/550	225	275	250	280	2 x 768003140 2 x 768003180	2 x 161407990
50-315/750	225	275	280	280	2 x 768003140 2 x 768003180	-
65-125/75	160	150	-	160	-	-
65-125/110A	160	175	160	180	2 x 161403230	2 x 161407670
65-125/110	160	175	160	180	2 x 161403230	2 x 161407670
65-160/150	160	175	160	180	2 x 161403230	2 x 161407670
65-160/185	160	175	160	180	2 x 161403230	2 x 161407670
65-160/220	160	175	160	180	2 x 161403230	2 x 161407670
65-160/300	160	200	200	200	4 x 161403230	-
65-200/220	180	175	160	180	-	2 x 161407670
65-200/300	180	200	200	200	2 x 161403230	-
65-200/370	180	200	200	200	2 x 161403230	-
65-250/450	200	225	225	225	2 x 161404380	-
65-250/550	200	275	250	280	4 x 161404380 2 x 161407800	2 x 161407990
65-250/750	200	275	280	280	4 x 161404380 2 x 161407800	-
65-315/750	225	275	280	280	2 x 768003140 2 x 768003180	-
65-315/900	225	275	280	280	2 x 768003140 2 x 768003180	-
80-160/185	180	175	160	180	-	2 x 161407670
80-160/220	180	175	160	180	-	2 x 161407670
80-160/300	180	200	200	200	2 x 161403230	-
80-160/370	180	200	200	200	2 x 161403230	-
80-200/450	180	225	225	225	2 x 161403230 2 x 161407570	-
80-200/550	180	275	250	280	8 x 161404380	2 x 161407990
80-200/750	180	275	280	280	8 x 161404380	-
80-250/550	200	275	250	280	4 x 161404380 2 x 161407800	2 x 161407990
80-250/750	200	275	280	280	4 x 161404380 2 x 161407800	-

* On request.

Nscs-32-80sp_2p60-en_b_td

**NSCS 100 ÷ 125 SERIES, 2 POLES
SHIM FOR PUMP AND MOTOR FEET**



A0011_A_SC

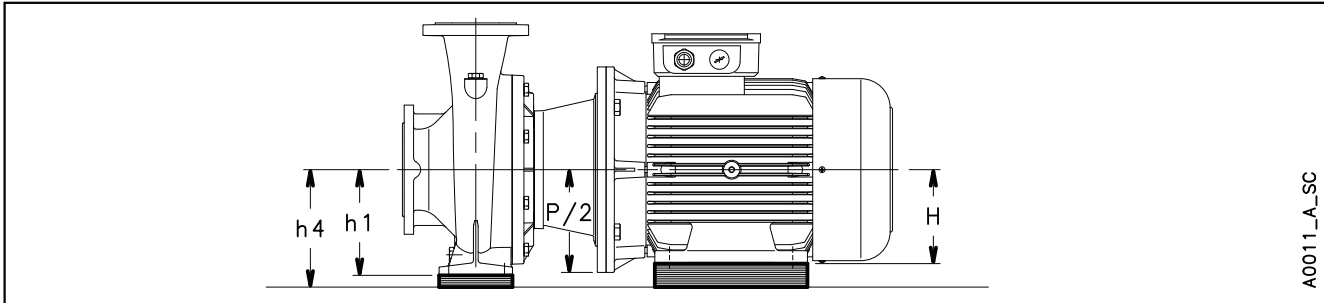
PUMP TYPE NSCS..2	DIMENSIONS (mm)				SHIM* CODE	
	PUMP h1	MOTOR P/2	MOTOR H	MOTOR h4	Pump	Motor
100-160/300	200	200	200	200	-	-
100-160/370	200	200	200	200	-	-
100-160/450	200	225	225	225	2 x 161404380	-
100-160/550	200	275	250	280	2 x 768003170	2 x 161407990
					2 x 768003190	
100-200/550	200	275	250	280	2 x 768003170	2 x 161407990
					2 x 768003190	
100-200/750	200	275	280	280	2 x 768003170	-
					2 x 768003190	
100-200/900	200	275	280	280	2 x 768003170	-
					2 x 768003190	
100-250/900	225	275	280	280	2 x 768003140	-
					2 x 768003180	
125-200/750	250	275	280	280	2 x 768003170	-
125-200/900	250	275	280	280	2 x 768003170	-

PUMP TYPE NSCS..2	DIMENSIONS (mm)				SHIM* CODE	
	PUMP h1	MOTOR P/2	MOTOR H	MOTOR h4	Pump	Motor

* On request.

Nscs-100-125sp_2p60-en_b_td

NSCS 32 ÷ 80 SERIES, 4 POLES SHIM FOR PUMP AND MOTOR FEET



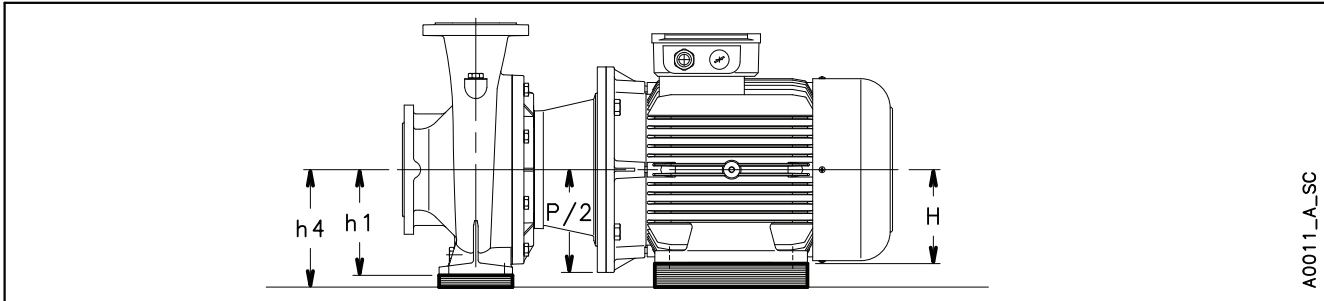
A0011_A_SC

PUMP TYPE NSCS..4	DIMENSIONS (mm)				SHIM* CODE	
	PUMP h1	MOTOR		h4	Pump	Motor
		P/2	H			
32-125/05	112	100	79,5	112	-	-
32-125/07	112	100	-	112	-	-
32-160/05	132	100	79,5	132	-	-
32-160/07	132	100	-	132	-	-
32-160/11	132	100	-	132	-	-
32-200/11	160	100	-	160	-	-
32-200/15	160	100	-	160	-	-
32-200/22	160	100	-	160	-	-
32-250/22	180	125	-	180	-	-
32-250/30A	180	125	-	180	-	-
32-250/30	180	125	-	180	-	-
32-250/40	180	125	-	180	-	-
40-125/05	112	100	79,5	112	-	-
40-125/07A	112	100	-	112	-	-
40-125/07	112	100	-	112	-	-
40-160/07	132	100	-	132	-	-
40-160/11	132	100	-	132	-	-
40-160/15A	132	100	-	132	-	-
40-160/15	132	100	-	132	-	-
40-200/15	160	100	-	160	-	-
40-200/22	160	125	-	160	-	-
40-200/30	160	125	-	160	-	-
40-250/22	180	125	-	180	-	-
40-250/30	180	125	-	180	-	-
40-250/40	180	125	-	180	-	-
40-250/55	180	150	-	180	-	-
50-125/07	132	100	-	132	-	-
50-125/11A	132	100	-	132	-	-
50-125/11	132	100	-	132	-	-
50-125/15	132	100	-	132	-	-
50-160/11	160	100	-	160	-	-
50-160/15	160	100	-	160	-	-
50-160/22	160	125	-	160	-	-
50-160/30	160	125	-	160	-	-
50-200/22	160	125	-	160	-	-
50-200/30A	160	125	-	160	-	-
50-200/30	160	125	-	160	-	-
50-200/40	160	125	-	160	-	-
50-250/40	180	125	-	180	-	-
50-250/55	180	150	-	180	-	-
50-250/75	180	150	-	180	-	-
50-315/75	225	150	-	225	-	-
50-315/110	225	175	160	225	-	1 x 743760350▲
50-315/150	225	175	160	225	-	1 x 743760350▲

PUMP TYPE NSCS..4	DIMENSIONS (mm)				SHIM* CODE	
	PUMP h1	MOTOR		h4	Pump	Motor
		P/2	H			
65-125/11A	160	100	-	160	-	-
65-125/11	160	100	-	160	-	-
65-125/15	160	100	-	160	-	-
65-125/22	160	125	-	160	-	-
65-160/22A	160	125	-	160	-	-
65-160/22	160	125	-	160	-	-
65-160/30	160	125	-	160	-	-
65-160/40	160	125	-	160	-	-
65-200/30	180	125	-	180	-	-
65-200/40	180	125	-	180	-	-
65-200/55A	180	150	-	180	-	-
65-200/55	180	150	-	180	-	-
65-200/75	180	150	-	180	-	-
65-250/110A	200	175	160	200	-	4 x 161407670
65-250/110	200	175	160	200	-	4 x 161407670
65-315/110	225	175	160	225	-	1 x 743760350▲
65-315/150	225	175	160	225	-	1 x 743760350▲
65-315/185	225	175	180	225	-	2 x 768082180 4 x 161407590
65-315/220	225	175	180	225	-	2 x 768082180 4 x 161407590
80-160/22	180	125	-	180	-	-
80-160/30	180	125	-	180	-	-
80-160/40	180	125	-	180	-	-
80-160/55	180	150	-	180	-	-
80-200/55	180	150	-	180	-	-
80-200/75	180	150	-	180	-	-
80-200/110	180	175	-	180	-	-
80-250/75	200	150	-	200	-	-
80-250/110A	200	175	160	200	-	4 x 161407670
80-250/110	200	175	160	200	-	4 x 161407670
80-250/150	200	175	160	200	-	4 x 161407670
80-315/150	250	175	160	250	-	1 x 743760360▲
80-315/185	250	175	180	250	-	1 x 743760290▲
80-315/220	250	175	180	250	-	1 x 743760290▲
80-315/300	250	200	200	250	-	1 x 743760220▲
80-400/370	280	225	225	280	-	1 x 743760170▲
80-400/450	280	225	225	280	-	1 x 743760170▲
80-400/550	280	275	250	280	-	2 x 161407990
80-400/750	280	275	280	280	-	-

* On request. ▲ Support base kit.

NSCS 100 ÷ 200 SERIES, 4 POLES SHIM FOR PUMP AND MOTOR FEET



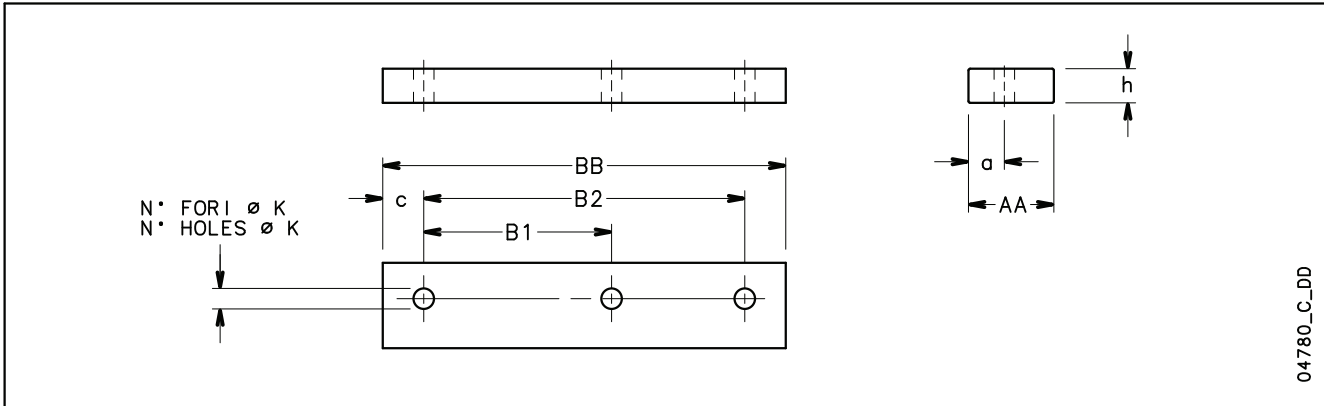
A0011_A_SC

PUMP TYPE NSCS..4	DIMENSIONS (mm)				SHIM* CODE	
	PUMP h1	MOTOR		h4	Pump	Motor
		P/2	H			
100-160/40	200	125	-	200	-	-
100-160/55	200	150	-	200	-	-
100-160/75	200	150	-	200	-	-
100-200/55	200	150	-	200	-	-
100-200/75	200	150	-	200	-	-
100-200/110	200	175	160	200	-	4 x 161407670
100-200/150	200	175	160	200	-	4 x 161407670
100-250/110	225	175	160	225	-	1 x 743760350▲
100-250/150	225	175	160	225	-	1 x 743760350▲
100-250/185	225	175	180	225	-	2 x 768082180 4 x 161407590
100-315/220	250	175	180	250	-	1 x 743760290▲
100-315/300	250	200	200	250	-	1 x 743760220▲
100-400/450	280	225	225	280	-	1 x 743760170▲
100-400/550	280	275	250	280	-	2 x 161407990
100-400/750	280	275	280	280	-	-
125-200/75	250	150	-	250	-	-
125-200/110	250	175	160	250	-	1 x 743760360▲
125-200/150	250	175	160	250	-	1 x 743760360▲
125-200/185	250	200	180	250	-	1 x 743760290▲
125-250/150	250	175	160	250	-	1 x 743760360▲
125-250/185	250	175	180	250	-	1 x 743760290▲
125-250/220	250	175	180	250	-	1 x 743760290▲
125-250/300	250	200	200	250	-	1 x 743760220▲
125-315/300	280	200	200	280	-	1 x 743760230▲
125-315/370	280	225	225	280	-	1 x 743760170▲
125-315/450	280	225	225	280	-	1 x 743760170▲
125-315/550	280	275	250	280	-	2 x 161407990
125-315/750	280	275	280	280	-	-
125-400/550	315	275	250	315	-	1 x 743760130▲
125-400/750	315	275	280	315	-	2 x 768082130
125-400/900	315	275	280	315	-	2 x 768082130
150-200/150	280	175	160	280	-	1 x 743760370▲
150-200/185	280	175	180	280	-	1 x 743760300▲
150-200/220	280	175	180	280	-	1 x 743760300▲
150-200/300	280	200	200	280	-	1 x 743760230▲
150-250/220	280	175	180	280	-	1 x 743760300▲
150-250/300	280	200	200	280	-	1 x 743760230▲
150-250/370	280	225	225	280	-	1 x 743760170▲
150-250/450	280	225	225	280	-	1 x 743760170▲

PUMP TYPE NSCS..4	DIMENSIONS (mm)				SHIM* CODE	
	PUMP h1	MOTOR		h4	Pump	Motor
		P/2	H			
150-315/450	280	225	225	280	-	1 x 743760170▲
150-315/550	280	275	250	280	-	2 x 161407990
150-315/750	280	275	280	280	-	-
150-315/900	280	275	280	280	-	-
150-400/750	315	275	280	315	-	2 x 768082130
150-400/900	315	275	280	315	-	2 x 768082130
200-250/300	355	200	200	355	-	1 x 743760250▲
200-250/370	355	225	225	355	-	1 x 743760190▲
200-250/450	355	225	225	355	-	1 x 743760190▲
200-250/550	355	225	250	355	-	1 x 743760140▲
200-315/550	355	275	250	355	-	1 x 743760140▲
200-315/750	355	275	280	355	-	1 x 743760100▲
200-315/900	355	275	280	355	-	1 x 743760100▲

* On request. ▲ Support base kit.

SHIM FOR MOTOR FEET

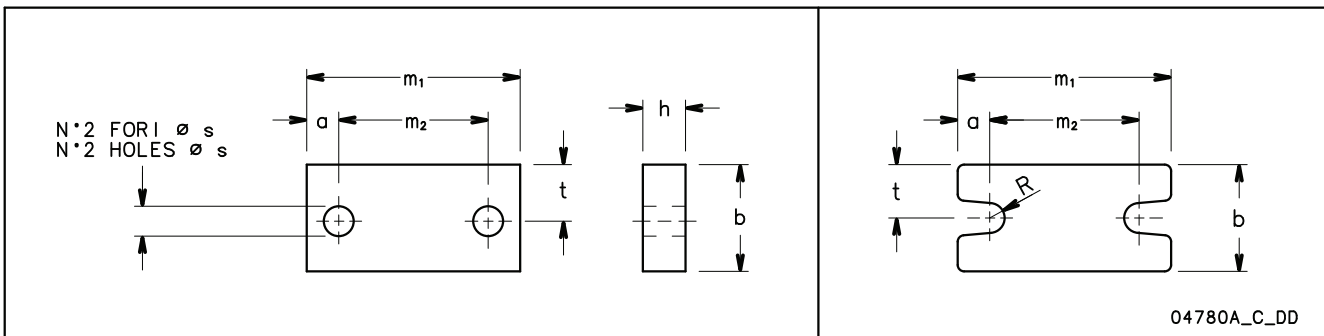


04780_C_DD

CODE	DENOMINATION					DIMENSIONS (mm)				HOLES	
	AA	x	h	x	BB	a	B1	B2	c	N°	ø K
161402570	35		20		125	17	100	-	12,5	2	10
161402320	40		10		155	20	100	125	15	3	10
161402340	40		12		155	20	100	125	15	3	10
161402360	40		12		180	17	140	-	20	2	14
161402380	40		20		180	17	140	-	20	2	14
161402400	40		30		155	20	100	125	15	3	10
161402420	40		40		180	17	140	-	20	2	14
161402440	50		8		226	21	140	178	24	3	14
161402460	50		20		226	21	140	178	24	3	14
161407670	50		20		304	25	210	254	25	3	14
161407690	50		30		304	25	210	254	25	3	14
768082180	80		5		332	35,5	241	279	26,5	3	14
768082190	80		10		332	35,5	241	279	26,5	3	14
161407590	80		20		332	35,5	241	279	26,5	3	14
768082110	80		25		370	33,5	305	-	32,5	2	19
768082120	80		25		412	40	286	311	50,5	3	19
161407990	100		30		467	50	311	349	59	3	22
768082130	100		35		517	50	368	419	49	3	24

SHIM FOR PUMP FEET

sp-mot-nscs-nscf-en_d_td

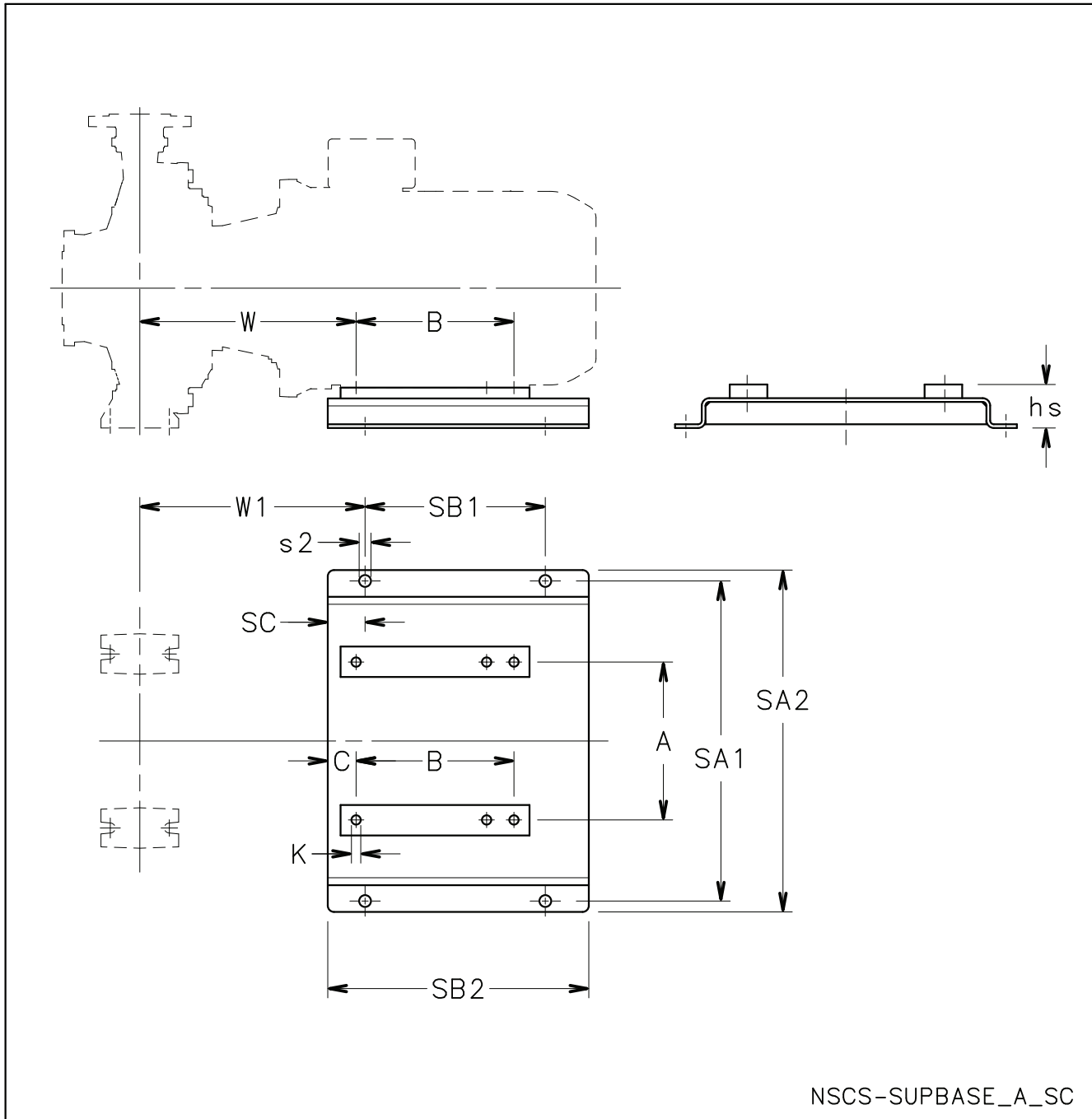


04780A_C_DD

CODE	DENOMINATION					DIMENSIONS (mm)				
	b	x	h	x	m ₁	a	m ₂	ø s	R	t
161407770	40		10		160	25	110	14	-	16,5
161403250	40		20		160	25	110	14	-	16,5
161404360	40		25		160	25	110	14	-	16,5
161407780	40		30		160	25	110	14	-	16,5
161407550	50		8		100	15	70	14	-	26,5
161403210	50		20		100	15	70	14	-	26,5
161403230	70		20		125	15	95	14	-	37,5
161407570	70		25		125	15	95	14	-	37,5
161407790	80		10		160	20	120	18	-	42,5
161404380	80		25		160	20	120	18	-	42,5
161407800	80		30		160	20	120	18	-	42,5
768003140	85		10		160	32,5	95 / 120	-	9	42,5
768003150	85		15		160	32,5	95 / 120	-	9	42,5
768003170	85		30		160	32,5	95 / 120	-	9	42,5
768003180	85		45		160	32,5	95 / 120	-	9	42,5
768003190	85		50		160	32,5	95 / 120	-	9	42,5

sp-pompa-nscf-en_d_td

NSCS SUPPORT BASE KIT



NSCS SUPPORT BASE KIT

CODE KIT	PUMP TYPE NSCS.4	DIMENSIONS (mm)												
		A	B	C	hs	K	W	W1	SA1	SA2	SB1	SB2	SC	s2
743760350	50-315/110	254	210	32,5	65	14,5	348	375,5	515	550	290	420	60	19
743760350	50-315/150	254	254	32,5	65	14,5	348	375,5	515	550	290	420	60	19
743760350	65-315/110	254	210	32,5	65	14,5	348	375,5	515	550	290	420	60	19
743760350	65-315/150	254	254	32,5	65	14,5	348	375,5	515	550	290	420	60	19
743760360	80-315/150	254	254	32,5	90	14,5	348	375,5	515	550	290	420	60	19
743760290	80-315/185	279	241	45,5	70	14,5	361	375,5	515	550	290	420	60	19
743760290	80-315/220	279	279	45,5	70	14,5	361	375,5	515	550	290	420	60	19
743760220	80-315/300	318	305	57,5	50	18,5	379	381,5	515	550	290	420	60	19
743760170	80-400/370	356	286/311	60	55	18,5	433	433	605	640	392	510	60	19
743760170	80-400/450	356	286/311	60	55	18,5	433	433	605	640	392	510	60	19
743760350	100-250/110	254	210	32,5	65	14,5	348	375,5	515	550	290	420	60	19
743760350	100-250/150	254	254	32,5	65	14,5	348	375,5	515	550	290	420	60	19
743760290	100-315/220	279	279	45,5	70	14,5	361	375,5	515	550	290	420	60	19
743760220	100-315/300	318	305	57,5	50	18,5	379	381,5	515	550	290	420	60	19
743760170	100-400/450	356	286/311	60	55	18,5	433	433	605	640	392	510	60	19
743760360	125-200/110	254	210	32,5	90	14,5	348	375,5	515	550	290	420	60	19
743760360	125-200/150	254	254	32,5	90	14,5	348	375,5	515	550	290	420	60	19
743760290	125-200/185	279	241	45,5	70	14,5	361	375,5	515	550	290	420	60	19
743760360	125-250/150	254	254	32,5	90	14,5	348	375,5	515	550	290	420	60	19
743760290	125-250/185	279	241	45,5	70	14,5	361	375,5	515	550	290	420	60	19
743760290	125-250/220	279	279	45,5	70	14,5	361	375,5	515	550	290	420	60	19
743760220	125-250/300	318	305	57,5	50	18,5	379	381,5	515	550	290	420	60	19
743760230	125-315/300	318	305	57,5	80	18,5	387	389,5	515	550	290	420	60	19
743760170	125-315/370	356	286/311	60	55	18,5	433	433	605	640	392	510	60	19
743760170	125-315/450	356	286/311	60	55	18,5	433	433	605	640	392	510	60	19
743760130	125-400/550	406	349	79	65	24	452	433	605	640	392	510	60	19
743760370	150-200/150	254	254	32,5	120	14,5	348	375,5	515	550	290	420	60	19
743760300	150-200/185	279	241	45,5	100	14,5	361	375,5	515	550	290	420	60	19
743760300	150-200/220	279	279	45,5	100	14,5	361	375,5	515	550	290	420	60	19
743760230	150-200/300	318	305	57,5	80	18,5	379	381,5	515	550	290	420	60	19
743760300	150-250/220	279	279	45,5	100	14,5	375	389,5	515	550	290	420	60	19
743760230	150-250/300	318	305	57,5	80	18,5	387	389,5	515	550	290	420	60	19
743760170	150-250/370	356	286/311	60	55	18,5	433	433	605	640	392	510	60	19
743760170	150-250/450	356	286/311	60	55	18,5	433	433	605	640	392	510	60	19
743760170	150-315/450	356	286/311	60	55	18,5	433	433	605	640	392	510	60	19
743760250	200-250/300	318	305	57,5	155	18,5	387	389,5	515	550	290	420	60	19
743760190	200-250/370	356	286/311	60	130	18,5	433	433	605	640	392	510	60	19
743760190	200-250/450	356	286/311	60	130	18,5	433	433	605	640	392	510	60	19
743760140	200-250/550	406	349	79	105	24	452	433	605	640	392	510	60	19
743760140	200-315/550	406	349	79	105	24	452	433	605	640	392	510	60	19
743760100	200-315/750	457	368/419	70,5	75	24	474	473,5	655	690	420	560	70	19
743760100	200-315/900	457	368/419	70,5	75	24	474	473,5	655	690	420	560	70	19

Nscs-supbase_4p60-en_c_td

REPORTS AND DECLARATIONS

REPORTS AND DECLARATIONS

i) Test reports

a) Factory Test Report

- Test report compiled at the end of the assembly line, including flow-head performance test (ISO 9906:2012 – Grade 3B) and hydrostatic pressure test.

b) Audit Test Report

- Test report for electric pumps compiled in the test room, comprising flow-head-pump input-pump efficiency performance test (according to ISO 9906:2012)

c) NPSH Test Report

- Test report for electric pumps compiled in the test room, comprising flow-NPSH performance test (according to ISO 9906:2012)

d) Noise Test Report

- Report indicating sound pressure and power measurements (EN ISO 20361, EN ISO 11203, EN ISO 4871)

e) Vibration Test Report

- (unavailable for submerged or submergible pumps)
- Report indicating vibration measurements (ISO 10816-1)

ii) Declaration of product conformity with the technical requirements indicated in the order

a) EN 10204:2004 - type 2.1

- does not include test results on supplied or similar products.

b) EN 10204:2004 - type 2.2

- includes test results (materials certificates) on similar products.

iii) Issue of a further EC Declaration of Conformity,

- in addition to the one accompanying the product, it comprises references to European law and the main technical standards (e.g.: MD 2006/42/EC, EMC 2014/30/EU, ErP 2009/125/EC).

N.B.: if the request is made after receipt of the product, communicate the code (name) and serial number (date + progressive number).

iv) Manufacturer's declaration of conformity

- relative to one of more types of products without indicating specific codes and serial numbers.

v) Other certificates and/or documentation on request

- subject to availability or feasibility.

vi) Duplication of certificates and/or documentation on request

- subject to availability or feasibility.

TECHNICAL APPENDIX

NPSH

The minimum operating values that can be reached at the pump suction end are limited by the onset of cavitation.

Cavitation is the formation of vapour-filled cavities within liquids where the pressure is locally reduced to a critical value, or where the local pressure is equal to, or just below the vapour pressure of the liquid.

The vapour-filled cavities flow with the current and when they reach a higher pressure area the vapour contained in the cavities condenses. The cavities collide, generating pressure waves that are transmitted to the walls. These, being subjected to stress cycles, gradually become deformed and yield due to fatigue. This phenomenon, characterized by a metallic noise produced by the hammering on the pipe walls, is called incipient cavitation.

The damage caused by cavitation may be magnified by electrochemical corrosion and a local rise in temperature due to the plastic deformation of the walls. The materials that offer the highest resistance to heat and corrosion are alloy steels, especially austenitic steel. The conditions that trigger cavitation may be assessed by calculating the total net suction head, referred to in technical literature with the acronym NPSH (Net Positive Suction Head).

The NPSH represents the total energy (expressed in m.) of the liquid measured at suction under conditions of incipient cavitation, excluding the vapour pressure (expressed in m.) that the liquid has at the pump inlet.

To find the static height h_z at which to install the machine under safe conditions, the following formula must be verified:

$$hp + h_z \geq (NPSH_r + 0.5) + hf + hpv \quad \textcircled{1}$$

where:

hp is the absolute pressure applied to the free liquid surface in the suction tank, expressed in m. of liquid; hp is the quotient between the barometric pressure and the specific weight of the liquid.

hz is the suction lift between the pump axis and the free liquid surface in the suction tank, expressed in m.; h_z is negative when the liquid level is lower than the pump axis.

hf is the flow resistance in the suction line and its accessories, such as: fittings, foot valve, gate valve, elbows, etc.

h_{pv} is the vapour pressure of the liquid at the operating temperature, expressed in m. of liquid. h_{pv} is the quotient between the P_v vapour pressure and the liquid's specific weight.

0,5 is the safety factor.

The maximum possible suction head for installation depends on the value of the atmospheric pressure (i.e. the elevation above sea level at which the pump is installed) and the temperature of the liquid.

To help the user, with reference to water temperature (4° C) and to the elevation above sea level, the following tables show the drop in hydraulic pressure head in relation to the elevation above sea level, and the suction loss in relation to temperature.

Water temperature (°C)	20	40	60	80	90	110	120
Suction loss (m)	0,2	0,7	2,0	5,0	7,4	15,4	21,5

Elevation above sea level (m)	500	1000	1500	2000	2500	3000
Suction loss (m)	0,55	1,1	1,65	2,2	2,75	3,3

Friction loss is shown in the tables Flow Resistance of this catalogue. To reduce it to a minimum, especially in cases of high suction head (over 4-5 m.) or within the operating limits with high flow rates, we recommend using a suction line having a larger diameter than that of the pump's suction port. It is always a good idea to position the pump as close as possible to the liquid to be pumped.

Make the following calculation:

Liquid: water at ~15°C $\gamma = 1 \text{ kg/dm}^3$

Flow rate required: 25 m³/h

Head for required delivery: 70 m.

Suction lift: 3,5 m.

The selection is an 33SV3G075T pump whose NPSH required value is, at 25 m³/h, of 2 m.

For water at 15 °C

$$hp = Pa / \gamma = 10,33\text{m}, h_{pv} = P_v / \gamma = 0,174\text{m} (0,01701 \text{ bar})$$

The H_f flow resistance in the suction line with foot valves is ~ 1,2 m.

By substituting the parameters in formula $\textcircled{1}$ with the numeric values above, we have:

$$10,33 + (-3,5) \geq (2 + 0,5) + 1,2 + 0,17$$

from which we have: 6,8 > 3,9

The relation is therefore verified.

**VAPOUR PRESSURE p_s
AND DENSITY ρ OF WATER TABLE**

t °C	T K	p_s bar	ρ kg/dm ³	t °C	T K	p_s bar	ρ kg/dm ³	t °C	T K	p_s bar	ρ kg/dm ³
0	273,15	0,00611	0,9998	55	328,15	0,15741	0,9857	120	393,15	1,9854	0,9429
1	274,15	0,00657	0,9999	56	329,15	0,16511	0,9852	122	395,15	2,1145	0,9412
2	275,15	0,00706	0,9999	57	330,15	0,17313	0,9846	124	397,15	2,2504	0,9396
3	276,15	0,00758	0,9999	58	331,15	0,18147	0,9842	126	399,15	2,3933	0,9379
4	277,15	0,00813	1,0000	59	332,15	0,19016	0,9837	128	401,15	2,5435	0,9362
5	278,15	0,00872	1,0000	60	333,15	0,1992	0,9832	130	403,15	2,7013	0,9346
6	279,15	0,00935	1,0000	61	334,15	0,2086	0,9826	132	405,15	2,867	0,9328
7	280,15	0,01001	0,9999	62	335,15	0,2184	0,9821	134	407,15	3,041	0,9311
8	281,15	0,01072	0,9999	63	336,15	0,2286	0,9816	136	409,15	3,223	0,9294
9	282,15	0,01147	0,9998	64	337,15	0,2391	0,9811	138	411,15	3,414	0,9276
10	283,15	0,01227	0,9997	65	338,15	0,2501	0,9805	140	413,15	3,614	0,9258
11	284,15	0,01312	0,9997	66	339,15	0,2615	0,9799	145	418,15	4,155	0,9214
12	285,15	0,01401	0,9996	67	340,15	0,2733	0,9793	155	428,15	5,433	0,9121
13	286,15	0,01497	0,9994	68	341,15	0,2856	0,9788	160	433,15	6,181	0,9073
14	287,15	0,01597	0,9993	69	342,15	0,2984	0,9782	165	438,15	7,008	0,9024
15	288,15	0,01704	0,9992	70	343,15	0,3116	0,9777	170	443,15	7,920	0,8973
16	289,15	0,01817	0,9990	71	344,15	0,3253	0,9770	175	448,15	8,924	0,8921
17	290,15	0,01936	0,9988	72	345,15	0,3396	0,9765	180	453,15	10,027	0,8869
18	291,15	0,02062	0,9987	73	346,15	0,3543	0,9760	185	458,15	11,233	0,8815
19	292,15	0,02196	0,9985	74	347,15	0,3696	0,9753	190	463,15	12,551	0,8760
20	293,15	0,02337	0,9983	75	348,15	0,3855	0,9748	195	468,15	13,987	0,8704
21	294,15	0,24850	0,9981	76	349,15	0,4019	0,9741	200	473,15	15,550	0,8647
22	295,15	0,02642	0,9978	77	350,15	0,4189	0,9735	205	478,15	17,243	0,8588
23	296,15	0,02808	0,9976	78	351,15	0,4365	0,9729	210	483,15	19,077	0,8528
24	297,15	0,02982	0,9974	79	352,15	0,4547	0,9723	215	488,15	21,060	0,8467
25	298,15	0,03166	0,9971	80	353,15	0,4736	0,9716	220	493,15	23,198	0,8403
26	299,15	0,03360	0,9968	81	354,15	0,4931	0,9710	225	498,15	25,501	0,8339
27	300,15	0,03564	0,9966	82	355,15	0,5133	0,9704	230	503,15	27,976	0,8273
28	301,15	0,03778	0,9963	83	356,15	0,5342	0,9697	235	508,15	30,632	0,8205
29	302,15	0,04004	0,9960	84	357,15	0,5557	0,9691	240	513,15	33,478	0,8136
30	303,15	0,04241	0,9957	85	358,15	0,5780	0,9684	245	518,15	36,523	0,8065
31	304,15	0,04491	0,9954	86	359,15	0,6011	0,9678	250	523,15	39,776	0,7992
32	305,15	0,04753	0,9951	87	360,15	0,6249	0,9671	255	528,15	43,246	0,7916
33	306,15	0,05029	0,9947	88	361,15	0,6495	0,9665	260	533,15	46,943	0,7839
34	307,15	0,05318	0,9944	89	362,15	0,6749	0,9658	265	538,15	50,877	0,7759
35	308,15	0,05622	0,9940	90	363,15	0,7011	0,9652	270	543,15	55,058	0,7678
36	309,15	0,05940	0,9937	91	364,15	0,7281	0,9644	275	548,15	59,496	0,7593
37	310,15	0,06274	0,9933	92	365,15	0,7561	0,9638	280	553,15	64,202	0,7505
38	311,15	0,06624	0,9930	93	366,15	0,7849	0,9630	285	558,15	69,186	0,7415
39	312,15	0,06991	0,9927	94	367,15	0,8146	0,9624	290	563,15	74,461	0,7321
40	313,15	0,07375	0,9923	95	368,15	0,8453	0,9616	295	568,15	80,037	0,7223
41	314,15	0,07777	0,9919	96	369,15	0,8769	0,9610	300	573,15	85,927	0,7122
42	315,15	0,08198	0,9915	97	370,15	0,9094	0,9602	305	578,15	92,144	0,7017
43	316,15	0,09639	0,9911	98	371,15	0,9430	0,9596	310	583,15	98,70	0,6906
44	317,15	0,09100	0,9907	99	372,15	0,9776	0,9586	315	588,15	105,61	0,6791
45	318,15	0,09582	0,9902	100	373,15	1,0133	0,9581	320	593,15	112,89	0,6669
46	319,15	0,10086	0,9898	102	375,15	1,0878	0,9567	325	598,15	120,56	0,6541
47	320,15	0,10612	0,9894	104	377,15	1,1668	0,9552	330	603,15	128,63	0,6404
48	321,15	0,11162	0,9889	106	379,15	1,2504	0,9537	340	613,15	146,05	0,6102
49	322,15	0,11736	0,9884	108	381,15	1,3390	0,9522	350	623,15	165,35	0,5743
50	323,15	0,12335	0,9880	110	383,15	1,4327	0,9507	360	633,15	186,75	0,5275
51	324,15	0,12961	0,9876	112	385,15	1,5316	0,9491	370	643,15	210,54	0,4518
52	325,15	0,13613	0,9871	114	387,15	1,6362	0,9476	374,15	647,30	221,20	0,3154
53	326,15	0,14293	0,9862	116	389,15	1,7465	0,9460				
54	327,15	0,15002	0,9862	118	391,15	1,8628	0,9445				

G-at_npsb_b_sc

FLOW RESISTANCE

TABLE OF FLOW RESISTANCE IN BENDS, VALVES AND GATES

The flow resistance is calculated using the equivalent pipeline length method according to the table below:

ACCESSORY TYPE	DN											
	25	32	40	50	65	80	100	125	150	200	250	300
	Equivalent pipeline length (m)											
45° bend	0,2	0,2	0,4	0,4	0,6	0,6	0,9	1,1	1,5	1,9	2,4	2,8
90° bend	0,4	0,6	0,9	1,1	1,3	1,5	2,1	2,6	3,0	3,9	4,7	5,8
90° smooth bend	0,4	0,4	0,4	0,6	0,9	1,1	1,3	1,7	1,9	2,8	3,4	3,9
Union tee or cross	1,1	1,3	1,7	2,1	2,6	3,2	4,3	5,3	6,4	7,5	10,7	12,8
Gate valve	-	-	-	0,2	0,2	0,2	0,4	0,4	0,6	0,9	1,1	1,3
Foot check valve	1,1	1,5	1,9	2,4	3,0	3,4	4,7	5,9	7,4	9,6	11,8	13,9
Non return valve	1,1	1,5	1,9	2,4	3,0	3,4	4,7	5,9	7,4	9,6	11,8	13,9

G-a-pcv-en_b_th

The table is valid for the Hazen Williams coefficient $C=100$ (cast iron pipework);

for steel pipework, multiply the values by 1,41;

for stainless steel, copper and coated cast iron pipework, multiply the values by 1,85;

When the **equivalent pipeline length** has been determined, the flow resistance is obtained from the table of flow resistance.

The values given are guideline values which are bound to vary slightly according to the model, especially for gate valves and non-return valves, for which it is a good idea to check the values supplied by manufacturers.

VOLUMETRIC CAPACITY

Litres per minute l/min	Cubic metres per hour m ³ /h	Cubic feet per hour ft ³ /h	Cubic feet per minute ft ³ /min	Imperial gallon per minute Imp. gal/min	U.S. gallon per minute US gal/min
1,0000	0,0600	2,1189	0,0353	0,2200	0,2642
16,6667	1,0000	35,3147	0,5886	3,6662	4,4029
0,4719	0,0283	1,0000	0,0167	0,1038	0,1247
28,3168	1,6990	60,0000	1,0000	6,2288	7,4805
4,5461	0,2728	9,6326	0,1605	1,0000	1,2009
3,7854	0,2271	8,0208	0,1337	0,8327	1,0000

PRESSURE AND HEAD

Newton per square metre N/m ²	kilo Pascal kPa	bar bar	Pound force per square inch psi	Metre of water m H ₂ O	Millimetre of mercury mm Hg
1,0000	0,0010	1×10^{-5}	$1,45 \times 10^{-4}$	$1,02 \times 10^{-4}$	0,0075
1 000,0000	1,0000	0,0100	0,1450	0,1020	7,5006
1×10^5	100,0000	1,0000	14,5038	10,1972	750,0638
6 894,7570	6,8948	0,0689	1,0000	0,7031	51,7151
9 806,6500	9,8067	0,0981	1,4223	1,0000	73,5561
133,3220	0,1333	0,0013	0,0193	0,0136	1,0000

LENGTH

Millimetre mm	Centimetre cm	Metre m	Inch in	Foot ft	Yard yd
1,0000	0,1000	0,0010	0,0394	0,0033	0,0011
10,0000	1,0000	0,0100	0,3937	0,0328	0,0109
1 000,0000	100,0000	1,0000	39,3701	3,2808	1,0936
25,4000	2,5400	0,0254	1,0000	0,0833	0,0278
304,8000	30,4800	0,3048	12,0000	1,0000	0,3333
914,4000	91,4400	0,9144	36,0000	3,0000	1,0000

VOLUME

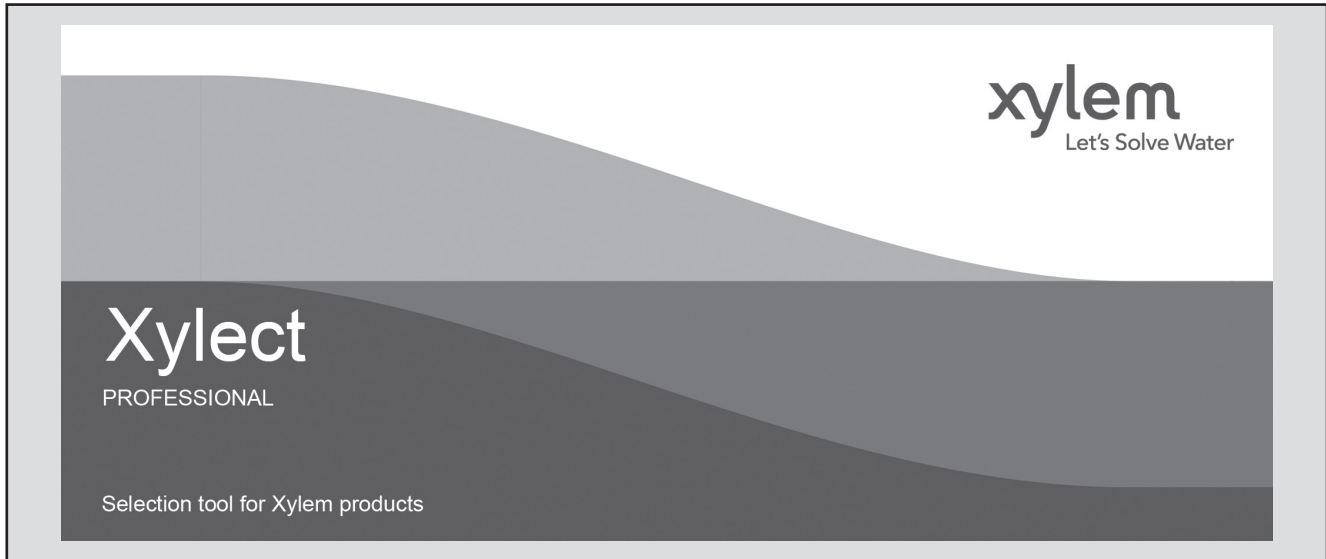
Cubic metre m ³	Litre L	Millilitre ml	Imperial gallon imp. gal.	U.S. gallon US gal.	Cubic foot ft ³
1,0000	1 000,0000	1×10^6	219,9694	264,1720	35,3147
0,0010	1,0000	1 000,0000	0,2200	0,2642	0,0353
1×10^{-6}	0,0010	1,0000	$2,2 \times 10^{-4}$	$2,642 \times 10^{-4}$	$3,53 \times 10^{-5}$
0,0045	4,5461	4 546,0870	1,0000	1,2009	0,1605
0,0038	3,7854	3 785,4120	0,8327	1,0000	0,1337
0,0283	28,3168	28 316,8466	6,2288	7,4805	1,0000

TEMPERATURE

Water	Kelvin K	Celsius °C	Fahrenheit °F	$^{\circ}\text{F} = ^{\circ}\text{C} \times \frac{9}{5} + 32$ $^{\circ}\text{C} = (^{\circ}\text{F} - 32) \times \frac{5}{9}$
icing	273,1500	0,0000	32,0000	
boiling	373,1500	100,0000	212,0000	

G-at_pp-en_b_sc

**FURTHER PRODUCT SELECTION
AND DOCUMENTATION**
Xylect



Xylect is pump solution selection software with an extensive online database of product information across the entire Lowara range of pumps and related products, with multiple search options and helpful project management facilities. The system holds up-to-date product information on thousands of products and accessories.

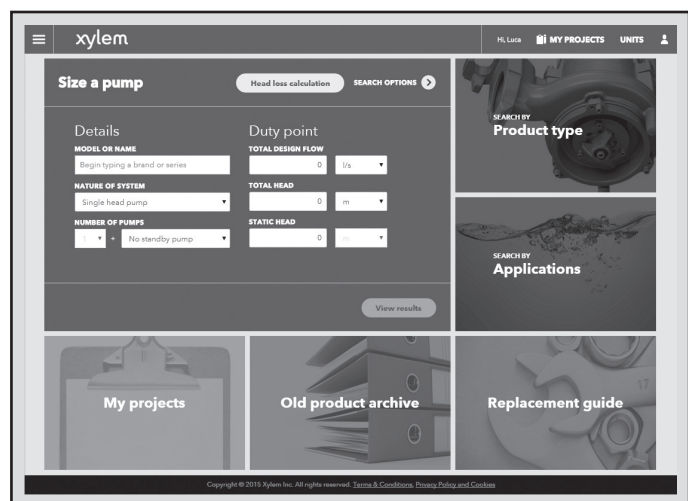
The possibility to search by applications and the detailed information output given makes it easy to make the optimal selection without having detailed knowledge about the Lowara products.

The search can be made by:

- Application
- Product type
- Duty point

Xylect gives a detailed output:

- List with search results
- Performance curves (flow, head, power, efficiency, NPSH)
- Motor data
- Dimensional drawings
- Options
- Data sheet printouts
- Document downloads incl dxf files



The search by application guides users not familiar with the product range to the right choice.

FURTHER PRODUCT SELECTION AND DOCUMENTATION

Xylect



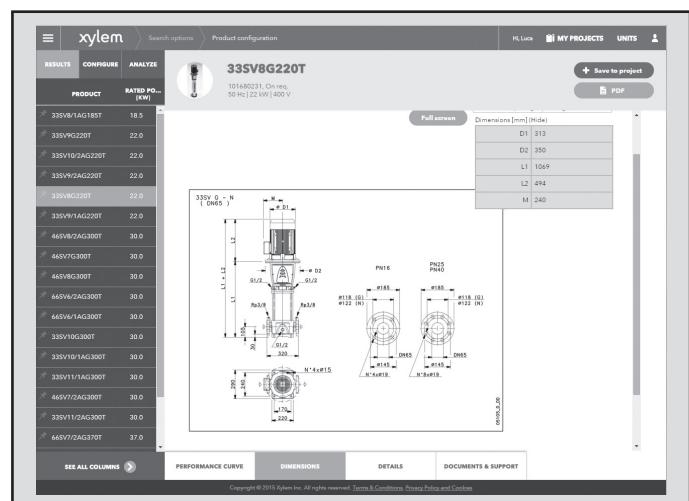
The detailed output makes it easy to select the optimal pump from the given alternatives.

The best way to work with Xylect is to create a personal account. This makes it possible to:

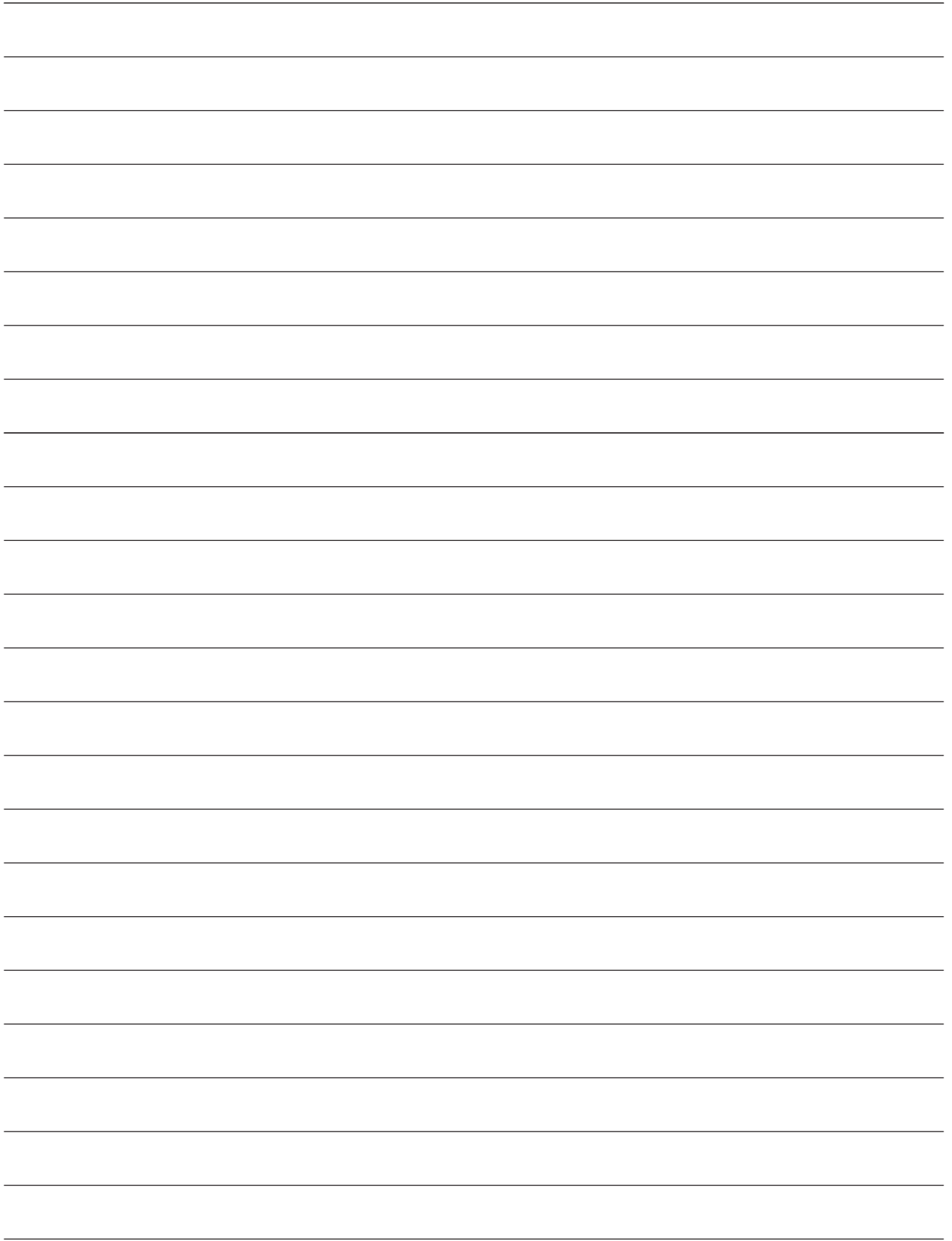
- Set own standard units
- Create and save projects
- Share projects with other Xylect users

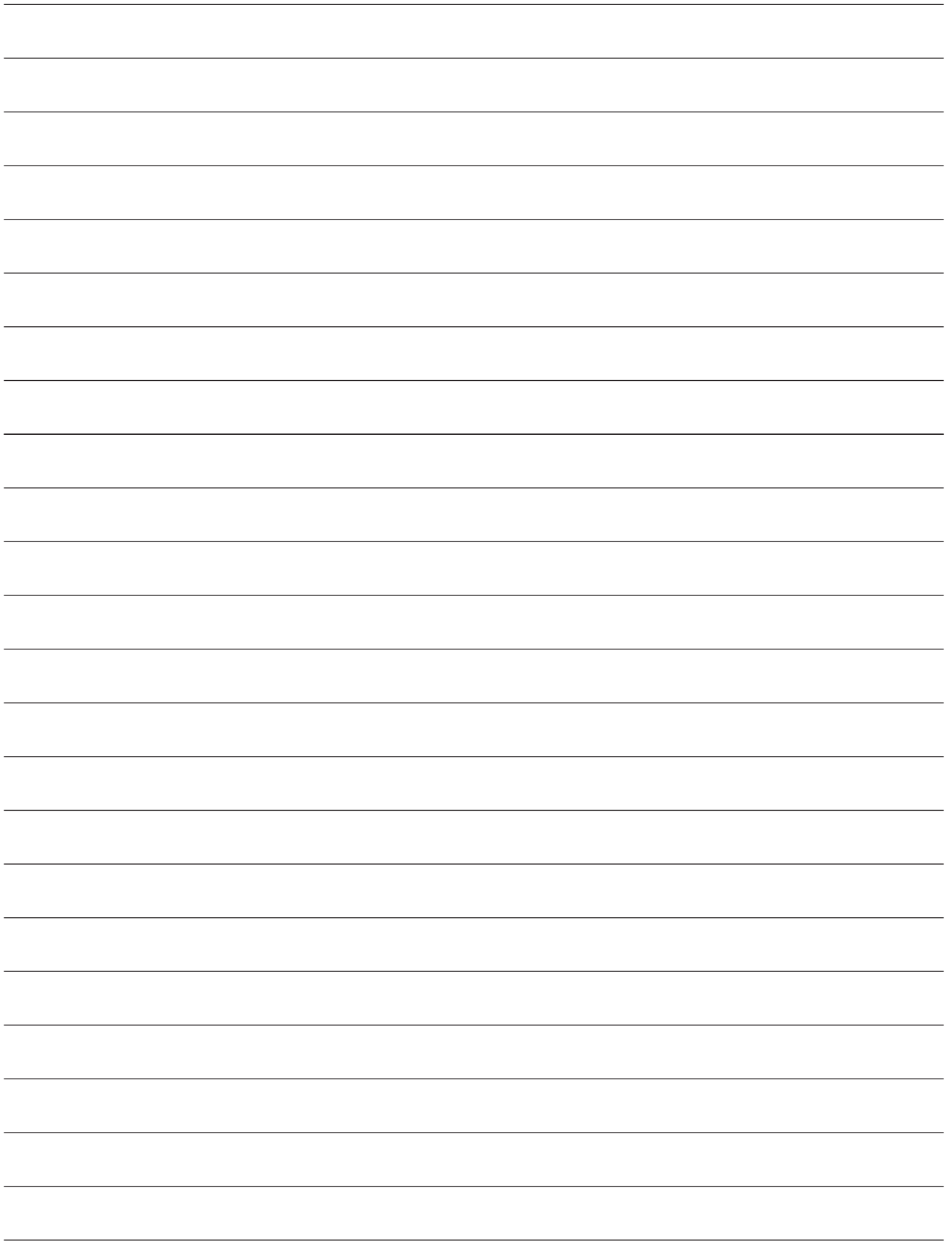
Every registered user has a proper space, where all projects are saved.

For more information about Xylect please contact our sales network or visit www.xylect.com.



Dimensional drawings appear on the screen and can be downloaded in dxf format.





Xylem |'zīləm|

- 1) The tissue in plants that brings water upward from the roots;
- 2) a leading global water technology company.

We're a global team unified in a common purpose: creating advanced technology solutions to the world's water challenges. Developing new technologies that will improve the way water is used, conserved, and re-used in the future is central to our work. Our products and services move, treat, analyze, monitor and return water to the environment, in public utility, industrial, residential and commercial building services settings. Xylem also provides a leading portfolio of smart metering, network technologies and advanced analytics solutions for water, electric and gas utilities. In more than 150 countries, we have strong, long-standing relationships with customers who know us for our powerful combination of leading product brands and applications expertise with a strong focus on developing comprehensive, sustainable solutions.

For more information on how Xylem can help you, go to www.xylem.com.



For information and technical support
Xylem Service Italia Srl

Via Dottor Vittorio Lombardi 14
36075 - Montecchio Maggiore (VI) - Italy
Tel. (+39) 0444 707111
Fax (+39) 0444 491043

www.xylem.com/lowara

Xylem Service Italia Srl reserves the right to make modification without prior notice.
Lowara, Xylem are trademarks of Xylem Inc. or one of its subsidiaries
© 2022 Xylem, Inc.