



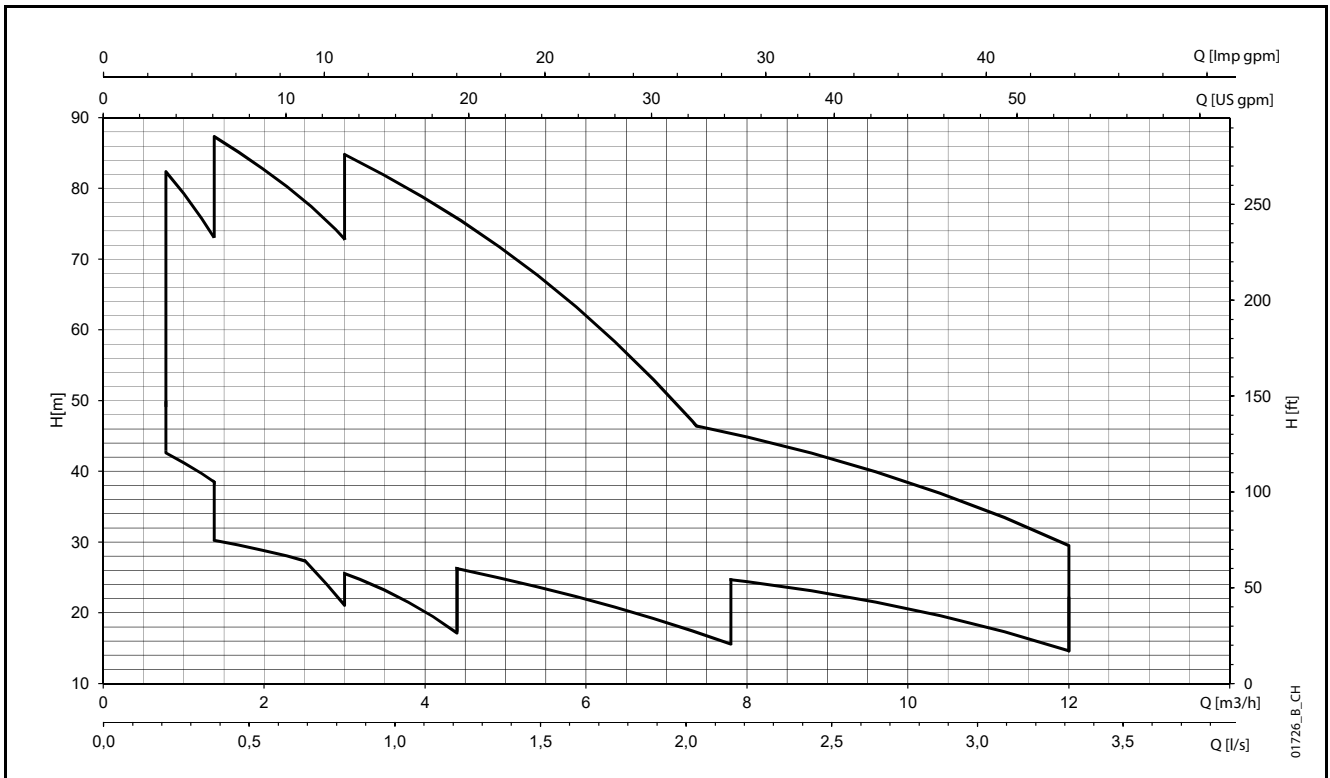
SCUBA DRY Series

CLOSE-COUPLED SURFACE AND SUBMERSIBLE ELECTRIC PUMPS

CONTENTS

GENERAL INTRODUCTION	5
IDENTIFICATION CODE, RATING PLATE.....	6
PUMP SECTION AND LIST OF MAIN COMPONENTS.....	7
TABLE OF MATERIALS	8
HYDRAULIC PERFORMANCE RANGE	9
1SCD, 1SCDS SERIES	10
3SCD, 3SCDS SERIES	13
5SCD, 5SCDS SERIES	16
8SCD, 8SCDS SERIES	19
ACCESSORIES.....	23
TECHNICAL APPENDIX.....	25

SCUBA DRY SERIES
HYDRAULIC PERFORMANCE RANGE AT 60 Hz



Multistage electric pump SCUBA DRY series

GENERAL INTRODUCTION



- **Head made of microcasted stainless steel**
- **Plug-in power supply cable and float switch**
- **Potable water version**
- **Noiseless operation**
- **Sand abrasion resistant impellers**

MARKET SECTORS

RESIDENTIAL BUILDINGS, INDUSTRY.

APPLICATIONS

- Rain water harvesting.
- Water supply from primary water supply tanks or reservoirs.
- Pressure boosting with pump directly inserted in tank or well.
- Car washing system.
- Onboard ships pressure boosting
- Air purification/humidification systems
- Sprinkler irrigation systems.
- Specific for:
 - Narrow or poorly aerated spaces.
 - Basements subject to flooding risk.
 - Applications which require silent functioning.

CHARACTERISTIC DATA

- **Delivery:** up to 12 m³/h at 3450 rpm.
- **Head:** up to 100 m at 3450 rpm.
- **Motor power:** 0,55 to 2,2 kW.
- **Maximum operating pressure:** 10 bar.
- **Single-phase version:** 220-230 V, 60 Hz 2 poles (3450 rpm).
- With built-in automatic reset overload protection.
- Standard version with built-in capacitor, or external capacitor upon request
- **Three-phase version:** 380-400 V, 50 Hz 2 poles (3450 rpm).
- Overload protection to be provided by user and installed in the control panel (see electric panel section).

OPERATING CONDITIONS

- **Temperature of pumped liquid:**
 - Standard version: 0 to 40°C.
 - Potable water version: 0 to 40°C.
- Vertical/Horizontal installation
- **Maximum immersion depth:** 17 m
- **Maximum operating pressure:** 10 PN
- **Maximum permissible quantity of suspended sand:** 25 g/m³
- **Maximum quantity of chloride at 20°C:** 200 PPM
- **Max solid dimension** up to:
 - 1SCD(S): 1 mm
 - 3SCD(S), 5SCD(S), 8SCD(S): 2mm

CONSTRUCTION CHARACTERISTICS

- The liquid end is located underneath the electric motor, which is cooled by the pumped liquid.
- Impellers are radial centrifugal type, made of technopolymer.
- Diffusers, outer sleeve, motor casing, suction screen and shaft extension are made of stainless steel.
- Head is made of microcasted stainless steel.
- Floor base specific for rainwater harvesting tanks or surface installations.
- Ease of installation and maintenance due to plug-in power supply cable and float switch
- Potable water version available upon request.
- The electric motor is protected by a double seal system with an oil chamber.

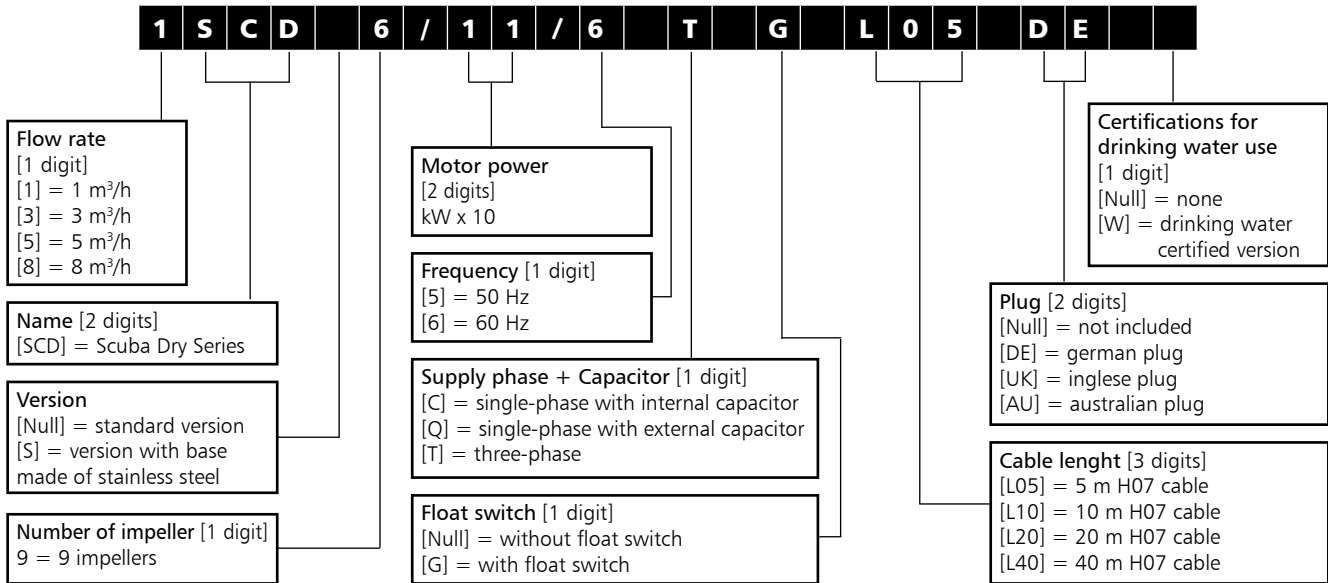
ACCESSORIES

- Kit with floating suction device
- Kit with floating switch
- Control panel with external capacitor
- Control and protection panel

Upon request:

- Installation with float
- Kit with ResiBoost inverter
- 220 - 240V, three-phase version
- Power supply cord available in multiple length
- Potable water certified version available
- Wide range of flanges

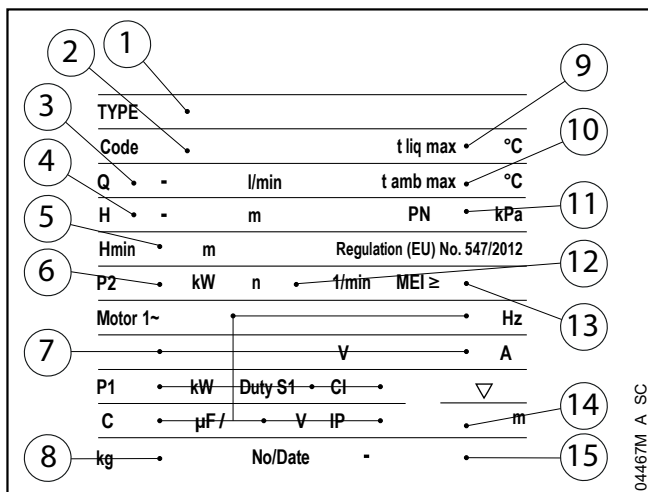
SCUBA DRY SERIES IDENTIFICATION CODE



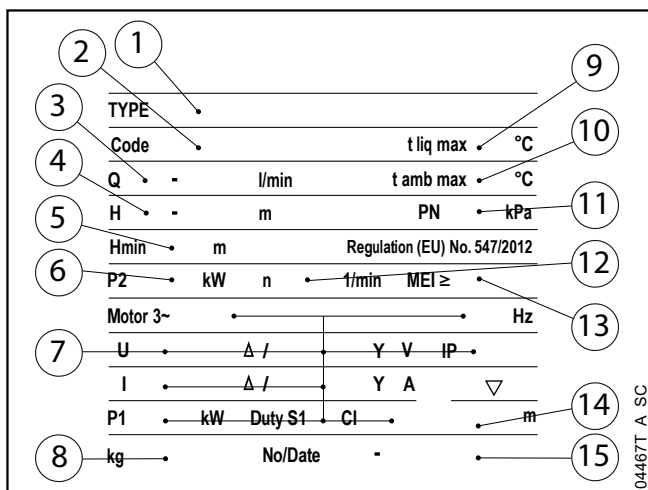
EXAMPLE: 1SCD6/11/6 T G L05 DE

Flow rate 1 m³/h, Scuba Dry series electric pump, standard version, 6 impellers, motor power 1,1 kW, frequency 60 Hz, single-phase version with internal capacitor, with float switch, 5 m of H07 cable and german plug.

RATING PLATE - SINGLE-PHASE



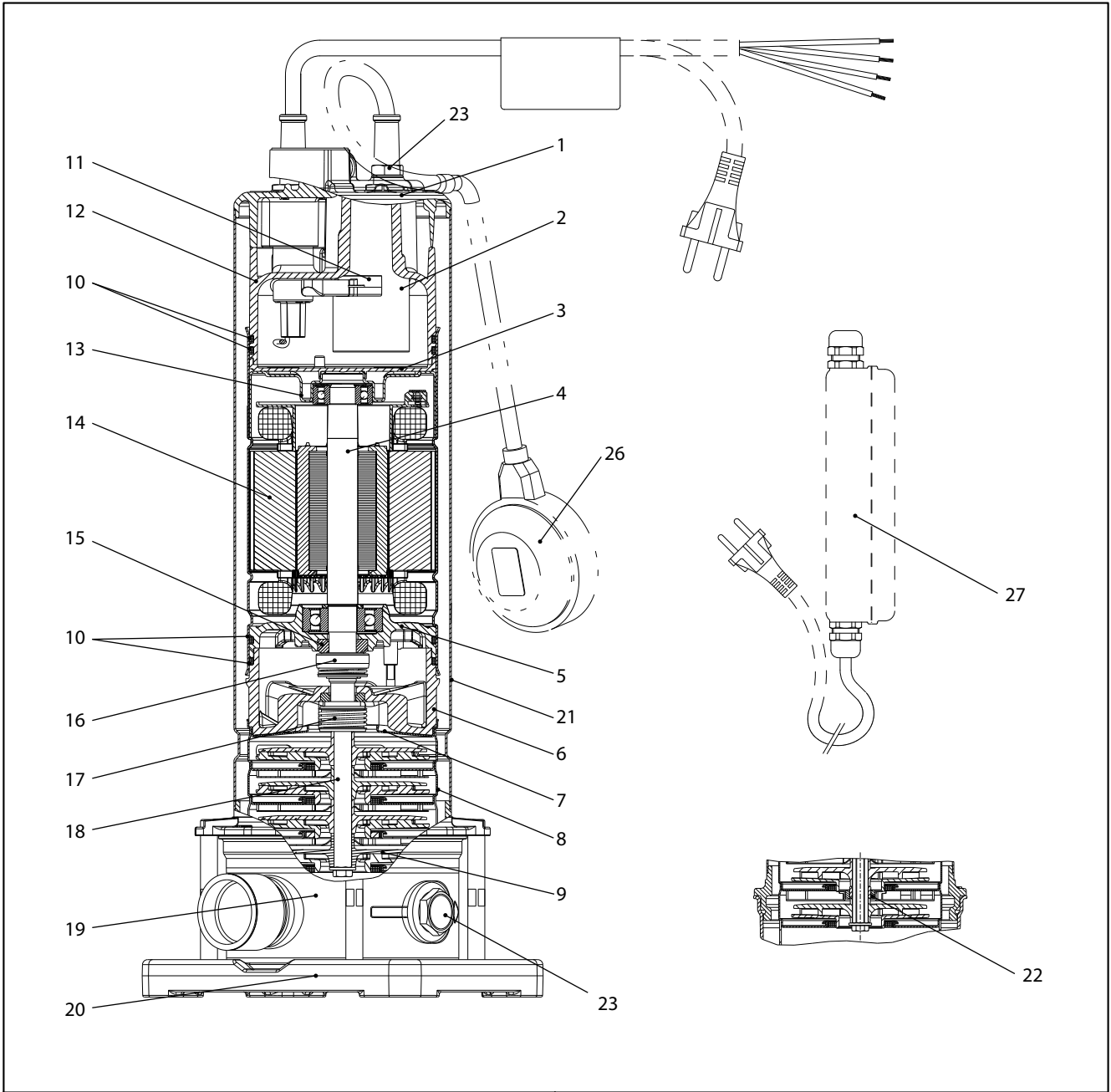
RATING PLATE - THREE-PHASE



LEGEND

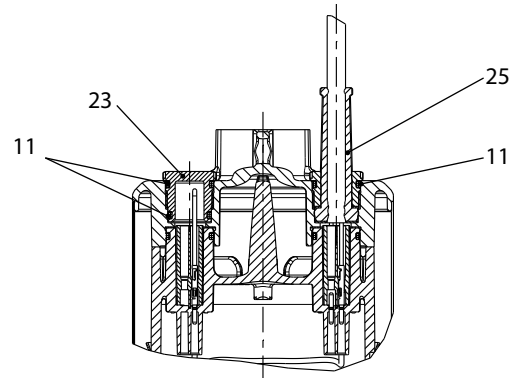
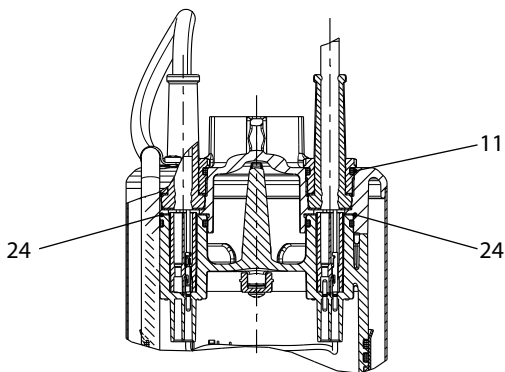
- 1 - Electric pump type
- 2 - Code
- 3 - Delivery range
- 4 - Head range
- 5 - Minimum head
- 6 - Motor nominal power
- 7 - Motor characteristics:
 - Motor type
 - Frequency
 - Supply voltage
 - Absorbed current
 - Absorbed power
 - Type of service S1
 - Thermal class
 - Capacity (single-phase version)
 - Capacitor voltage (single-phase version)
 - Protection class
- 8 - Weight
- 9 - Maximum operating liquid temperature
- 10 - Maximum operating ambient temperature
- 11 - Maximum operating pressure
- 12 - Speed
- 13 - Minimum efficiency index MEI (50 Hz only)
- 14 - Maximum immersion depth
- 15 - Serial number and manufacturing data

**SCUBA DRY SERIES
PUMP SECTION AND LIST OF MAIN COMPONENTS**



VERSION WITH FLOAT SWITCH

VERSION WITHOUT FLOAT SWITCH



04453BD_A_DS

SCUBA DRY SERIES TABLE OF MATERIALS

N°	DENOMINATION	MATERIAL	REFERENCE STANDARD	
			EUROPE	USA
1	Head	Stainless steel	EN 10088-1-GX5CrNi19-10 (1.4308)	ASTM A743 CF8
2	Capacitor			
3	Connection container	PA66-GF25		
4	Motor shaft	Stainless steel	EN 10088-3-X17CrNi16-2 (1.4057)	AISI 431
5	Lower bearing support	Die-cast aluminium		
6	Lower head	Technopolymer		
7	Final bowl	Stainless steel	EN 10088-1-X5CrNi18-10 (1.4301)	AISI 304
8	Diffuser	Stainless steel	EN 10088-1-X5CrNi18-10 (1.4301)	AISI 304
9	Impeller	Technopolymer		
10	Elastomers	Nitrile rubber (NBR)		
11	Capacitor housing spacer	PA66-GF25		
12	Upper head	Technopolymer		
13	Upper bearing support	Stainless steel	EN 10088-1-X5CrNi18-10 (1.4301)	AISI 304
14	Sleeve with wound stator	Stainless steel	EN 10088-1-X5CrNi18-10 (1.4301)	AISI 304
15	Internal mech. seal (rotary part)	Carbographite		
16	Internal mech. seal (fixed part)	Steatite		
17	External mech. seal	Silicon carbide / Silicon carbide / NBR		
18	Pump shaft	Stainless steel	EN 10088-3-X17CrNi16-2 (1.4057)	AISI 431
19	Pump body	Stainless steel	EN 10088-1-X5CrNi18-10 (1.4301)	AISI 304
20	Base (SCD version)	Aluminium	EN 1706-AC-AISI11Cu2 (Fe) (AC46100)	
	Base (SCDS version)	Stainless steel	EN 10088-1-GX5CrNi19-10 (1.4308)	ASTM A743 CF8
21	Sleeve	Stainless steel	EN 10088-1-X5CrNi18-10 (1.4301)	AISI 304
22	Bush bearing (*)	Technopolymer		
23	Plug	Stainless steel	EN 10088-1-X5CrNi18-10 (1.4301)	AISI 304
24	Plate gasket	EPDM		
25	Cable guide	Nitrile rubber (NBR)		
26	Float switch (**)			
27	QC (***)			

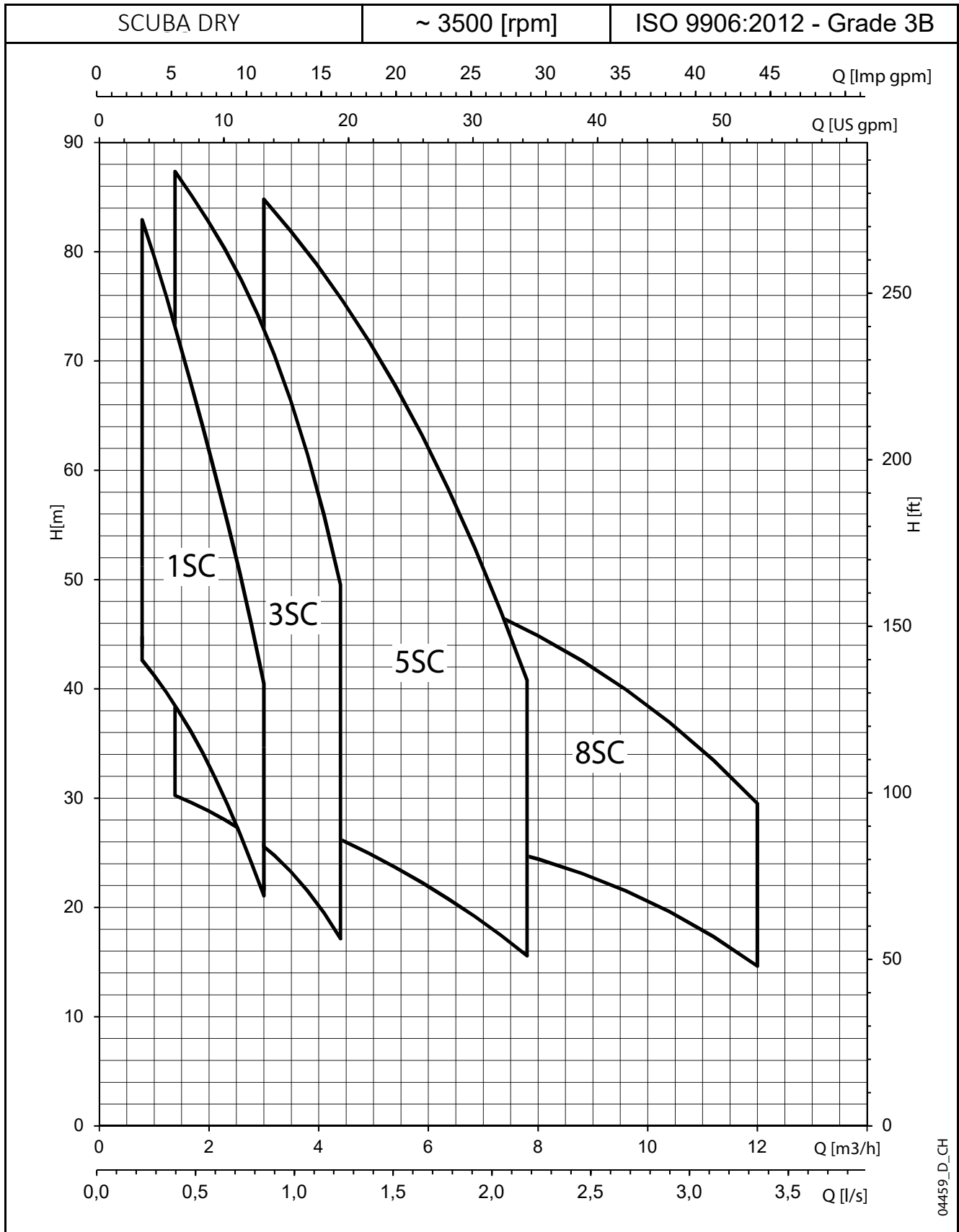
(*) Bush bearing version for models 1SC, 3SC, 5SC from 6 to 9 stages; 8SC from 5 to 6 stages.

scubadry-2p50-en_a_tm

(**) for G version only.

(***) for single-phase without capacitor only.

**SCUBA DRY SERIES
HYDRAULIC PERFORMANCE RANGE**



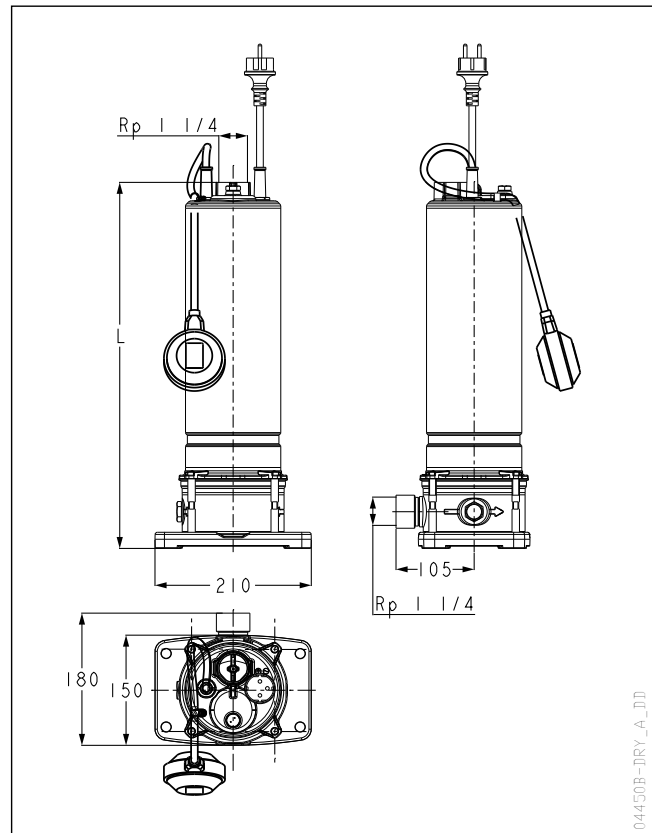
1SCD, 1SCDS SERIES DIMENSIONS AND WEIGHTS

PUMP TYPE	N. OF STAGE	DIMENSIONS L [mm]	WEIGHT [kg]	
			STANDARD VERSION	SUBMERSIBLE VERSION
1SCD..3/05/6..	3	478	13,8	16,9
1SCD..4/07/6..	4	518	15,5	18,6
1SCD..5/09/6..	5	538	15,9	19,4
1SCD..6/11/6..	6	578	17,8	21,3
1SCD..3/05/6T	3	478	13,6	17,1
1SCD..4/07/6T	4	518	16,5	19,7
1SCD..5/09/6T	5	538	16,8	19,9
1SCD..6/11/6T	6	578	18,6	21,8

PUMP TYPE	SECTION	CABLE TYPE	CABLE LENGHT [m]	
			STANDARD VERSION	SUBMERSIBLE VERSION
1SCD..3/05/6..	3G1	H07RN8-F	5	20
1SCD..4/07/6..	3G1,5	H07RN8-F	5	20
1SCD..5/09/6..	3G1,5	H07RN8-F	5	20
1SCD..6/11/6..	3G1,5	H07RN8-F	5	20
1SCD..3/05/6T	4G1	H07RN8-F	5	20
1SCD..4/07/6T	4G1,5	H07RN8-F	5	20
1SCD..5/09/6T	4G1,5	H07RN8-F	5	20
1SCD..6/11/6T	4G1,5	H07RN8-F	5	20

Versions with 10 meter cable available on request

1SCD-2p60-en_a_td



04450B-DRY_A_DD

HYDRAULIC PERFORMANCE TABLE

PUMP TYPE	RATED POWER		Q = DELIVERY									
			$\sqrt{\text{min 0}}$	13,3	18,3	23,3	28,3	33,3	38,3	43,3	48,3	50,0
			$\text{m}^3/\text{h 0}$	0,8	1,1	1,4	1,7	2,0	2,3	2,6	2,9	3,0
			H = TOTAL HEAD METRES COLUMN OF WATER									
1SCD..3/05/6..	0,55	0,75	48,1	44,0	42,1	39,8	37,3	34,4	31,1	27,7	23,9	22,6
1SCD..4/07/6..	0,75	1	63,9	58,6	56,0	53,1	49,7	45,8	41,6	36,9	32,0	30,3
1SCD..5/09/6..	0,9	1,2	78,4	71,5	67,7	63,6	59,0	54,2	49,0	43,3	37,1	34,9
1SCD..6/11/6..	1,1	1,5	90,7	82,6	77,9	72,8	67,4	61,8	56,0	49,8	42,9	40,5
1SCD..3/05/6T	0,55	0,75	47,1	42,5	40,6	38,3	35,8	33,0	29,8	26,3	22,4	21,1
1SCD..4/07/6T	0,75	1	62,7	58,2	55,2	51,7	48,1	44,2	40,1	35,8	31,0	29,3
1SCD..5/09/6T	0,9	1,2	76,7	69,7	66,0	61,9	57,4	52,5	47,2	41,6	35,5	33,3
1SCD..6/11/6T	1,1	1,5	89,4	82,1	77,8	72,7	67,0	60,9	54,3	47,4	40,3	37,9

Hydraulic performances in compliance with ISO 9906:2012 - Grade 3B (ex ISO 9906:1999 - Annex A)

1SCD-2p60-en_a_th

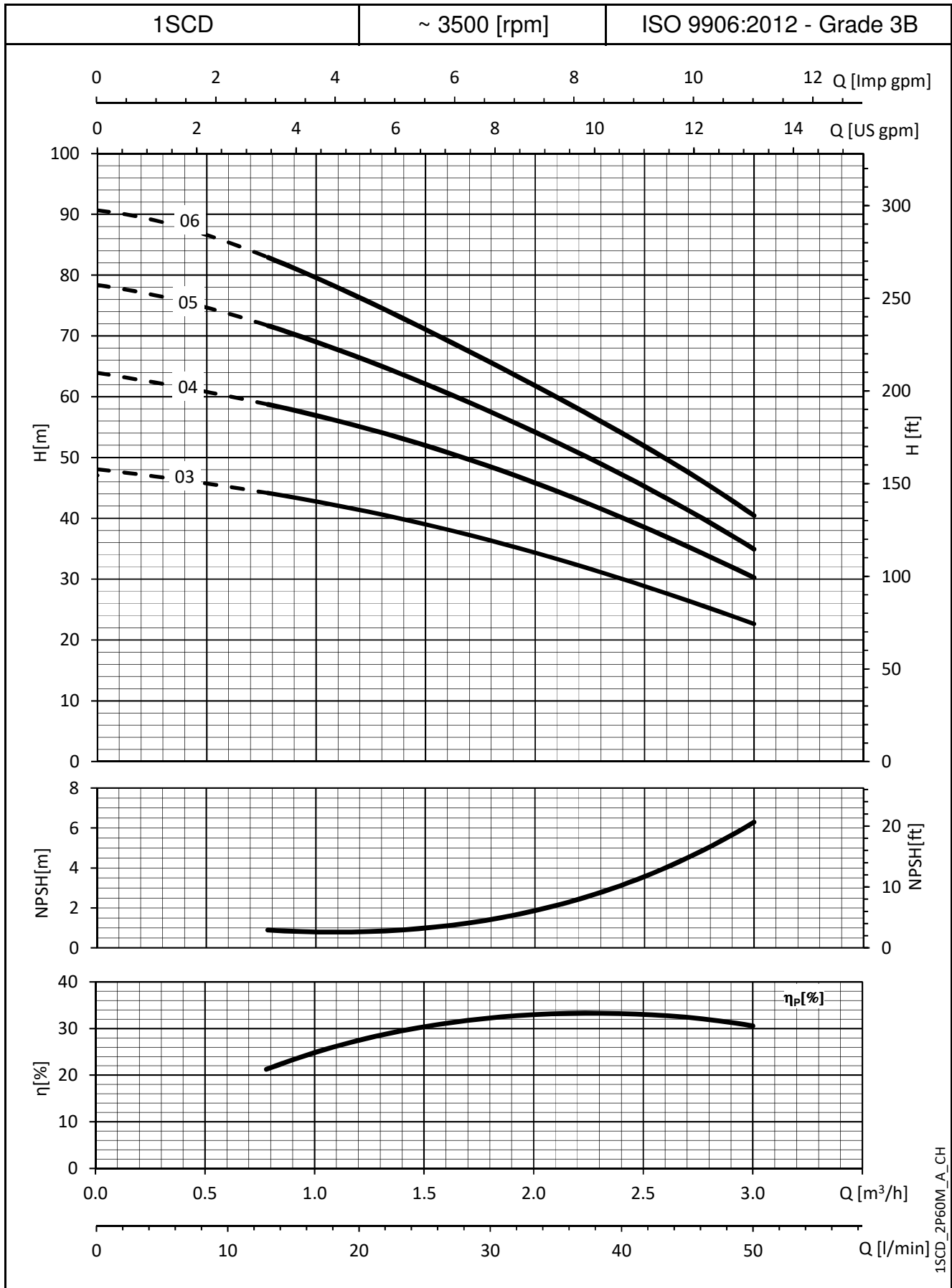
PUMP - CONTROL PANEL COMBINATION TABLE

PUMP TYPE	ABSORBED POWER* (P1 MAX) kW	ABSORBED CURRENT* 220-240 V A	ABSORBED CURRENT* 380-415 V A	CAPACITOR $\mu\text{F} / 450 \text{ V}$	TYPE	QC CABLE SECTION		ELECTRIC PUMP WEIGHT kg	PANEL TYPE 380-415 V	
						MOTOR SIDE	POWER SIDE		QTD	Q3D
1SCD..3/05/6..	0,84	3,83	-	16	0,55	4G1,5	3G1,5	13,2	-	-
1SCD..4/07/6..	1,07	4,68	-	25	0,90	4G1,5	3G1,5	15,7	-	-
1SCD..5/09/6..	1,25	5,64	-	25	0,90	4G1,5	3G1,5	16,0	-	-
1SCD..6/11/6..	1,50	6,82	-	30	1,10	4G1,5	3G1,5	17,2	-	-
1SCD..3/05/6T	0,75	2,39	1,38	-	-	-	-	-	03-05	03-05
1SCD..4/07/6T	0,98	3,27	1,89	-	-	-	-	-	05-07	05-07
1SCD..5/09/6T	1,19	3,74	2,16	-	-	-	-	-	05-07	05-07
1SCD..6/11/6T	1,41	4,33	2,50	-	-	-	-	-	05-07	05-07

*Maximum values within operating range.

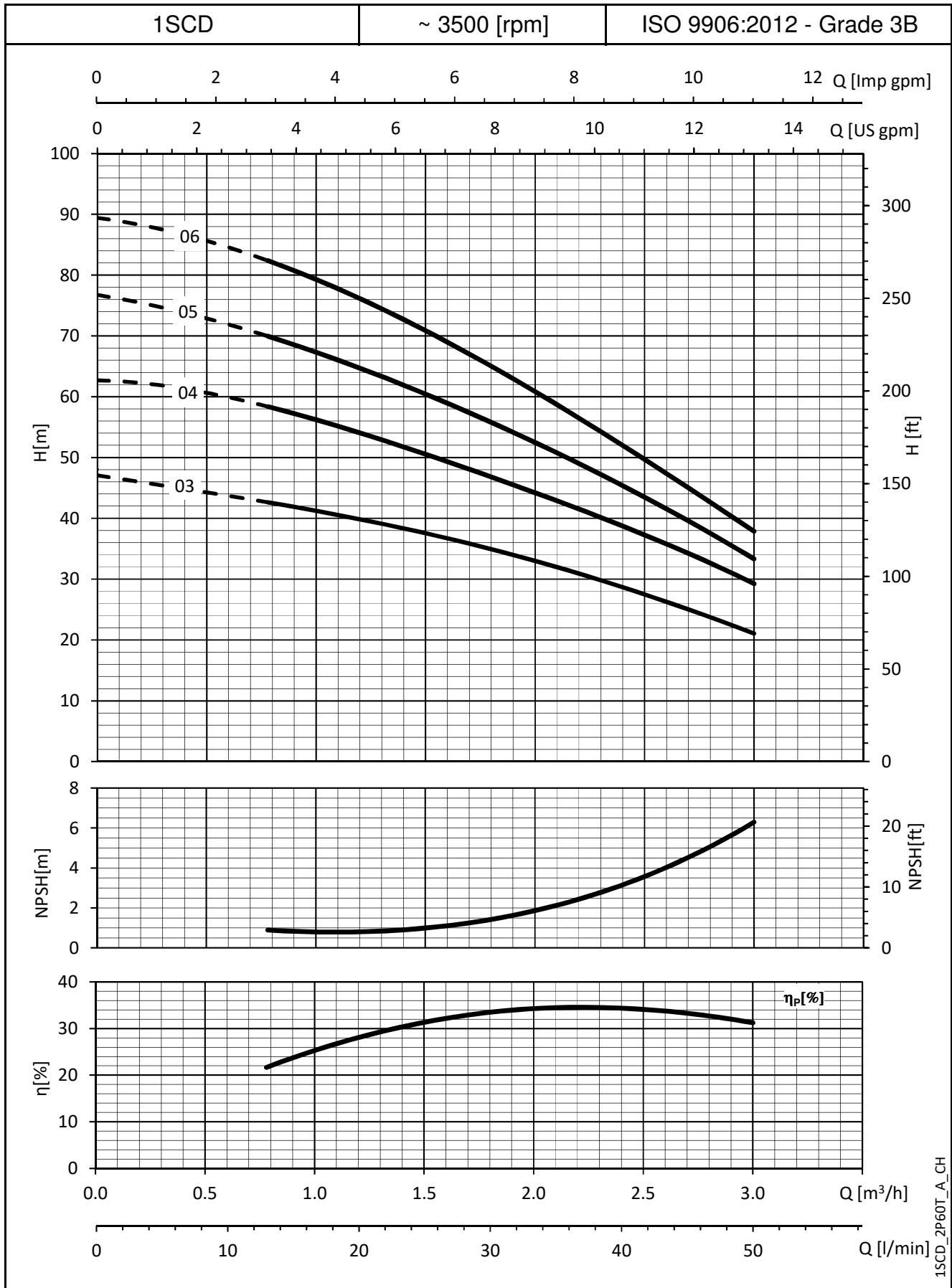
1SCD-2p60-en_a_tp

1SCD, 1SCDS SERIES - SINGLE PHASE VERSION OPERATING CHARACTERISTICS



These performances are valid for liquids with density $\rho = 1,0 \text{ Kg/dm}^3$ and kinematic viscosity $\nu = 1 \text{ mm}^2/\text{sec}$.

1SCD, 1SCDS SERIES - THREE PHASE VERSION OPERATING CHARACTERISTICS



These performances are valid for liquids with density $\rho = 1,0 \text{ Kg/dm}^3$ and kinematic viscosity $\nu = 1 \text{ mm}^2/\text{sec}$.

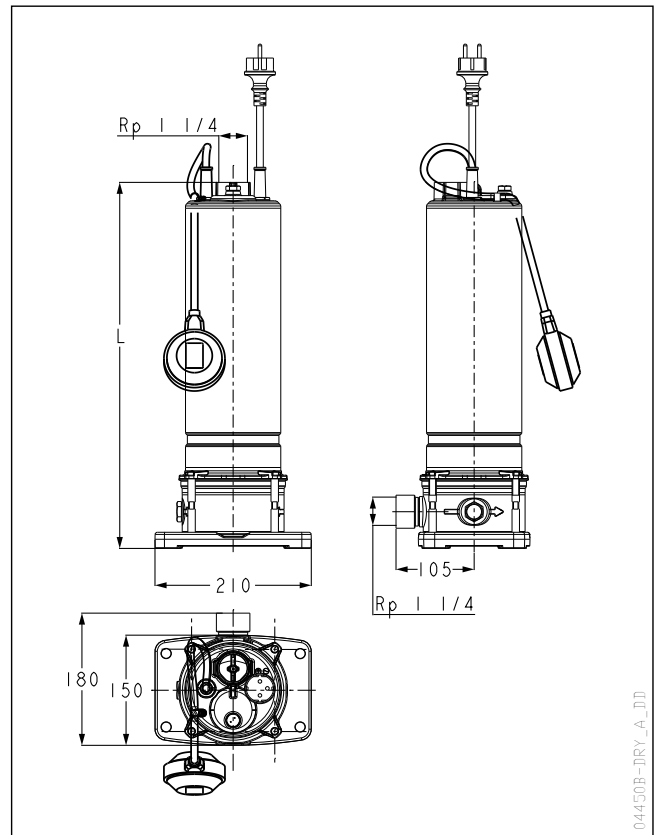
3SCD, 3SCDS SERIES DIMENSIONS AND WEIGHTS

PUMP TYPE	N. OF STAGE	DIMENSIONS L [mm]	WEIGHT [kg]	
			STANDARD VERSION	SUBMERSIBLE VERSION
3SCD..2/05/6..	2	478	13,5	16,6
3SCD..3/07/6..	3	498	15,3	19,0
3SCD..4/09/6..	4	518	15,6	19,2
3SCD..5/11/6..	5	558	17,4	20,7
3SCD..6/15/6..	6	608	20,7	24,1
3SCD..2/05/6T	2	478	13,6	16,9
3SCD..3/07/6T	3	498	16,2	19,2
3SCD..4/09/6T	4	518	16,5	19,5
3SCD..6/15/6T	6	588	20,4	23,5

PUMP TYPE	SECTION	CABLE TYPE	CABLE LENGHT [m]	
			STANDARD VERSION	SUBMERSIBLE VERSION
3SCD..2/05/6..	3G1	H07RN8-F	5	20
3SCD..3/07/6..	3G1,5	H07RN8-F	5	20
3SCD..4/09/6..	3G1,5	H07RN8-F	5	20
3SCD..5/11/6..	3G1,5	H07RN8-F	5	20
3SCD..6/15/6..	3G1,5	H07RN8-F	5	20
3SCD..2/05/6T	4G1	H07RN8-F	5	20
3SCD..3/07/6T	4G1	H07RN8-F	5	20
3SCD..4/09/6T	4G1	H07RN8-F	5	20
3SCD..6/15/6T	4G1	H07RN8-F	5	20

Versions with 10 meter cable available on request

3SCD-2p60-en_a_td



04450B-DRY_A_DD

HYDRAULIC PERFORMANCE TABLE

PUMP TYPE	RATED POWER		Q = DELIVERY										
			l/min 0	23,3	30,0	36,7	43,3	50,0	56,7	63,3	70,0	73,3	
			m ³ /h 0	1,4	1,8	2,2	2,6	3,0	3,4	3,8	4,2	4,4	
		H = TOTAL HEAD METRES COLUMN OF WATER											
	kW	HP											
3SCD..2/05/6..	0,55	0,75	33,6	30,2	29,3	28,3	27,1	25,6	23,7	21,5	18,7	17,1	
3SCD..3/07/6..	0,75	1	51,3	45,7	44,6	43,4	42,0	40,1	37,8	34,7	30,9	28,5	
3SCD..4/09/6..	0,9	1,2	66,7	57,9	56,2	54,3	52,1	49,5	46,0	41,6	35,9	32,6	
3SCD..5/11/6..	1,1	1,5	80,4	70,1	67,6	64,9	61,8	58,2	53,9	48,7	42,4	38,7	
3SCD..6/15/6..	1,5	2	98,1	87,2	84,2	81,0	77,3	72,9	67,7	61,4	53,8	49,5	
3SCD..2/05/6T	0,55	0,75	34,1	30,9	29,9	28,8	27,5	25,9	24,0	21,7	19,0	17,4	
3SCD..3/07/6T	0,75	1	50,8	46,3	45,1	43,7	42,1	40,1	37,5	34,3	30,4	28,2	
3SCD..4/09/6T	0,9	1,2	67,4	59,3	57,6	55,9	53,9	51,4	48,2	44,0	38,8	35,7	
3SCD..6/15/6T	1,5	2	98,0	84,9	82,5	80,0	77,0	73,2	68,2	61,5	52,9	47,7	

Hydraulic performances in compliance with ISO 9906:2012 - Grade 3B (ex ISO 9906:1999 - Annex A)

3SCD-2p60-en_a_tp

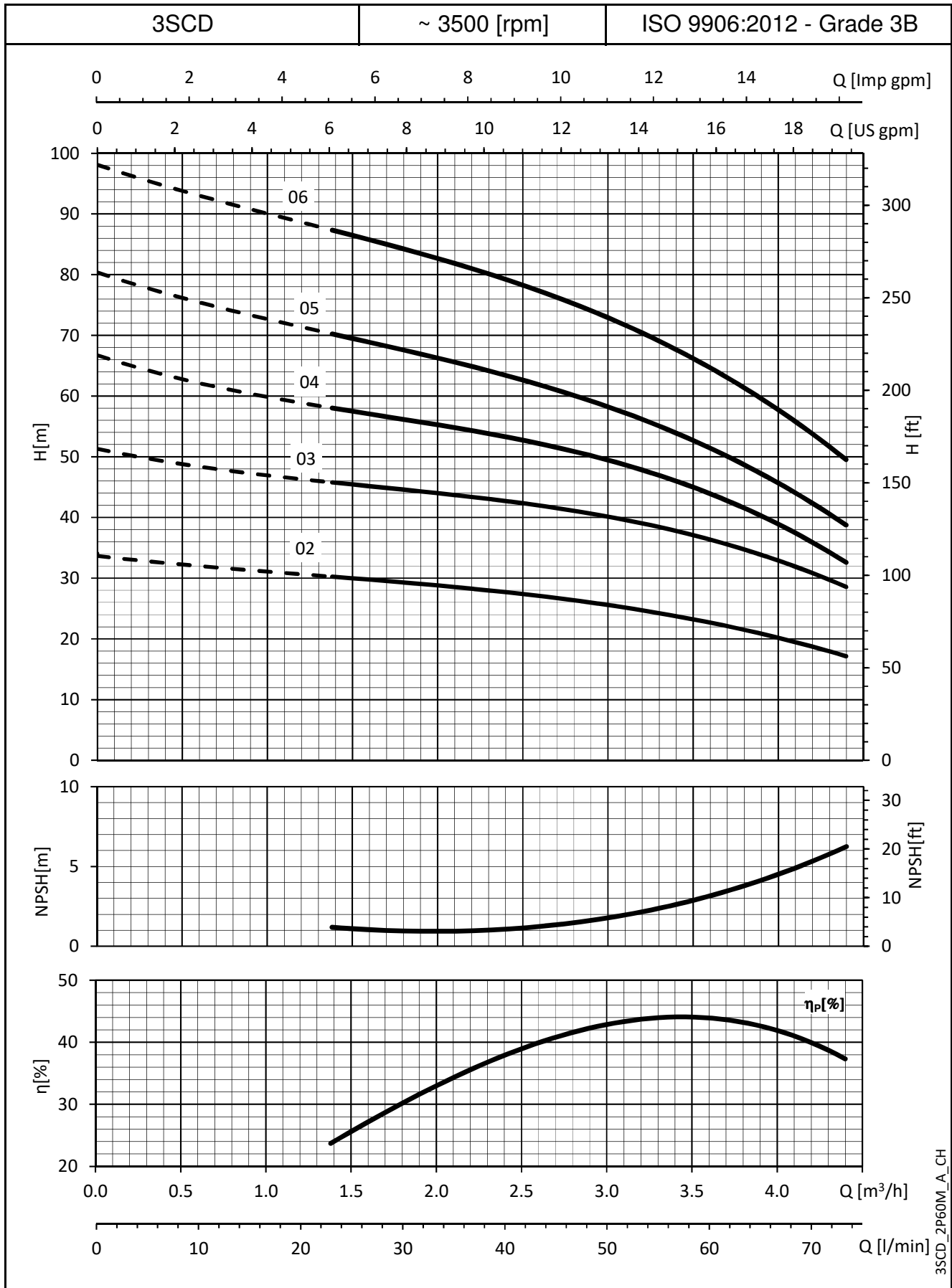
PUMP - CONTROL PANEL COMBINATION TABLE

PUMP TYPE	ABSORBED POWER* (P1 MAX) kW	ABSORBED CURRENT* 220-240 V A	ABSORBED CURRENT* 380-415 V A	CAPACITOR μF / 450 V	TYPE	QC CABLE SECTION		ELECTRIC PUMP WEIGHT kg	PANEL TYPE 380-415 V	
						MOTOR SIDE	POWER SIDE		QTD../	Q3D../
3SCD..2/05/6..	0,78	3,60	-	16	0,55	4G1,5	3G1,5	13,1	-	-
3SCD..3/07/6..	1,08	4,92	-	25	0,90	4G1,5	3G1,5	15,4	-	-
3SCD..4/09/6..	1,32	5,96	-	25	0,90	4G1,5	3G1,5	15,7	-	-
3SCD..5/11/6..	1,65	7,47	-	30	1,10	4G1,5	3G1,5	17,3	-	-
3SCD..6/15/6..	2,00	9,06	-	40	1,50	4G1,5	3G1,5	19,5	-	-
3SCD..2/05/6T	0,69	2,25	1,30	-	-	-	-	-	03-05	03-05
3SCD..3/07/6T	0,99	3,31	1,91	-	-	-	-	-	05-07	05-07
3SCD..4/09/6T	1,27	3,93	2,27	-	-	-	-	-	05-07	05-07
3SCD..6/15/6T	1,79	5,58	3,22	-	-	-	-	-	07-15	07-15

* Maximum values within operating range

3SCD-2p60-en_a_tp

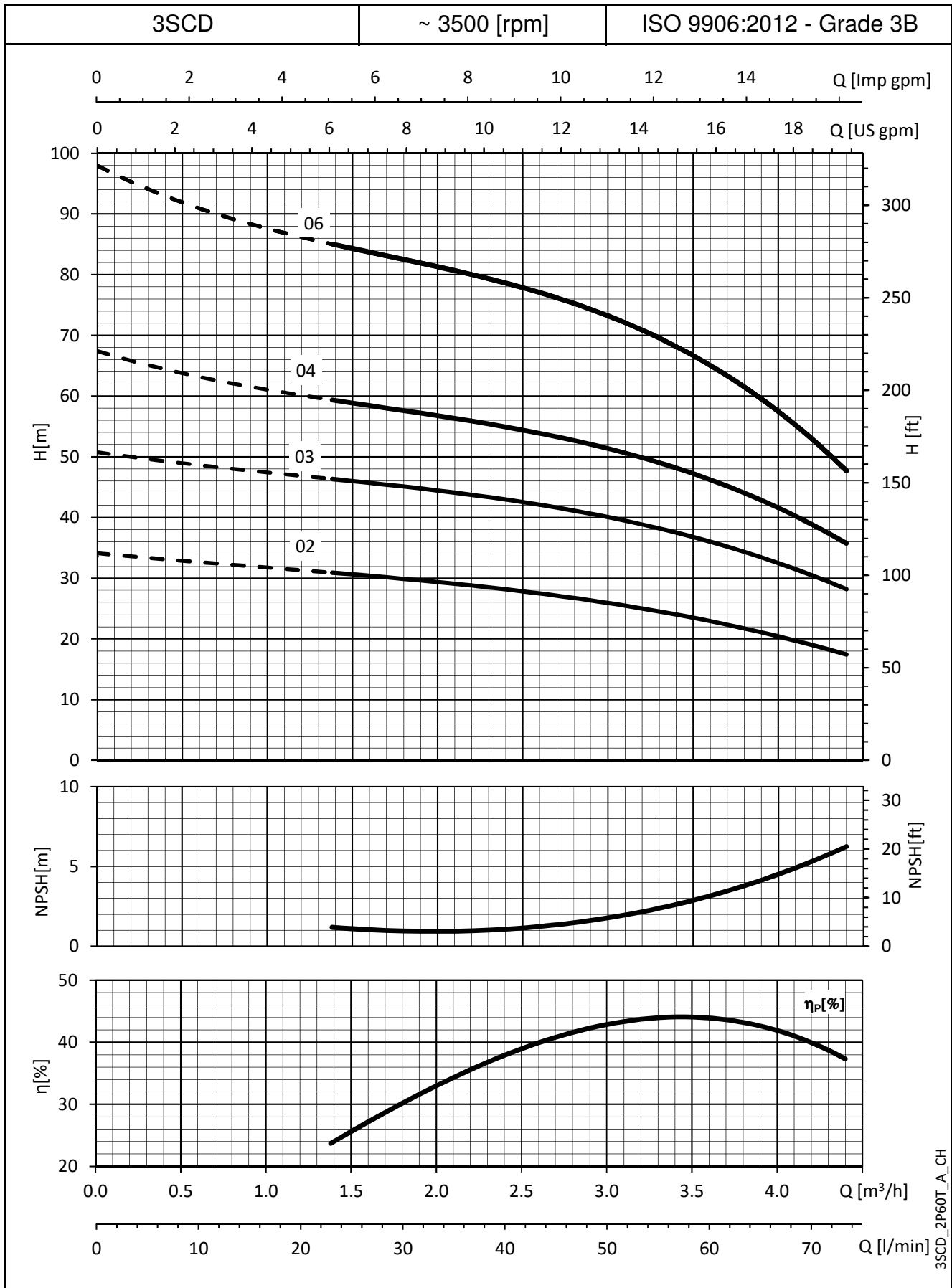
3SCD, 3SCDS SERIES - SINGLE PHASE VERSION OPERATING CHARACTERISTICS



3SCD_2PG60M_A_CH

These performances are valid for liquids with density $\rho = 1,0 \text{ Kg/dm}^3$ and kinematic viscosity $\nu = 1 \text{ mm}^2/\text{sec}$.

3SCD, 3SCDS SERIES - THREE PHASE VERSION OPERATING CHARACTERISTICS



3SCD_2P60T_A_CH

These performances are valid for liquids with density $\rho = 1,0 \text{ Kg/dm}^3$ and kinematic viscosity $\nu = 1 \text{ mm}^2/\text{sec}$.

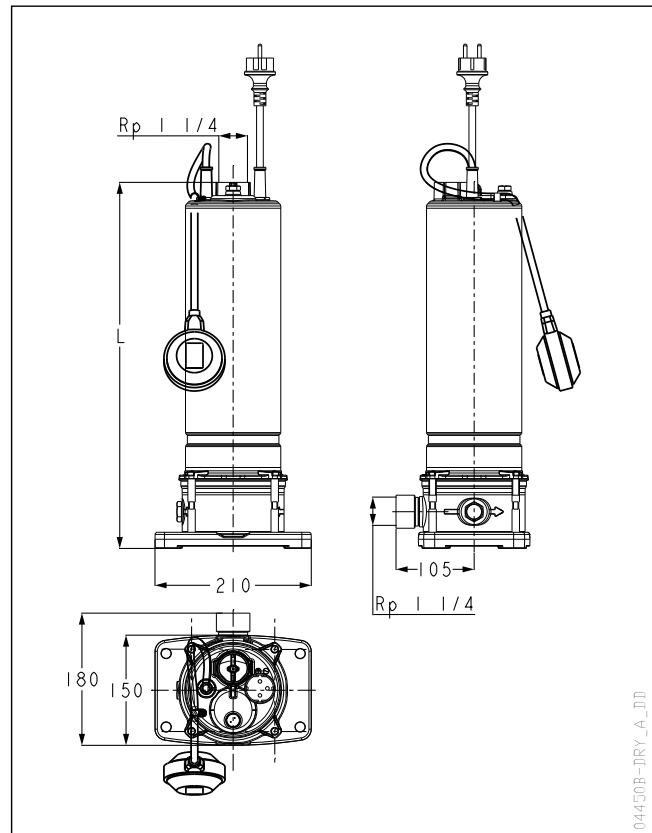
5SCD, 5SCDS SERIES DIMENSIONS AND WEIGHTS

PUMP TYPE	N. OF STAGE	DIMENSIONS L [mm]	WEIGHT [kg]	
			STANDARD VERSION	SUBMERSIBLE VERSION
5SCD..2/07/6..	2	478	15,2	18,7
5SCD..3/11/6..	3	518	16,7	20,2
5SCD..4/15/6..	4	588	19,3	22,8
5SCD..2/07/6T	2	478	17,0	20,0
5SCD..3/11/6T	3	518	17,6	20,7
5SCD..4/15/6T	4	588	19,0	22,1
5SCD..6/22/6T	6	608	20,5	23,6

PUMP TYPE	SECTION	CABLE TYPE	CABLE LENGTH [m]	
			STANDARD VERSION	SUBMERSIBLE VERSION
5SCD..2/07/6..	3G1,5	H07RN8-F	5	20
5SCD..3/11/6..	3G1,5	H07RN8-F	5	20
5SCD..4/15/6..	3G1,5	H07RN8-F	5	20
5SCD..2/07/6T	4G1,5	H07RN8-F	5	20
5SCD..3/11/6T	4G1,5	H07RN8-F	5	20
5SCD..4/15/6T	4G1,5	H07RN8-F	5	20
5SCD..6/22/6T	4G1,5	H07RN8-F	5	20

Versions with 10 meter cable available on request

5SCD-2p60-en_a_td



HYDRAULIC PERFORMANCE TABLE

PUMP TYPE	RATED POWER		Q = DELIVERY									
			l_{min}	50	60	70	80	90	100	110	120	130
			m^3/h	3,0	3,6	4,2	4,8	5,4	6,0	6,6	7,2	7,8
		H = TOTAL HEAD METRES COLUMN OF WATER										
kW	HP	34,6	29,7	28,5	27,2	25,8	24,2	22,5	20,6	18,5	16,2	
5SCD..2/07/6..	0,75	1	34,6	29,7	28,5	27,2	25,8	24,2	22,5	20,6	18,5	16,2
5SCD..3/11/6..	1,1	1,5	51,3	43,7	42,0	40,1	37,9	35,6	32,9	30,0	26,6	23,0
5SCD..4/15/6..	1,5	2	68,0	59,0	56,6	54,0	50,9	47,3	43,3	38,7	33,5	27,7
5SCD..2/07/6T	0,75	1,1	34,3	29,3	28,0	26,7	25,2	23,7	21,9	20,0	17,9	15,6
5SCD..3/11/6T	1,1	1,5	51,0	43,7	41,9	40,1	37,9	35,6	33,0	30,0	26,7	23,0
5SCD..4/15/6T	1,5	2	68,9	59,1	56,6	53,9	50,8	47,2	43,2	38,7	33,6	27,9
5SCD..6/22/6T	2,2	3	100,7	84,8	81,2	77,2	72,8	67,7	62,1	55,7	48,6	40,8

Hydraulic performances in compliance with ISO 9906:2012 - Grade 3B (ex ISO 9906:1999 - Annex A)

5SCD-2p60-en_a_th

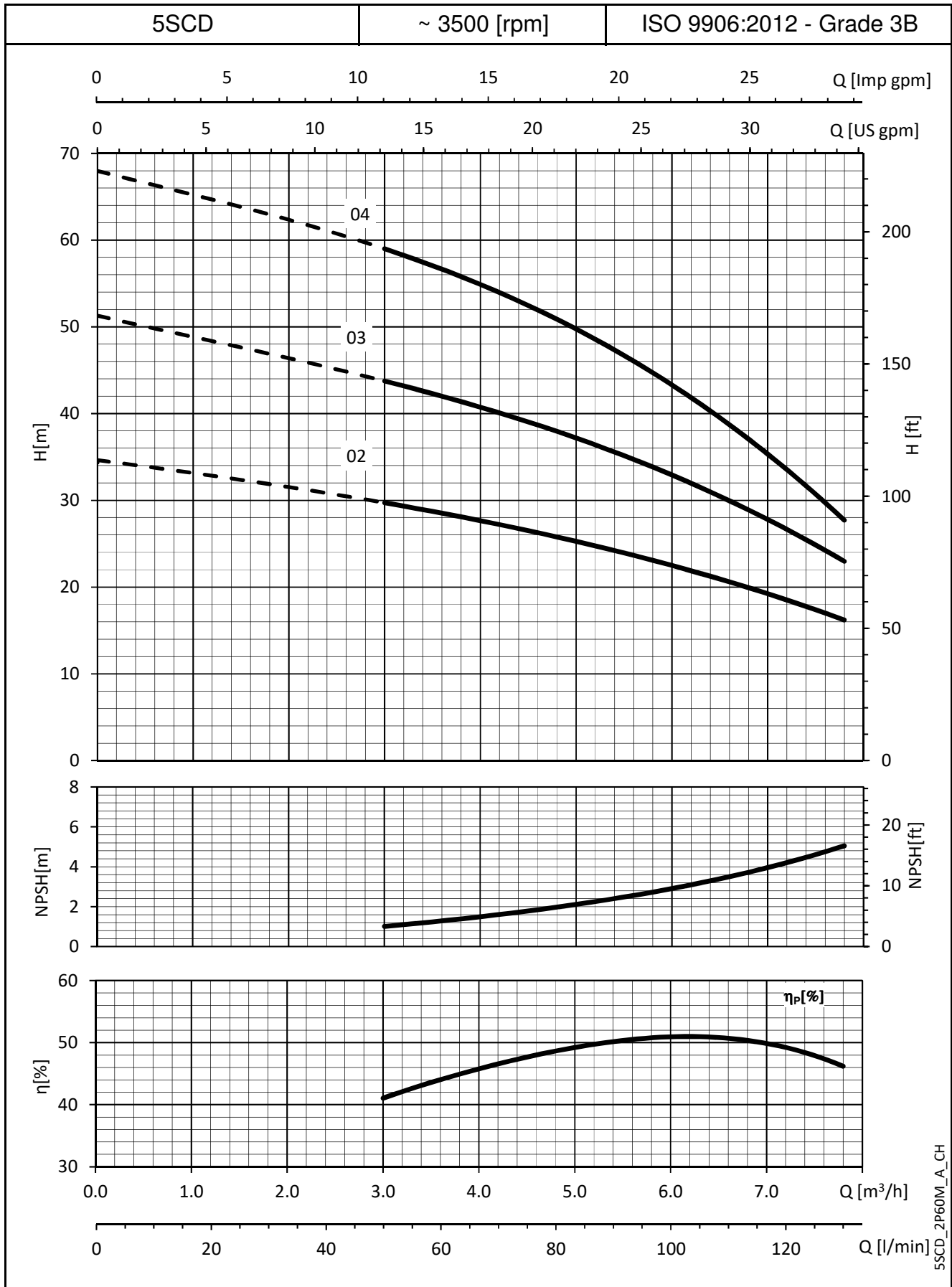
PUMP - CONTROL PANEL COMBINATION TABLE

PUMP TYPE	ABSORBED POWER* (P1 MAX) kW	ABSORBED CURRENT* 220-240 V A	ABSORBED CURRENT* 380-415 V A	CAPACITOR $\mu F / 450 V$	QC CABLE SECTION			ELECTRIC PUMP WEIGHT kg	PANEL TYPE 380-415 V	
					TYPE	MOTOR SIDE	POWER SIDE		QTD	Q3D
5SCD..2/07/6..	1,00	4,59	-	25	0,90	4G1,5	3G1,5	13,9	-	-
5SCD..3/11/6..	1,39	6,34	-	30	1,10	4G1,5	3G1,5	16,7	-	-
5SCD..4/15/6..	1,84	5,72	-	40	1,50	4G1,5	3G1,5	17,9	-	-
5SCD..2/07/6T	0,91	3,12	1,80	-	-	-	-	-	05-07	05-07
5SCD..3/11/6T	1,29	4,05	2,34	-	-	-	-	-	05-07	05-07
5SCD..4/15/6T	1,63	5,18	2,99	-	-	-	-	-	07-15	07-15
5SCD..6/22/6T	2,35	7,01	4,05	-	-	-	-	-	15-22	15-22

* Maximum values within operating range

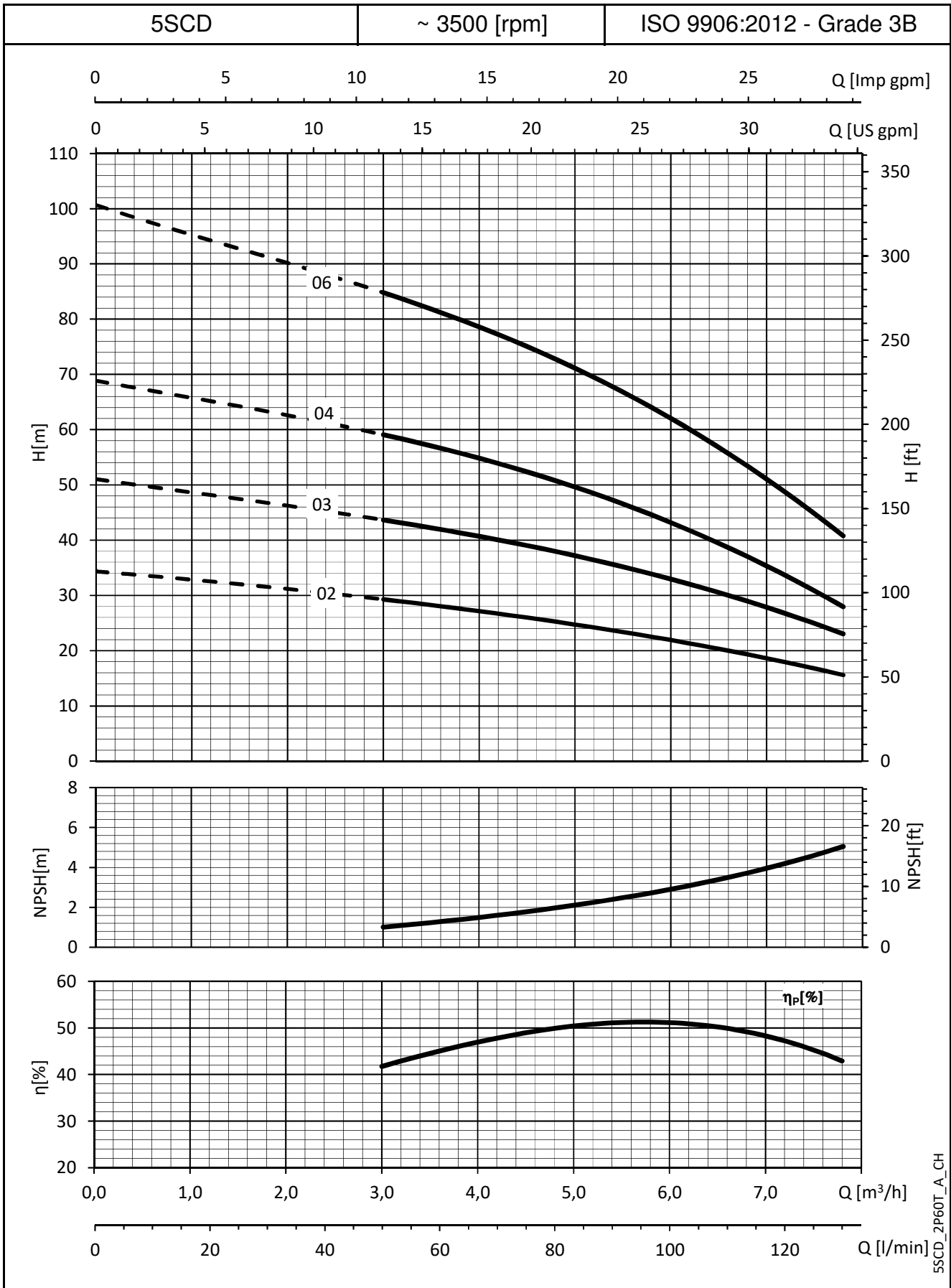
5SCD-2p60-en_a_tp

5SCD, 5SCDS SERIES- SINGLE PHASE VERSION OPERATING CHARACTERISTICS



These performances are valid for liquids with density $\rho = 1,0 \text{ Kg/dm}^3$ and kinematic viscosity $\nu = 1 \text{ mm}^2/\text{sec}$.

5SCD, 5SCDS SERIES - THREE PHASE VERSION OPERATING CHARACTERISTICS



These performances are valid for liquids with density $\rho = 1,0 \text{ Kg/dm}^3$ and kinematic viscosity $\nu = 1 \text{ mm}^2/\text{sec}$.

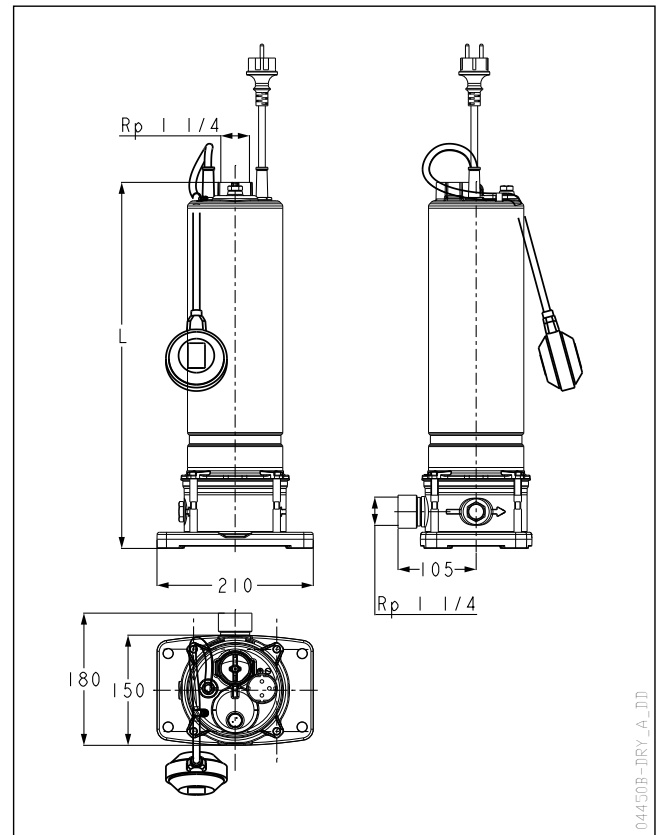
8SCD, 8SCDS SERIES DIMENSIONS AND WEIGHTS

PUMP TYPE	N. OF STAGE	DIMENSIONS L [mm]	WEIGHT [kg]	
			STANDARD VERSION	SUBMERSIBLE VERSION
8SCD..2/11/6..	2	558	17,0	20,6
8SCD..3/15/6..	3	618	19,3	22,9
8SCD..2/11/6T	2	558	18,0	21,1
8SCD..4/22/6T	4	588	20,4	23,5

PUMP TYPE	SECTION	CABLE TYPE	CABLE LENGHT [m]	
			STANDARD VERSION	SUBMERSIBLE VERSION
8SCD..2/11/6..	3G1,5	H07RN8-F	5	20
8SCD..3/15/6..	3G1,5	H07RN8-F	5	20
8SCD..2/11/6T	4G1,5	H07RN8-F	5	20
8SCD..4/22/6T	4G1,5	H07RN8-F	5	20

Versions with 10 meter cable available on request

8SCD-2p60-en_a_td



HYDRAULIC PERFORMANCE TABLE

PUMP TYPE	RATED POWER		Q = DELIVERY											
			l/min 0	75,0	90,0	105,0	120	135	150	165	180	200		
			m ³ /h 0	4,5	5,4	6,3	7,2	8,1	9,0	9,9	10,8	12,0		
		H = TOTAL HEAD METRES COLUMN OF WATER												
		kW	HP											
8SCD..2/11/6..	1,1	1,5	31,9	28,2	27,5	26,7	25,7	24,5	22,9	21,0	18,6	14,6		
8SCD..3/15/6..	1,5	2	48,6	42,6	41,8	40,8	39,5	37,8	35,5	32,5	28,7	22,2		
8SCD..2/11/6T	1,1	1,5	31,8	28,0	27,3	26,5	25,5	24,3	22,7	20,8	18,5	14,6		
8SCD..4/22/6T	2,2	3	61,0	52,2	50,6	48,8	46,9	44,6	42,0	38,9	35,3	29,5		

Hydraulic performances in compliance with ISO 9906:2012 - Grade 3B (ex ISO 9906:1999 - Annex A)

8SCD-2p60-en_a_td

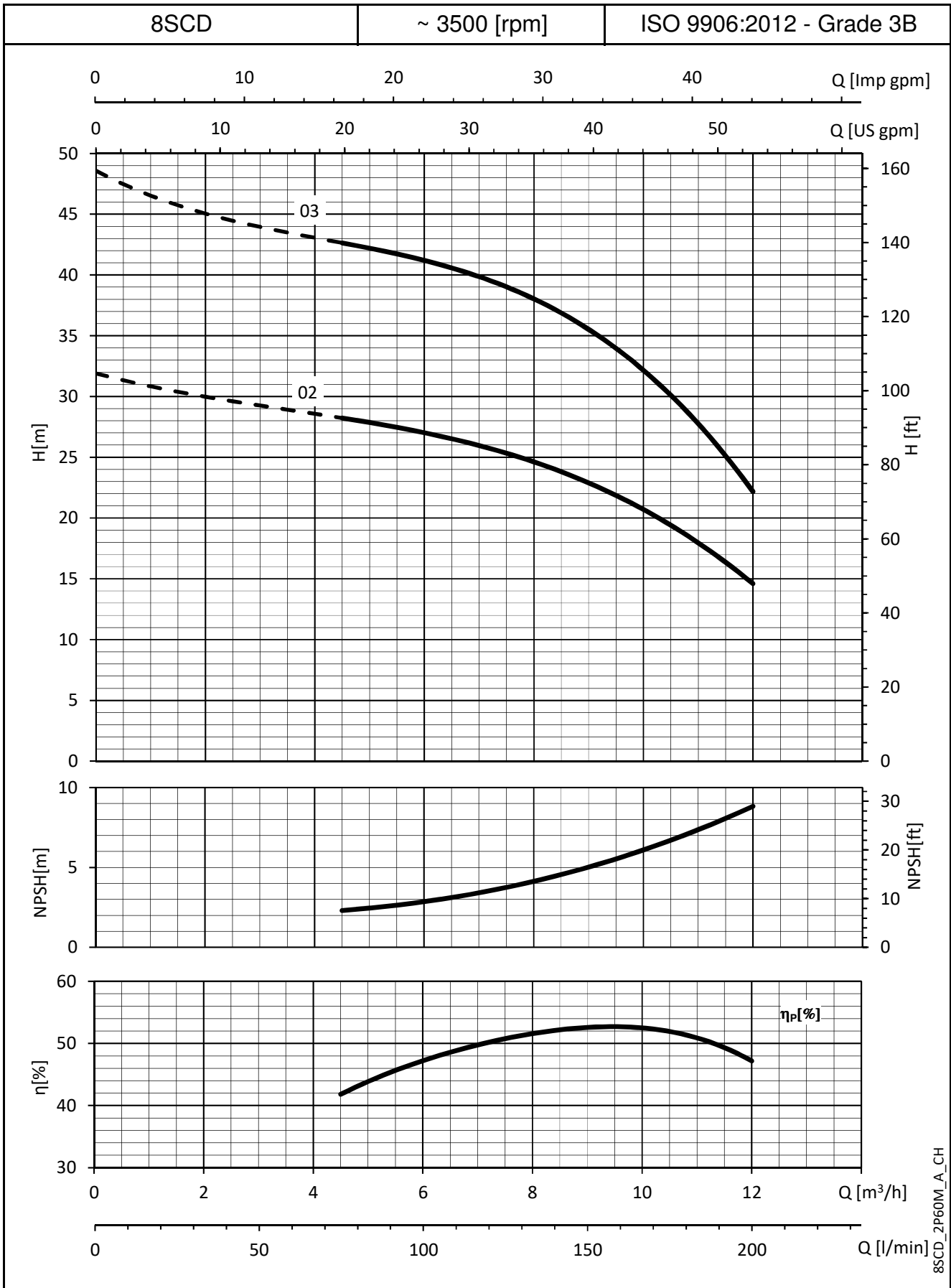
PUMP - CONTROL PANEL COMBINATION TABLE

PUMP TYPE	ABSORBED POWER* (P1 MAX)	ABSORBED CURRENT* 220-240 V	ABSORBED CURRENT* 380-415 V	CAPACITOR	QC CABLE SECTION			ELECTRIC PUMP WEIGHT	PANEL TYPE 380-415 V		
					TYPE	MOTOR SIDE	POWER SIDE		kg	QTD	Q3D
8SCD..2/11/6..	1,50	6,79	-	30	1,1	4G1,5	3G1,5	17,2	-	-	
8SCD..3/15/6..	2,16	9,73	-	40	1,5	4G1,5	3G1,5	19,4	-	-	
8SCD..2/11/6T	1,40	4,31	2,49	-	-	-	-	-	07-15	07-15	
8SCD..4/22/6T	2,55	7,52	4,34	-	-	-	-	-	15-22	15-22	

* Maximum values within operating range

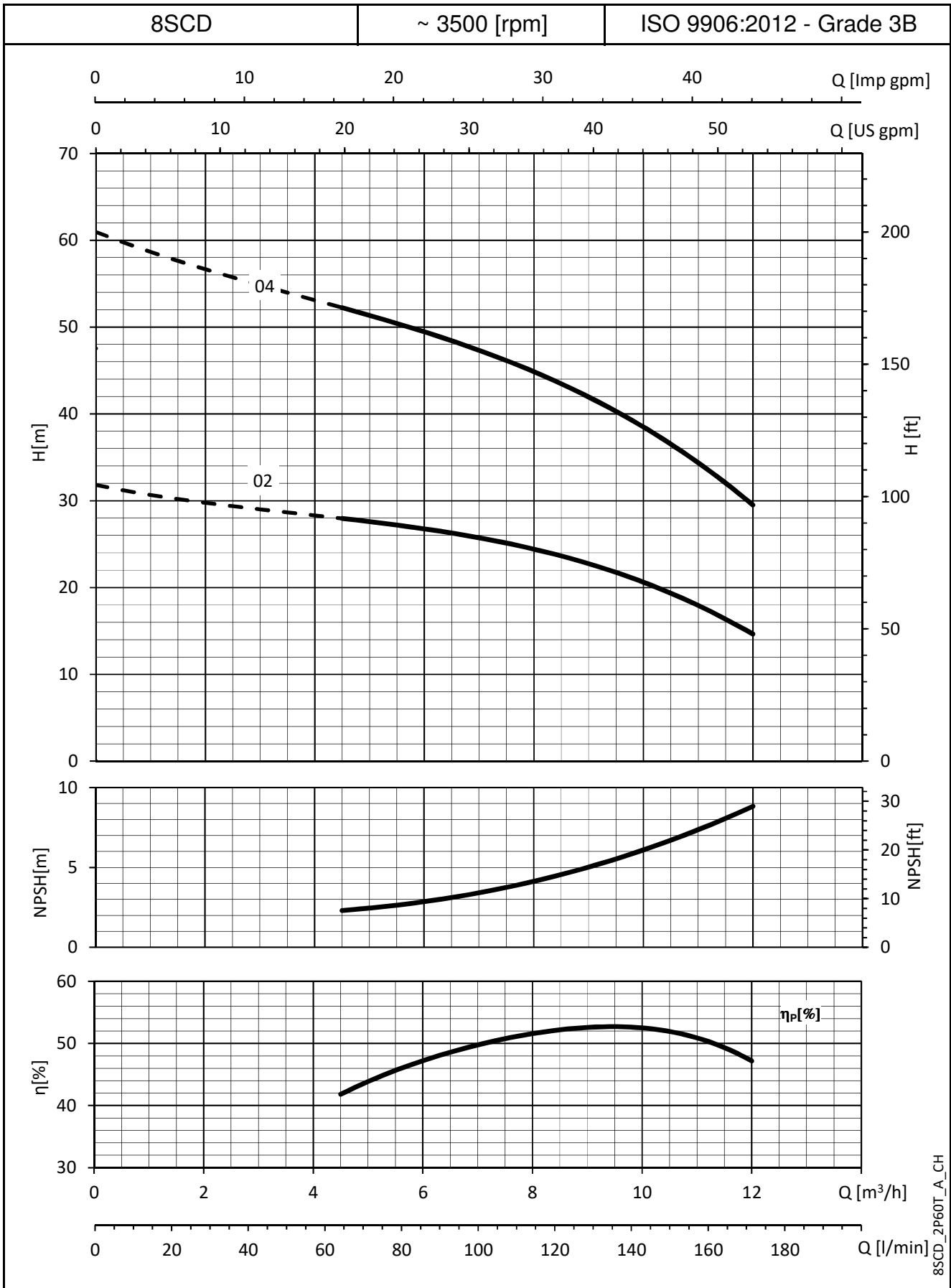
8SCD-2p60-en_a_td

8SCD, 8SCDS SERIES - SINGLE PHASE VERSION OPERATING CHARACTERISTICS



These performances are valid for liquids with density $\rho = 1,0 \text{ Kg/dm}^3$ and kinematic viscosity $\nu = 1 \text{ mm}^2/\text{sec}$.

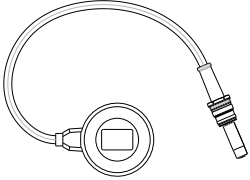
8SCD, 8SCDS SERIES - THREE PHASE VERSION OPERATING CHARACTERISTICS



These performances are valid for liquids with density $\rho = 1,0 \text{ Kg/dm}^3$ and kinematic viscosity $\nu = 1 \text{ mm}^2/\text{sec}$.

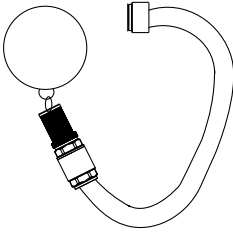
ACCESSORIES

ACCESSORIES FLOAT SWITCH KIT

Model	Part Number	Description
	109400540	Float switch kit for clean water Cable length 535 mm
	109400550	Float switch kit certified for drinking water Cable length 535 mm

En_Rev_A

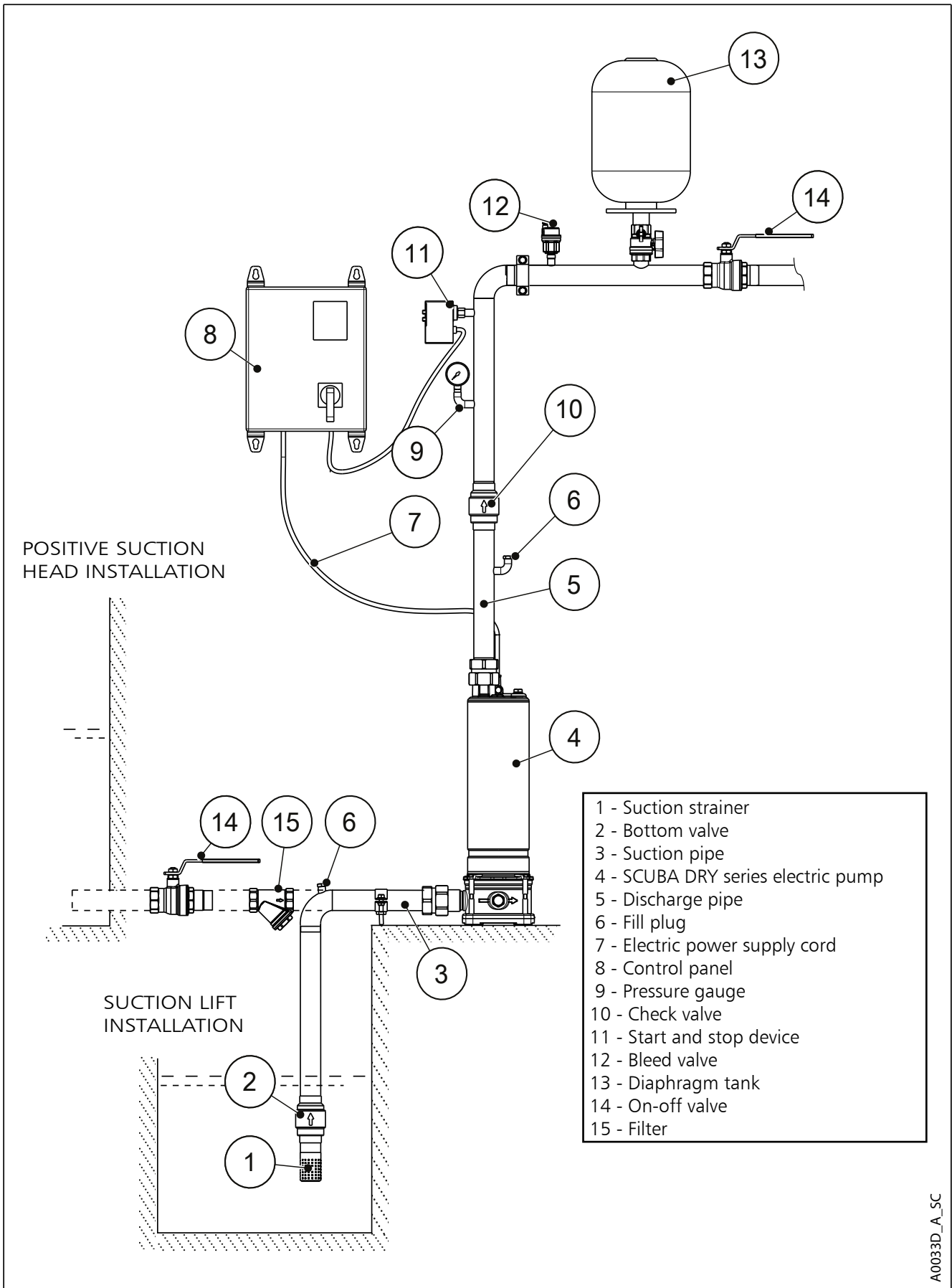
FLOATING SUCTION DEVICE KIT

Model	Part Number	Description
	109400560	Floating suction device kit specific for rainwater collection tanks. It allows suction of clean water free of sedimented particles.

En_Rev_A

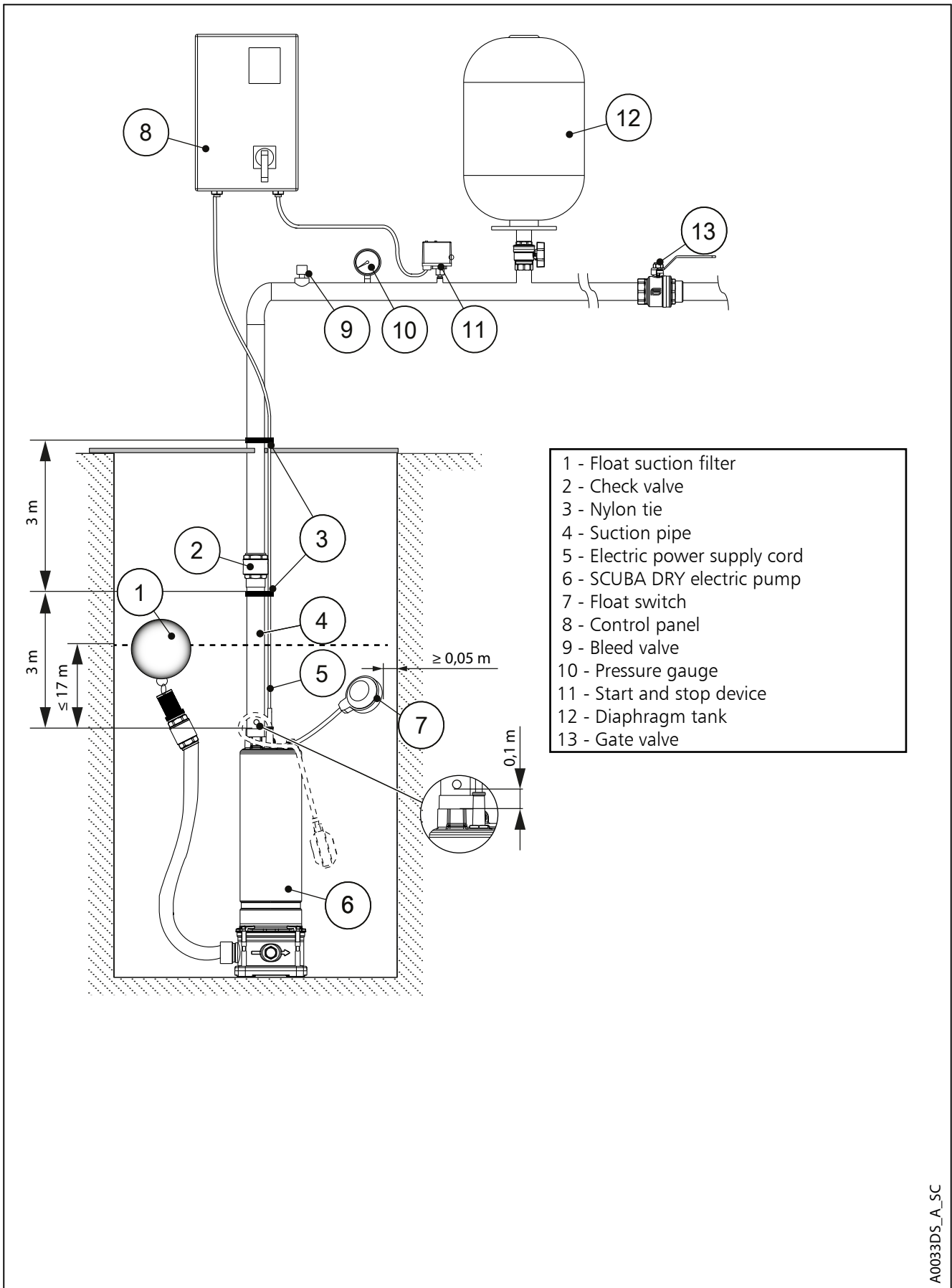
TECHNICAL APPENDIX

EXAMPLE OF INSTALLATION OF A SCUBA DRY ELECTRIC PUMP ON THE SURFACE



A003D_A_SC

**EXAMPLE OF INSTALLATION OF A
SUBMERGED SCUBA DRY ELECTRIC PUMP**



SCUBA, 60 Hz: SIZING OF ETHYLENE-PROPILENE (EPR) CABLES, DOL (DIRECT ON LINE) STARTING

PUMP TYPE SINGLE-PHASE	RATED POWER		RATED VOLTAGE V	Cos φ	ABSORBED CURRENT A	VOLTAGE DROP %	CABLE GAUGE: 3 x ...mm ²											
	Kw	HP					mm ²	1	1,5	2,5	4	6	10	16	25			
							A max	17	23	32	42	54	75	100	127			
							Maximum lenght in metres											
1SC3/05/6..	0,55	0,75	220	0,965	3,81	4		60	90	150	239							
			230	0,950	3,83			63	95	158	253							
1SC4/07/6..	0,75	1	220	0,974	4,88			46	69	116	185	278						
			230	0,954	4,85			50	75	124	199	298						
1SC5/09/6..	0,9	1,2	220	0,986	5,64			40	59	99	158	237						
			230	0,974	5,57			42	64	106	170	254						
1SC6/11/6..	1,1	1,5	220	0,989	6,82			33	49	82	130	196						
			230	0,982	6,65			35	53	88	141	211						
3SC2/05/6..	0,55	0,75	220	0,962	3,56			64	96	161	257	385	642					
			230	0,941	3,60			68	102	170	272	407	679					
3SC3/07/6..	0,75	1	220	0,975	4,92			46	69	115	183	275						
			230	0,960	4,89			49	73	122	196	294						
3SC4/09/6..	0,9	1,2	220	0,989	5,96			37	56	93	149	224	373					
			230	0,978	5,87			40	60	100	160	240	401					
3SC5/11/6..	1,1	1,5	220	0,991	7,47			30	45	74	119	178	297	475				
			230	0,985	7,27			32	48	80	128	193	321	514				
3SC6/15/6..	1,5	2	220	0,983	9,06			25	37	62	99	148	247					
			230	0,972	8,96			26	40	66	106							
5SC2/07/6..	0,75	1	220	0,969	4,59			49	74	124	198	297						
			230	0,952	4,58			53	79	132	211	317						
5SC3/11/6..	1,1	1,5	220	0,986	6,34			35	53	88	141	211	352					
			230	0,977	6,20			38	57	95	152	228	380					
5SC4/15/6..	1,5	2	220	0,979	8,38			27	40	67	107	161						
			230	0,965	8,31			29	43	72	115	172						
8SC2/11/6..	1,1	1,5	220	0,989	6,79		33	49	82	131	197	328						
			230	0,981	6,63		35	53	88	141	212							
8SC3/15/6..	1,5	2	220	0,987	9,7		23	34	57	92	137	229	367					
			230	0,976	9,6		25	37	61	98	147	245	392					

Exposed cable laid at a temperature of 30°C, maximum conductor temperature of 80°C.

scuba-2p60M-en_a_te

SCUBA, 60 Hz: SIZING OF ETHYLENE-PROPILENE (EPR) CABLES, DOL (DIRECT ON LINE) STARTING

PUMP TYPE THREE-PHASE	RATED POWER		RATED VOLTAGE V	Cos φ	ABSORBED CURRENT A	VOLTAGE DROP %	CABLE GAUGE: 4 x ...mm ²									
	Kw	HP					mm ²	1	1,5	2,5	4	6	10	16	25	
							A max	17	23	32	42	54	75	100	127	
1SC3/05/6T	0,55	0,75	220	0,827	2,39	4		144	216	359						
			230	0,804	2,32		159	239	398							
			380	0,827	1,38		430									
			400	0,804	1,34		480									
1SC4/07/6T	0,75	1	220	0,785	3,27		111	166	277	442						
			230	0,755	3,26		121	181	302	483						
			380	0,785	1,89		331									
			400	0,755	1,88		364									
1SC5/09/6T	0,90	1,2	220	0,829	3,74		92	137	229	367						
			230	0,804	3,69		100	150	250	401						
			380	0,829	2,16		274									
			400	0,804	2,13		302									
1SC6/11/6T	1,1	1,5	220	0,853	4,33		77	115	192	308						
			230	0,835	4,21		85	127	211	338						
			380	0,853	2,50		230	345								
			400	0,835	2,43		255	382								
3SC2/05/6T	0,55	0,75	220	0,804	2,25	157	236	393	628							
			230	0,785	2,18	173	260	434	694							
			380	0,804	1,30	470	705									
			400	0,785	1,26	522	784									
3SC3/07/6T	0,75	1	220	0,786	3,31	109	164	273	437							
			230	0,755	3,29	120	179	299	478							
			380	0,786	1,91	327	491									
			400	0,755	1,90	360	540									
3SC4/09/6T	0,90	1,2	220	0,843	3,93	86	129	214	343							
			230	0,820	3,86	94	141	235	375							
			380	0,843	2,27	257	385									
			400	0,820	2,23	283	424									
3SC6/15/6T	1,5	2	220	0,844	5,58	60	91	151								
			230	0,816	5,40	67	101	168								
			380	0,844	3,22	181										
			400	0,816	3,12	203										

Exposed cable laid at a temperature of 30°C, maximum conductor temperature of 80°C.

scuba1-2p60T-en_a_te

SCUBA, 60 Hz: SIZING OF ETHYLENE-PROPILENE (EPR) CABLES, DOL (DIRECT ON LINE) STARTING

PUMP TYPE THREE-PHASE	RATED POWER		RATED VOLTAGE V	Cos φ	ABSORBED CURRENT A	VOLTAGE DROP %	CABLE GAUGE: 4 x ...mm ²								
	Kw	HP					mm ²	1	1,5	2,5	4	6	10	16	25
							A max	17	23	32	42	54	75	100	127
5SC2/07/6T	0,75	1	220	0,760	3,12	4		120	180	300	480				
			240	0,730	3,10		137	206	343	548					
			380	0,760	1,80		359	538							
			415	0,730	1,79		410	615							
5SC3/11/6T	1,1	1,5	220	0,836	4,05		84	126	210	336					
			240	0,817	3,95		96	144	240	384					
			380	0,836	2,34		251	376							
			415	0,817	2,28		288	432							
5SC4/15/6T	1,5	2	220	0,826	5,18		66	100	166	266					
			240	0,793	5,04		78	116	194	310					
			380	0,826	2,99		199	298							
			415	0,793	2,91		232	349							
5SC6/22/6T	2,2	3	220	0,871	7,01		47	70	116	186					
			240	0,852	6,89		53	79	132	211					
			380	0,871	4,05		139	209							
			415	0,852	3,98		158	237							
8SC2/11/6T	1,1	1,5	220	0,851	4,31	77	116	194	310						
			240	0,834	4,19	89	133	222	355						
			380	0,851	2,49	232	348								
			415	0,834	2,42	266	398								
8SC4/22/6T	2,2	3	220	0,882	7,52	43	64	107	171						
			240	0,866	7,36	49	73	122	195						
			380	0,882	4,34	128	192								
			415	0,866	4,25	146	219								

Exposed cable laid at a temperature of 30°C, maximum conductor temperature of 80°C.

scuba2-2p60T-en_a_te

WATER REQUIREMENTS IN CIVIL USERS

Determination of the water requirement depends on the type of users and contemporaneity factor. The calculation may be subject to regulations, standards or customs that may vary from country to country. The calculation method shown below is an example based on practical experience, designed to provide a reference value and not a substitute for detailed analytical calculation.

Water requirements in condominiums

The **consumption table** shows the maximum values for each delivery point, depending on the plumbing amenities.

MAXIMUM CONSUMPTION FOR EACH DELIVERY POINT

TYPE	CONSUMPTION (l/min)
Sink	9
Dishwasher	10
Washing machine	12
Shower	12
Bathtub	15
Washbasin	6
Bidet	6
Flush tank WC	6
Controlled flushing system WC	90

G-at-cm-en_a_th

The **sum of the water consumption values** of each delivery point determines the maximum theoretical requirement, which must be reduced according to the **contemporaneity coefficient**, because in actual fact the delivery points are never used all together.

$$f = \frac{1}{\sqrt{(0,857 \times Nr \times Na)}} \quad \text{Coefficient for apartments with one bathroom and flush tank WC}$$

$$f = \frac{1}{\sqrt{(0,857 \times Nr \times Na)}} \quad \text{Coefficient for apartments with one bathroom and controlled flushing system WC}$$

$$f = \frac{1,03}{\sqrt{(0,545 \times Nr \times Na)}} \quad \text{Coefficient for apartments with two bathrooms and flush tank WC}$$

$$f = \frac{0,8}{\sqrt{(0,727 \times Nr \times Na)}} \quad \text{Coefficient for apartments with two bathrooms and controlled flushing system WC}$$

f = coefficient; Nr = number of delivery points; Na = number of apartments

The **table of water requirements in civil users** shows the maximum contemporaneity flow-rate values based on the **number of apartments** and the type of WC for apartments with one bathroom and two bathrooms. As regards apartments with one bathroom, 7 drawing points have been taken into consideration, while 11 points have been considered for apartments with two bathrooms. If the number of drawing points or apartments is different, use the formulas to **calculate** the requirement.

TABLE OF WATER REQUIREMENTS IN CIVIL USERS

NUMBER OF APARTMENTS	WITH FLUSH TANK WC		WITH CONTROLLED FLUSHING SYSTEM WC	
	1	2	1	2
	FLOW RATE (l/min)			
1	32	40	60	79
2	45	56	85	111
3	55	68	105	136
4	63	79	121	157
5	71	88	135	176
6	78	97	148	193
7	84	105	160	208
8	90	112	171	223
9	95	119	181	236
10	100	125	191	249
11	105	131	200	261
12	110	137	209	273
13	114	143	218	284
14	119	148	226	295
15	123	153	234	305
16	127	158	242	315
17	131	163	249	325
18	134	168	256	334
19	138	172	263	343
20	142	177	270	352
21	145	181	277	361
22	149	185	283	369
23	152	190	290	378
24	155	194	296	386
25	158	198	302	394
26	162	202	308	401
27	165	205	314	409
28	168	209	320	417
29	171	213	325	424
30	174	217	331	431
35	187	234	357	466
40	200	250	382	498
45	213	265	405	528
50	224	280	427	557
55	235	293	448	584
60	245	306	468	610
65	255	319	487	635
70	265	331	506	659
75	274	342	523	682
80	283	354	540	704
85	292	364	557	726
90	301	375	573	747
95	309	385	589	767
100	317	395	604	787
120	347	433	662	863
140	375	468	715	932
160	401	500	764	996
180	425	530	811	1056
200	448	559	854	1114

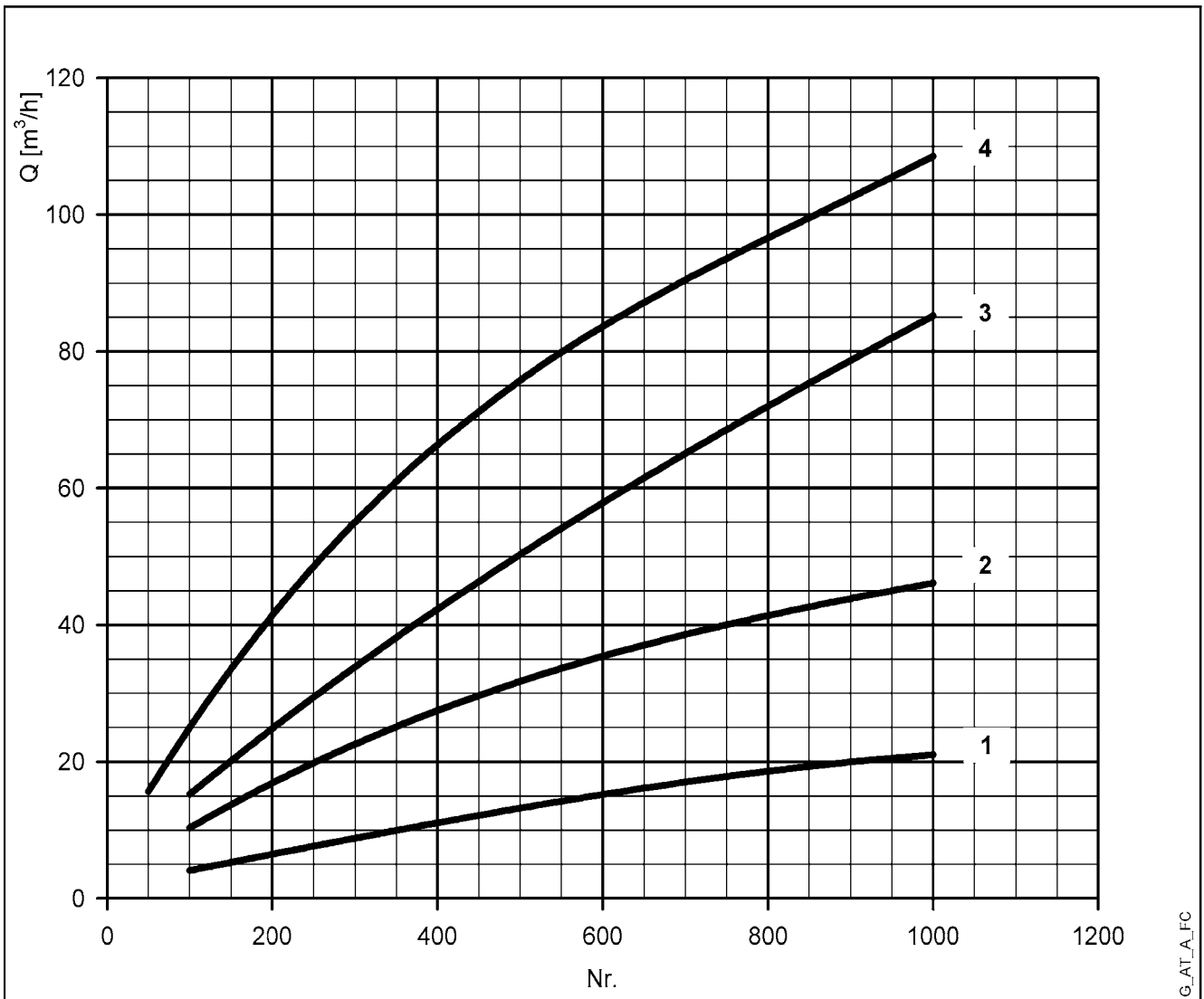
For seaside resorts, a flow rate increased by at least 20% must be considered.

G-at-fi_a_th

WATER REQUIREMENTS FOR COMMUNITY BUILDINGS

The requirements of buildings intended for specific uses, such as **offices, residential units, hotels, department stores, nursing homes** and so on, are different from those of condominiums, and both their global daily water consumption and the maximum contemporaneity flow rate are usually greater. The **diagram of water requirements for community buildings** shows the maximum contemporaneity flow rate of some types of communities, for guidance.

These requirements must be determined case by case with the utmost accuracy, using analytical calculation methods, according to particular needs and local provisions.



For seaside resorts, the flow rate must be increased by at least 20%.

- 1= Offices (N. of people)
- 2= Department stores (N. of people)
- 3= Nursing homes (N. of beds)
- 4= Hotels, residences (N. of beds)

TABLE OF FLOW RESISTANCE IN 100 m OF STRAIGHT CAST IRON PIPELINE (HAZEN-WILLIAMS FORMULA C=100)

FLOW RATE		NOMINAL DIAMETER in mm and inches																	
m ³ /h	l/min	15 1/2"	20 3/4"	25 1"	32 1 1/4"	40 1 1/2"	50 2	65 2 1/2"	80 3"	100 4"	125 5"	150 6"	175 7"	200 8"	250 10"	300 12"	350 14"	400 16"	
0,6	10	v hr 0,94 16	0,53 3,94	0,34 1,33	0,21 0,40	0,13 0,13													
0,9	15	v hr 1,42 33,9	0,80 8,35	0,51 2,82	0,31 0,85	0,20 0,29													
1,2	20	v hr 1,89 57,7	1,06 14,21	0,68 4,79	0,41 1,44	0,27 0,49	0,17 0,16												
1,5	25	v hr 2,36 87,2	1,33 21,5	0,85 7,24	0,52 2,18	0,33 0,73	0,21 0,25												
1,8	30	v hr 2,83 122	1,59 30,1	1,02 10,1	0,62 3,05	0,40 1,03	0,25 0,35												
2,1	35	v hr 3,30 162	1,86 40,0	1,19 13,5	0,73 4,06	0,46 1,37	0,30 0,46												
2,4	40	v hr 2,12 51,2	1,36 17,3	0,83 5,19	0,53 1,75	0,34 0,59	0,20 0,16												
3	50	v hr 2,65 77,4	1,70 26,1	1,04 7,85	0,66 2,65	0,42 0,89	0,25 0,25												
3,6	60	v hr 3,18 108	2,04 36,6	1,24 11,0	0,80 3,71	0,51 1,25	0,30 0,35												
4,2	70	v hr 3,72 144	2,38 48,7	1,45 14,6	0,93 4,93	0,59 1,66	0,35 0,46												
4,8	80	v hr 4,25 185	2,72 62,3	1,66 18,7	1,06 6,32	0,68 2,13	0,40 0,59												
5,4	90	v hr 3,06 77,5		1,87 23,3	1,19 7,85	0,76 2,65	0,45 0,74	0,30 0,27											
6	100	v hr 3,40 94,1		2,07 28,3	1,33 9,54	0,85 3,22	0,50 0,90	0,33 0,33											
7,5	125	v hr 4,25 142		2,59 42,8	1,66 14,4	1,06 4,86	0,63 1,36	0,41 0,49											
9	150	v hr 3,11 59,9		1,99 20,2	1,27 6,82	0,75 1,90	0,50 0,69	0,32 0,23											
10,5	175	v hr 3,63 79,7		2,32 26,9	1,49 9,07	0,88 2,53	0,58 0,92	0,37 0,31											
12	200	v hr 4,15 102		2,65 34,4	1,70 11,6	1,01 3,23	0,66 1,18	0,42 0,40											
15	250	v hr 5,18 154		3,32 52,0	2,12 17,5	1,26 4,89	0,83 1,78	0,53 0,60	0,34 0,20										
18	300	v hr 3,98 72,8		2,55 24,6	1,51 6,85	1,00 2,49	0,64 0,84	0,41 0,28											
24	400	v hr 5,31 124		3,40 41,8	2,01 11,66	1,33 4,24	0,85 1,43	0,54 0,48	0,38 0,20										
30	500	v hr 6,63 187		4,25 63,2	2,51 17,6	1,66 6,41	1,06 2,16	0,68 0,73	0,47 0,30										
36	600	v hr 5,10 88,6		3,02 24,7	1,99 8,98	1,27 3,03	0,82 1,02	0,57 0,42	0,42 0,20										
42	700	v hr 5,94 118		3,52 32,8	2,32 11,9	1,49 4,03	0,95 1,36	0,66 0,56	0,49 0,26										
48	800	v hr 6,79 151		4,02 42,0	2,65 15,3	1,70 5,16	1,09 1,74	0,75 0,72	0,55 0,34										
54	900	v hr 7,64 188		4,52 52,3	2,99 19,0	1,91 6,41	1,22 2,16	0,85 0,89	0,62 0,42										
60	1000	v hr 5,03 63,5		3,32 23,1	2,12 7,79	1,36 2,63	0,94 1,08	0,69 0,51	0,53 0,27										
75	1250	v hr 6,28 96,0		4,15 34,9	2,65 11,8	1,70 3,97	1,18 1,63	0,87 0,77	0,66 0,40										
90	1500	v hr 7,54 134		4,98 48,9	3,18 16,5	2,04 5,57	1,42 2,29	1,04 1,08	0,80 0,56										
105	1750	v hr 8,79 179		5,81 21,9	3,72 7,40	2,38 3,05	1,65 1,44	1,21 0,75	0,93 0,75										
120	2000	v hr 6,63 83,3		4,25 28,1	2,72 9,48	1,89 3,90	1,39 1,84	1,06 0,96	0,68 0,32										
150	2500	v hr 8,29 126		5,31 42,5	3,40 14,3	2,36 5,89	1,73 2,78	1,33 1,45	0,85 0,49										
180	3000	v hr 5,95 59,5		4,08 20,1	2,83 8,26	2,08 3,90	1,59 2,03	1,02 0,69	0,71 0,28										
210	3500	v hr 7,43 79,1		4,76 26,7	3,30 11,0	2,43 5,18	1,86 2,71	1,19 0,91	0,83 0,38										
240	4000	v hr 8,49 101		5,44 34,2	3,77 14,1	2,77 6,64	2,12 3,46	1,36 1,17	0,94 0,48										
300	5000	v hr 6,79 51,6		4,72 21,2	3,47 10,0	2,65 5,23	1,70 1,77	1,18 0,73											
360	6000	v hr 8,15 72,3		5,66 29,8	4,16 14,1	3,18 7,33	2,04 2,47	1,42 1,02											
420	7000	v hr 6,61 39,6		4,85 18,7	3,72 9,75	2,38 3,29	1,65 1,35	1,21 0,64											
480	8000	v hr 7,55 50,7		5,55 23,9	4,25 12,49	2,72 4,21	1,89 1,73	1,39 0,82											
540	9000	v hr 8,49 63,0		6,24 29,8	4,78 15,5	3,06 5,24	2,12 2,16	1,56 1,02	1,19 0,53										
600	10000	v hr 6,93 36,2		5,31 18,9	3,40 6,36	2,36 2,62	1,73 1,24	1,33 0,65											

hr = flow resistance for 100 m of straight pipeline (m)

V = water speed (m/s)

G-at-pct-en_b_th

FLOW RESISTANCE

TABLE OF FLOW RESISTANCE IN BENDS, VALVES AND GATES

The flow resistance is calculated using the equivalent pipeline length method according to the table below:

ACCESSORY TYPE	DN											
	25	32	40	50	65	80	100	125	150	200	250	300
	Equivalent pipeline length (m)											
45° bend	0,2	0,2	0,4	0,4	0,6	0,6	0,9	1,1	1,5	1,9	2,4	2,8
90° bend	0,4	0,6	0,9	1,1	1,3	1,5	2,1	2,6	3,0	3,9	4,7	5,8
90° smooth bend	0,4	0,4	0,4	0,6	0,9	1,1	1,3	1,7	1,9	2,8	3,4	3,9
Union tee or cross	1,1	1,3	1,7	2,1	2,6	3,2	4,3	5,3	6,4	7,5	10,7	12,8
Gate valve	-	-	-	0,2	0,2	0,2	0,4	0,4	0,6	0,9	1,1	1,3
Foot check valve	1,1	1,5	1,9	2,4	3,0	3,4	4,7	5,9	7,4	9,6	11,8	13,9
Non return valve	1,1	1,5	1,9	2,4	3,0	3,4	4,7	5,9	7,4	9,6	11,8	13,9

G-a-pcv-en_b_th

The table is valid for the Hazen Williams coefficient $C = 100$ (cast iron pipework). For steel pipework, multiply the values by 1.41. For stainless steel, copper and coated cast iron pipework, multiply the values by 1.85.

When the **equivalent pipeline length** has been determined, the flow resistance is obtained from the table of flow resistance.

The values given are guideline values which are bound to vary slightly according to the model, especially for gate valves and non-return valves, for which it is a good idea to check the values supplied by the manufacturers.

VOLUMETRIC CAPACITY

Litres per minute l/min	Cubic metres per hour m ³ /h	Cubic feet per hour ft ³ /h	Cubic feet per minute ft ³ /min	Imperial gallon per minute Imp. gal/min	U.S. gallon per minute US gal/min
1,000	0,0600	2,1189	0,0353	0,2200	0,2642
16,6667	1,0000	35,3147	0,5886	3,6662	4,4029
0,4719	0,0283	1,0000	0,0167	0,1038	0,1247
28,3168	1,6990	60,0000	1,0000	6,2288	7,4805
4,5461	0,2728	9,6326	0,1605	1,0000	1,2009
3,7854	0,2271	8,0208	0,1337	0,8327	1,0000

PRESSURE AND HEAD

Newton per square metre N/m ²	kilo Pascal kPa	bar bar	Pound force per square inch psi	Metre of water m H ₂ O	Millimetre of mercury mm Hg
1,0000	0,0010	1 x 10 ⁻⁵	1,45 x 10 ⁻⁴	1,02 x 10 ⁻⁴	0,0075
1 000,0000	1,0000	0,0100	0,1450	0,1020	7,5006
1 x 10 ⁵	100,0000	1,0000	14,5038	10,1972	750,0638
6 894,7570	6,8948	0,0689	1,0000	0,7031	51,7151
9 806,6500	9,8067	0,0981	1,4223	1,0000	73,5561
133,3220	0,1333	0,0013	0,0193	0,0136	1,0000

LENGTH

Millimetre mm	Centimetre cm	Metre m	Inch in	Foot ft	Yard yd
1,0000	0,1000	0,0010	0,0394	0,0033	0,0011
10,0000	1,0000	0,0100	0,3937	0,0328	0,0109
1 000,0000	100,0000	1,0000	39,3701	3,2808	1,0936
25,4000	2,5400	0,0254	1,0000	0,0833	0,0278
304,8000	30,4800	0,3048	12,0000	1,0000	0,3333
914,4000	91,4400	0,9144	36,0000	3,0000	1,0000

VOLUME

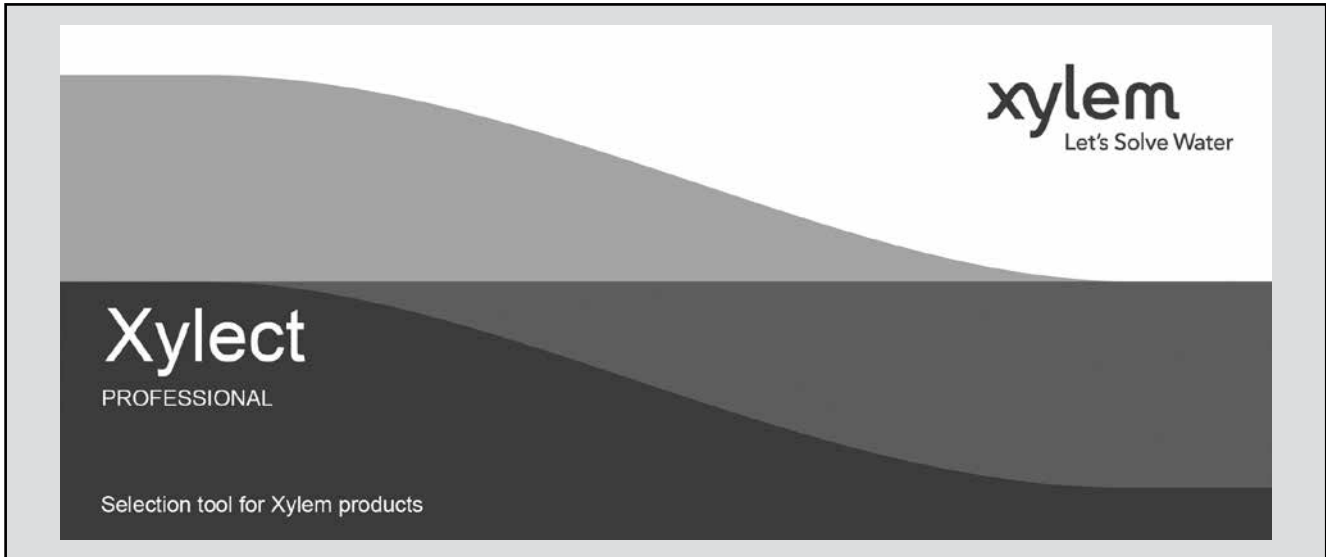
Cubic metre m ³	Litre L	Millilitre ml	Imperial gallon imp. gal.	U.S. gallon US gal.	Cubic foot ft ³
1,0000	1 000,0000	1 x 10 ⁶	219,9694	264,1720	35,3147
0,0010	1,0000	1 000,0000	0,2200	0,2642	0,0353
1 x 10 ⁻⁶	0,0010	1,0000	2,2 x 10 ⁻⁴	2,642 x 10 ⁻⁴	3,53 x 10 ⁻⁵
0,0045	4,5461	4 546,0870	1,0000	1,2009	0,1605
0,0038	3,7854	3 785,4120	0,8327	1,0000	0,1337
0,0283	28,3168	28 316,8466	6,2288	7,4805	1,0000

TEMPERATURE

Water	Kelvin K	Celsius °C	Fahrenheit °F	$^{\circ}\text{F} = ^{\circ}\text{C} \times \frac{9}{5} + 32$ $^{\circ}\text{C} = (^{\circ}\text{F} - 32) \times \frac{5}{9}$
icing	273,1500	0,0000	32,0000	
boiling	373,1500	100,0000	212,0000	

G-at_pp-en_b_sc

**FURTHER PRODUCT SELECTION
AND DOCUMENTATION**
Xylect



Xylect is pump solution selection software with an extensive online database of product information across the entire Lowara range of pumps and related products, with multiple search options and helpful project management facilities. The system holds up-to-date product information on thousands of products and accessories.

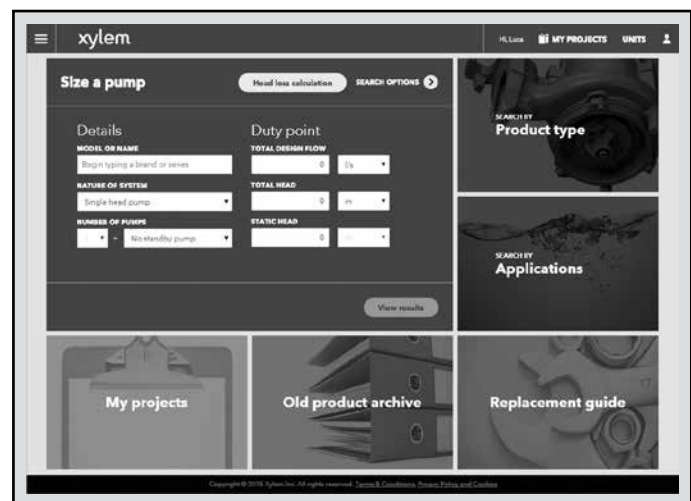
The possibility to search by applications and the detailed information output given makes it easy to make the optimal selection without having detailed knowledge about the Lowara products.

The search can be made by:

- Application
- Product type
- Duty point

Xylect gives a detailed output:

- List with search results
- Performance curves (flow, head, power, efficiency, NPSH)
- Motor data
- Dimensional drawings
- Options
- Data sheet printouts
- Document downloads incl dxf files



The search by application guides users not familiar with the product range to the right choice.

FURTHER PRODUCT SELECTION AND DOCUMENTATION

Xylect



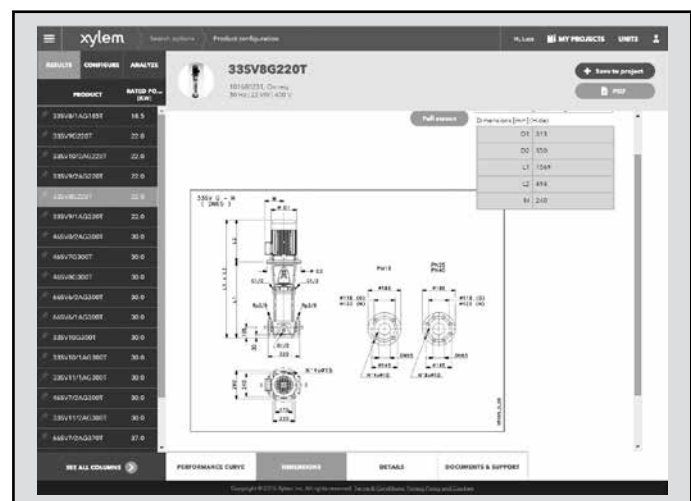
The detailed output makes it easy to select the optimal pump from the given alternatives.

The best way to work with Xylect is to create a personal account. This makes it possible to:

- Set own standard units
- Create and save projects
- Share projects with other Xylect users

Every registered user has a proper space, where all projects are saved.

For more information about Xylect please contact our sales network or visit www.xylect.com.



Dimensional drawings appear on the screen and can be downloaded in dxf format.

Xylem |'zīləm|

- 1) The tissue in plants that brings water upward from the roots;
- 2) a leading global water technology company.

We're a global team unified in a common purpose: creating advanced technology solutions to the world's water challenges. Developing new technologies that will improve the way water is used, conserved, and re-used in the future is central to our work. Our products and services move, treat, analyze, monitor and return water to the environment, in public utility, industrial, residential and commercial building services settings. Xylem also provides a leading portfolio of smart metering, network technologies and advanced analytics solutions for water, electric and gas utilities. In more than 150 countries, we have strong, long-standing relationships with customers who know us for our powerful combination of leading product brands and applications expertise with a strong focus on developing comprehensive, sustainable solutions.

For more information on how Xylem can help you, go to www.xylem.com.



For information and technical support
Xylem Service Italia Srl

Via Dottor Vittorio Lombardi 14
36075 - Montecchio Maggiore (VI) - Italy
Tel. (+39) 0444 707111
Fax (+39) 0444 491043
www.lowara.com

Xylem Service Italia Srl reserves the right to make modification without prior notice.
Lowara, Xylem are trademarks of Xylem Inc. or one of its subsidiaries
© 2019 Xylem, Inc.