

HAKU shut-off saddle

For PE and PVC pipes



Design features

- For **PE pipes** according to EN 12201 and DIN 8074 and **PVC pipes** according to EN ISO 1452-2
- For under pressure drilling
- Can be pressure tested from both directions
- The HAKU seal is in full contact with the entire diameter of the PE or PVC pipe and is glued into the saddle for ease of assembly
- In addition several concentric seals with increasing diameter surround the outlet thus relieving the pressure upon the drill hole and protecting it from deformation
- For PE pipes with protective layer, this must be removed prior to mounting the saddle

No. 5310



Material | Technical features

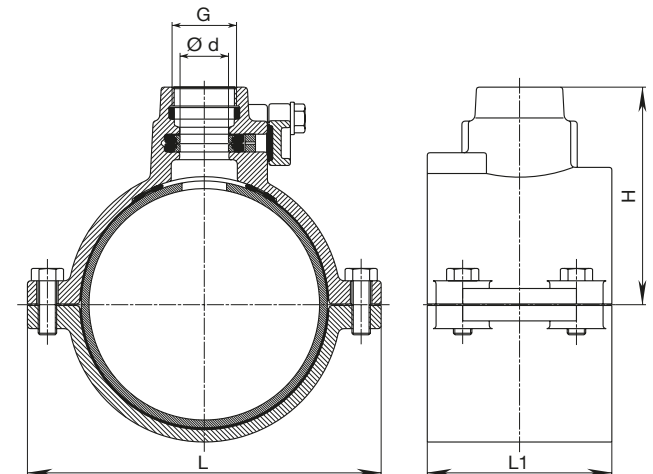
- Saddle body** made of ductile iron, epoxy powder coated
 - Seal** made of elastomer
 - Bolts** (Molybdenum-coated) and **washers** made of stainless steel
 - Seal cover** made of POM, with rubber seal, glass fiber reinforced
 - Bolts** and **washers** made of stainless steel
 - Corrosion protection ring** made of elastomer
- Drilling instructions (see page I 3/1)

Ø Pipe	MOP (PN)	Internal thread outlet ISO 228				
		¾"	1"	1¼"	1½"	2"
63	16					
75						
90						
110						
160						
225						

No. 5210 Combined assembly: HAKU saddle No. 5250 with shut-off adapter No. 3720

125	16					
140						
200						
225						
250						

Ø Pipe	G ISO 228	Ø d	H	L	L1	Weight
63	¾"	24	84	124	100	2,5
	1"	28	84			2,5
	1¼"	32	87			2,4
75	1"	28	91	135	110	2,8
	1¼"	32	94			2,6
	1½"	43	91			3,3
	2"	43	95			3,0
90	1"	28	100	150	110	3,0
	1¼"	32	103			2,5
	1½"	43	101			3,6
	2"	43	105			3,4
110	1"	28	110	170	120	3,6
	1¼"	32	113			3,6
	1½"	43	113			4,3
	2"	43	117			4,0
160	1"	28	138	230	120	5,5
	1¼"	32	141			5,4
	1½"	43	140			5,6
	2"	43	145			5,6
225	2"	43	185	310	120	7,5



125	1"	27	167	192	120	4,8
	1¼"	31	170			5,5
	1½"	37	180			5,8
	2"	42	183			5,8
140	1"	27	174	208	120	5,4
	1¼"	31	177			5,9
	1½"	37	188			6,2
	2"	42	191			6,2
200	1"	27	212	282	120	7,0
225	1"	27	219	310	120	10,5
	1¼"	31	222			11,0
	1½"	37	232			11,3
250	2"	50	248	347	180	14,2

Application examples

