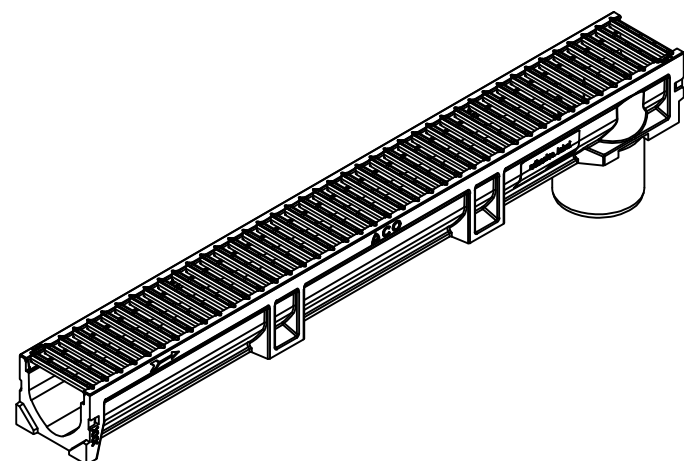
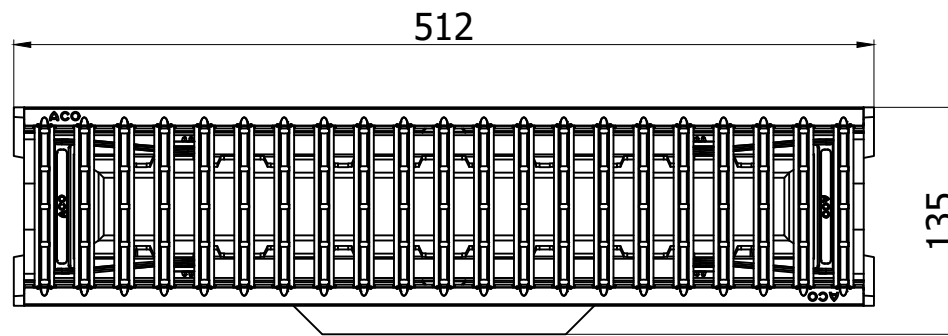
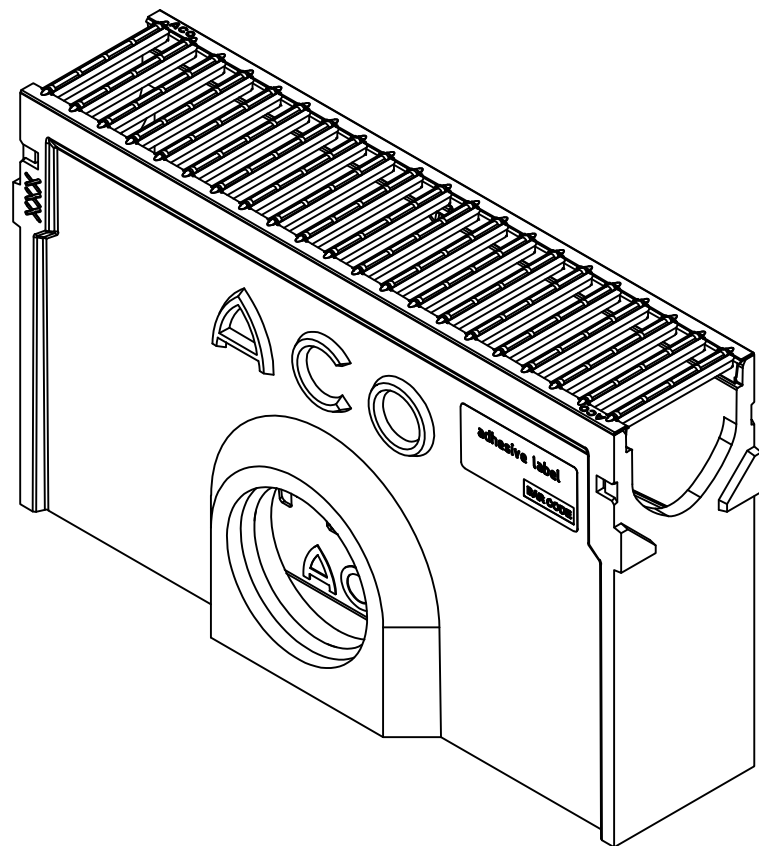
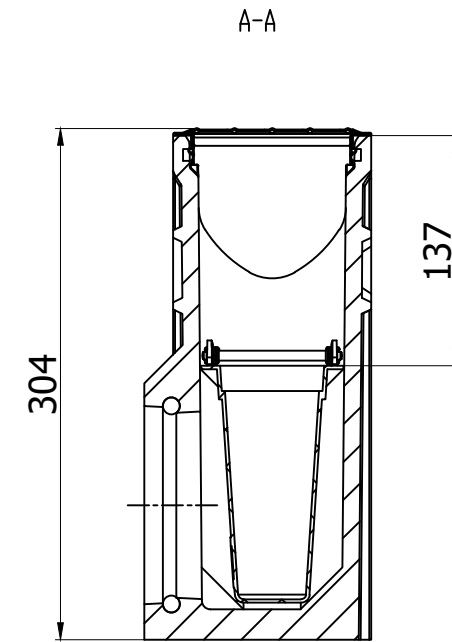
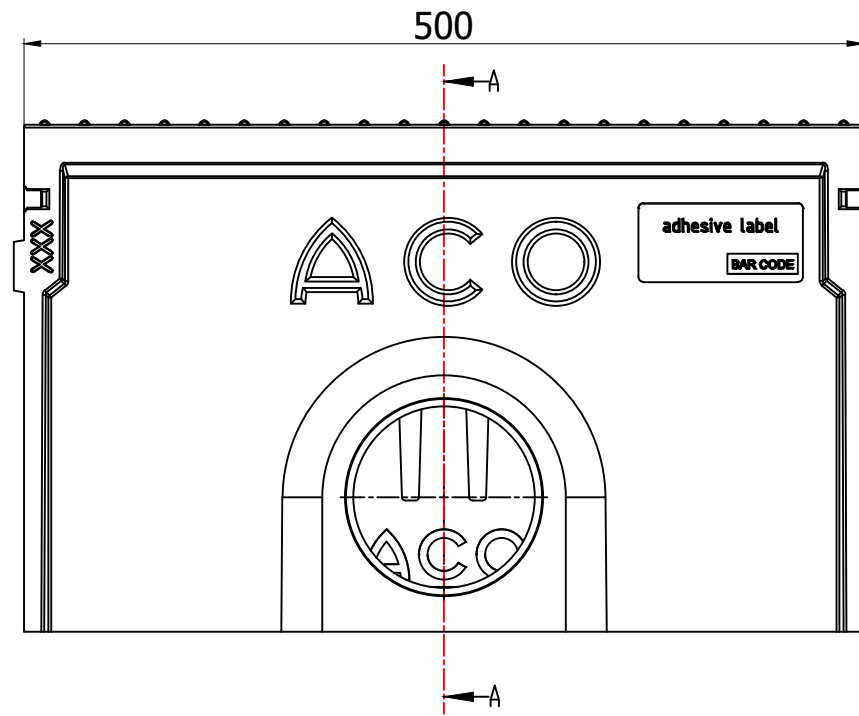
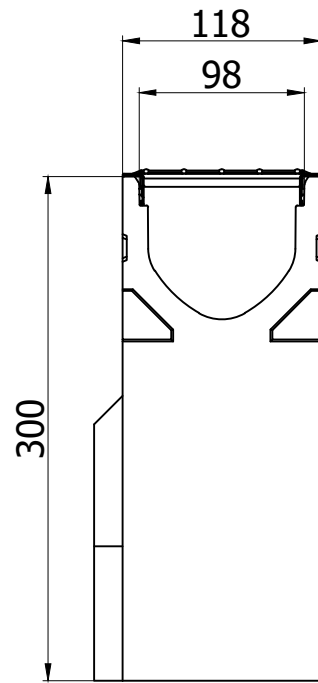


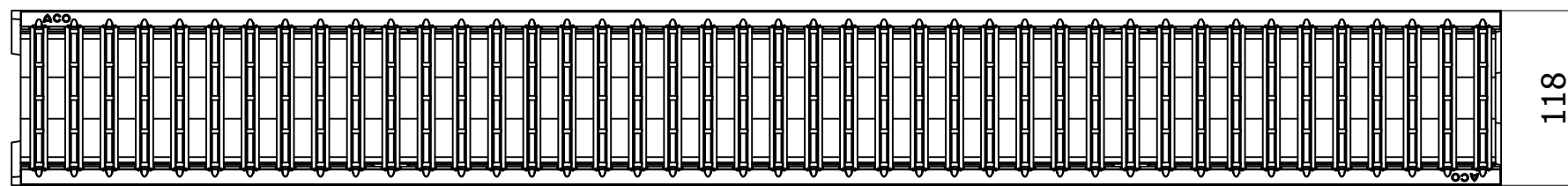
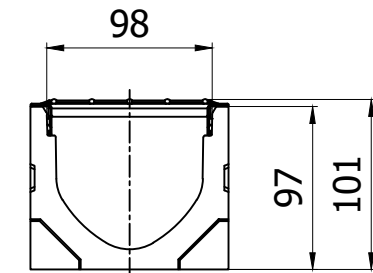
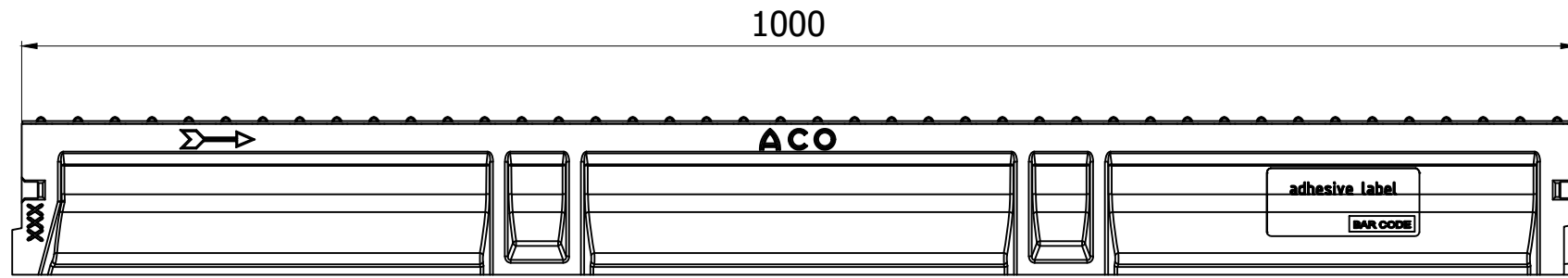
SCALE 1 : 2



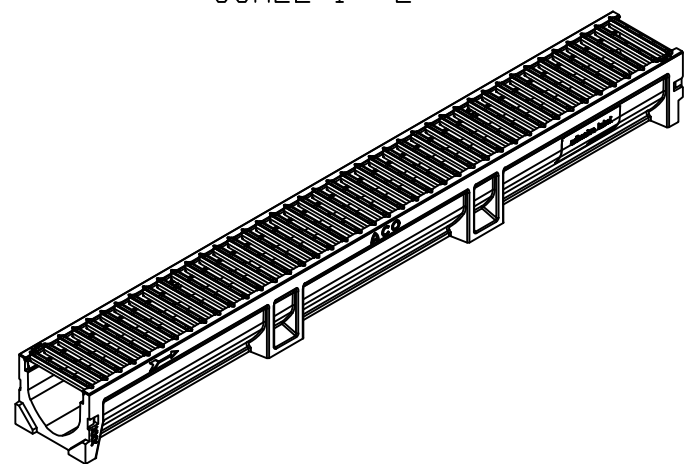
	Name	Date	 ACO Passavant NV/SA Preenakker 6 B - 1785 Merchtem Tel.: 052/38.17.70 Fax.: 052/38.17.71 info@aco.be www.aco.be
By	KV	28/09/2023	
Dimensions		mm	ACO House & Garden, Euroline 100 Antraciet met uitloop $\phi 110$ mm Euroline 100 Anthracite avec sortie incorporée $\phi 110$
Drawing		409973	
<i>Technische veranderingen voorbehouden - Sous réserve de changements techniques</i>			
Projection ISO-E	The reproduction, distribution and utilization of this document as well as the communication of its contents to others without express authorization is prohibited. Offenders will be held liable for the payment of damages. All rights reserved in the event of the grant of a patent, utility model or design. Observe copyright by ISO 16016		




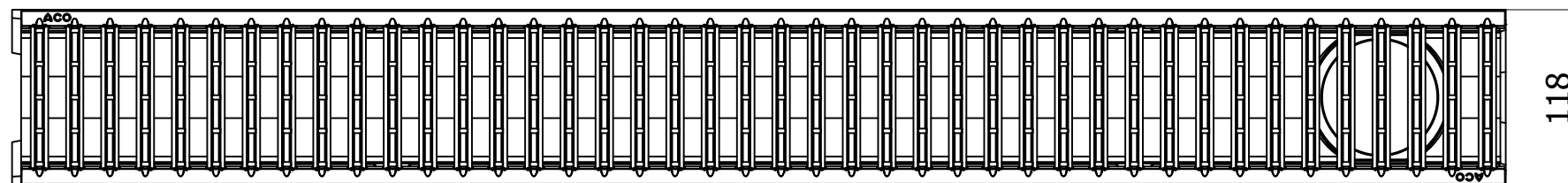
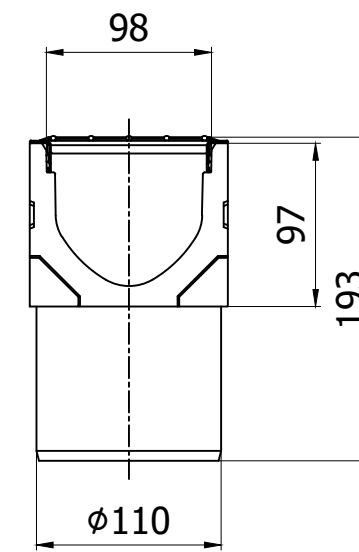
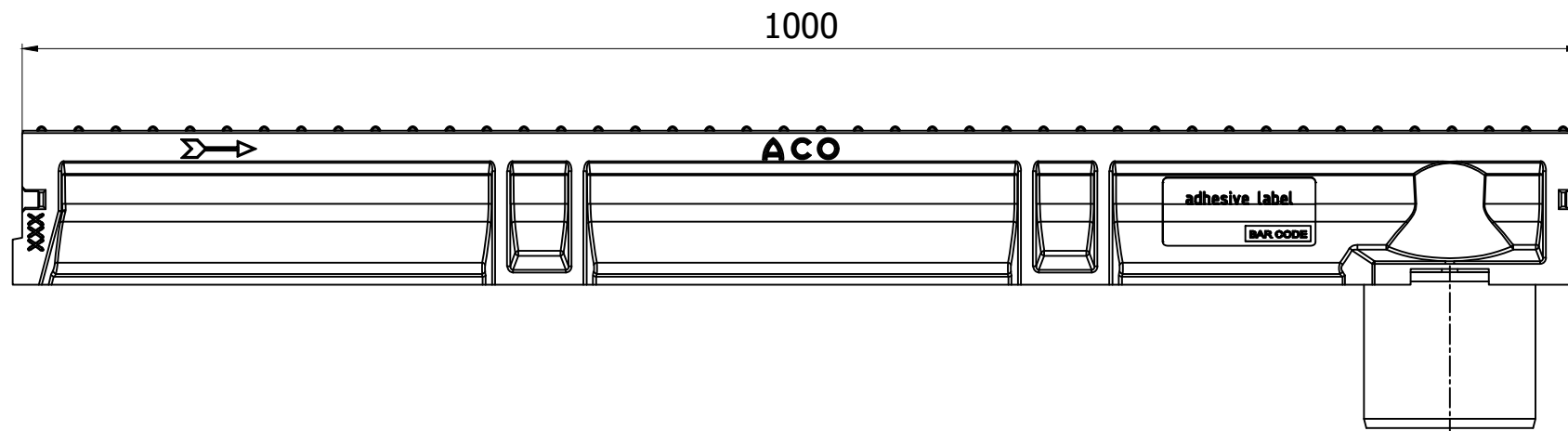
	Name	Date	 ACO Passavant NV/SA Preenakker 6 B - 1785 Merchtem Tel.: 052/38.17.70 Fax.: 052/38.17.71 info@aco.be www.aco.be
By	KV	28/09/2023	
	Dimensions	mm	ACO House & Garden, Euroline 100 Antraciet - zandvanger - 500mm - A 15 kN Anthracite - désableur - 500mm - A 15 kN
Drawing	409975		
<i>Technische veranderingen voorbehouden - Sous réserve de changements techniques</i>			
Projection ISO-E	The reproduction, distribution and utilization of this document as well as the communication of its contents to others without express authorization is prohibited. Offenders will be held liable for the payment of damages. All rights reserved in the event of the grant of a patent, utility model or design. Observe copyright by ISO 16016		



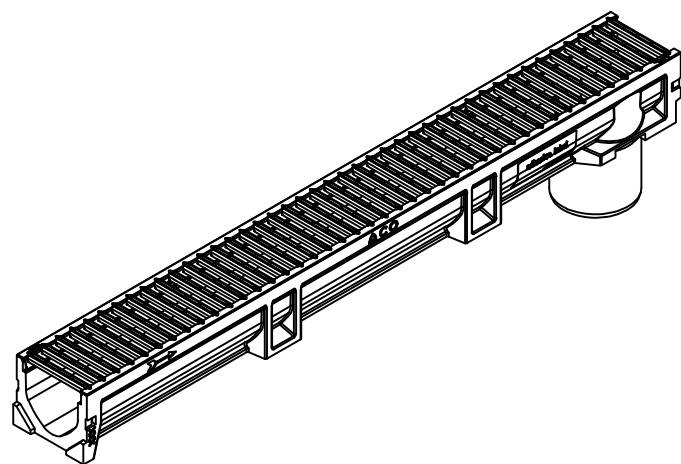
SCALE 1 : 2



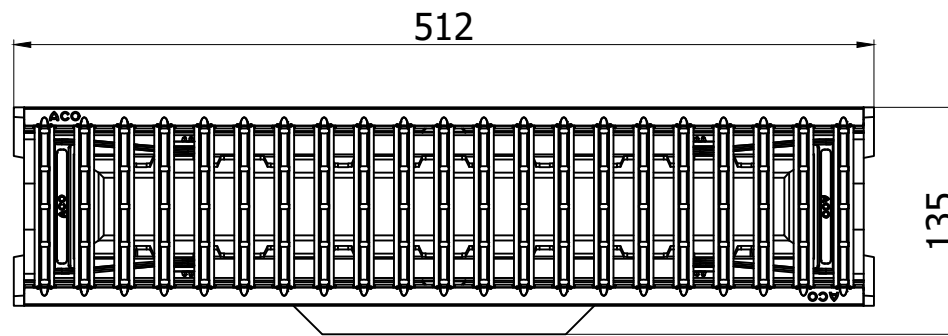
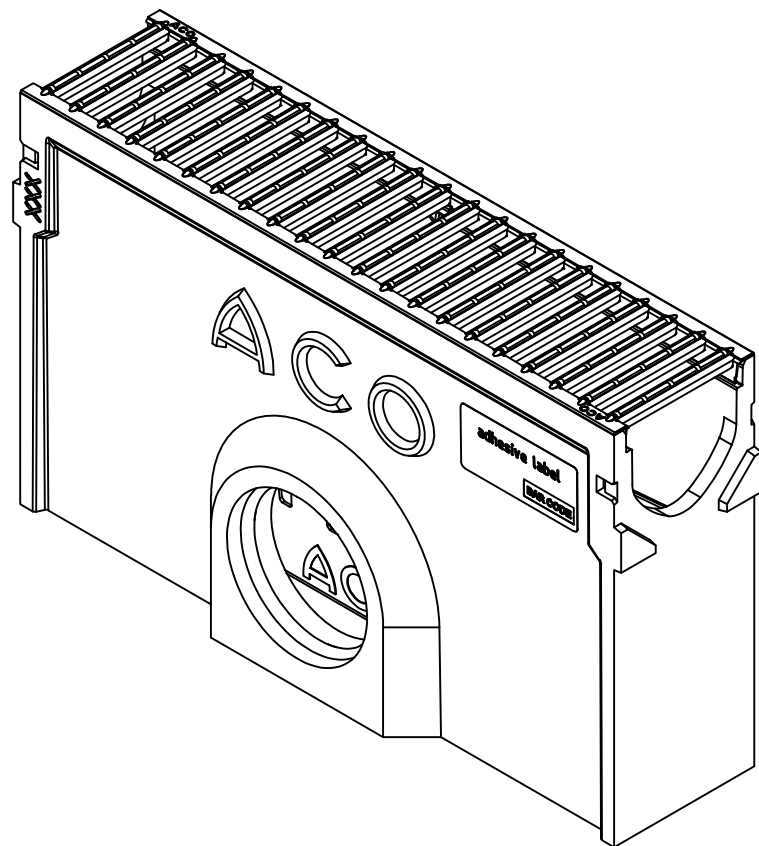
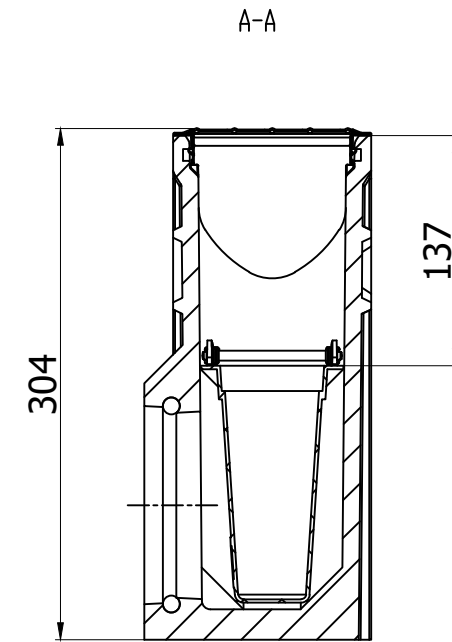
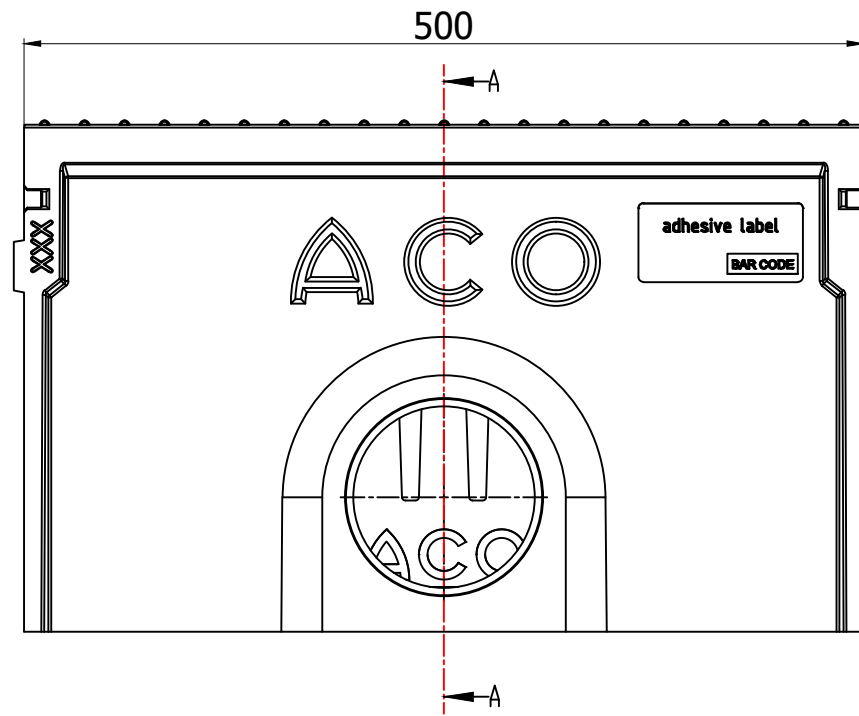
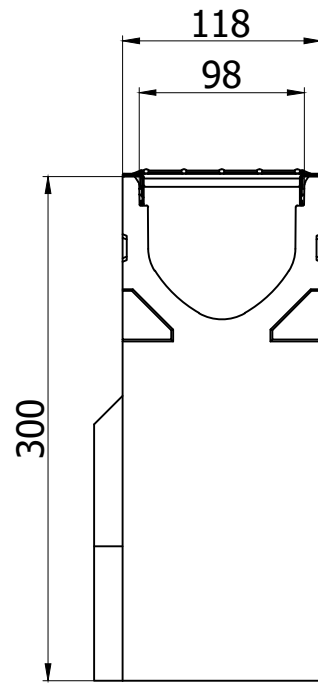
	Name	Date	 ACO Passavant NV/SA Preenakker 6 B - 1785 Merchtem Tel.: 052/38.17.70 Fax.: 052/38.17.71 info@aco.be www.aco.be
By	KV	28/09/2023	
Dimensions		mm	ACO House & Garden, Euroline 100 Antraciet - 1000mm - A 15 kN Euroline 100 Anthracite - 1000 mm - A 15 kN
Drawing		409972	
<i>Technische veranderingen voorbehouden - Sous réserve de changements techniques</i>			
Projection ISO-E	The reproduction, distribution and utilization of this document as well as the communication of its contents to others without express authorization is prohibited. Offenders will be held liable for the payment of damages. All rights reserved in the event of the grant of a patent, utility model or design. Observe copyright by ISO 16016		



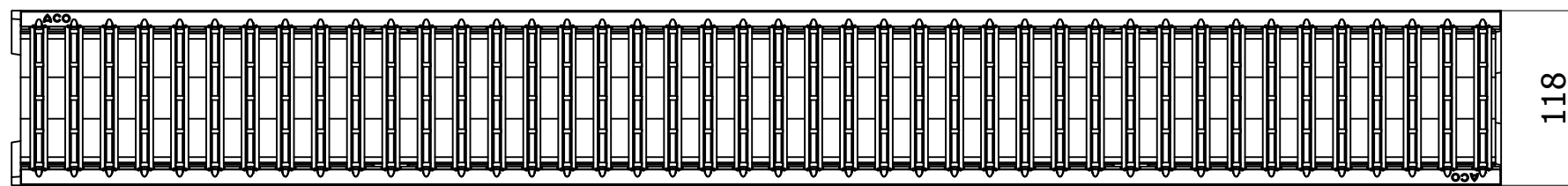
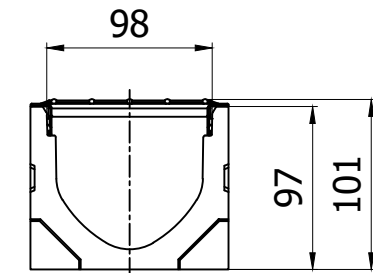
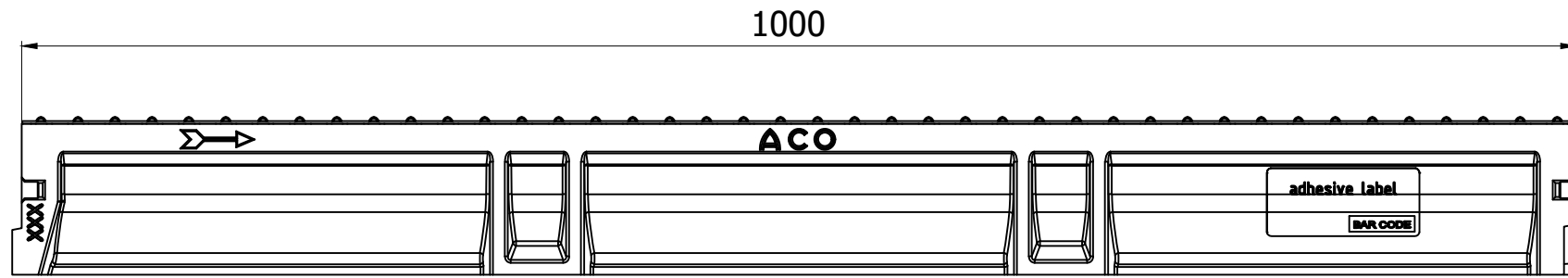
SCALE 1 : 2



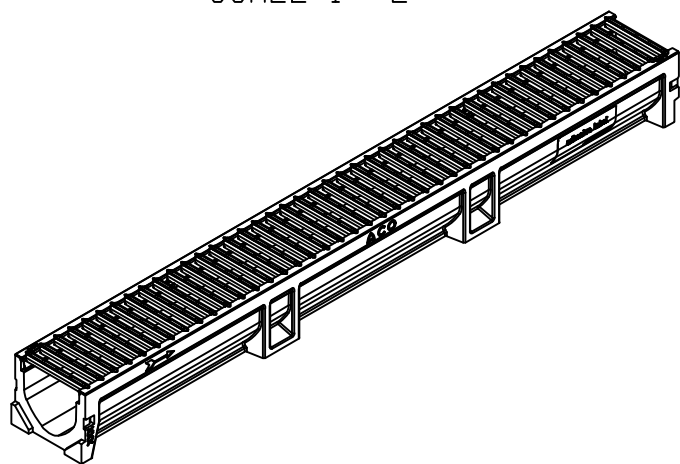
	Name	Date	 ACO Passavant NV/SA Preenakker 6 B - 1785 Merchtem Tel.: 052/38.17.70 Fax.: 052/38.17.71 info@aco.be www.aco.be
By	KV	28/09/2023	
Dimensions		mm	ACO House & Garden, Euroline 100 Galva met uitloop $\phi 110$ mm Euroline 100 Galva avec sortie incorporée $\phi 110$ mm
Drawing			
3003695			
<i>Technische veranderingen voorbehouden - Sous réserve de changements techniques</i>			
Projection ISO-E	The reproduction, distribution and utilization of this document as well as the communication of its contents to others without express authorization is prohibited. Offenders will be held liable for the payment of damages. All rights reserved in the event of a patent, utility model or design. Observe copyright by ISO 16016		




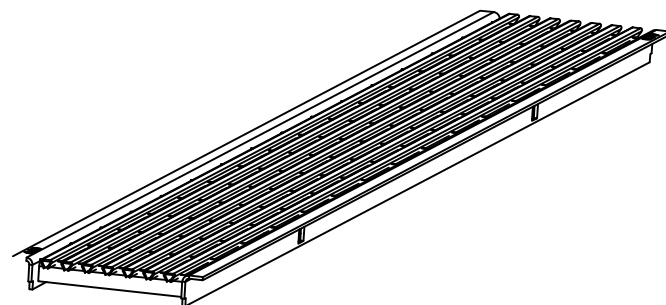
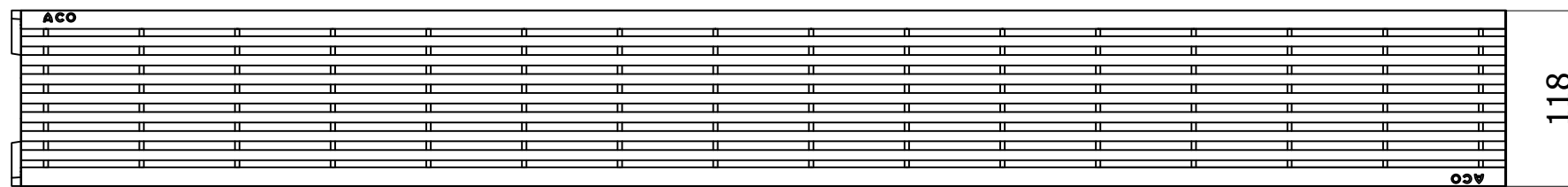
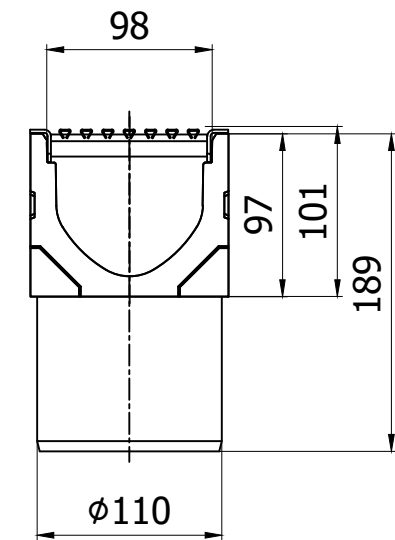
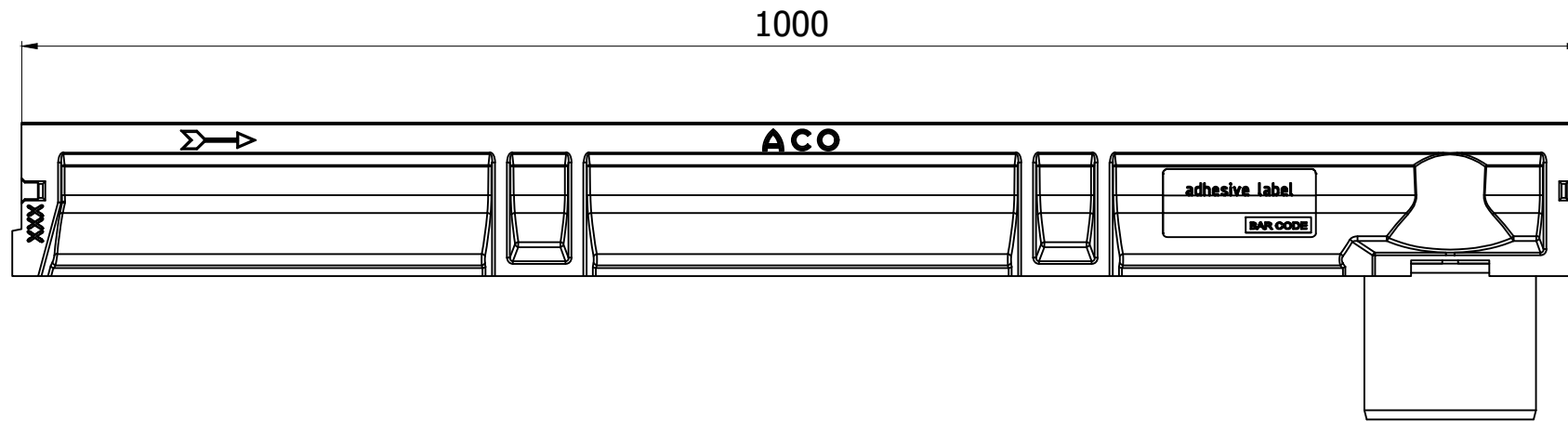
	Name	Date	 ACO Passavant NV/SA Preenakker 6 B - 1785 Merchtem Tel.: 052/38.17.70 Fax.: 052/38.17.71 info@aco.be www.aco.be
By	KV	28/09/2023	
Dimensions		mm	ACO House & Garden, Euroline 100 Galva zandvanger - 500mm - A 15 kN désableur - 500mm - A 15 kN
Drawing			
3003696			
<i>Technische veranderingen voorbehouden - Sous réserve de changements techniques</i>			
Projection ISO-E	The reproduction, distribution and utilization of this document as well as the communication of its contents to others without express authorization is prohibited. Offenders will be held liable for the payment of damages. All rights reserved in the event of the grant of a patent, utility model or design. Observe copyright by ISO 16016		



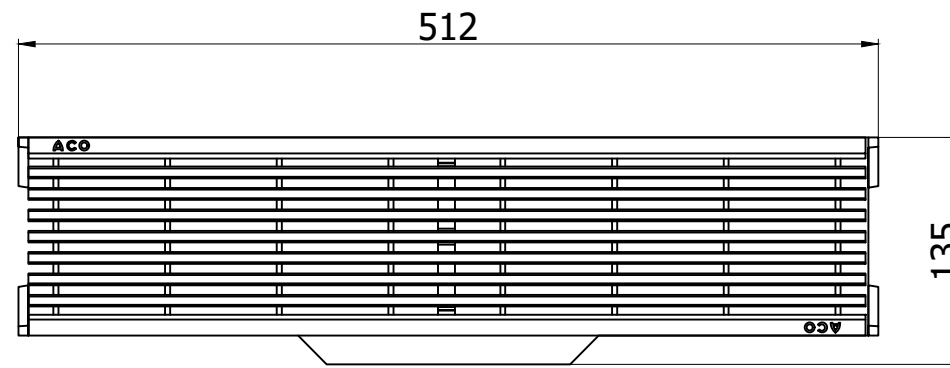
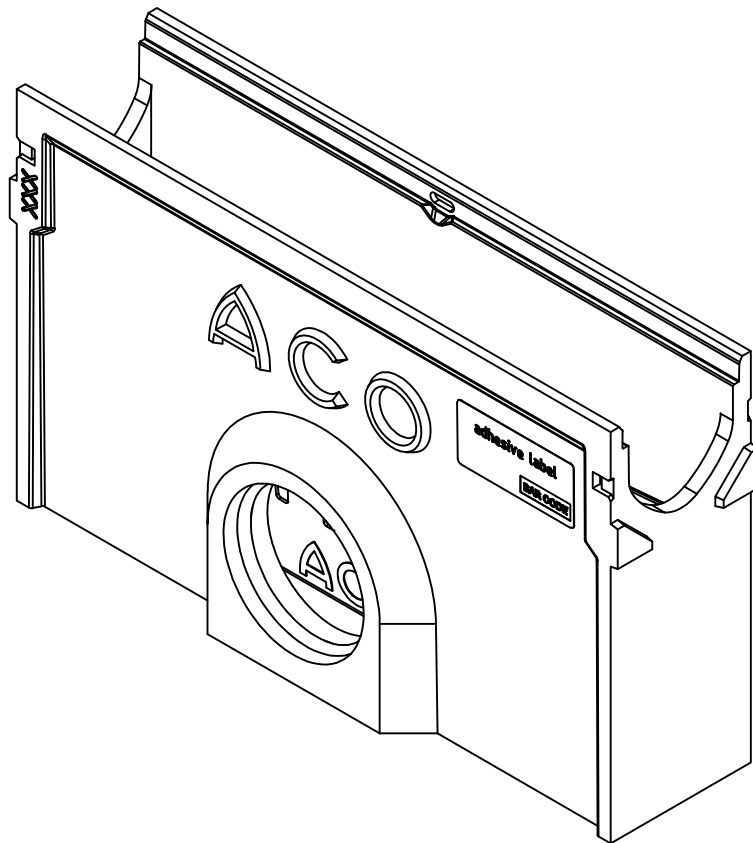
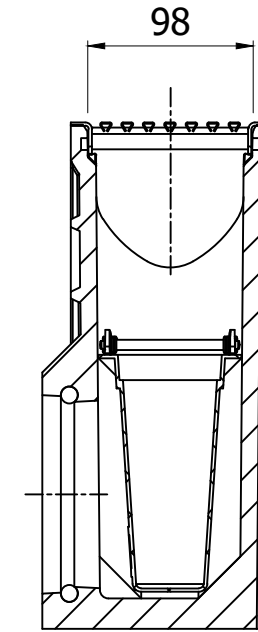
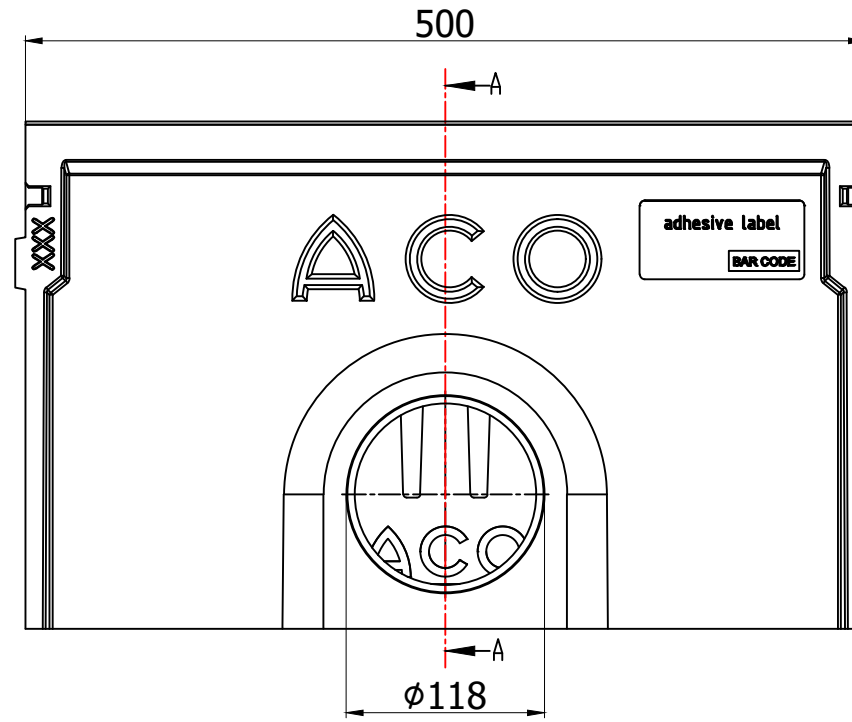
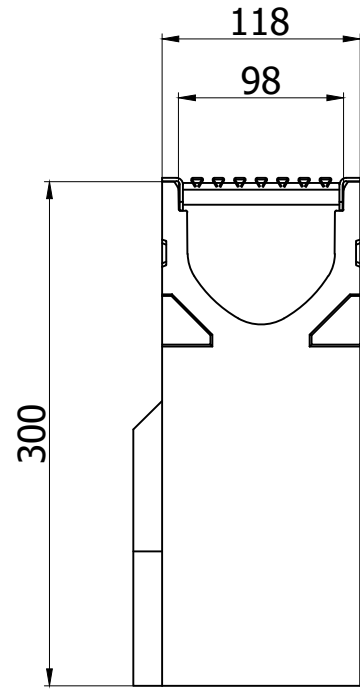
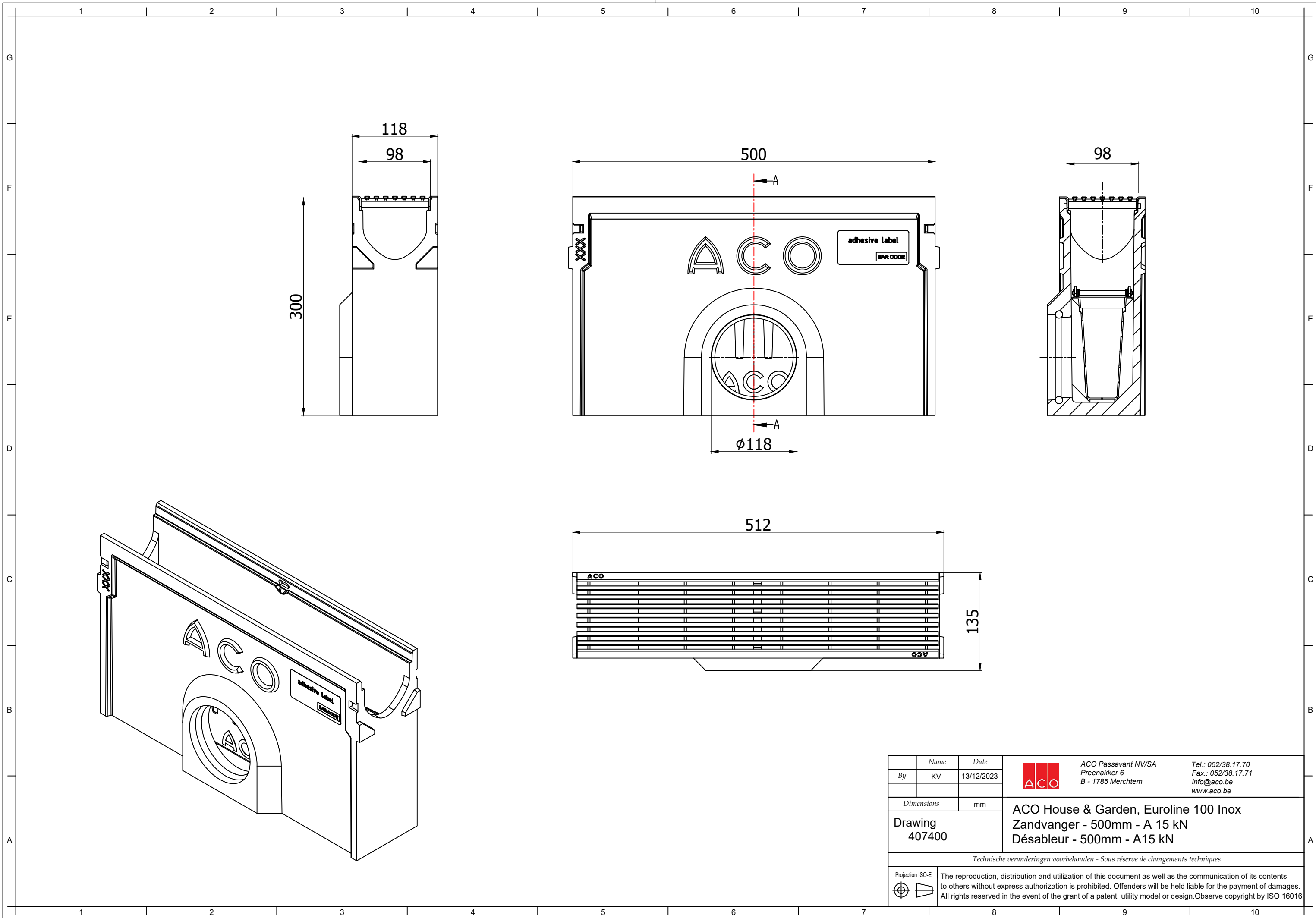
SCALE 1 : 2



	Name	Date	 ACO Passavant NV/SA Preenakker 6 B - 1785 Merchtem Tel.: 052/38.17.70 Fax.: 052/38.17.71 info@aco.be www.aco.be
By	KV	28/09/2023	
Dimensions		mm	ACO House & Garden, Euroline 100 Galva - 1000mm - A 15 kN
Drawing		3003693	
<i>Technische veranderingen voorbehouden - Sous réserve de changements techniques</i>			
Projection ISO-E	The reproduction, distribution and utilization of this document as well as the communication of its contents to others without express authorization is prohibited. Offenders will be held liable for the payment of damages. All rights reserved in the event of the grant of a patent, utility model or design. Observe copyright by ISO 16016		

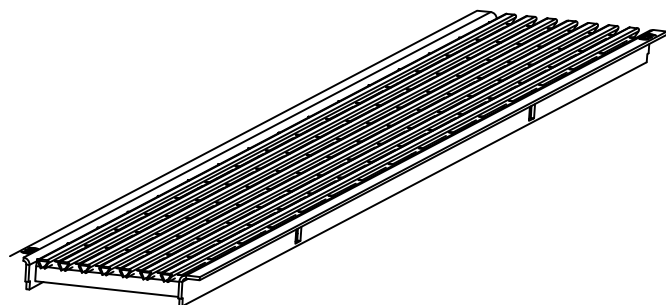
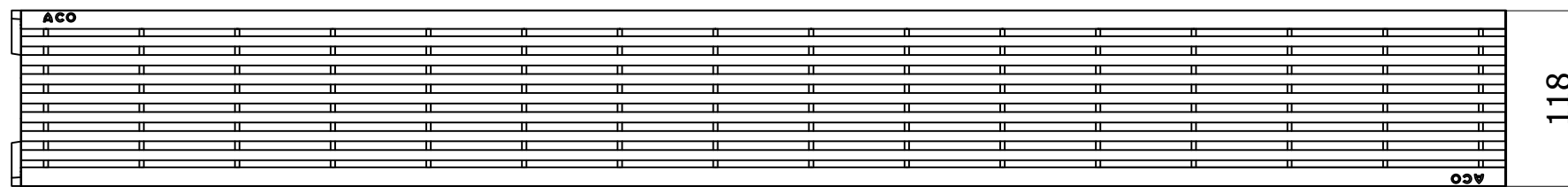
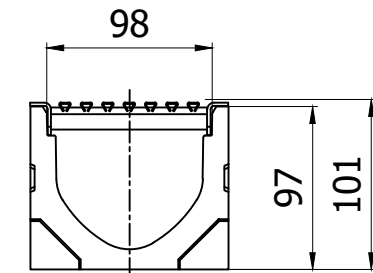
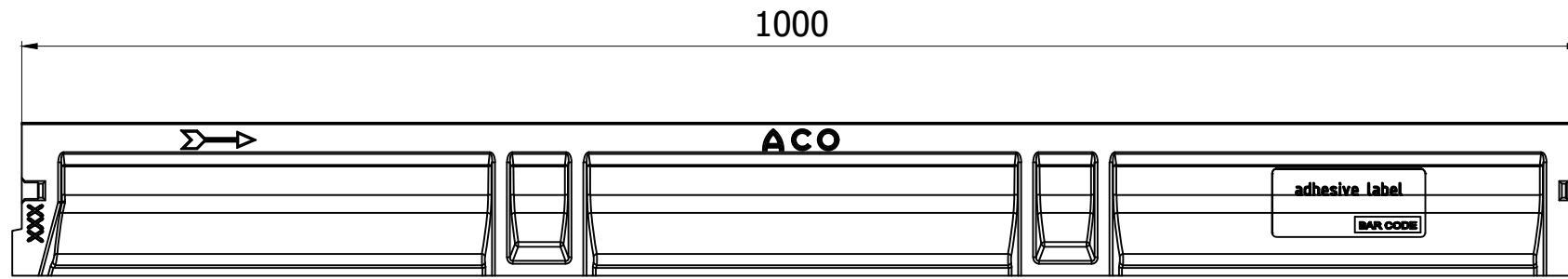


	Name	Date	 ACO Passavant NV/SA Preenakker 6 B - 1785 Merchtem Tel.: 052/38.17.70 Fax.: 052/38.17.71 info@aco.be www.aco.be
By	KV	13/12/2023	
Dimensions		mm	ACO House & Garden, Euroline 100 Inox - 1000mm Met uitloop $\phi 110$ mm - A 15 kN avec sortie incorporée $\phi 110$ mm - A 15 kN
Drawing			
407396			
<i>Technische veranderingen voorbehouden - Sous réserve de changements techniques</i>			
Projection ISO-E	The reproduction, distribution and utilization of this document as well as the communication of its contents to others without express authorization is prohibited. Offenders will be held liable for the payment of damages. All rights reserved in the event of the grant of a patent, utility model or design. Observe copyright by ISO 16016		



	Name	Date	 ACO Passavant NV/SA Preenakker 6 B - 1785 Merchtem Tel.: 052/38.17.70 Fax.: 052/38.17.71 info@aco.be www.aco.be
By	KV	13/12/2023	
Dimensions		mm	ACO House & Garden, Euroline 100 Inox Zandvanger - 500mm - A 15 kN Désableur - 500mm - A15 kN
Drawing		407400	
<i>Technische veranderingen voorbehouden - Sous réserve de changements techniques</i>			
Projection ISO-E	The reproduction, distribution and utilization of this document as well as the communication of its contents to others without express authorization is prohibited. Offenders will be held liable for the payment of damages. All rights reserved in the event of a patent, utility model or design. Observe copyright by ISO 16016		





	Name	Date	 ACO Passavant NV/SA Preenakker 6 B - 1785 Merchtem Tel.: 052/38.17.70 Fax.: 052/38.17.71 info@aco.be www.aco.be
By	KV	13/12/2023	
Dimensions		mm	ACO House & Garden, Euroline 100 Inox - 1000mm - A 15 kN
Drawing		407397	
<i>Technische veranderingen voorbehouden - Sous réserve de changements techniques</i>			
Projection ISO-E	The reproduction, distribution and utilization of this document as well as the communication of its contents to others without express authorization is prohibited. Offenders will be held liable for the payment of damages. All rights reserved in the event of the grant of a patent, utility model or design. Observe copyright by ISO 16016		