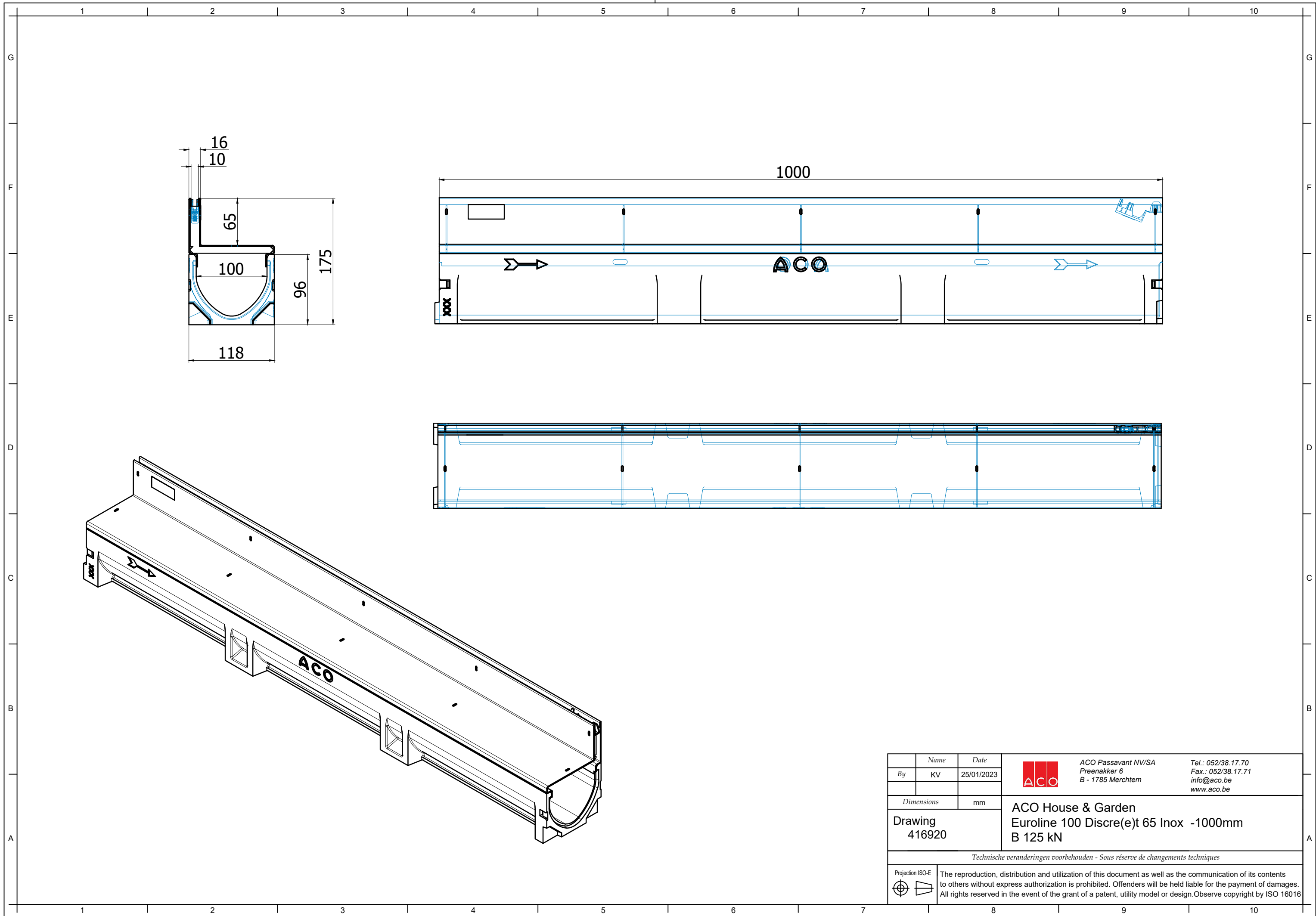

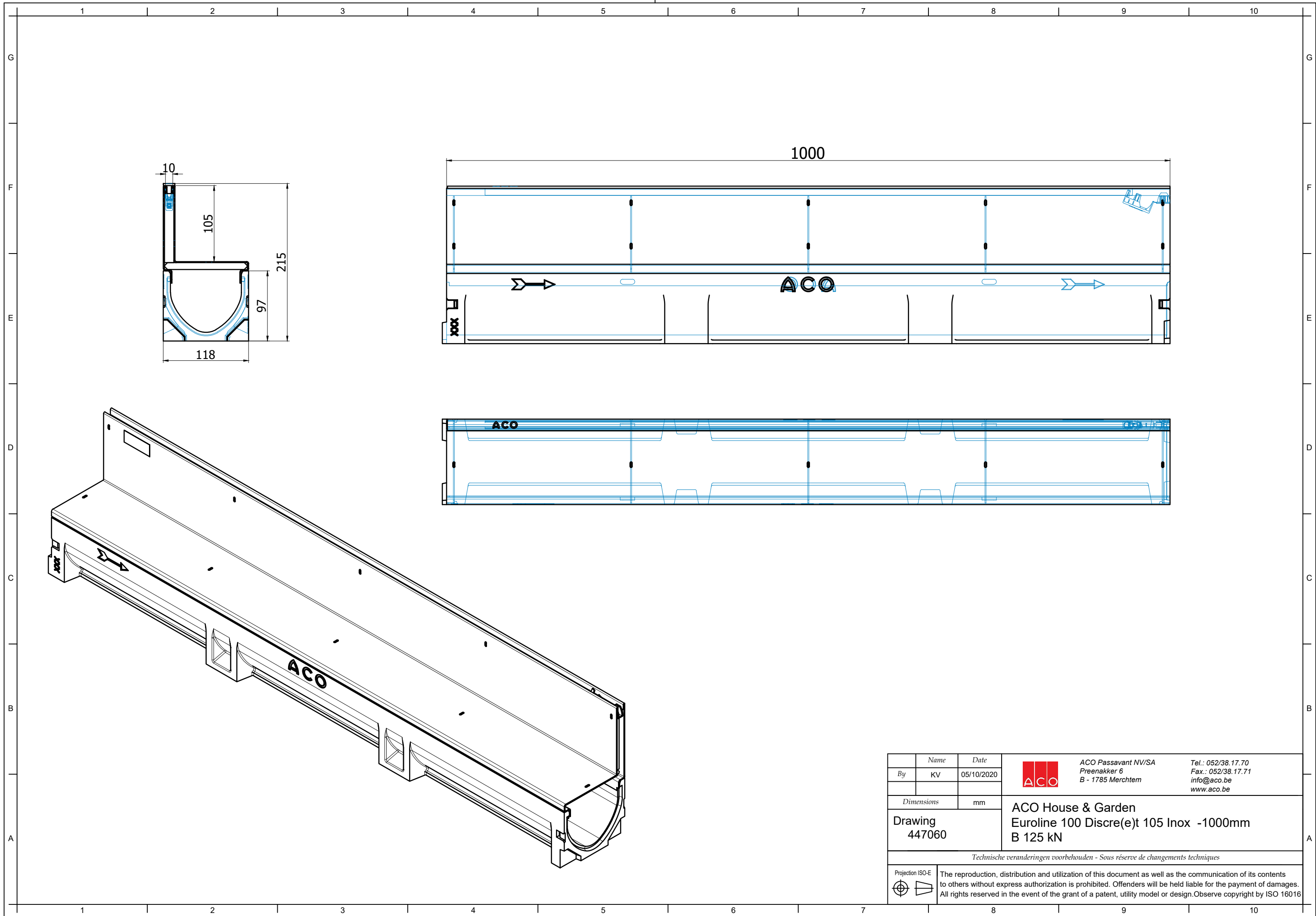



N.B.: - sleufelement en toegangselement zijn 2 aparte onderdelen die van plaats gewisseld kunnen worden
- l'élément à fente et l'élément d'accès sont 2 pièces séparées interchangeables

	Name	Date	 ACO Passavant NV/SA Preenakker 6 B - 1785 Merchtem	Tel.: 052/38.17.70 Fax.: 052/38.17.71 info@aco.be www.aco.be
By	KV	25/01/2023		
Dimensions		mm	ACO House & Garden Euroline 100 Discre(e)t 65 Inox -1000mm B 125 kN	
Drawing				
416921				
<i>Technische veranderingen voorbehouden - Sous réserve de changements techniques</i>				
Projection ISO-E	The reproduction, distribution and utilization of this document as well as the communication of its contents to others without express authorization is prohibited. Offenders will be held liable for the payment of damages. All rights reserved in the event of the grant of a patent, utility model or design. Observe copyright by ISO 16016			



	Name	Date	 ACO Passavant NV/SA Preenakker 6 B - 1785 Merchtem	Tel.: 052/38.17.70 Fax.: 052/38.17.71 info@aco.be www.aco.be
By	KV	25/01/2023		
Dimensions		mm	ACO House & Garden Euroline 100 Discre(e)t 65 Inox -1000mm B 125 kN	
Drawing				
416920				
<i>Technische veranderingen voorbehouden - Sous réserve de changements techniques</i>				
Projection ISO-E	The reproduction, distribution and utilization of this document as well as the communication of its contents to others without express authorization is prohibited. Offenders will be held liable for the payment of damages. All rights reserved in the event of the grant of a patent, utility model or design. Observe copyright by ISO 16016			



	Name	Date	 ACO Passavant NV/SA Preenakker 6 B - 1785 Merchtem	Tel.: 052/38.17.70 Fax.: 052/38.17.71 info@aco.be www.aco.be
By	KV	05/10/2020		
Dimensions		mm	ACO House & Garden Euroline 100 Discre(e)t 105 Inox -1000mm B 125 kN	
Drawing				
447060				
<i>Technische veranderingen voorbehouden - Sous réserve de changements techniques</i>				
Projection ISO-E	The reproduction, distribution and utilization of this document as well as the communication of its contents to others without express authorization is prohibited. Offenders will be held liable for the payment of damages. All rights reserved in the event of the grant of a patent, utility model or design. Observe copyright by ISO 16016			