

local article number: 152210

ACO PowerDrain V 150 G Seal in Rinne

Typ 10, mit Eigengefulle, L= 1,0 m, Kontenschutz Guss Eisen

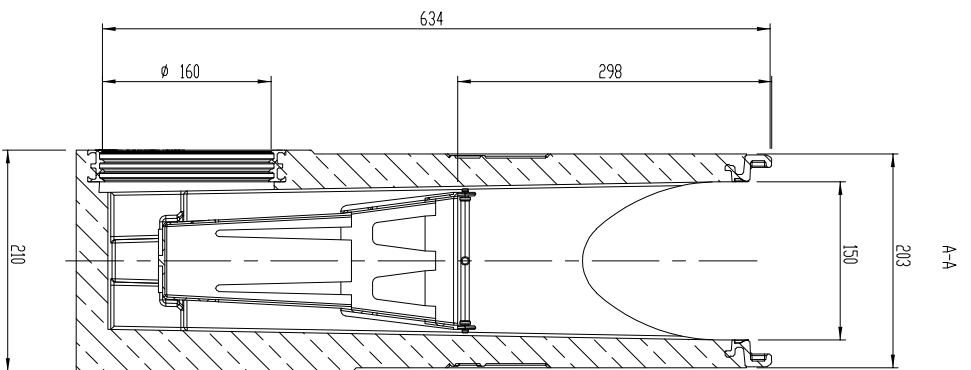
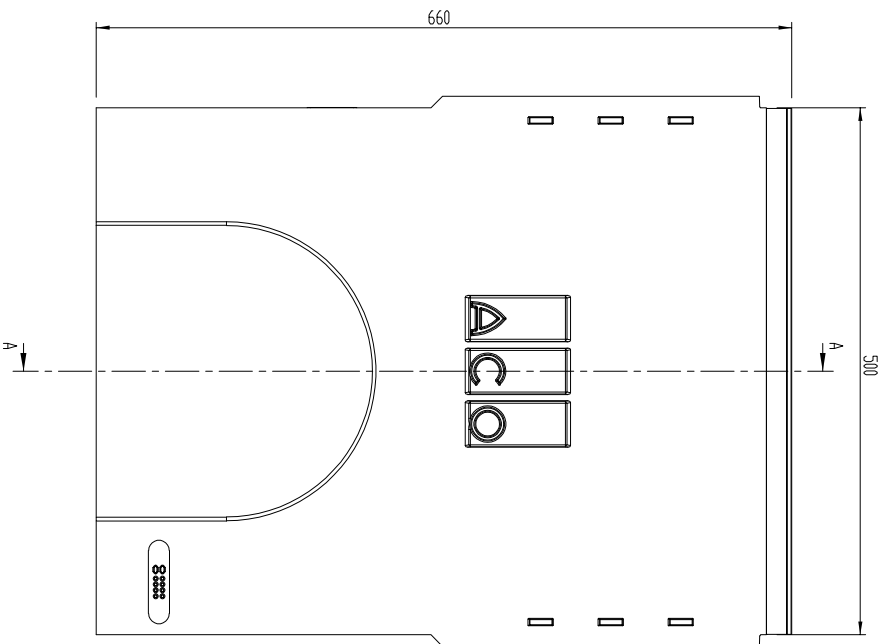
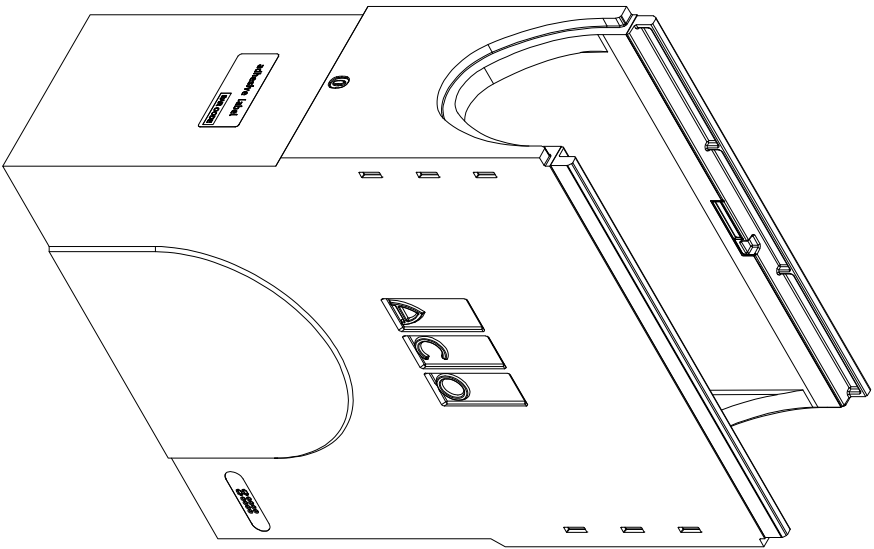
Art.-Nr. 152210

The reproduction, distribution and utilization of this document as well as the communication of its contents to others without express authorization is prohibited. Offenders will be held liable for the payment of damages. All rights reserved in the event of a patent, utility model or design. Dismissal copyright by ISO 15016

created by:	drawing no:	index:	document type:
revised by:	1045256-H	D	marketing dr.w.
			projection: 1st E
			scale: 1:1

release date:

sheet: 1/1



local article number: 152291

Title

ACO PowerDrain V 150 G Seal in Elnlaufkasten

Typ 00, mit Lippenlabyrinth-Dichtung DIN/DI 160, L = 0,5 m, Kartenschutz Guss Eisen

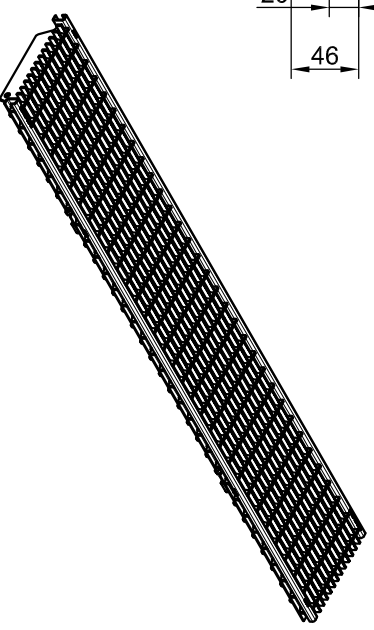
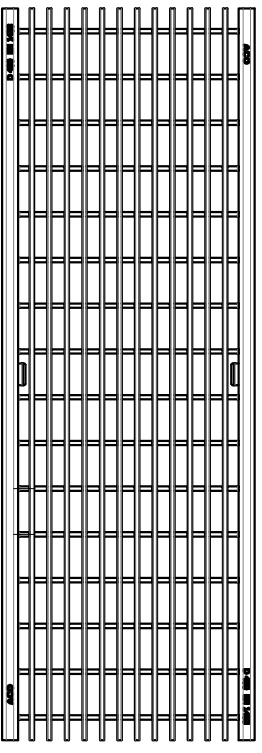
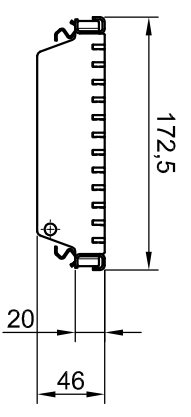
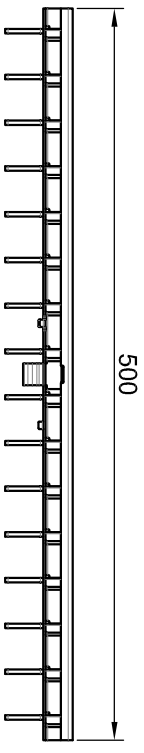
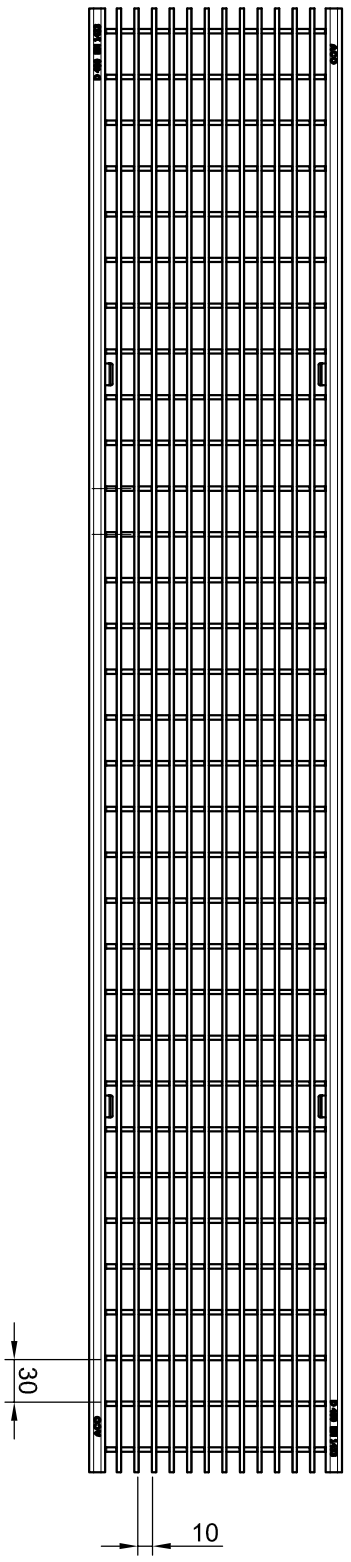
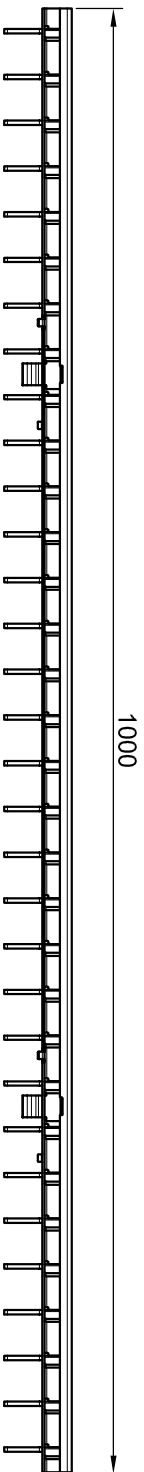
Art.-Nr. 152291

The reproduction, distribution and utilization of this document as well as the communication of its contents to others without express authorization is prohibited. Offenders will be held liable for the payment of damages. All rights reserved in the event of a patent, utility model or design. Design copyright by ISO 16016


created by:	drawing-no:	index:	documenttype:
reviewed by:	1043972-M	C	marketing-dr.w.
			projection:1st-E
			scale: 1:1

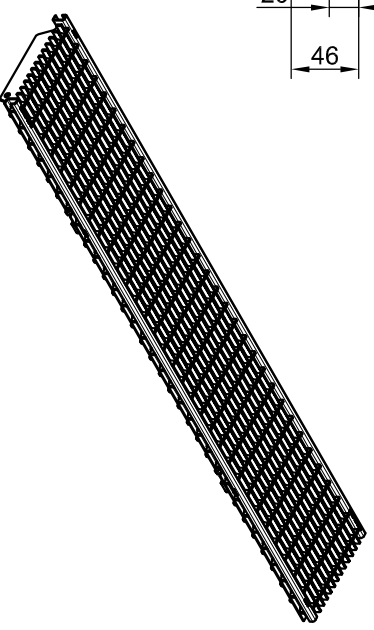
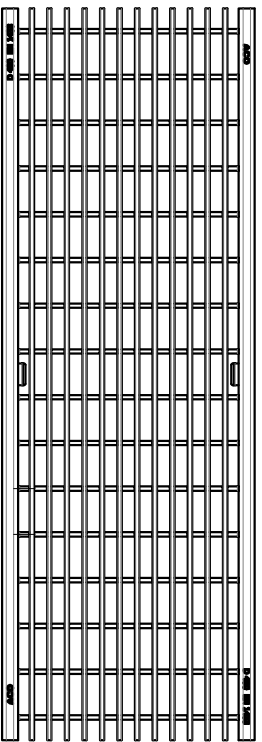
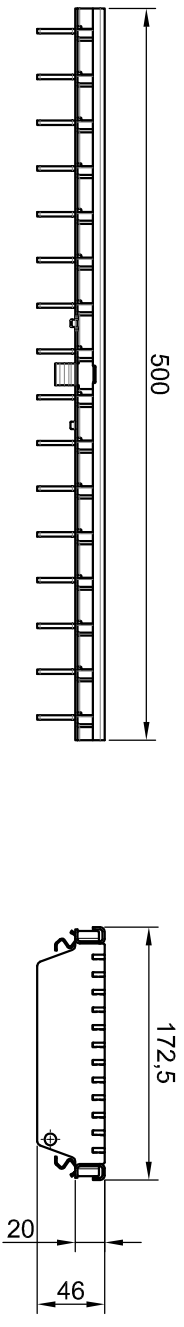
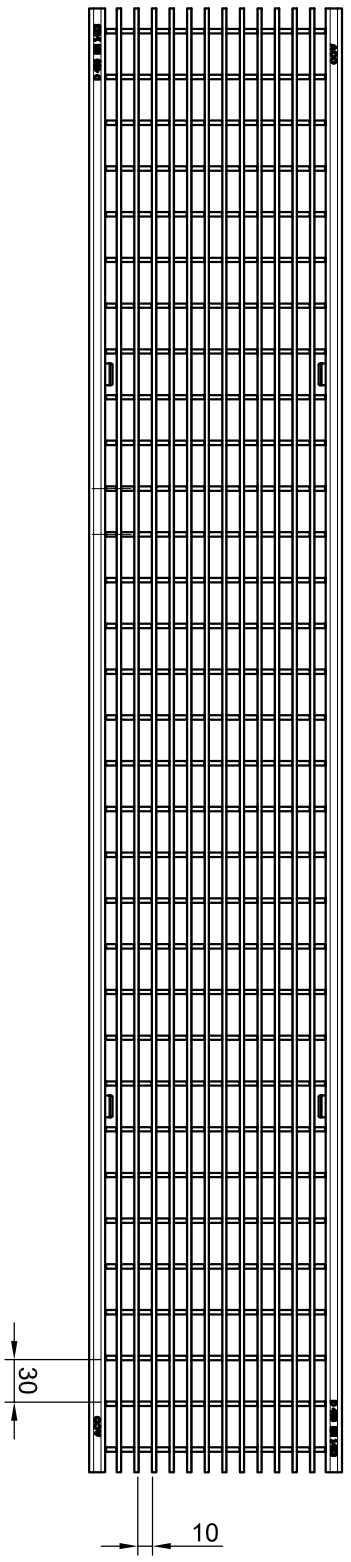
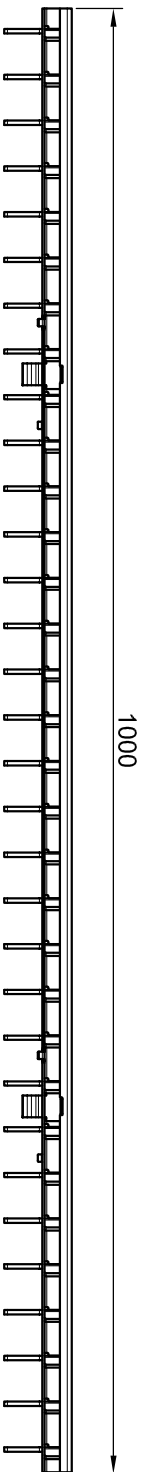
release date:

sheet: 1/1




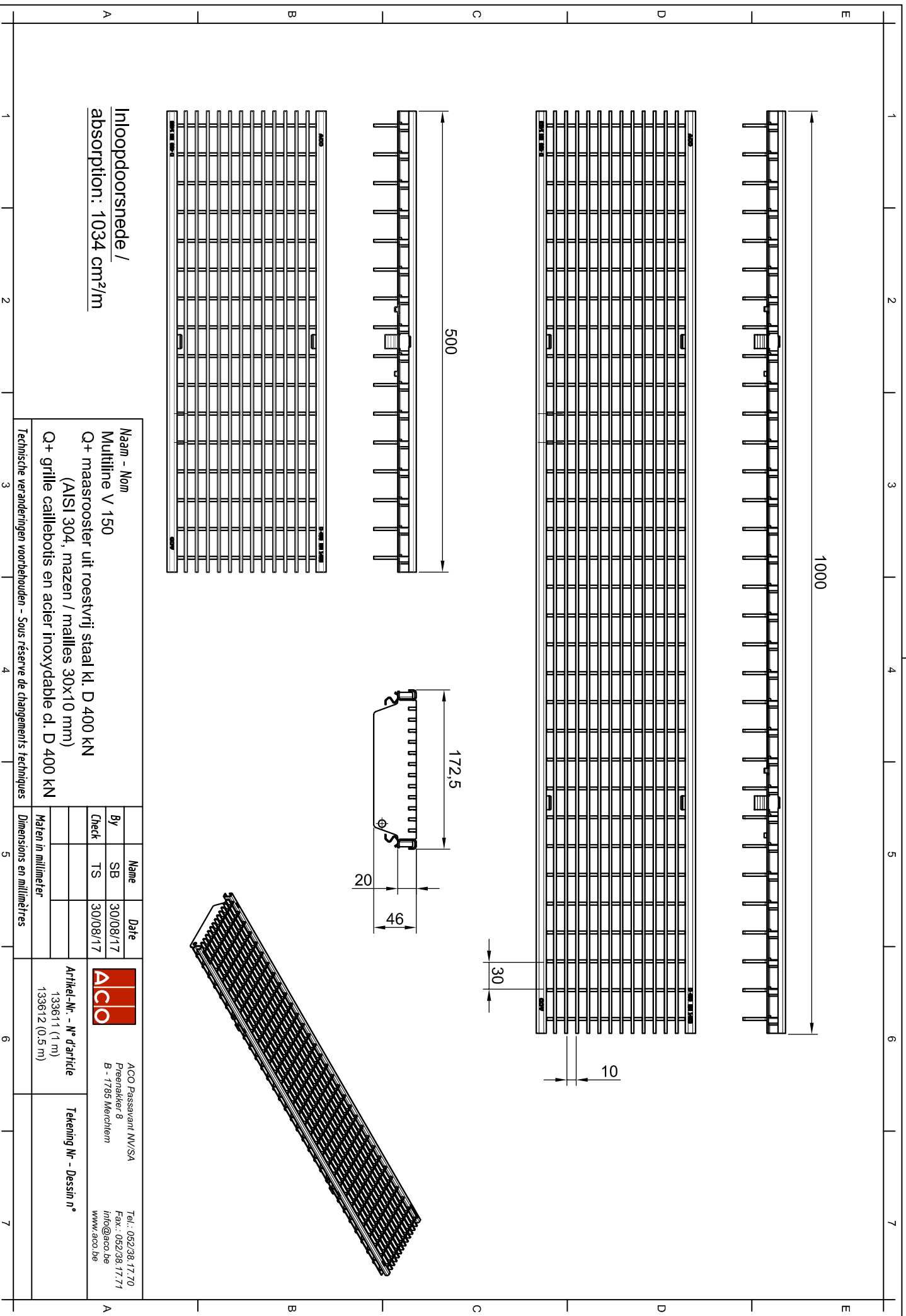
Inloopdoorsnede /
absorption: 1034 cm²/m

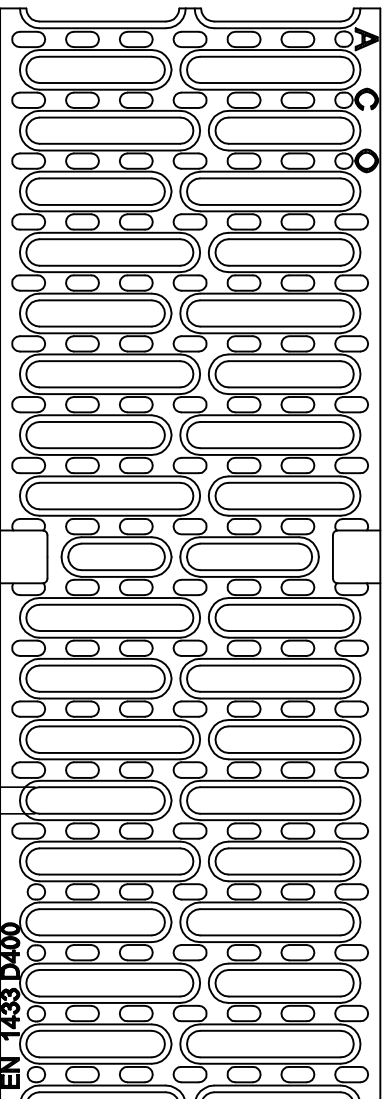
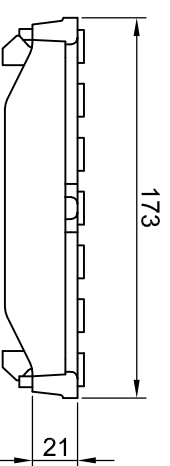
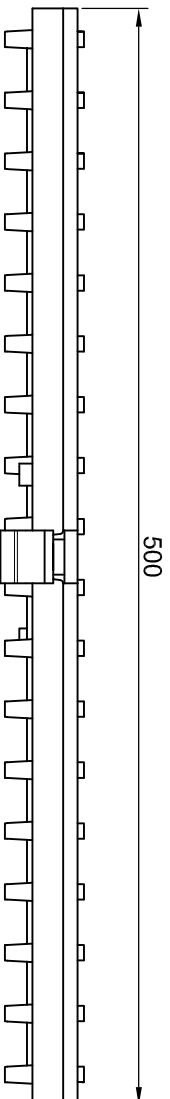
Naam - Nom Multiline V 150 Q+ maastrooster uit verzinkt staal kl. D 400 KN (mazen / mailles 30x10 mm) Q+ grille caillabois en acier galvanisé cl. D 400 KN		Name SB TS		Date 20/09/17 20/09/17			ACO Passavant NV/SA Peenikker 8 B - 1785 Merchtem info@aco.be www.aco.be	Tekening Nr - Dessin n°
Technische veranderingen voorbehouden - Sous réserve de changements techniques		Maten in millimeter		Artikel-Nr. - N° d'article 133609 (1 m) 133610 (0,5 m)				
Dimensions en millimètres		By SB		Check TS		133609 (1 m) 133610 (0,5 m)		Tel.: 052/38.17.70 Fax: 052/38.17.71 info@aco.be www.aco.be



Inloopdoorsnede /
absorption: 1034 cm²/m

Naam - Nom Multiline V 150 Q+ maastrooster uit roestvrij staal kl. D 400 kN (AISI 304, mazen / mailles 30x10 mm) Q+ grille caillaboits en acier inoxydable cl. D 400 kN		Name SB TS		Date 30/08/17 30/08/17			ACO Passavant NV/SA Peenakker 8 B - 1785 Merchtem info@aco.be www.aco.be	Artikel-Nr. - N° d'article 133611 (1 m) 133612 (0,5 m)	Tekening Nr - Dessin n°
Technische veranderingen voorbehouden - Sous réserve de changements techniques		Maten in millimeter		Dimensions en millimètres					





Inlooptdoorsnede /
absorption: 578 cm²/m

Naam - Nom
Multiiline V 150
sleufrooster uit gietijzer klasse D 400 KN
grille passerelle en fonte classe D 400 KN

By	Name	Date
SB	SB	12/02/18
Check	SW	12/02/18

Maten in millimeter



Artikel-Nr. - N° d'article
23164

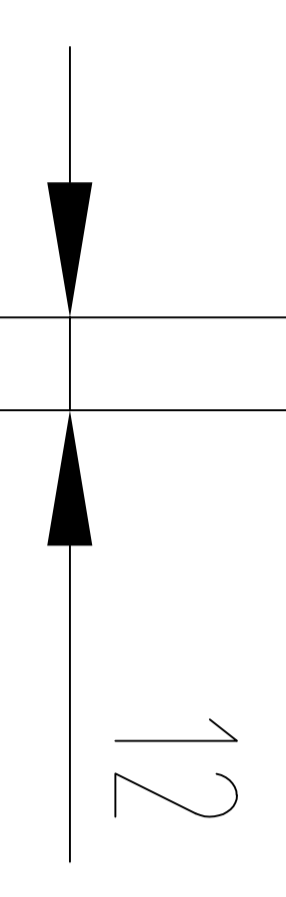
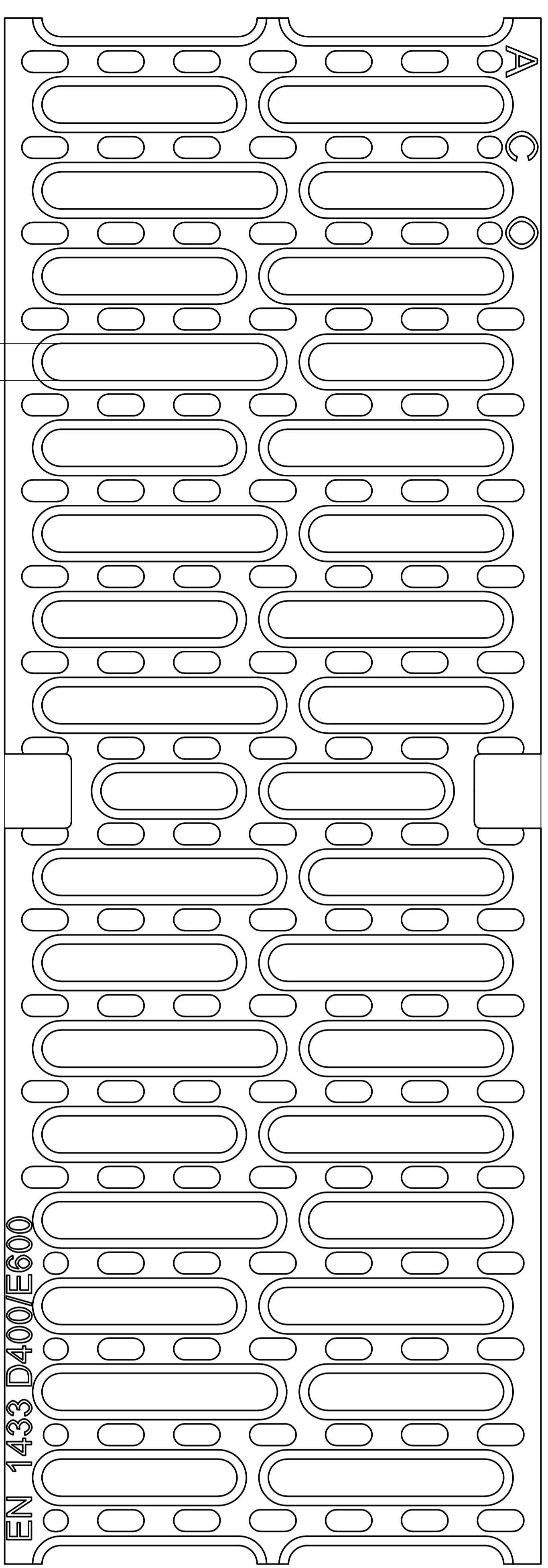
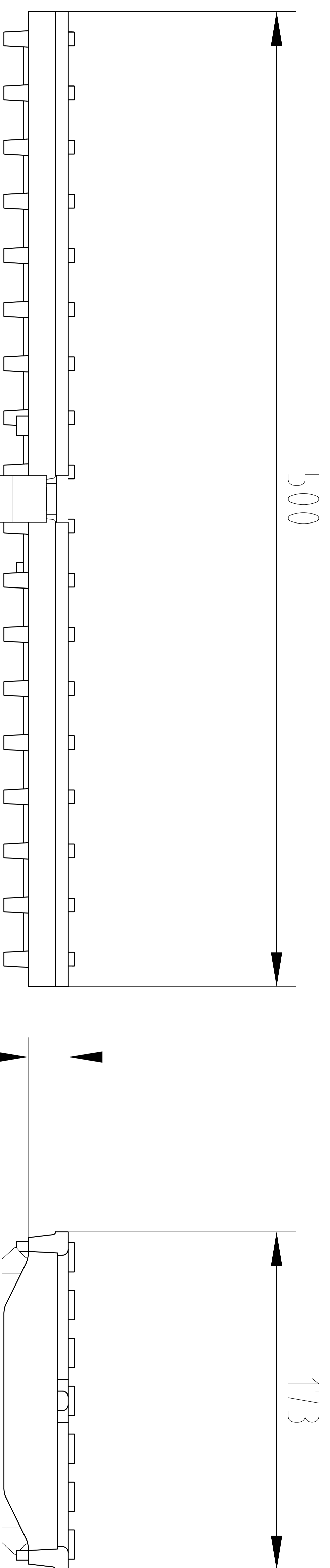
ACO Passavant NV/SA
Peebikker 8
B - 1785 Merchtem

Tel.: 052/38.17.70
Fax: 052/38.17.71
info@aco.be
www.aco.be

Tekening Nr - Dessin n°

Technische veranderingen voorbehouden - Sous réserve de changements techniques

Dimensions en millimètres

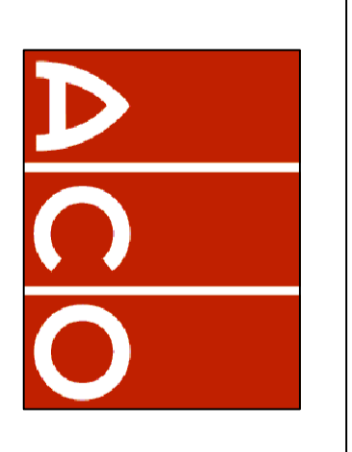


Inlooppdoorsnede /
absorption: 578 cm²/m

Multiline V 150
sleufrooster uit gietijzer kl. E 600 KN
grille passerelle en fonte cl. E 600 KN

Naam - Norm

By	Name	Date
Check	TS	30/11/21



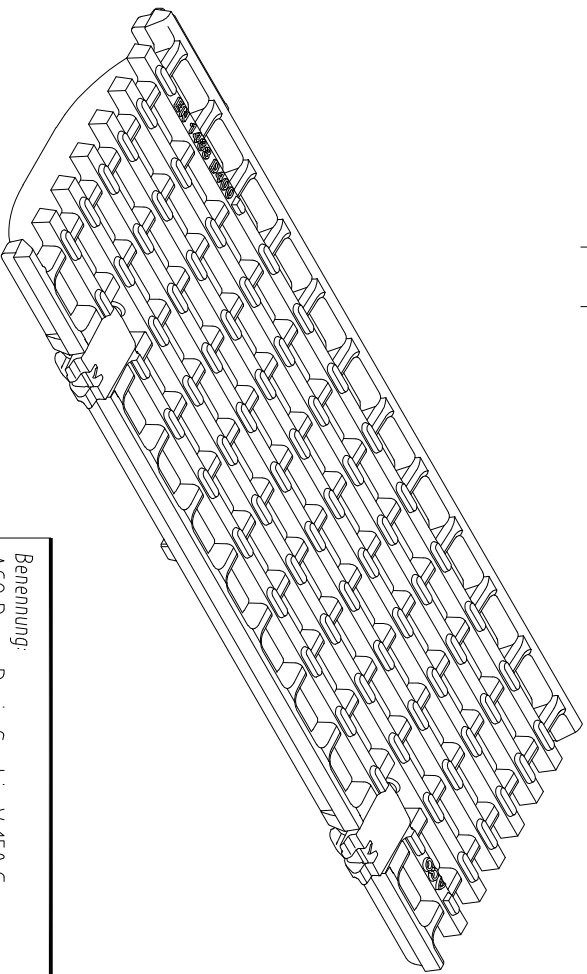
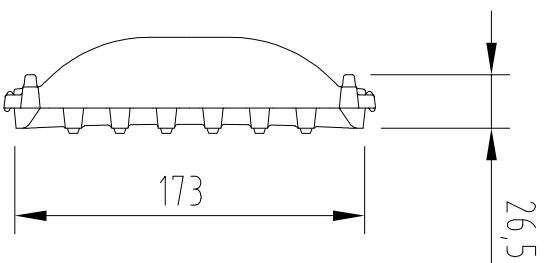
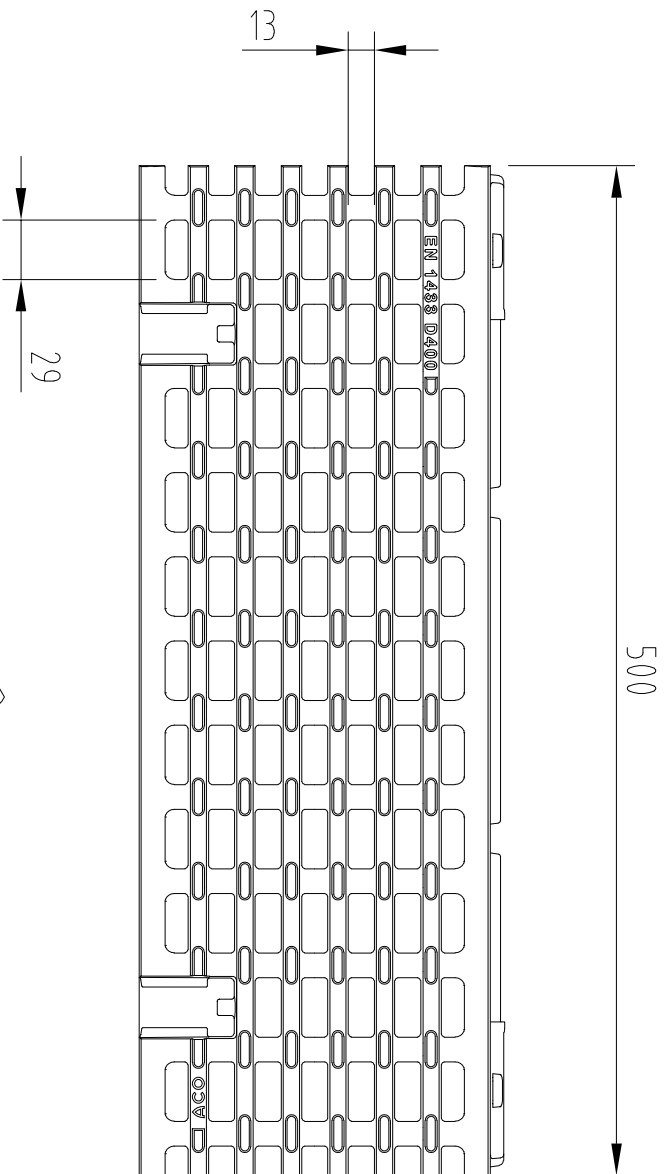
ACO Passavant NV/SA
Preenakker 8
B - 1785 Merchtem
Tel.: 052/38.17.70
Fax.: 052/38.17.71
info@aco.be
www.aco.be

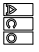
Maten in millimeter	
Dimensions en millimètres	

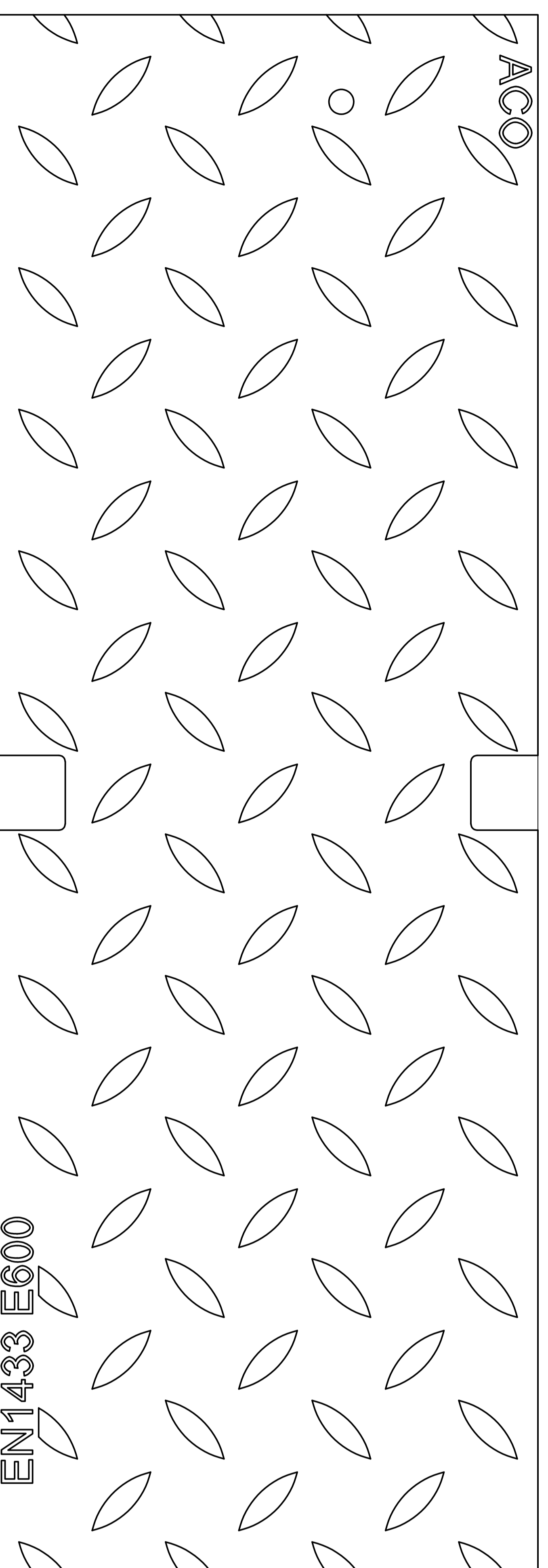
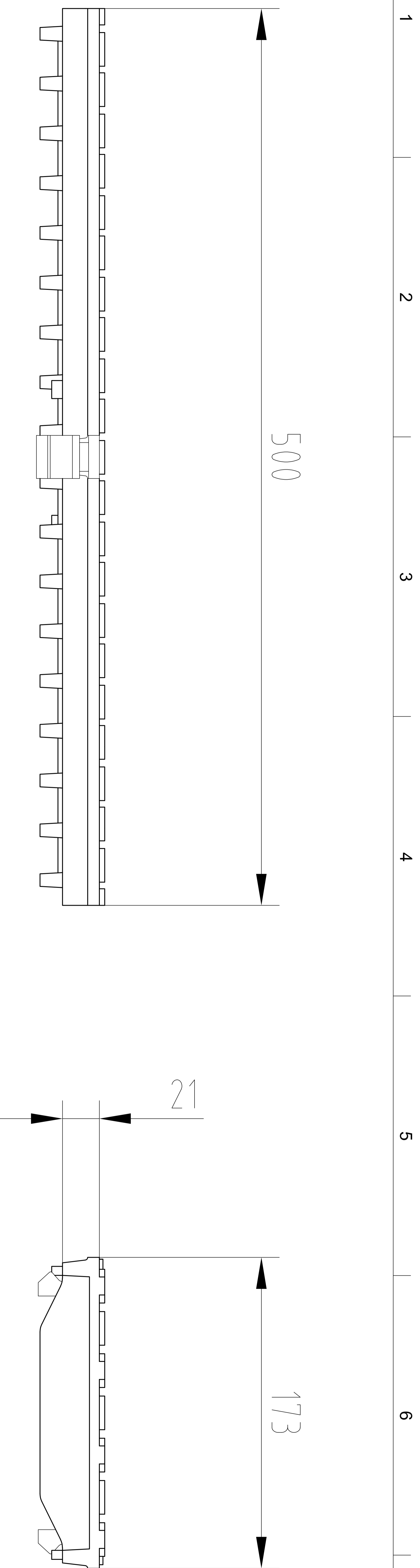
Artikel-Nr. - N° d'article
133660
Tekening Nr. - Dessin n°

Technische veranderingen voorbehouden - Sous réserve de changements techniques

1 2 3 4 5 6 7



Benennung: ACO PowerDrain Seal in V 150 G Powerlock Längsstabgussrost Kl. D400, L= 0,5 m Art.-Nr. 133927		Datum 26.07.2021		Name debeling		 ACO Tiefbau ACO Tiefbau Vertrieb GmbH 24355 Redding, Postfach 329 Tel. 04331 / 354-510 Fax 04331 / 354-558 www.aco-tiefbaude.de	Zeichnung-Nr. 1118822-M	Index 000	
Schutzvermerk gemäß DIN 34		Gez. Ubd Norm		Ers. für:					
Technische Änderungen vorbehalten									



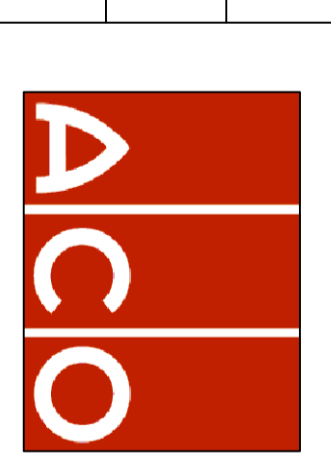
Naam - Norm
Multiline V 150
volle plaat uit gietijzer Kl. E 600 KN
tôle larmée en fonte cl. E 600 KN

Technische veranderingen voorbehouden - Sous réserve de changements techniques

	Name	Date
By	TS	30/11/21
Check		

Maten in millimeter

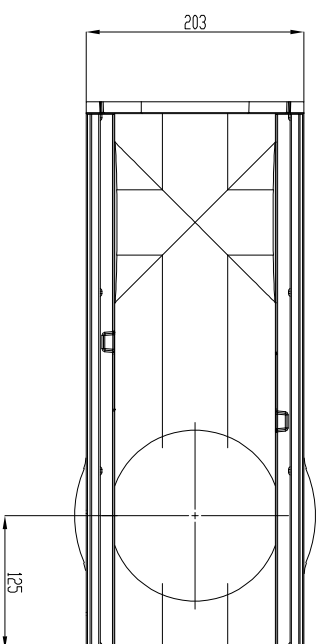
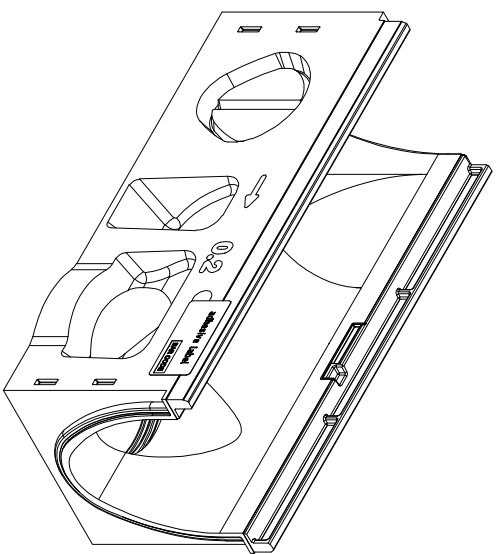
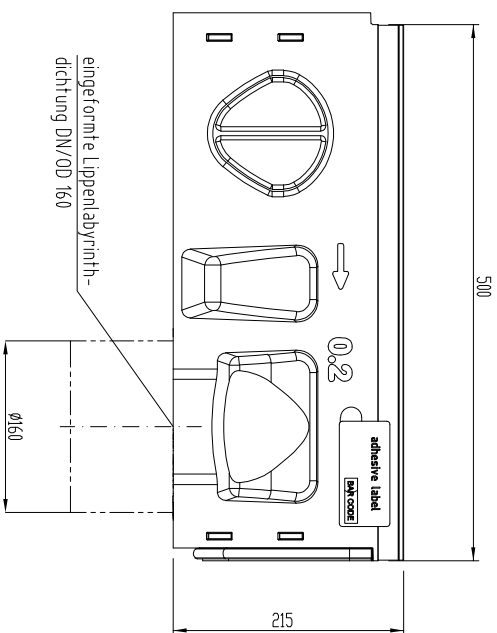
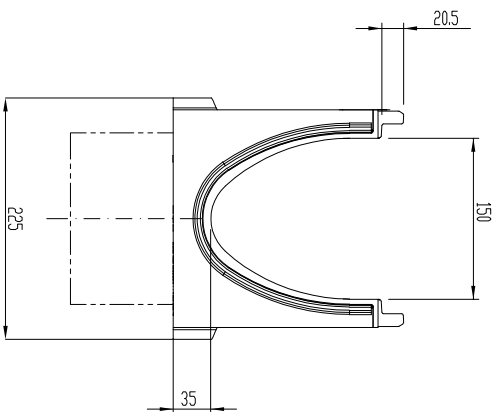
Dimensions en millimètres



Artikel-Nr. - N° d'article
 133664

ACO Passavant NV/SA
 Preenakker 8
 B - 1785 Merchtem
 Tel.: 052/38.17.70
 Fax.: 052/38.17.71
 info@aco.be
 www.aco.be

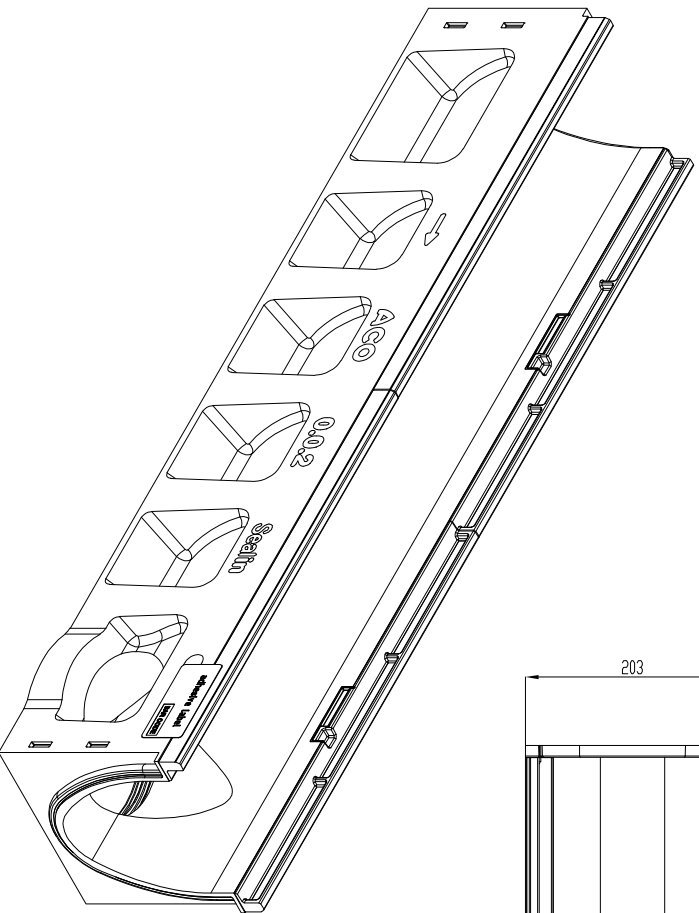
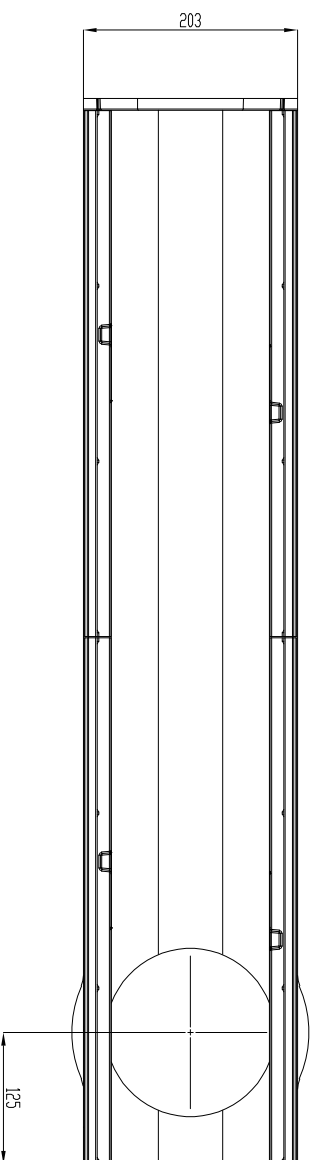
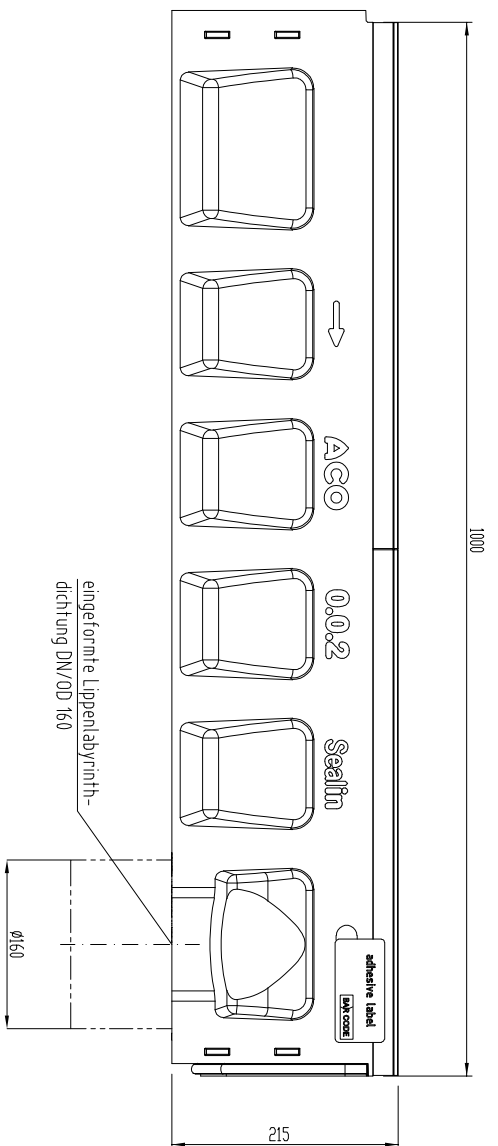
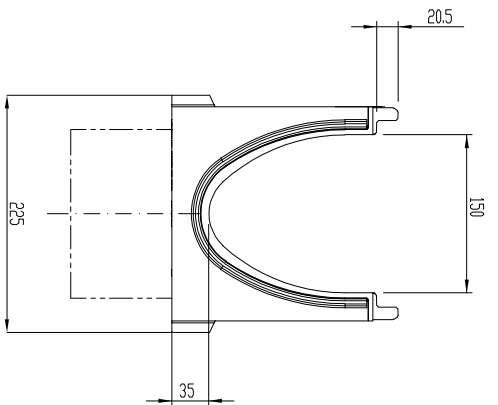
Tekening Nr. - Dessin n°



local article number: 152232

title:	ACD Powerflon V 150 G Seal in Rinne	drawing-no:	1046228-M	index:	D	document type:	marketing drw.
	Typ 02, mit Lippenabyrinth-Dichtung DN/OD 160, L = 0.5 m, Kantenschutz Gusseisen	created by:		reviewed by:		projection:	1st-E
	Art.-Nr. 152232					scale:	1/1

The reproduction, distribution and utilization of this document as well as the communication of its contents to others without express authorization is prohibited. Offenders will be held liable for the payment of damages. All rights reserved in the event of a patent, utility model or design. Observe copyright by 150 1806



local article number: 152234

Title

ACD PowerDrain V 150 G Seal in Rinne

Typ 002, mit Lippenlabyrinth-Dichtung DN/DD 160 L= 1,0 m, Kontenschutz Gusseisen

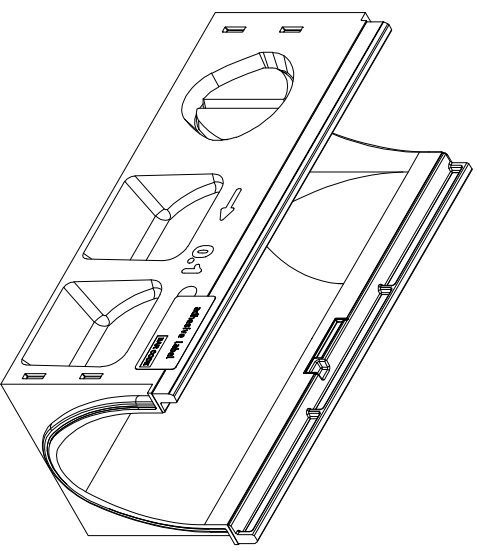
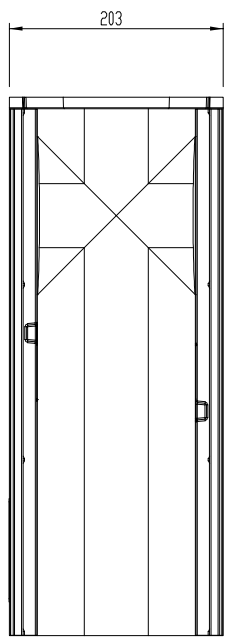
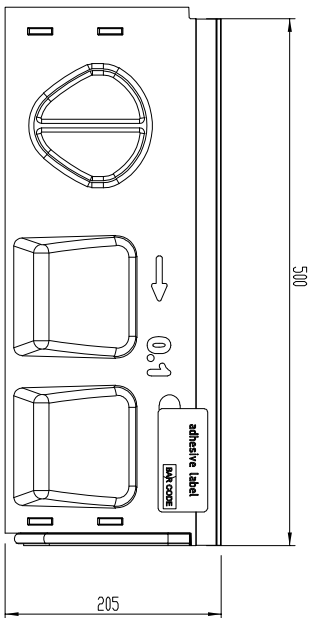
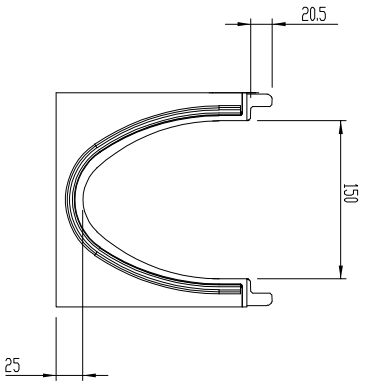
Art.-Nr. 152234

created by:	drawing-no:	index:	documenttype:
reviewed by:	1045/35-M	E	marketing dr.w.
			projection:1:1
			scale: 1:1

The reproduction, distribution and utilization of this document as well as the communication of its contents to others without express authorization is prohibited. Differences will be held liable for the payment of damages. All rights reserved in the event of a patent, utility model or design. Dismissal copyright by ISO 16016

release date:

sheet: 1/1



local article number: 152231

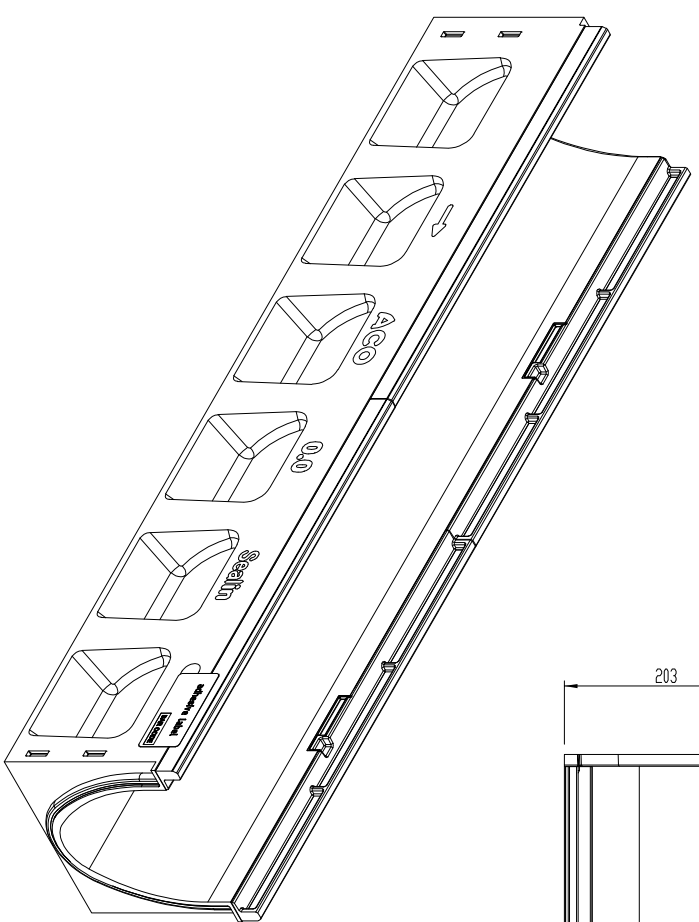
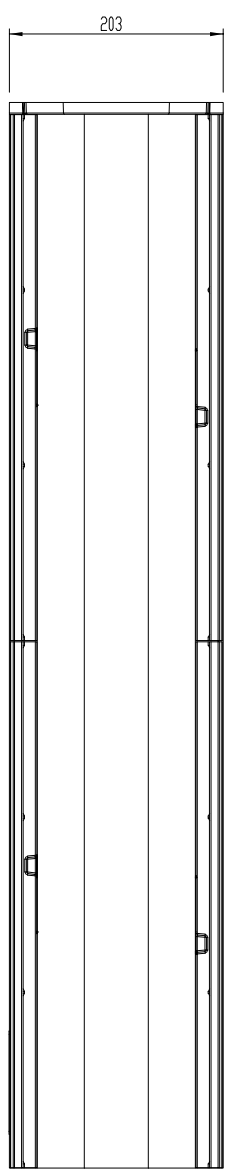
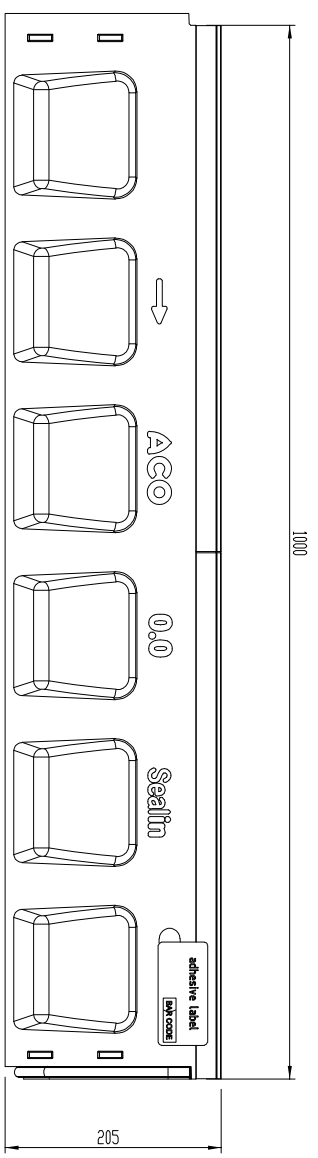
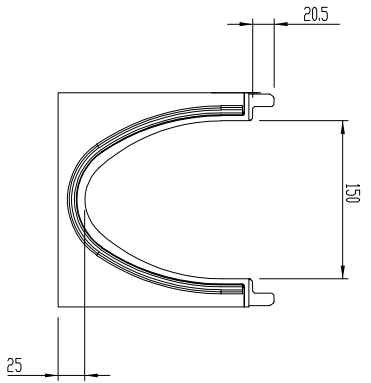
created by:	drawing no:	index:	document type:
reviewed by:	1044622-M	D	marketing dr.w.
			projection: 1st angle
			scale: 1:1

Title:
ACD PowerDrain V 150 G Seal in Rhine
Typ 01, L = 05 m, mit Kontenschutz Gussseisen
Art.-Nr. 152231

The reproduction, distribution and utilization of this document as well as the communication of its contents to others without express authorization is prohibited. Offenders will be held liable for the payment of damages. All rights reserved in the event of the grant of a patent, utility model or design. Dismissal copyright by ISO 15016

release date:

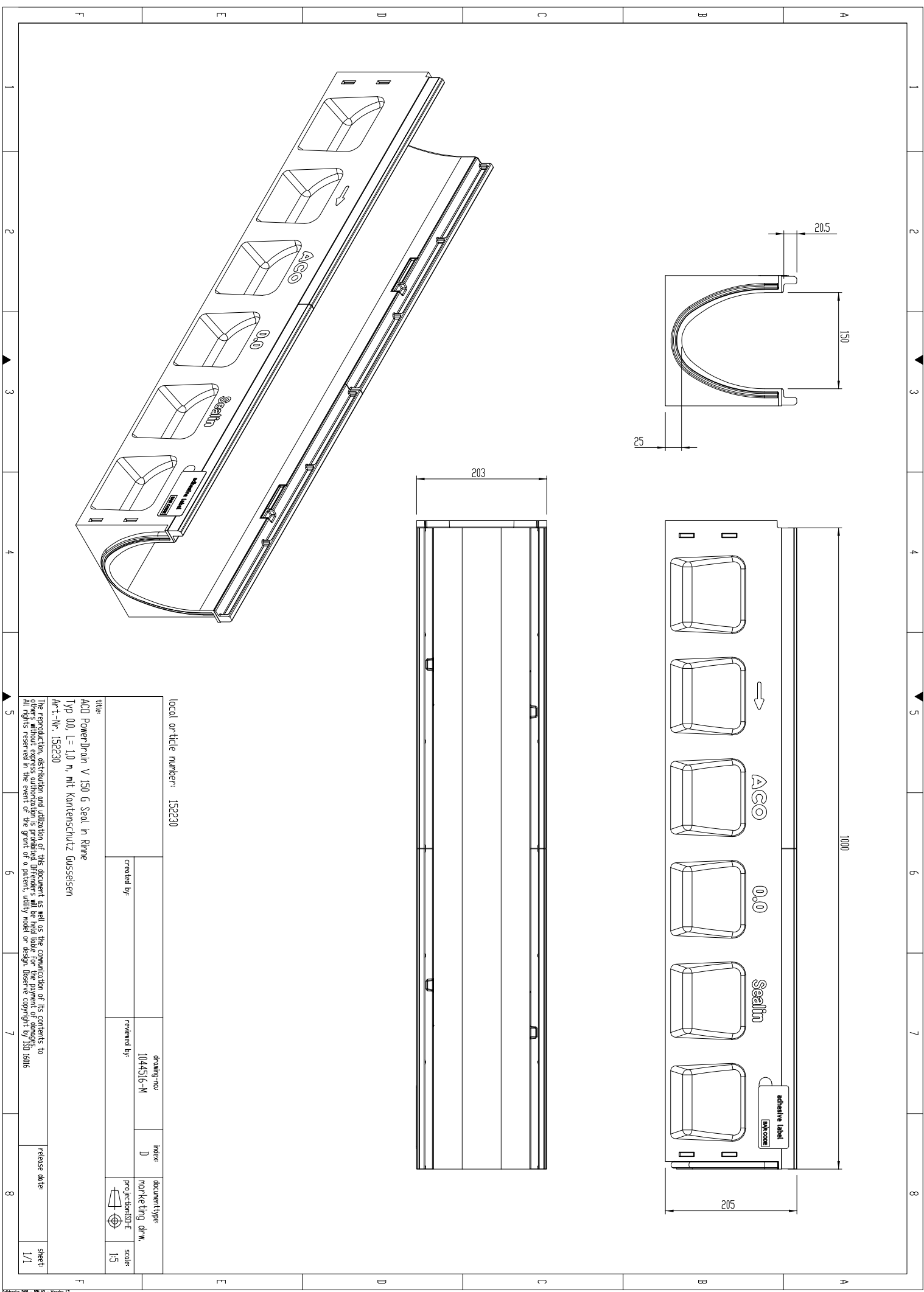
sheet: 1/1

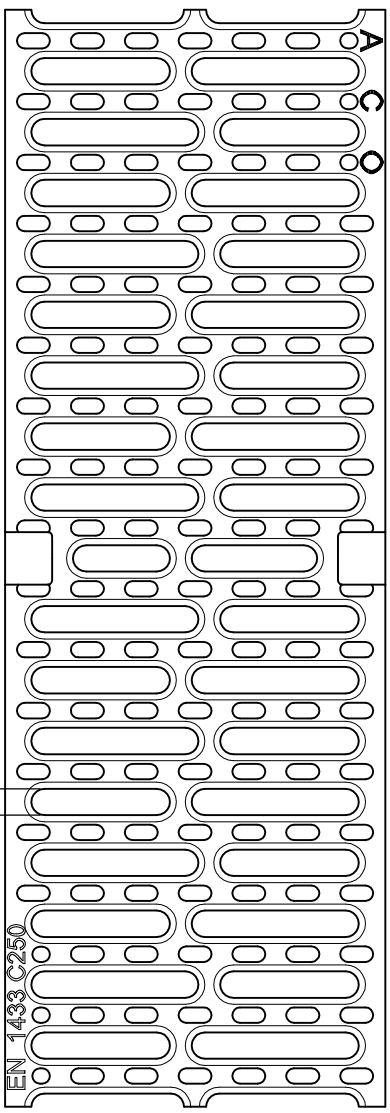
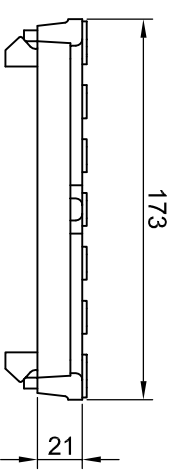
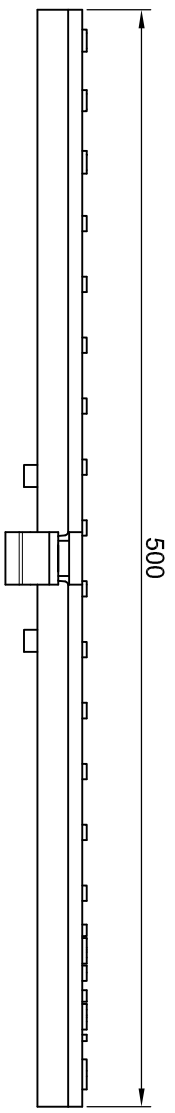


local article number: 152230

title	ACO PowerDrain V 150 G Seal in Rinne	drawing no:	1044516-M	index	D	documenttype	marketing dr.w.
	Typ 00, L= 1.0 m, mit Kantenschutz Guss Eisen	created by:		reviewed by:		projection	1:3
	Art.-Nr. 152230						scale

The reproduction, distribution and utilization of this document as well as the communication of its contents to others without express authorization is prohibited. Offenders will be held liable for the payment of damages. All rights reserved in the event of a patent, utility model or design. Dismiss copyright by ISO 15016





Inloopdoorsnede /
absorption: 578 cm²/m

Naam - Nom
Multiiline V 150
sleufrooster uit gietijzer kl. C 250 KN
grille passerelle en fonte cl. C 250 KN

Technische veranderingen voorbehouden - Sous réserve de changements techniques

	Name	Date
By	SB	18/07/12
Check	SW	18/07/12

Maten in millimeter

Dimensions en millimètres



Artikel-Nr. - N° d'article
13070

ACO Passavant NV/SA
Peeinikker 8
B - 1785 Merchtem
www.aco.be

Tel.: 052/38.17.70
Fax: 052/38.17.71
info@aco.be

Tekening Nr - Dessin n°