

Inloopdoorsnede /
absorption: 740cm²/m

Naam - Nom

Multiline V 200
 Gietijzeren sleufrooster kl. E 600
 Grille passerelle en fonte, cl. E 600

Technische veranderingen voorbehouden - Sous réserve de changements techniques

	Name	Date
By	SB	18/07/12
Check	SW	18/07/12



ACO Passavant NV/SA
 Preenakker 8
 B - 1785 Merchtem

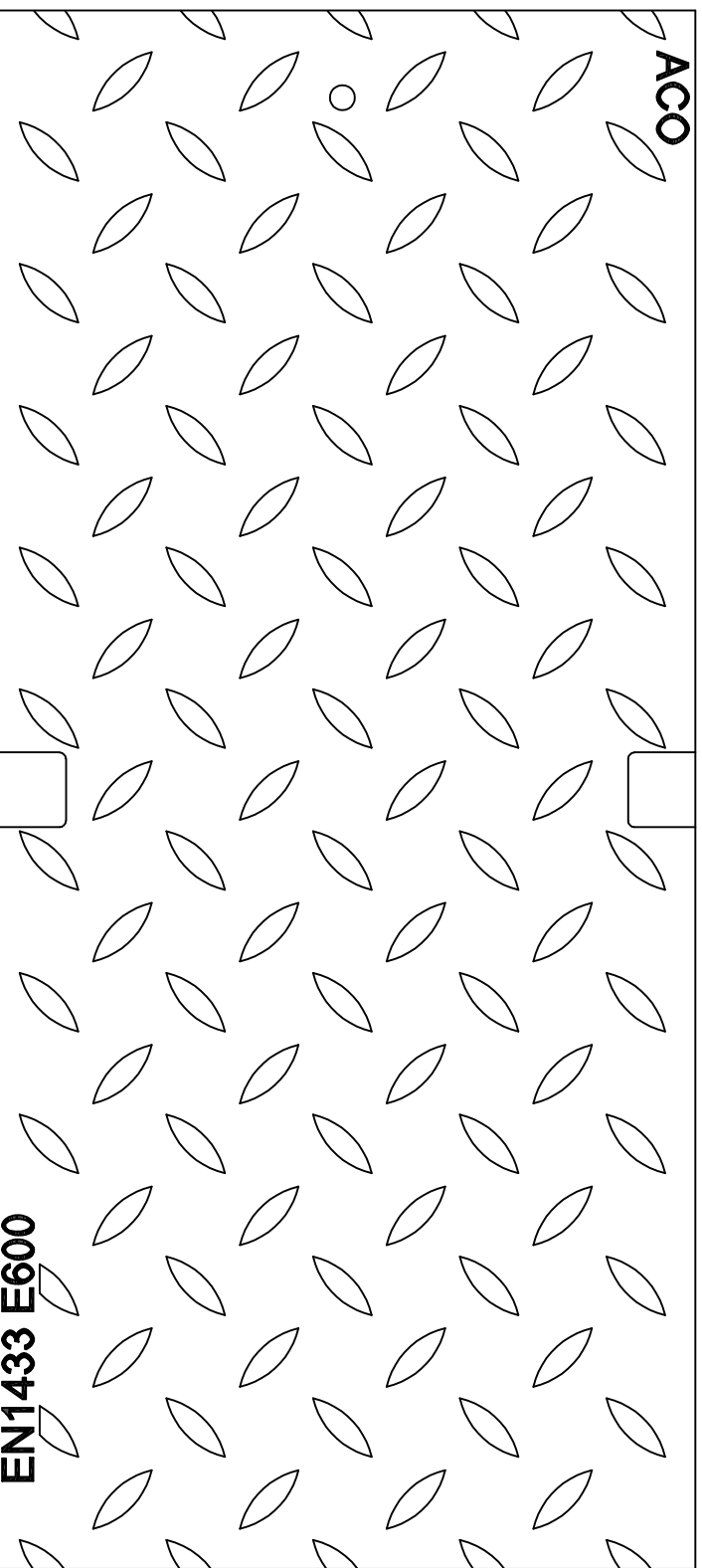
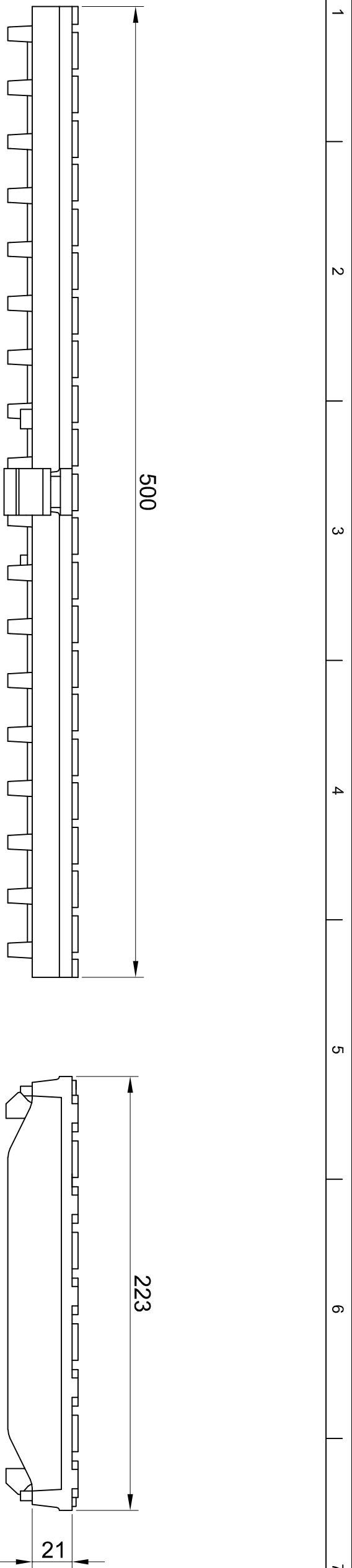
Tel.: 052/38.17.70
 Fax.: 052/38.17.71
 info@aco.be
 www.aco.be

Artikel-Nr. - N° d'article
 133666

Tekening Nr - Dessin n°

Maten in millimeter

Dimensions en millimètres



1	2	3	4	5	6	7
A	B	C	D	E	A	B

Naam - Nom

Multiline V 200

afdekplaat uit gietijzer kl. D 400 / E 600 KN
tôle larmée en fonte cl. D 400 / E 600 KN

Technische veranderingen voorbehouden - Sous réserve de changements techniques

By	Name	Date
Check	TS	21/09/20

Maten in millimeter

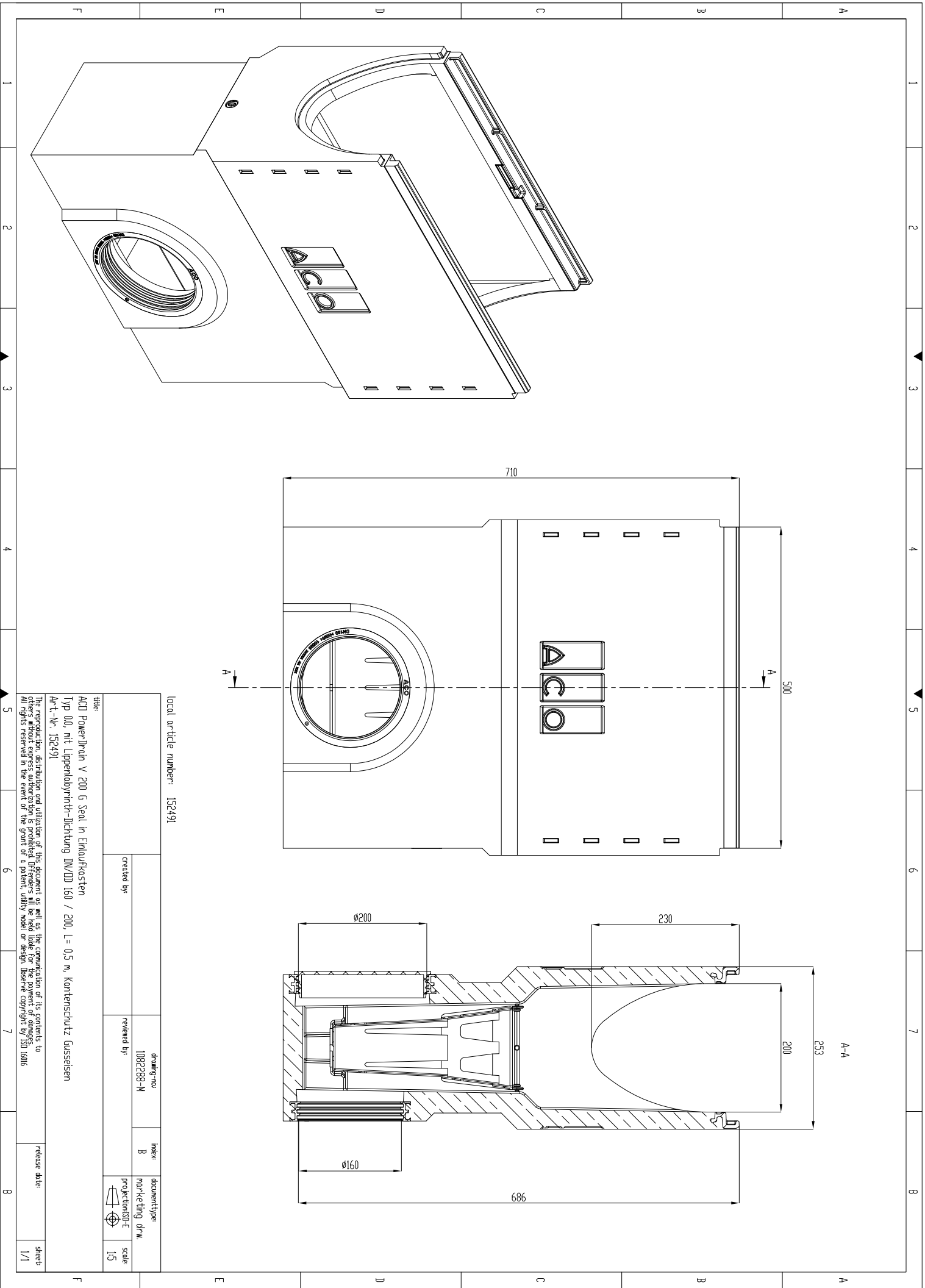
Dimensions en millimètres



ACO Passavant NV/SA
Preenakker 8
B - 1785 Merchiem
Tel.: 052/38.17.70
Fax.: 052/38.17.71
info@aco.be
www.aco.be

Artikel-Nr. - N° d'article
133670

Tekening Nr - Dessin n°



local article number: 152491

Title

ACD PowerDrain V 200 G Seal in Einlaufkasten

Typ 00, mit Lippenlabyrinth-Dichtung DN/DN 160 / 200, L = 0,5 m, Kontenschutz Gussisen

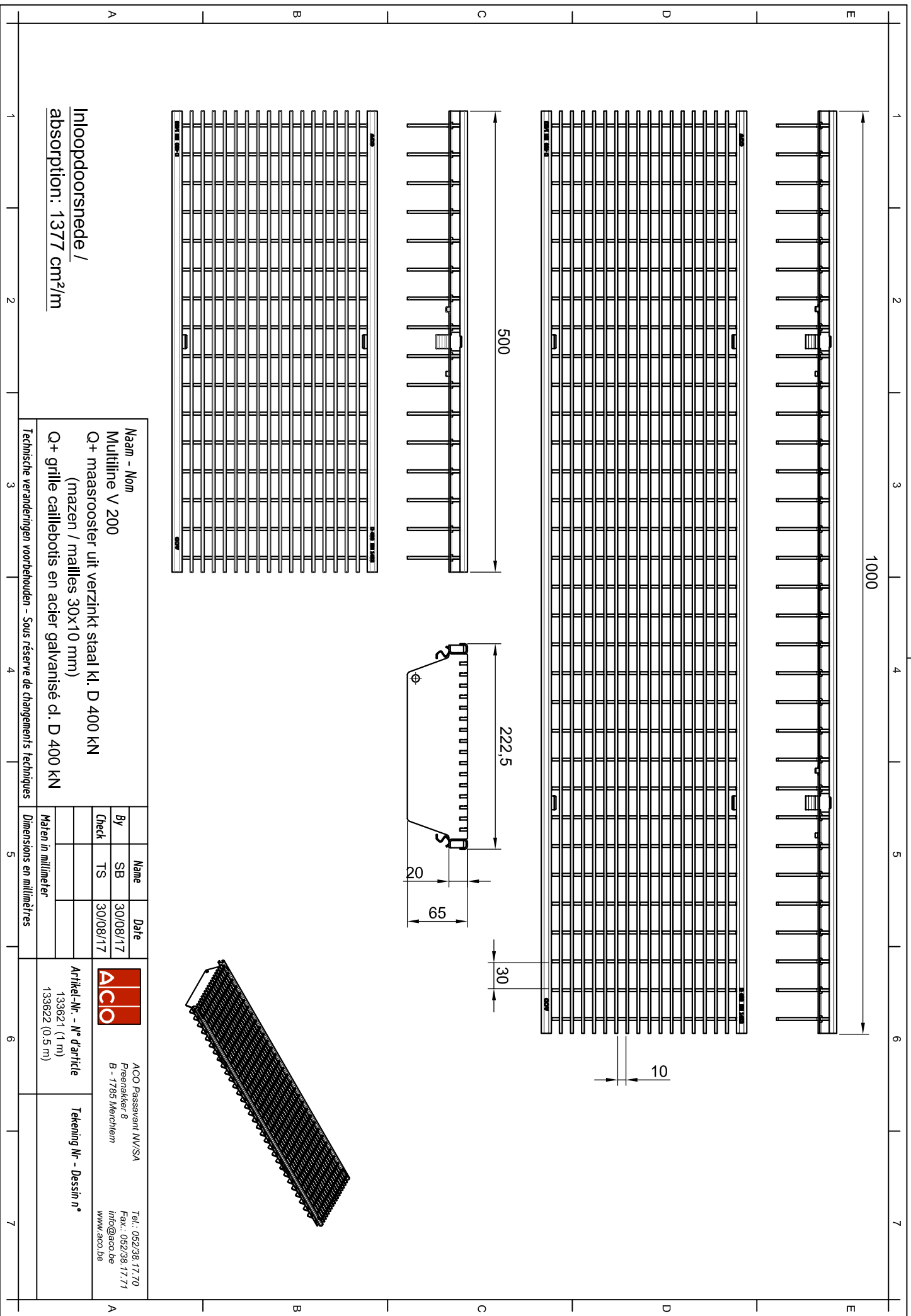
Art.-Nr. 152491

The reproduction, distribution and utilization of this document as well as the communication of its contents to others without express authorization is prohibited. Offenders will be held liable for the payment of damages. All rights reserved in the event of a patent, utility model or design. Diverse copyright by ISO 16016


created by:	drawing-no:	index:	documenttype:
reviewed by:	1082288-N	B	marketing_drw.
			projection:1st-E
			scale: 1:1

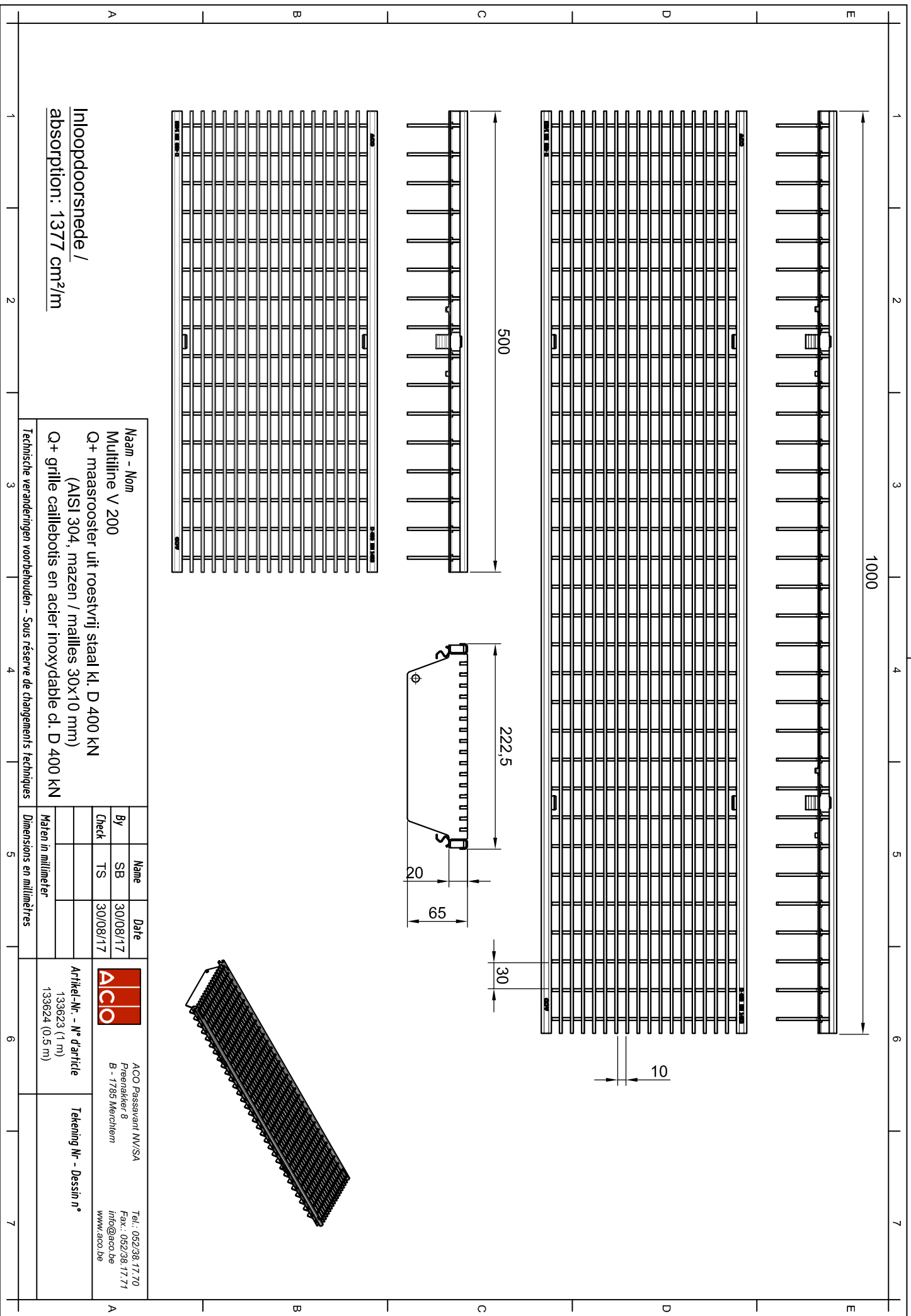
release date:

sheet: 1/1




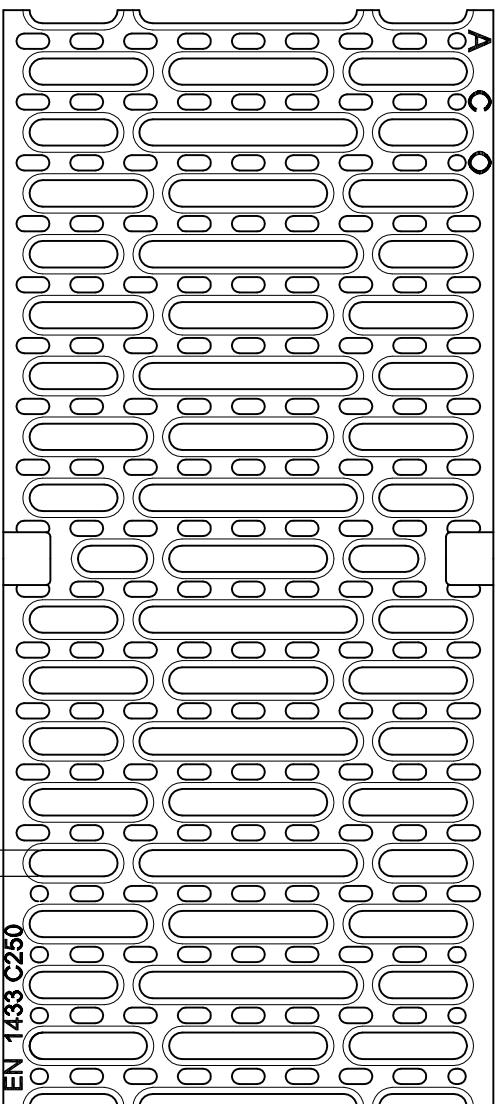
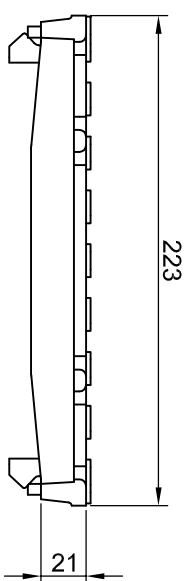
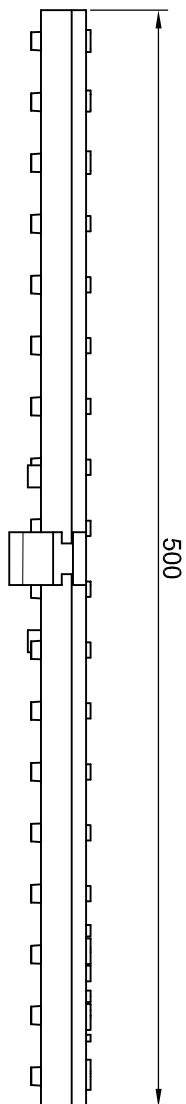
Inloopdoorsnede /
absorption: 1377 cm²/m

Naam - Nom Multiline V 200 Q+ maastrooster uit verzinkt staal kl. D 400 KN (mazet / mailles 30x10 mm) Q+ grille caillabois en acier galvanisé cl. D 400 KN		Technische veranderingen voorbehouden - Sous réserve de changements techniques	
Maten in millimeter		Dimensions en millimètres	
By	Name	Date	
SB	SB	30/08/17	
Check	TS	30/08/17	
Artikel-Nr. - N° d'article 133621 (1 m) 133622 (0,5 m)		Tekening Nr. - Dessin n°	
		ACO Passavant NV/SA Peenikker 8 B - 1785 Merchtem Tel.: 052/38.17.70 Fax: 052/38.17.71 info@aco.be www.aco.be	



Inloopdoorsnede /
absorption: 1377 cm²/m

Naam - Nom Multiline V 200 Q+ maastrooster uit roestvrij staal Kl. D 400 kN (AISI 304, mazen / mailles 30x10 mm) Q+ grille caillaboits en acier inoxydable cl. D 400 kN		Maten in millimeter		Article-Nr. - N° d'article 133623 (1 m) 133624 (0,5 m)		Tekening Nr - Dessin n°	
By	Name	Date			ACO Passavant NV/SA Peenakker 8 B - 1785 Merchtem		
Check	SB	30/08/17	Tel.: 052/38.17.70 Fax: 052/38.17.71 info@aco.be www.aco.be				
	TS	30/08/17					
Technische veranderingen voorbehouden - Sous réserve de changements techniques		Dimensions en millimètres					



Inloopdoorsnede /
absorption: 740 cm²/m

Naam - Nom
Multiiline V 200
sleufrooster uit gietijzer kl. C 250 KN
grille passerelle en fonte cl. C 250 KN

Technische veranderingen voorbehouden - Sous réserve de changements techniques

Maten in millimeter	
By	SB
Check	SW

Dimensions en millimètres

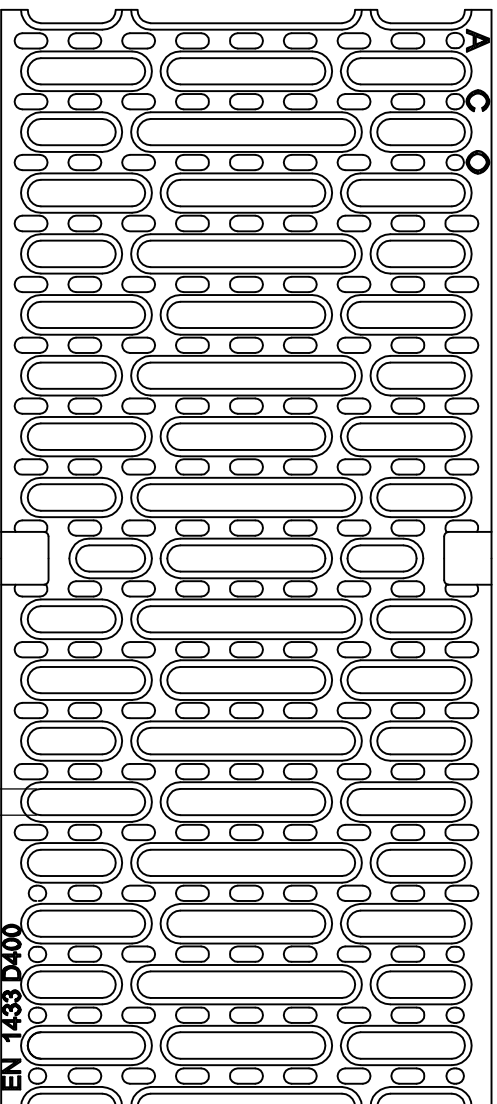
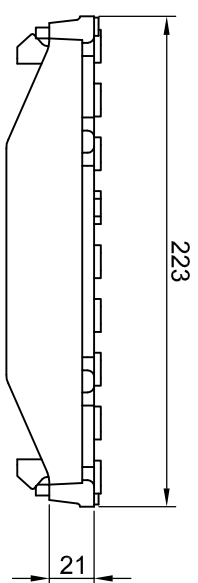
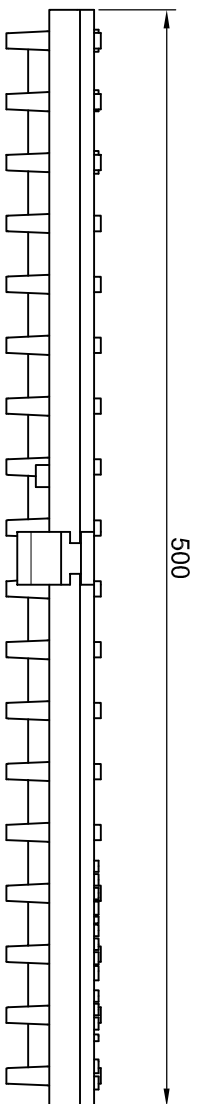


ACO Passavant NV/SA
Peebakkert 8
B - 1785 Merchtem

Tel.: 052/38.17.70
Fax: 052/38.17.71
info@aco.be
www.aco.be

Artikel-Nr. - N° d'article
13470

Tekening Nr - Dessin n°



Inlooppdoorsnede /
absorption: 740cm²/m

Naam - Nom
Multiiline V 200
sleufrooster uit gietijzer klasse D 400 KN
grille passerelle en fonte classe D 400 KN

Technische veranderingen voorbehouden - Sous réserve de changements techniques

Name	Date
By SB	12/02/18
Check TS	12/02/18

Maten in millimeter

Dimensions en millimètres

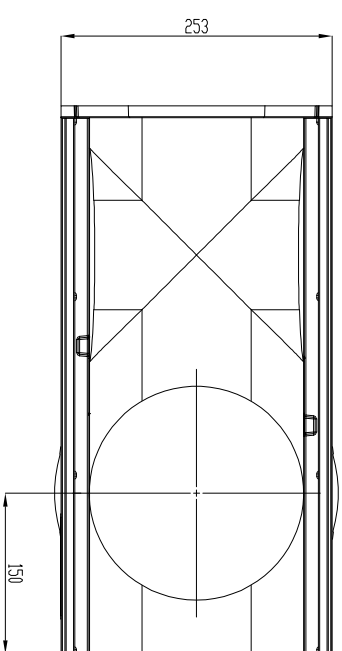
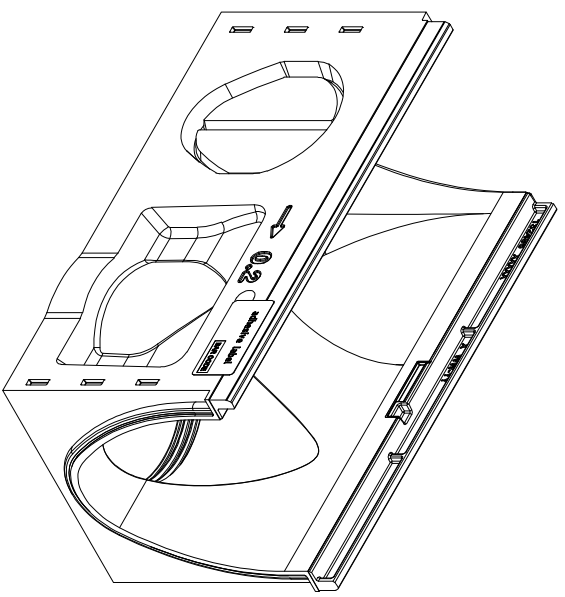
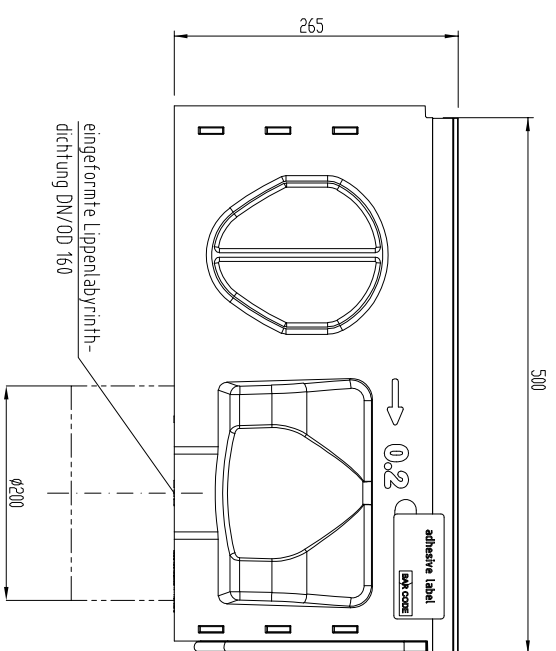
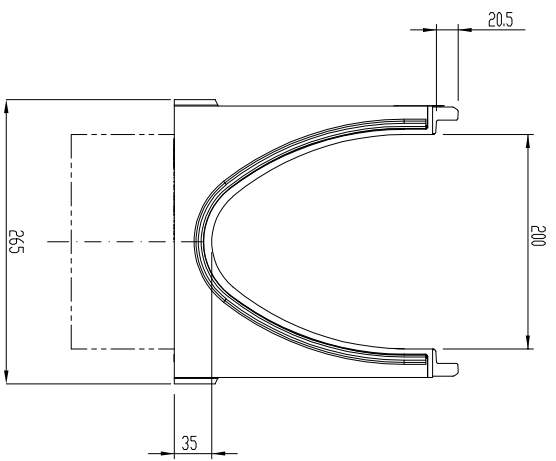


ACO Passavant NV/SA
Peeenakker 8
B - 1785 Merchtem

Tel.: 052/38.17.70
Fax: 052/38.17.71
info@aco.be
www.aco.be

Artikel-Nr. - N° d'article
23224

Tekening Nr - Dessin n°



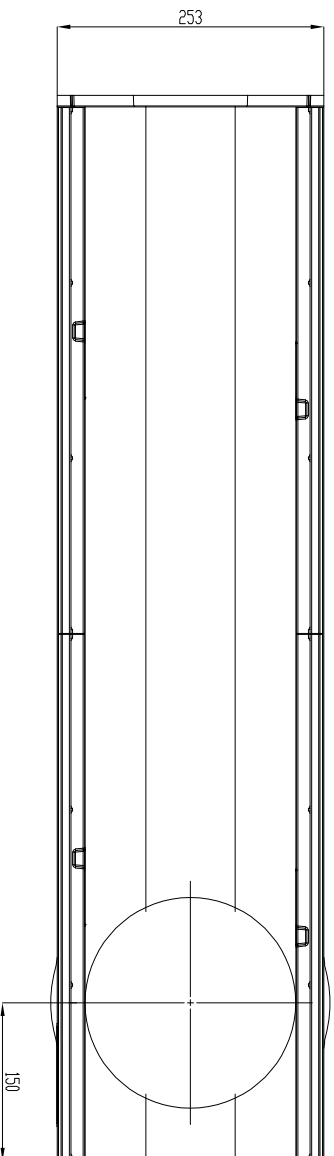
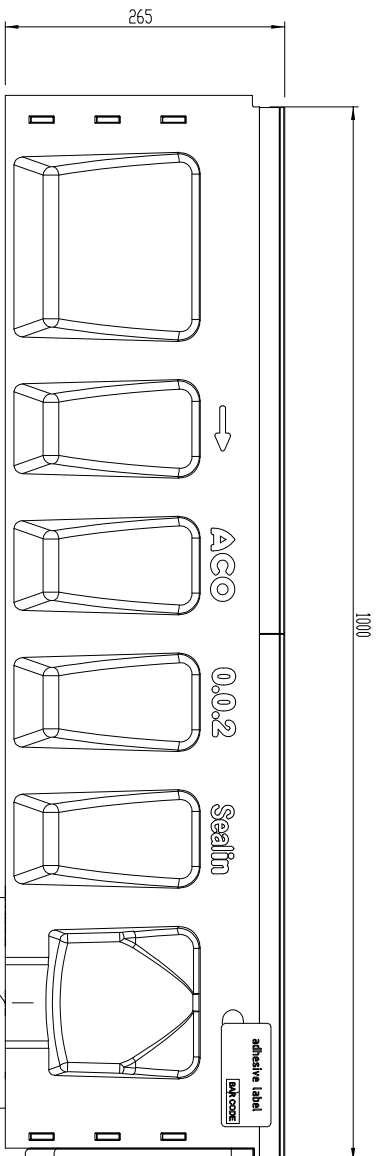
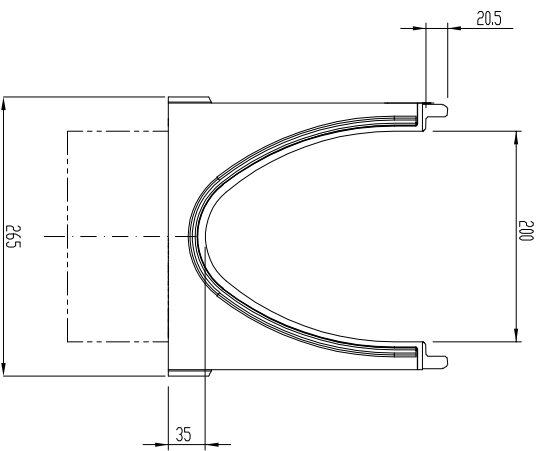
local article number: 152432

title	ACD PowerDrain V 200 G Seal in Rimse	drawing no:	1081606-M	index:	F	document type:	marketing dr.w.
	Typ 02, mit Lippenlabyrinth-Dichtung DN/OD 200, L= 0,5 m, Kantenschutz Guss Eisen	created by:		reviewed by:		projection:	1-E
	Art.-Nr. 152432					scale:	1:5

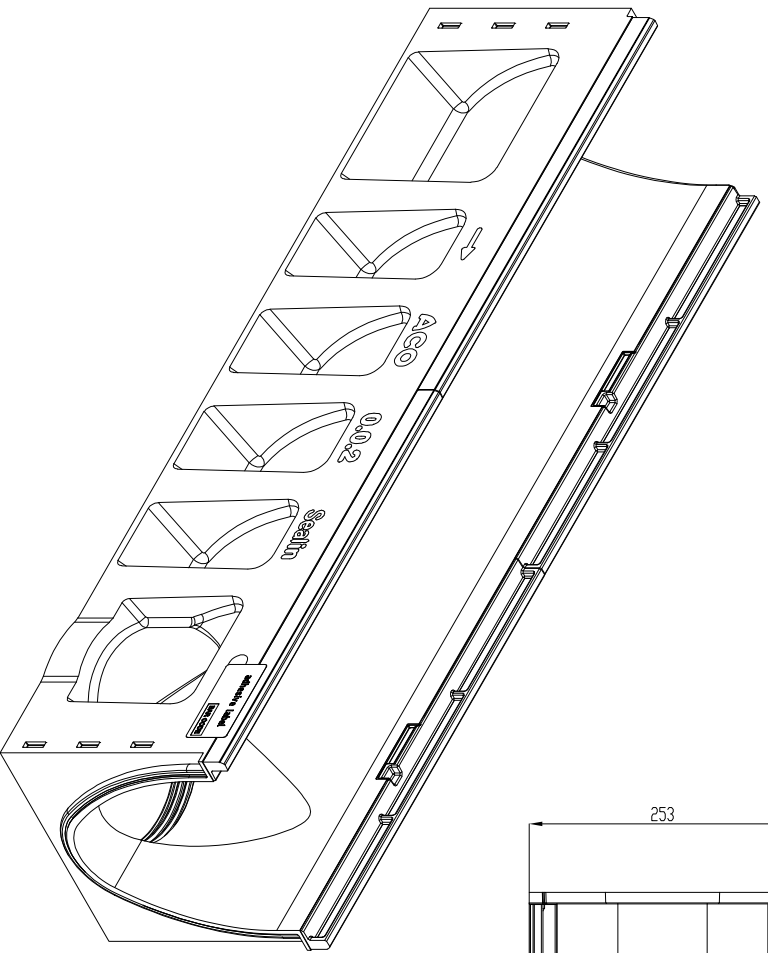
The reproduction, distribution and utilization of this document as well as the communication of its contents to others without express authorization is prohibited. Offenders will be held liable for the payment of damages. All rights reserved in the event of the grant of a patent, utility model or design. Infringe copyright by VSD 1846

release date:

sheet 1/1



eingeförnte Lippenabryrnrth-
dichtung DN/DD 160



local article number: 152434

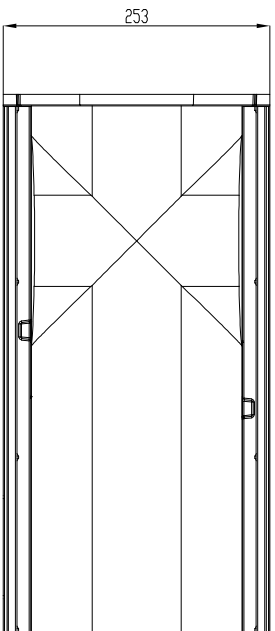
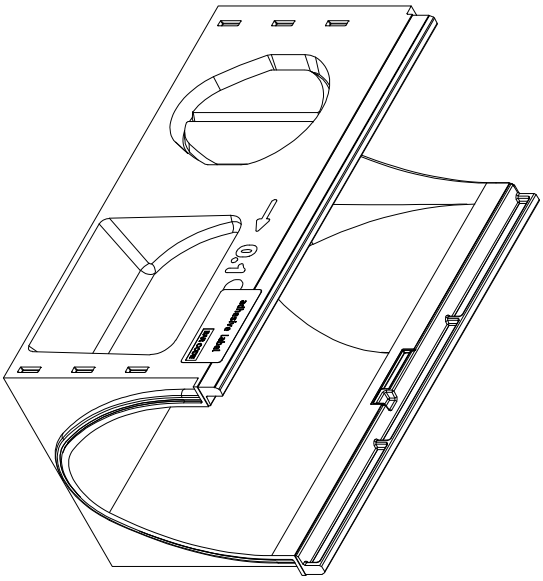
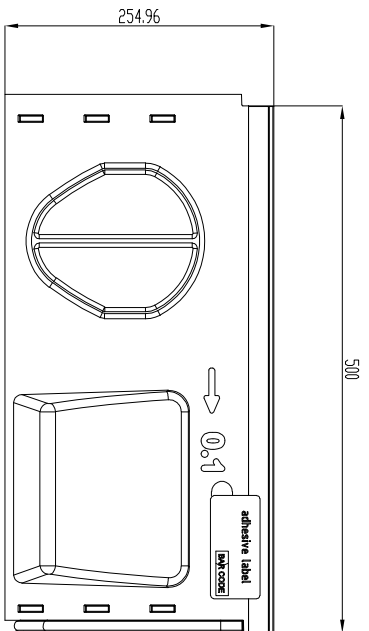
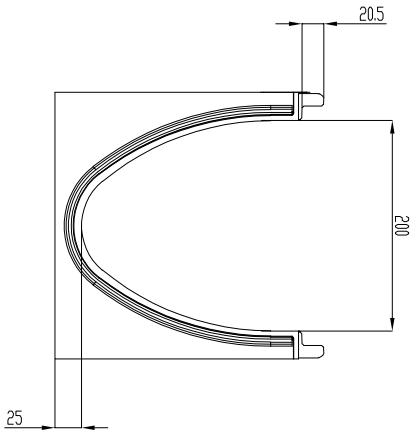
title	ACO PowerDrain V 200 G Seal in Rinne	drawing no:	1081241-M	index	D	document type	marketing dr.w.
Art.-Nr.	152434	created by:		reviewed by:		projection	1:3
							scale

ACO PowerDrain V 200 G Seal in Rinne
Typ 002, mit Lippenabryrnrth-Dichtung DN/DD 200, L= 1,0 m, Kartenschutz Gusseisen

The reproduction, distribution and utilization of this document as well as the communication of its contents to others without express authorization is prohibited. Offenders will be held liable for the payment of damages. All rights reserved in the event of a patent, utility model or design. Design copyright by ISO 16016

release date

sheet 1/1



local article number: 152431

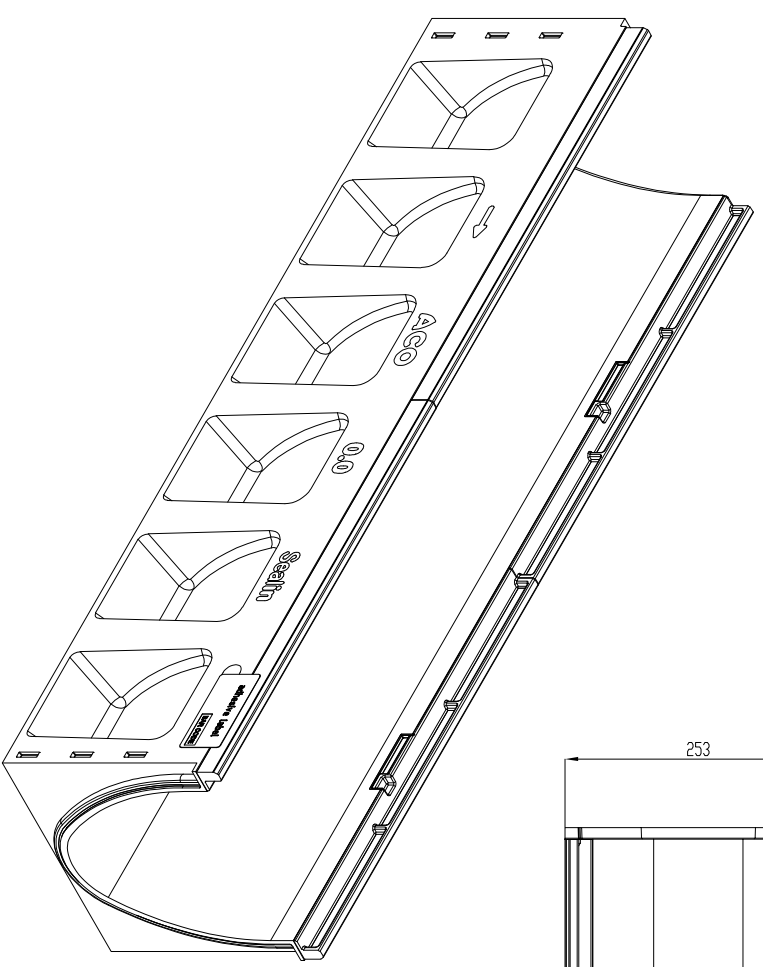
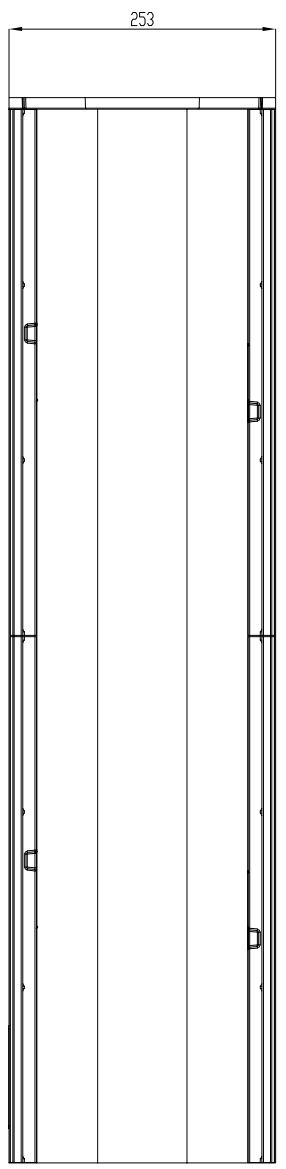
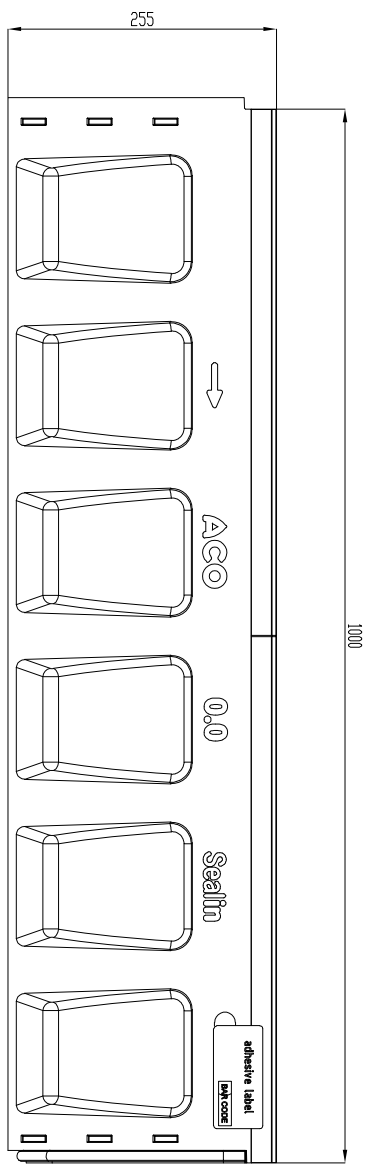
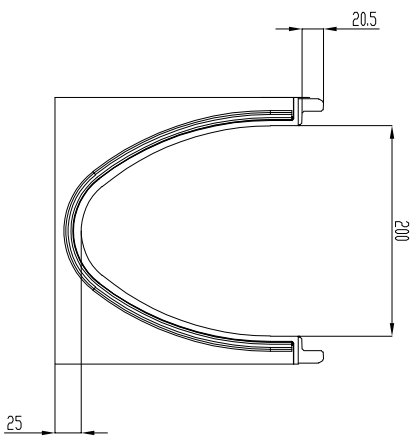
created by:	drawing no:	index:	documenttype:
reviewed by:	108006-M	D	marketing_drw.
			projection:1st-E
			scale: 1:1

Title:
ACD PowerDrain V 200 G Seal in Rinne
Typ 01, L= 0,5 m, mit Kontenschutz Gussseisen
Art.-Nr. 152431

The reproduction, distribution and utilization of this document as well as the communication of its contents to others without express authorization is prohibited. Offenders will be held liable for the payment of damages. All rights reserved in the event of the grant of a patent, utility model or design. Dismiss copyright by ISD 16016

release date:

sheet: 1/1



local article number: 152430

created by:	drawing no:	index:	document type:
reviewed by:	1078881-M	E	marketing dr.w.
			projection: 1st-E
			scale: 1:1

Title:
 ACO PowerDrain V 200 G Seal in Rinne
 Typ 00, L= 10 m, mit Kantenschutz Gussseisen
 Art.-Nr. 152430

The reproduction, distribution and utilization of this document as well as the communication of its contents to others without express authorization is prohibited. Offenders will be held liable for the payment of damages. All rights reserved in the event of the grant of a patent, utility model or design. Dismiss copyright by ISO 15016

release date: sheet: 1/1