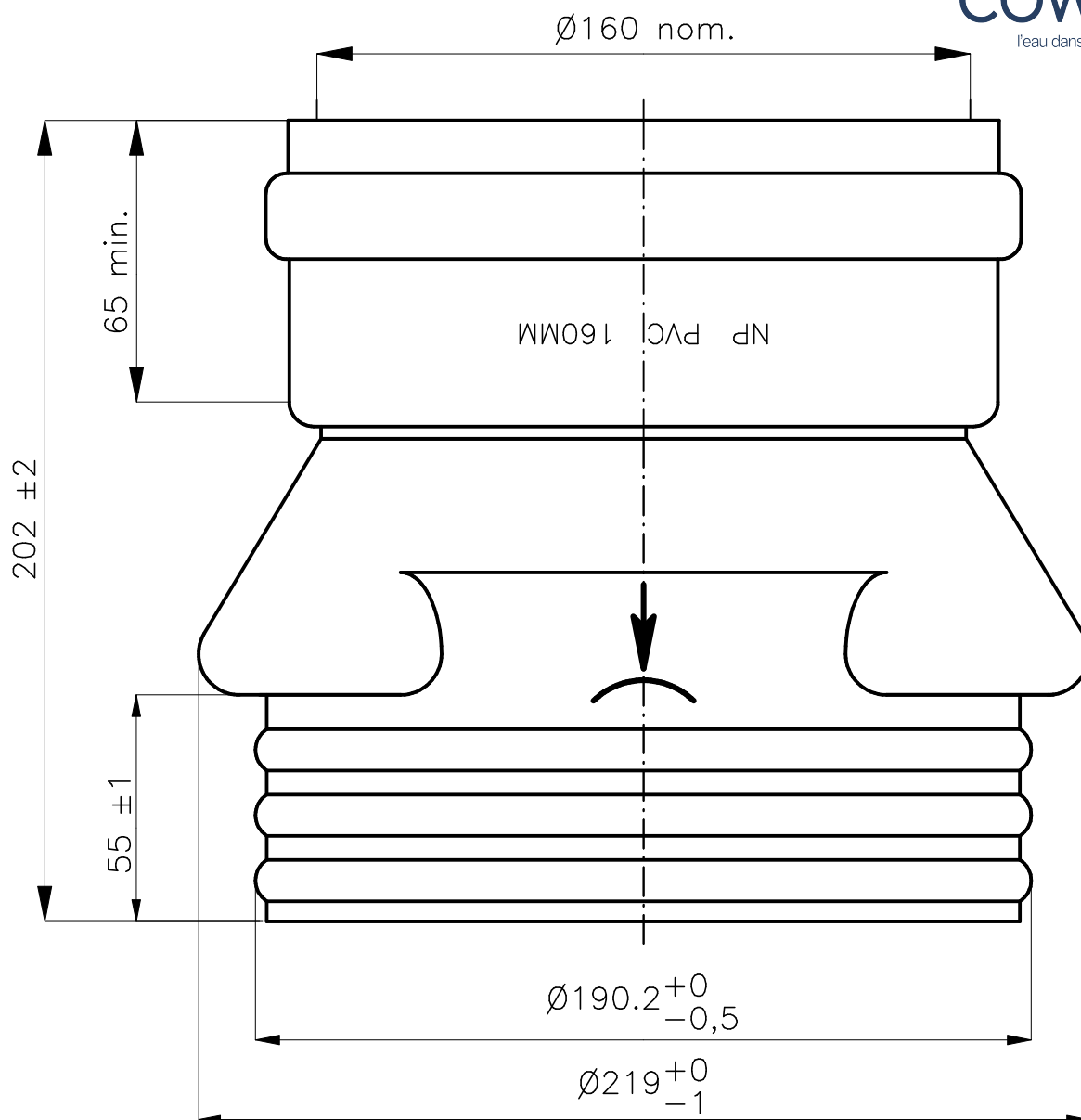




COWALCA

l'eau dans tous ses états



VOOR STEEKMOF ZIE TEK. NO.: XX-14-160  
 VOOR MANCHET ZIE TEK. NO.: 4386000000  
 VOOR BUITENMANCHET ZIE TEK. NO.: 51000250000

TE BOREN GAT IN BETONBUIS: Ø201 +0 / -2

WIJZ./MOD.:02	MATERIAAL/MATERIAL: PVC	PROJ.	SCHAAL/SCALE:
DATUM/DATE:01-03-01	KLEUR/COLOR: RAL 7037		DATUM/DATE: 20-0-2000
ORDERNR:	OPM./REMARK:		GET./DRAWN: JGCV
			GEZ./CHECKED:

INDRUKMOF VERSTERKTE STOOTRAND H=202 Ø160

A4

TEKENINGNR./DRAWINGNO.:  
81003560000-02

### Concrete connectors

Universal push-in connector. Applicable on a concrete pipe in diameter 400 mm or bigger.

**Assembly:** For horizontal or vertical application



1

Drilling of hole with a diamond drill, upright to the pipe  
Drill hole  $\varnothing$  200 mm +/- 1 mm.  
Cleaning of the borehole.



2

Position the rubber sealing ring in the drilled hole with the small and inscribed brace in the direction of current. Push the brace firmly into the pipe. Do not use any grease or lubricant when installing the sealing ring.



3

The smaller and inscribed brace of the sealing ring.



4

Apply the lubricant or grease on the inside of the rubber sealing ring.



5

Position the PVC connector centric in the rubber sealing ring. Please note that the notch in the PVC connector points in the direction of current.



6

Take care the rubber braces/tabs will be placed between the notches of the connector and will be visible after assembly. Push in the PVC connector till it rests on the concrete pipe.

The standpipe must be squared. Edges should be smoothed and slightly chamfered. After installation the pipe may not rotate more than  $3^\circ$  compared to the connector.



Max.  $3^\circ$

Max.  $90^\circ$

Within an angle of  $90^\circ$  compared to the upper side of the pipe.



The connectors are KOMO (NL) and BENOR (B) certified.